



US00D616934S

(12) **United States Design Patent**
To

(10) **Patent No.:** **US D616,934 S**
(45) **Date of Patent:** **** Jun. 1, 2010**

(54) **SINGLE LEVER RING MECHANISM HAVING RECTILINEAR BINDER RINGS**

3,404,685 A 10/1968 Vernon
3,827,111 A 8/1974 O'Connell
4,552,478 A 11/1985 Cohen
4,792,253 A 12/1988 Jacobson

(75) Inventor: **Chun Yuen To**, Hong Kong (CN)

(Continued)

(73) Assignee: **World Wide Stationery Mfg. Co., Ltd.**,
Hong Kong (CN)

OTHER PUBLICATIONS

(**) Term: **14 Years**

World Wide Stationery Manufacturing Company Limited, publication date unknown (A).

(21) Appl. No.: **29/330,295**

(Continued)

(22) Filed: **Jan. 5, 2009**

Primary Examiner—Elizabeth A Albert
Assistant Examiner—Kelley A Donnelly
(74) *Attorney, Agent, or Firm*—Senniger Powers LLP

Related U.S. Application Data

(62) Division of application No. 29/275,751, filed on Jan. 5, 2007, now Pat. No. Des. 585,935.

(57) **CLAIM**

(30) **Foreign Application Priority Data**

Jun. 7, 2006 (CN) 2006 3 0131068
Jun. 7, 2006 (CN) 2006 3 0131069

The ornamental design for a single lever ring mechanism having rectilinear binder rings, as shown and described.

DESCRIPTION

(51) **LOC (9) Cl.** **19-04**

(52) **U.S. Cl.** **D19/32**

(58) **Field of Classification Search** D19/32,
D19/26-30, 49, 100; 402/26, 31, 36, 38,
402/39, 41; 281/45-51, 3.1, 15.1, 21.1, 22
See application file for complete search history.

FIG. 1 is a perspective of a single lever ring binder mechanism having rectilinear binder rings;

FIG. 2 is a top plan view thereof;

FIG. 3 is an enlarged view of a portion of thereof;

FIG. 4 is a bottom plan view of FIG. 1;

FIG. 5 is a right side elevational view of FIG. 1, the left side elevational view being a mirror image thereof;

FIG. 6 is a rear end view of FIG. 1;

FIG. 7 is an enlarged view of a portion of FIG. 6; and,

FIG. 8 is a front end view of FIG. 1.

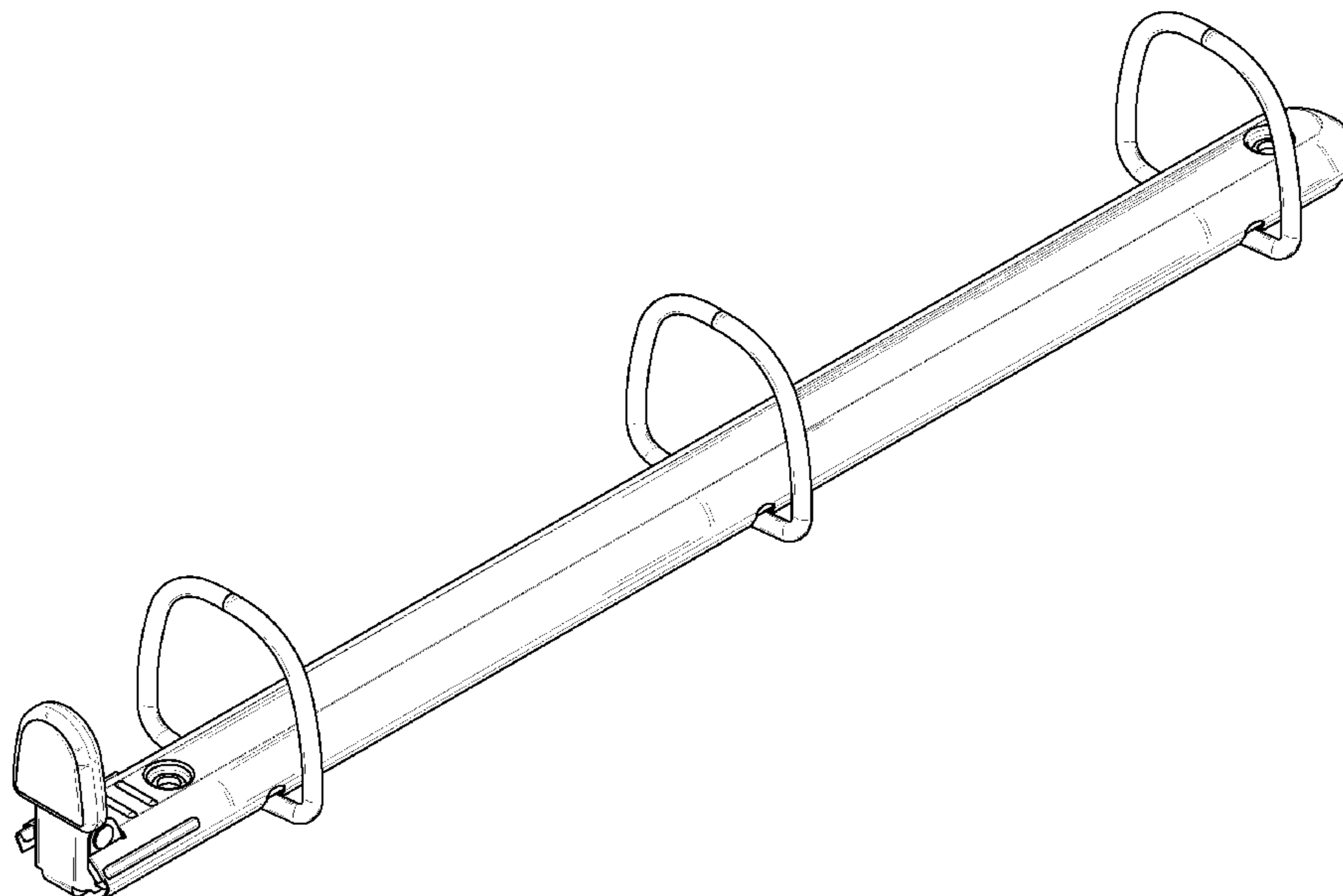
The broken lines are for environmental purposes only and form no part of the claimed design.

(56) **References Cited**

U.S. PATENT DOCUMENTS

1,473,354 A 11/1923 Nachtrieb
RE18,806 E 4/1933 Dawson
2,103,307 A * 12/1937 Unger 402/38
2,218,105 A 10/1940 Griffin
2,371,474 A 3/1945 Seelman
2,673,564 A 3/1954 Derringer
3,263,687 A 8/1966 Weichert

1 Claim, 8 Drawing Sheets



US D616,934 S

Page 2

U.S. PATENT DOCUMENTS

| | | | | | | | | | |
|--------------|------|---------|-------------------|--------|--|--|--|--|--|
| 5,106,222 | A | 4/1992 | D'Amore | | | | | | |
| D325,928 | S | 5/1992 | Bourgeois | | | | | | |
| 5,332,327 | A | 7/1994 | Gillum | | | | | | |
| D356,112 | S | 3/1995 | Constantine | | | | | | |
| D377,805 | S | 2/1997 | To | | | | | | |
| D382,593 | S | 8/1997 | To | | | | | | |
| 5,718,529 | A | 2/1998 | Chan | | | | | | |
| D392,997 | S | 3/1998 | Chan | | | | | | |
| 5,772,348 | A * | 6/1998 | To | 402/36 | | | | | |
| D408,851 | S | 4/1999 | To | | | | | | |
| 5,971,649 | A | 10/1999 | To | | | | | | |
| 5,975,785 | A | 11/1999 | Chan | | | | | | |
| 5,980,146 | A | 11/1999 | To | | | | | | |
| 6,007,266 | A | 12/1999 | Cheng | | | | | | |
| 6,033,144 | A | 3/2000 | Ng | | | | | | |
| 6,045,286 | A | 4/2000 | Tung | | | | | | |
| D426,571 | S | 6/2000 | To | | | | | | |
| D433,445 | S | 11/2000 | To | | | | | | |
| D434,071 | S | 11/2000 | To | | | | | | |
| 6,142,697 | A | 11/2000 | Williams | | | | | | |
| 6,217,247 | B1 | 4/2001 | Ng | | | | | | |
| 6,749,357 | B2 * | 6/2004 | Cheng | 402/19 | | | | | |
| 6,758,621 | B2 | 7/2004 | To | | | | | | |
| 7,241,067 | B2 | 7/2007 | Cheng | | | | | | |
| 7,275,886 | B2 * | 10/2007 | Cheng | 402/73 | | | | | |
| 7,296,946 | B2 | 11/2007 | Cheng et al. | | | | | | |
| 7,404,685 | B2 * | 7/2008 | Cheng | 402/38 | | | | | |
| D582,477 | S | 12/2008 | To | | | | | | |
| D585,935 | S * | 2/2009 | To | D19/32 | | | | | |
| 7,491,006 | B2 * | 2/2009 | Whaley | 402/38 | | | | | |
| 7,524,128 | B2 * | 4/2009 | Cheng | 402/35 | | | | | |
| 7,527,449 | B2 | 5/2009 | Petrie | | | | | | |
| 7,530,755 | B2 * | 5/2009 | Whaley | 402/38 | | | | | |
| 7,549,817 | B2 * | 6/2009 | Cheng et al. | 402/19 | | | | | |
| 2004/0037614 | A1 | 2/2004 | Busam | | | | | | |
| 2005/0013654 | A1 * | 1/2005 | Cheng et al. | 402/36 | | | | | |
| 2005/0201818 | A1 * | 9/2005 | Cheng | 402/73 | | | | | |
| 2005/0201819 | A1 * | 9/2005 | Cheng | 402/73 | | | | | |
| 2005/0201820 | A1 * | 9/2005 | Ng et al. | 402/73 | | | | | |
| 2005/0207826 | A1 * | 9/2005 | Cheng et al. | 402/31 | | | | | |
| 2005/0214064 | A1 * | 9/2005 | Ng et al. | 402/73 | | | | | |
| 2005/0232689 | A1 * | 10/2005 | Cheng | 402/36 | | | | | |
| 2006/0147253 | A1 * | 7/2006 | Cheng | 402/38 | | | | | |
| 2006/0216107 | A1 * | 9/2006 | Lin | 402/38 | | | | | |
| 2006/0251467 | A1 | 11/2006 | Cheng | | | | | | |
| 2007/0086836 | A1 | 4/2007 | Cheng | | | | | | |
| 2008/0075526 | A1 * | 3/2008 | Ng et al. | 402/29 | | | | | |

OTHER PUBLICATIONS

World Wide Stationery Manufacturing Company Limited, publication date unknown (B).

World Wide Stationery Manufacturing Company Limited, publication date unknown (C).

* cited by examiner

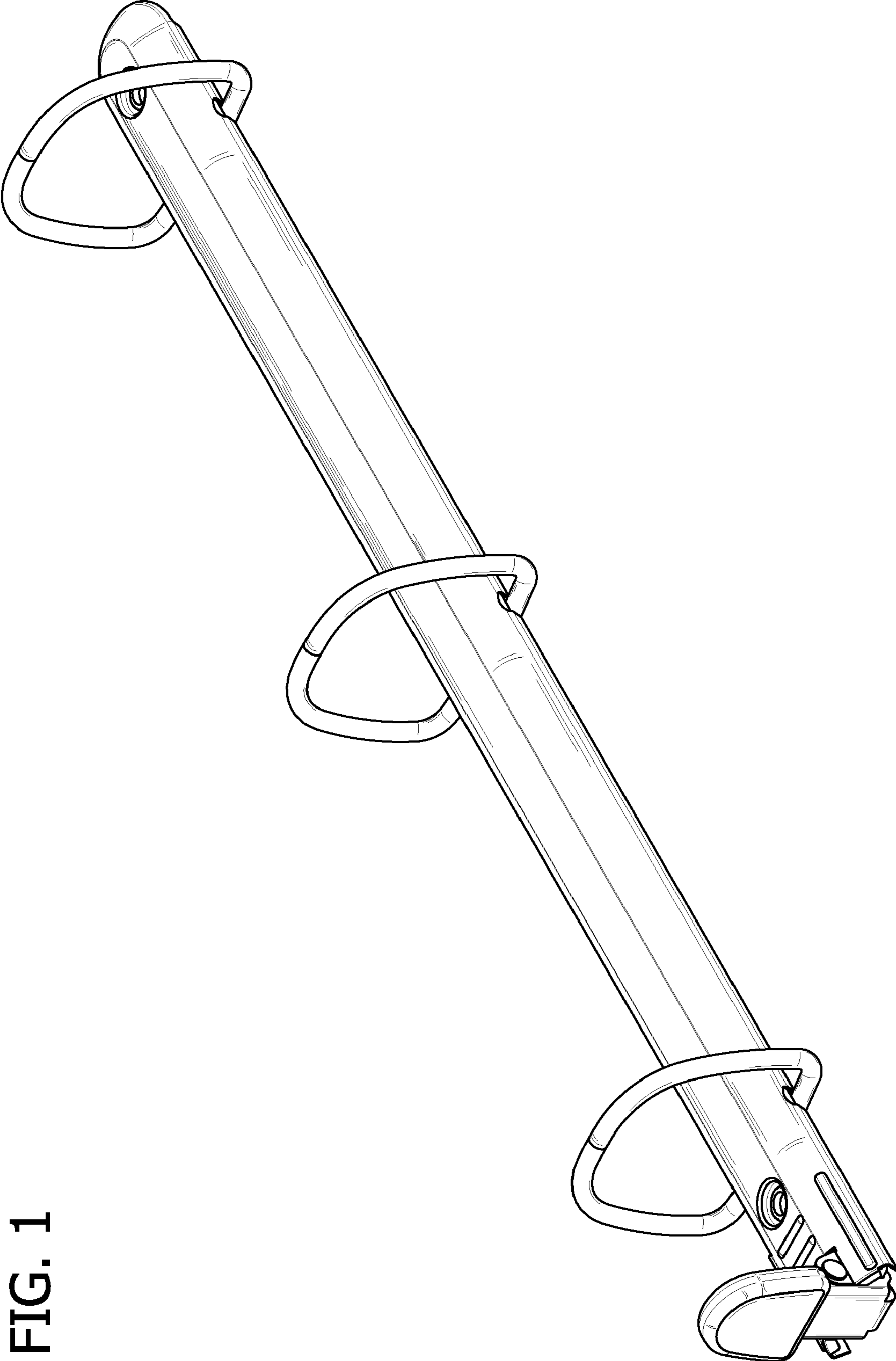


FIG. 1

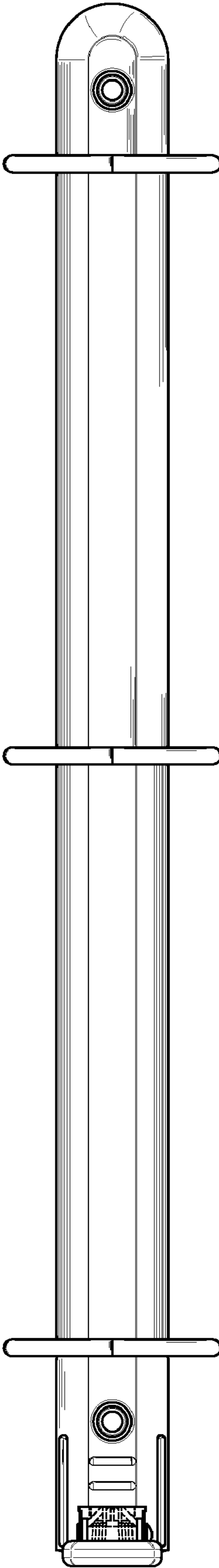


FIG. 2

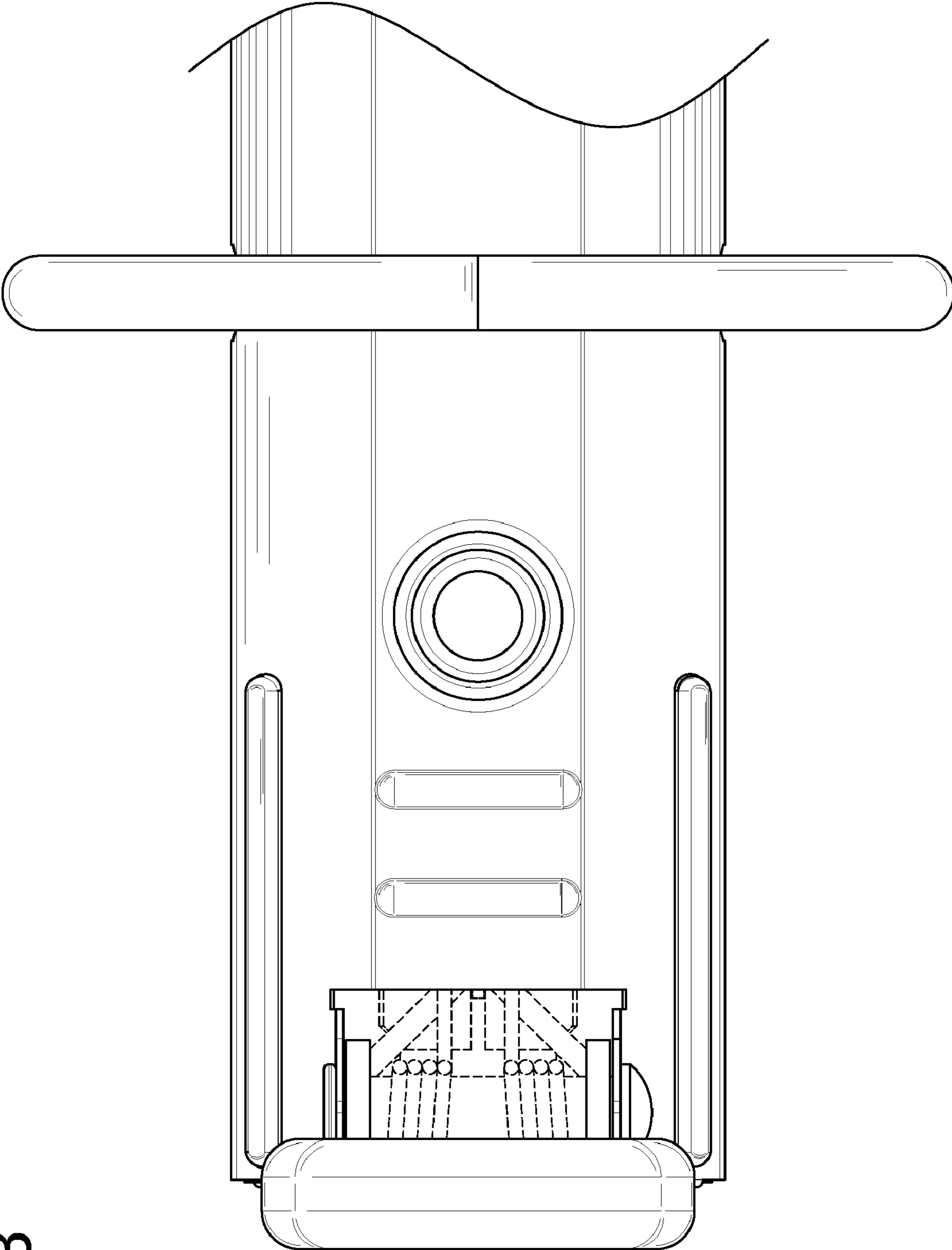


FIG. 3

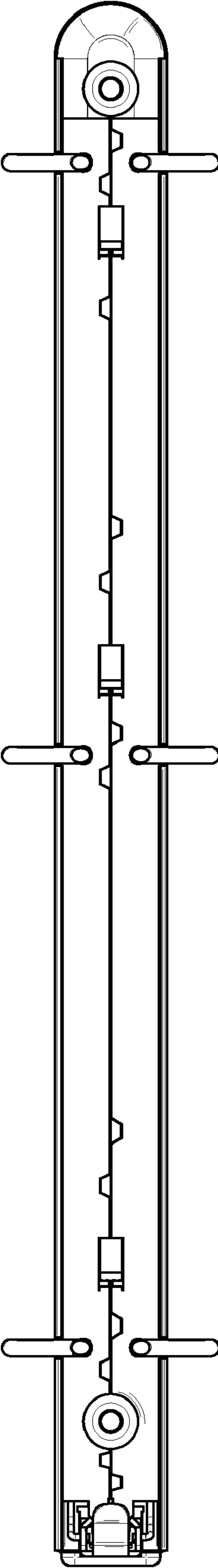


FIG. 4

FIG. 5

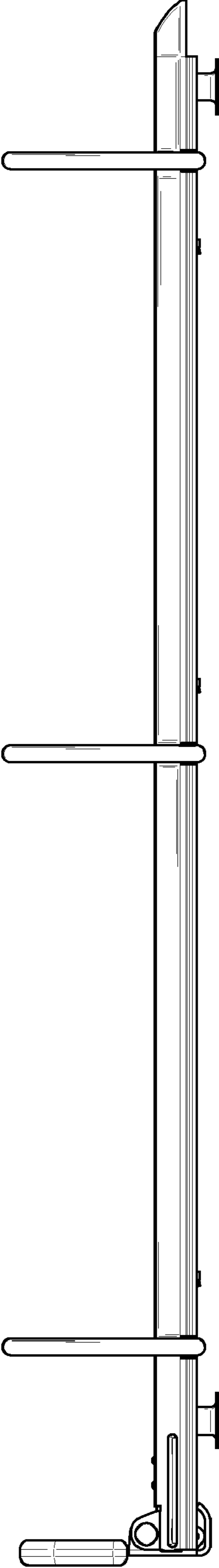


FIG. 6

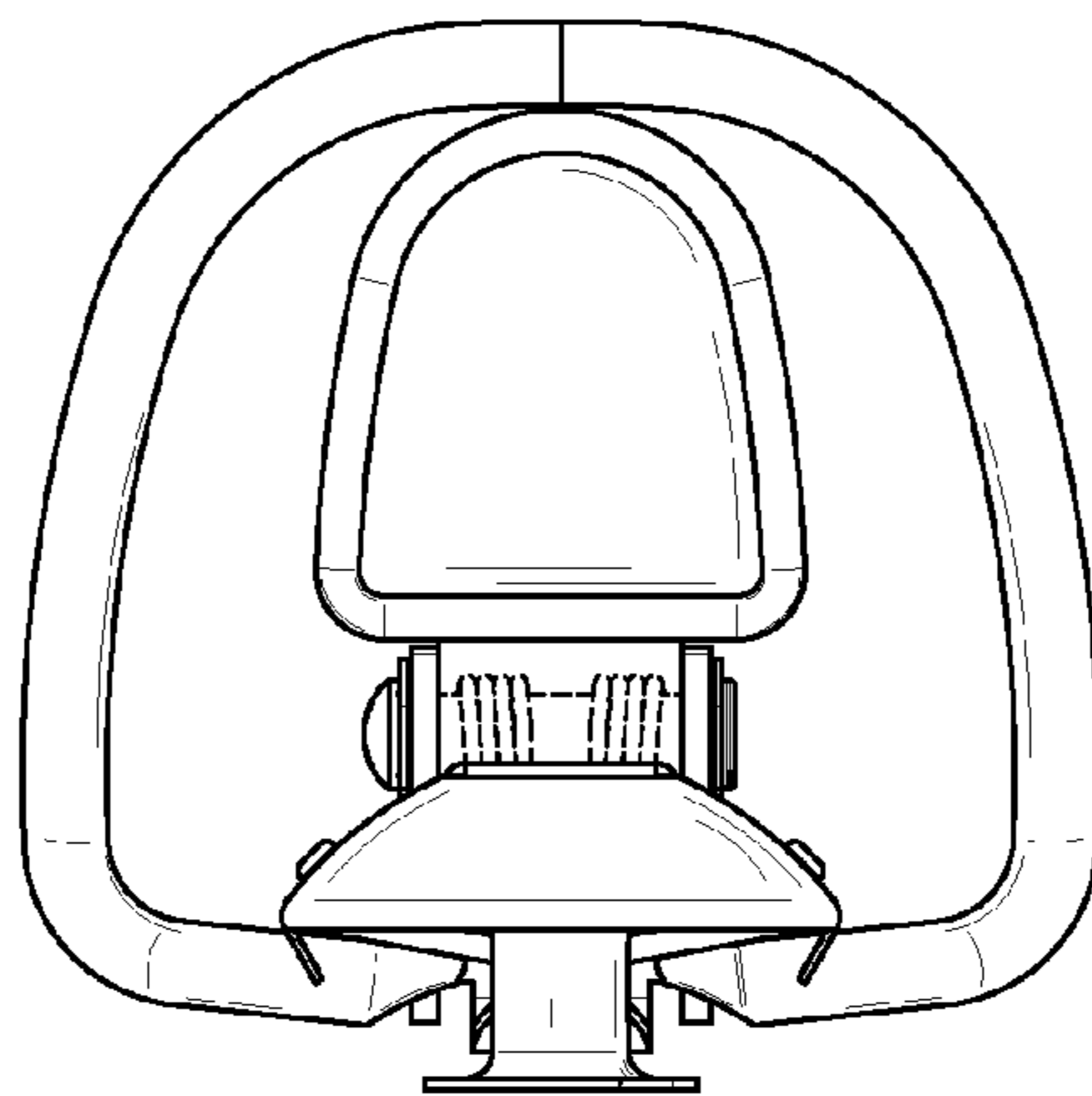


FIG. 7

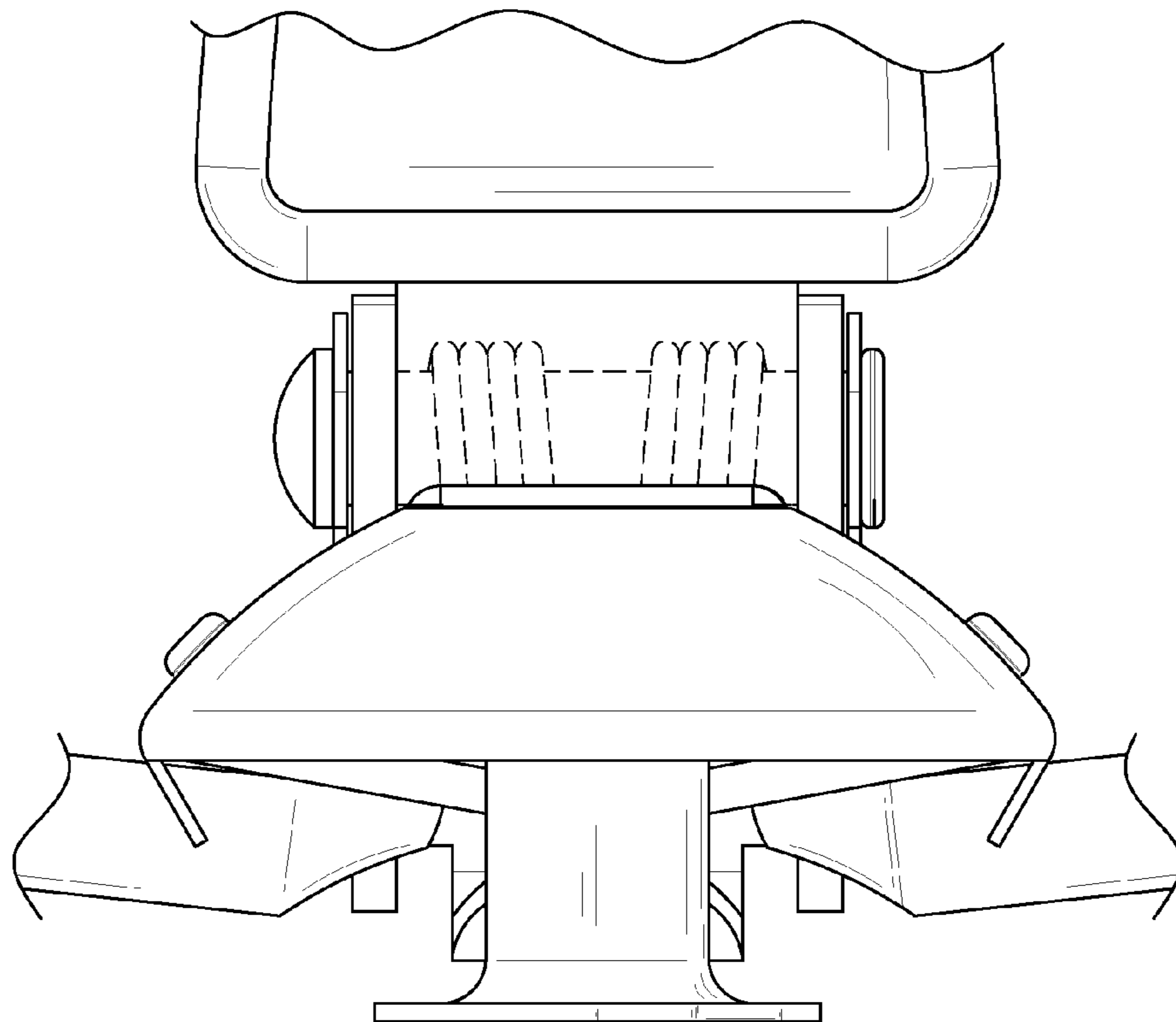


FIG. 8

