

US00D616929S

(12) **United States Design Patent**
Krivanek et al.

(10) **Patent No.:** **US D616,929 S**

(45) **Date of Patent:** **** Jun. 1, 2010**

(54) **VIDEO DISPLAY GREETING CARD**

(75) Inventors: **Douglas L. Krivanek**, Lenexa, KS (US);
Kari Jean Walberg, Overland Park, KS
(US); **Orlanda D. Lacy**, Kansas City,
MO (US)

(73) Assignee: **Hallmark Cards, Incorporated**, Kansas
City, MO (US)

(**) Term: **14 Years**

(21) Appl. No.: **29/353,484**

(22) Filed: **Jan. 8, 2010**

(51) **LOC (9) Cl.** **19-01**

(52) **U.S. Cl.** **D19/1**

(58) **Field of Classification Search** D19/1-34;
40/124.01-124.15, 672, 661, 726, 776, 617;
283/72, 74, 75, 103, 105, 106; 206/449;
D21/385; D20/10, 22, 27, 40, 42, 11; D14/371,
D14/374, 435-437

See application file for complete search history.

(56) **References Cited**

U.S. PATENT DOCUMENTS

D315,365 S *	3/1991	McClain, Jr.	D19/26
D374,036 S *	9/1996	Lin	D19/1
D422,575 S *	4/2000	Tikhonski et al.	D14/374
D469,090 S *	1/2003	Tsuji	D14/374
6,525,706 B1 *	2/2003	Rehkemper et al.	345/87
D497,364 S *	10/2004	Ozolins et al.	D14/374
D515,625 S *	2/2006	Loo	D19/26
D545,359 S *	6/2007	Bramhall	D19/2
D546,824 S *	7/2007	Jackson, Jr.	D14/371

D551,265 S *	9/2007	Brinson	D19/26
D591,341 S *	4/2009	Fagan	D19/3
D605,193 S *	12/2009	Andre et al.	D14/336
D608,825 S *	1/2010	Brett	D19/3

* cited by examiner

Primary Examiner—T. Chase Nelson

Assistant Examiner—David G Muller

(74) *Attorney, Agent, or Firm*—Shook, Hardy & Bacon L.L.P.

(57) **CLAIM**

The ornamental design for a video display greeting card, as shown and described.

DESCRIPTION

FIG. 1 is a front perspective view of a greeting card of the present invention with front panels in a partially open position;

FIG. 2 is a front perspective view thereof with the front panels in a closed position,

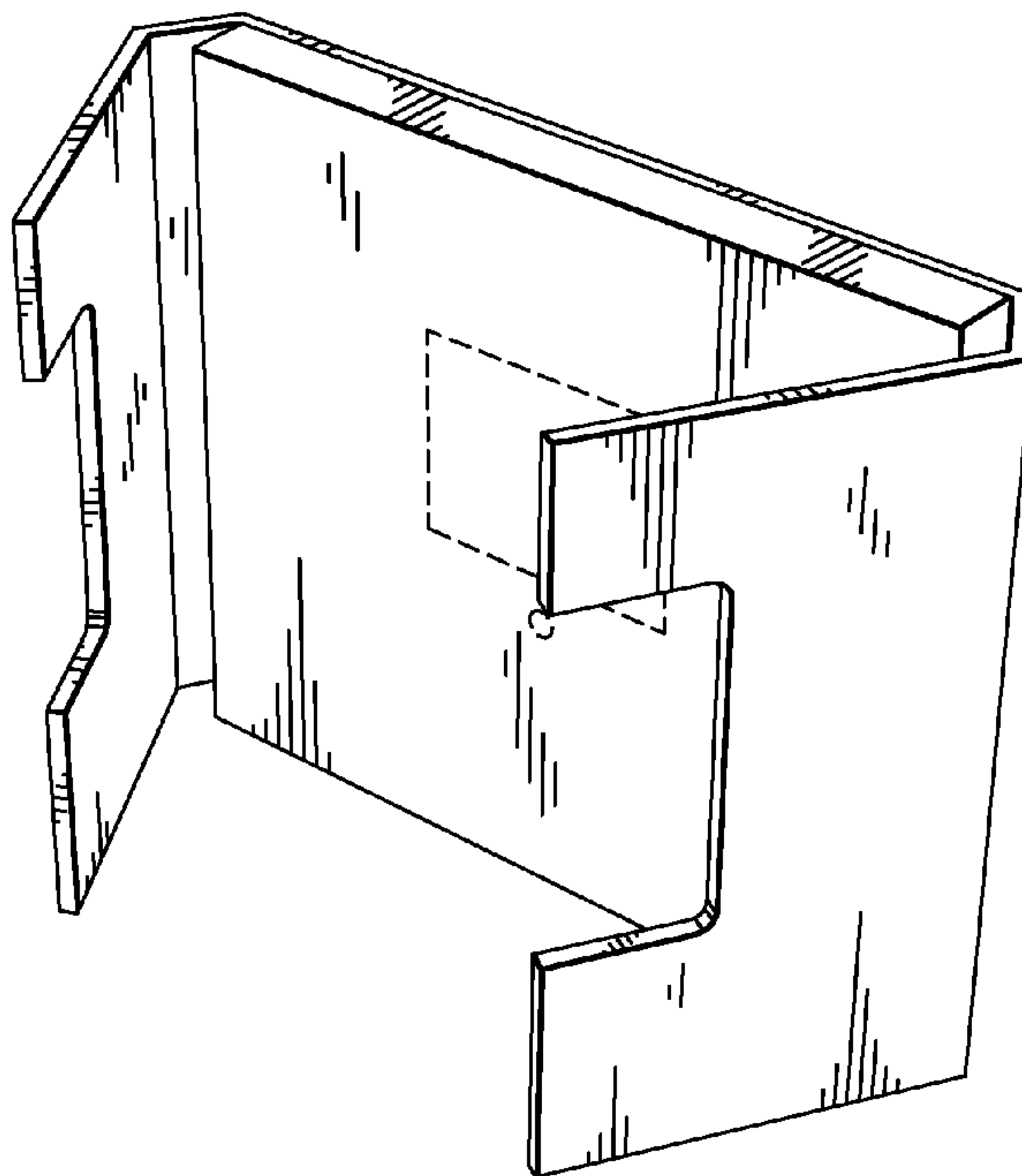
FIG. 3 is a front elevation view thereof with the front panels in the partially open position;

FIG. 4 is a top plan view thereof with the front panels in the partially open position and with a bottom plan view being a mirror image; and,

FIG. 5 is a right side elevation view thereof with the front panels in the partially open position and with a left side elevation view being a mirror image.

A rear elevation view has been omitted as it does not form a portion of the claimed design. The broken lines shown in the drawings are directed to environment, are for informational purposes only, and form no part of the claimed design.

1 Claim, 2 Drawing Sheets



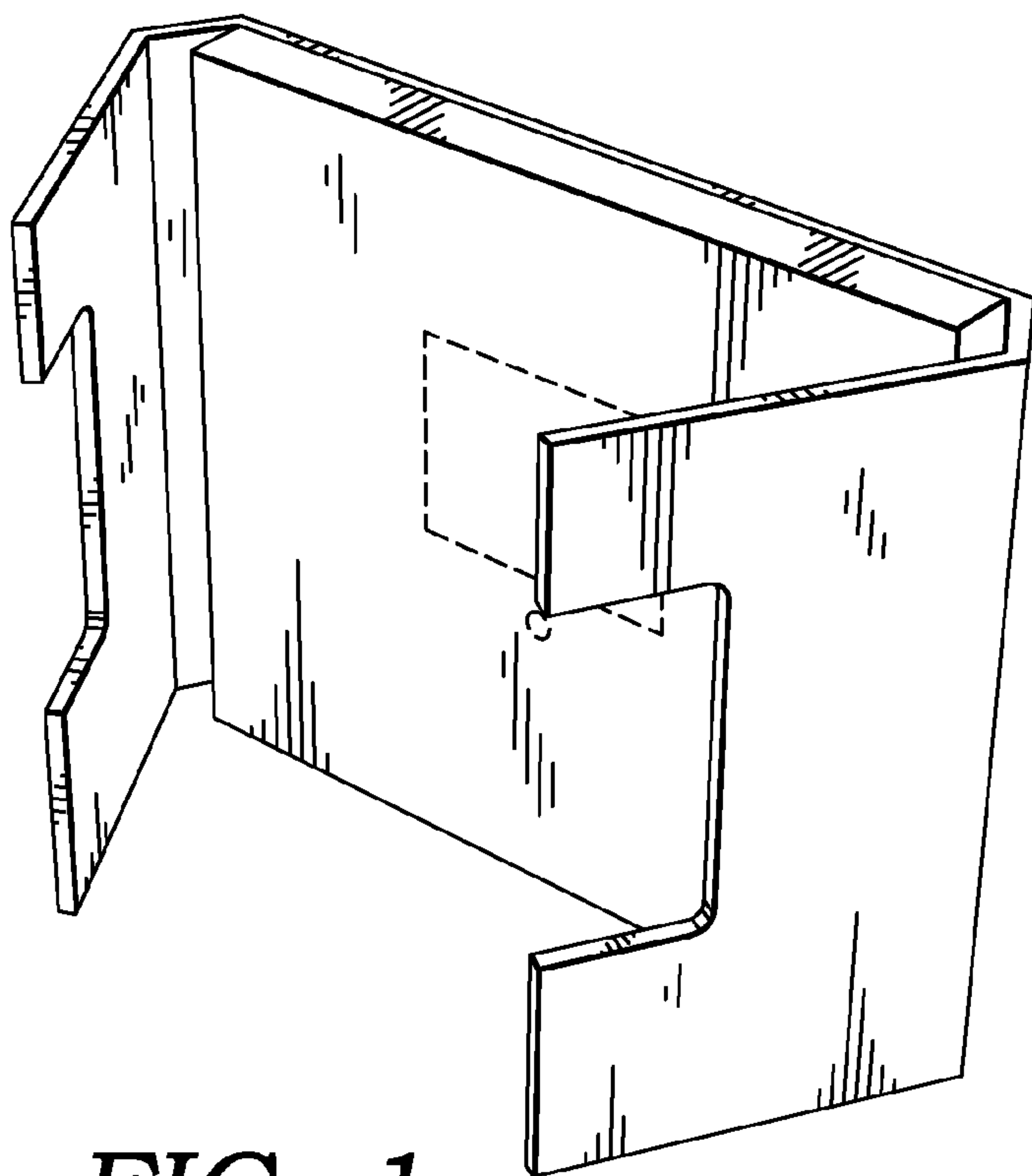


FIG. 1.

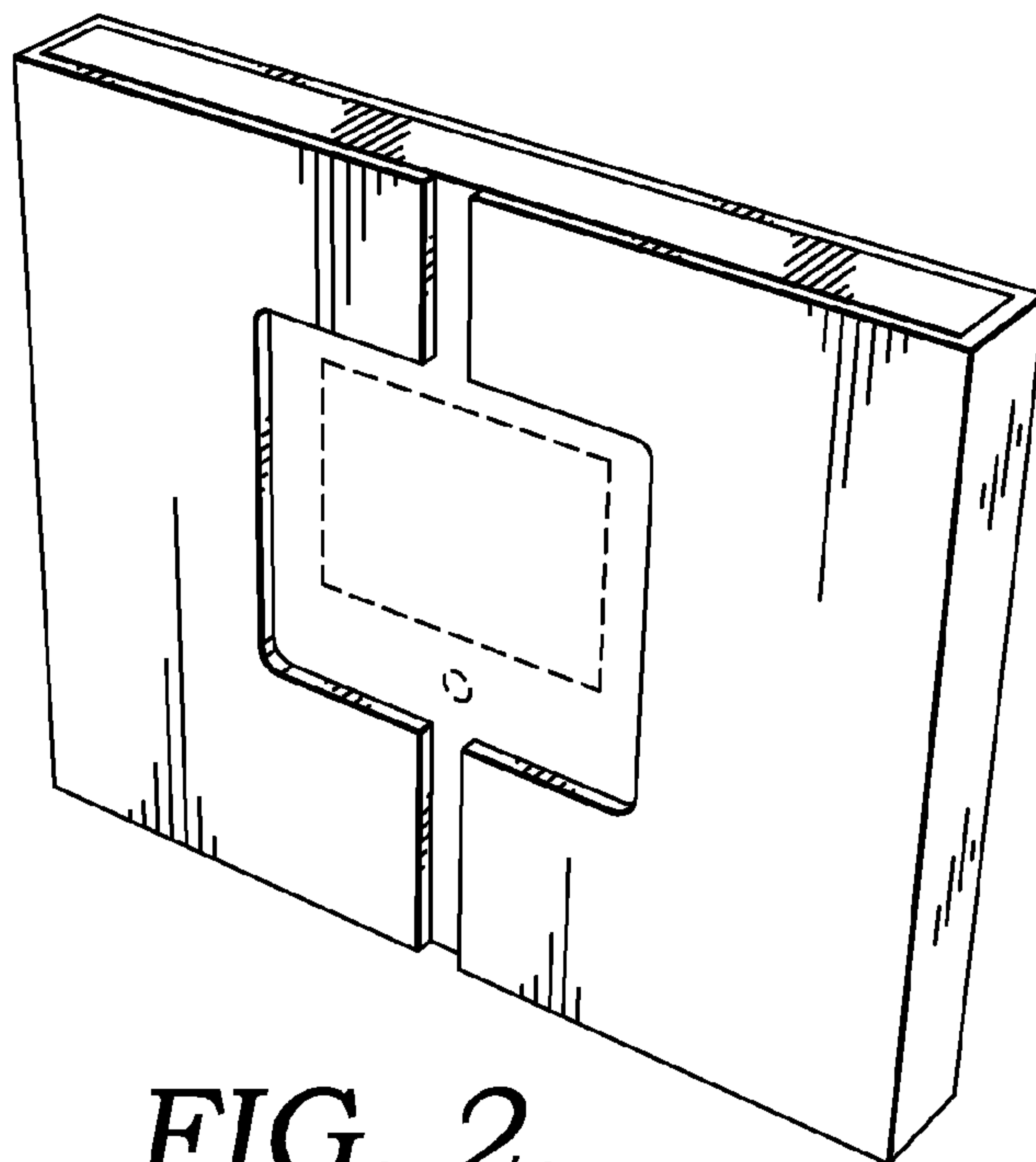


FIG. 2.

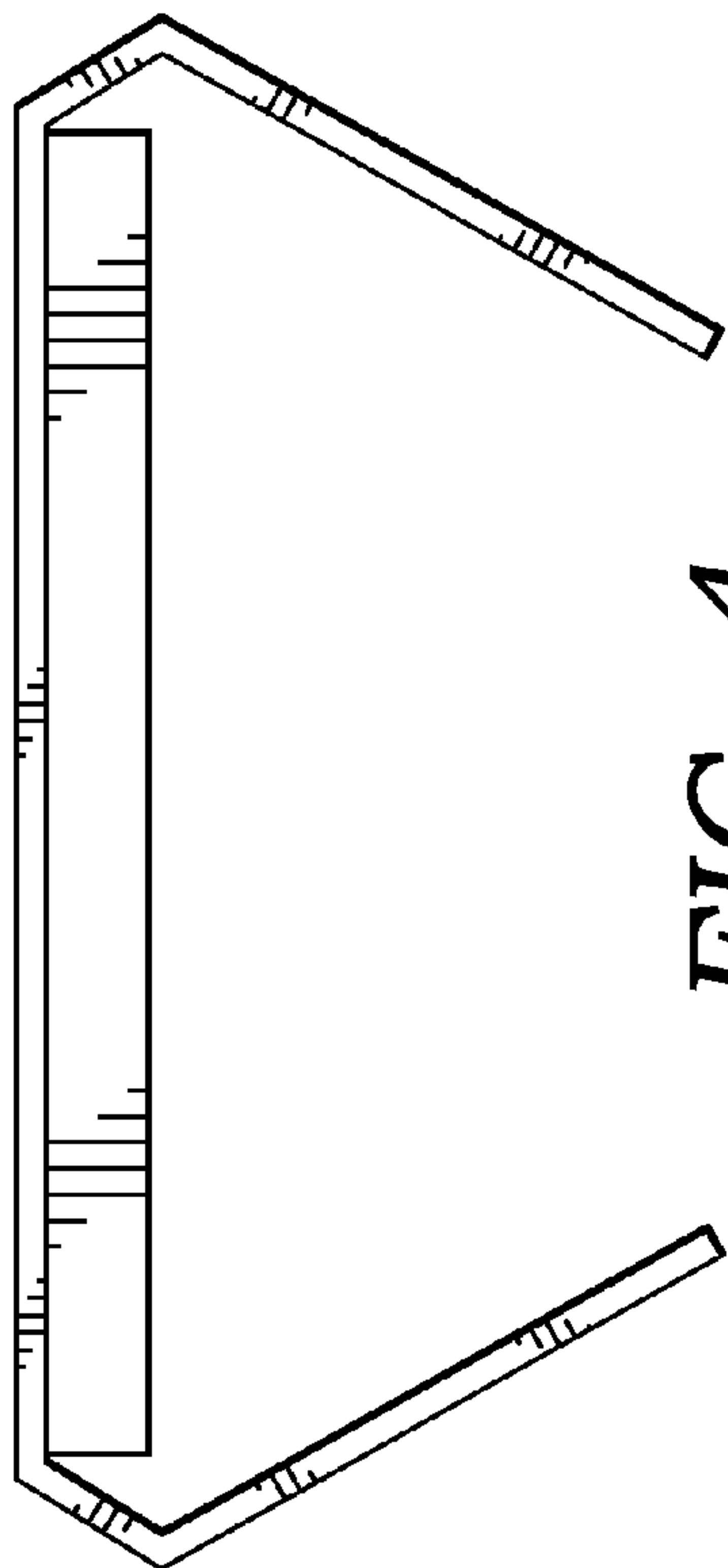


FIG. 4.

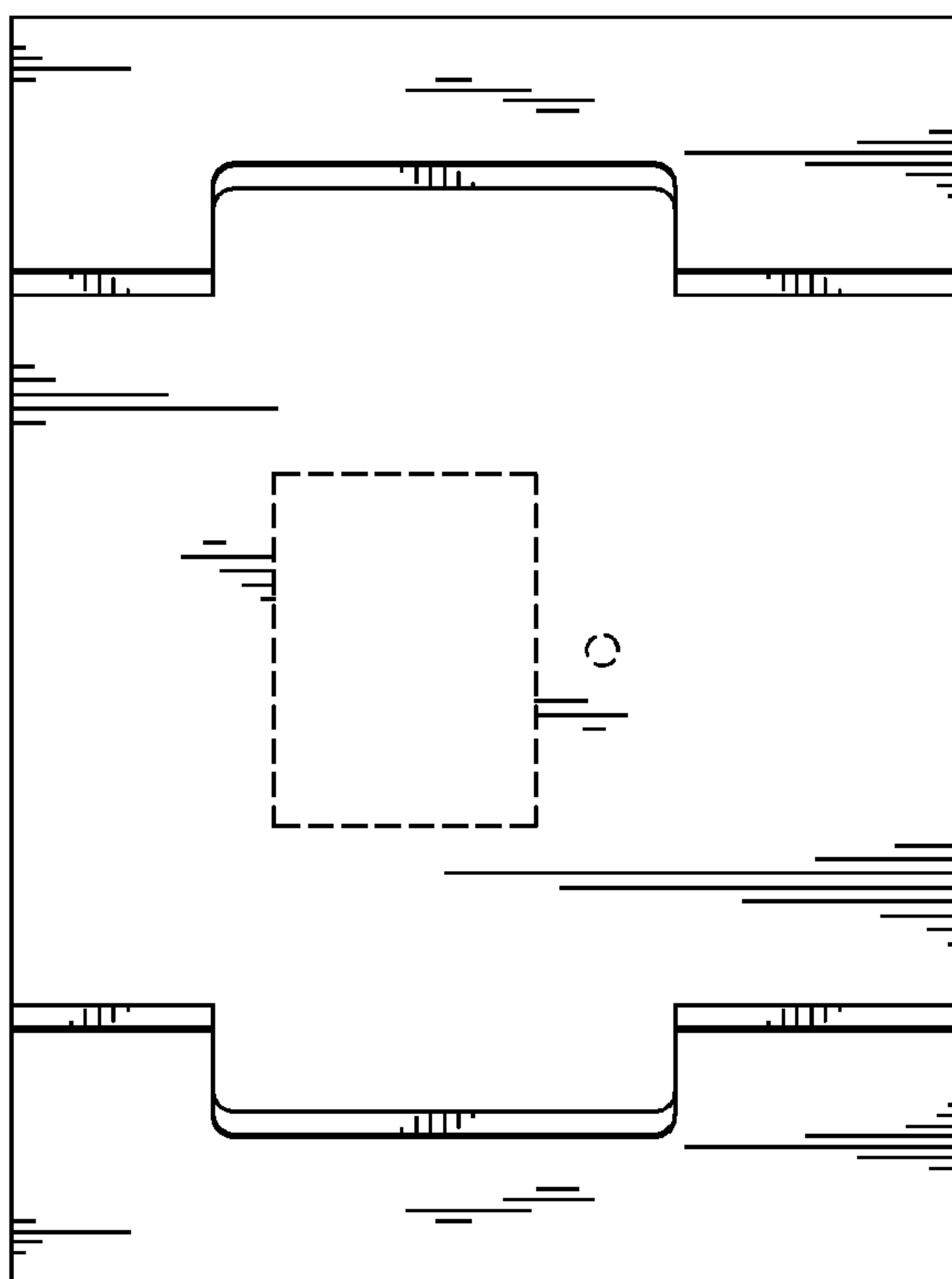


FIG. 3.

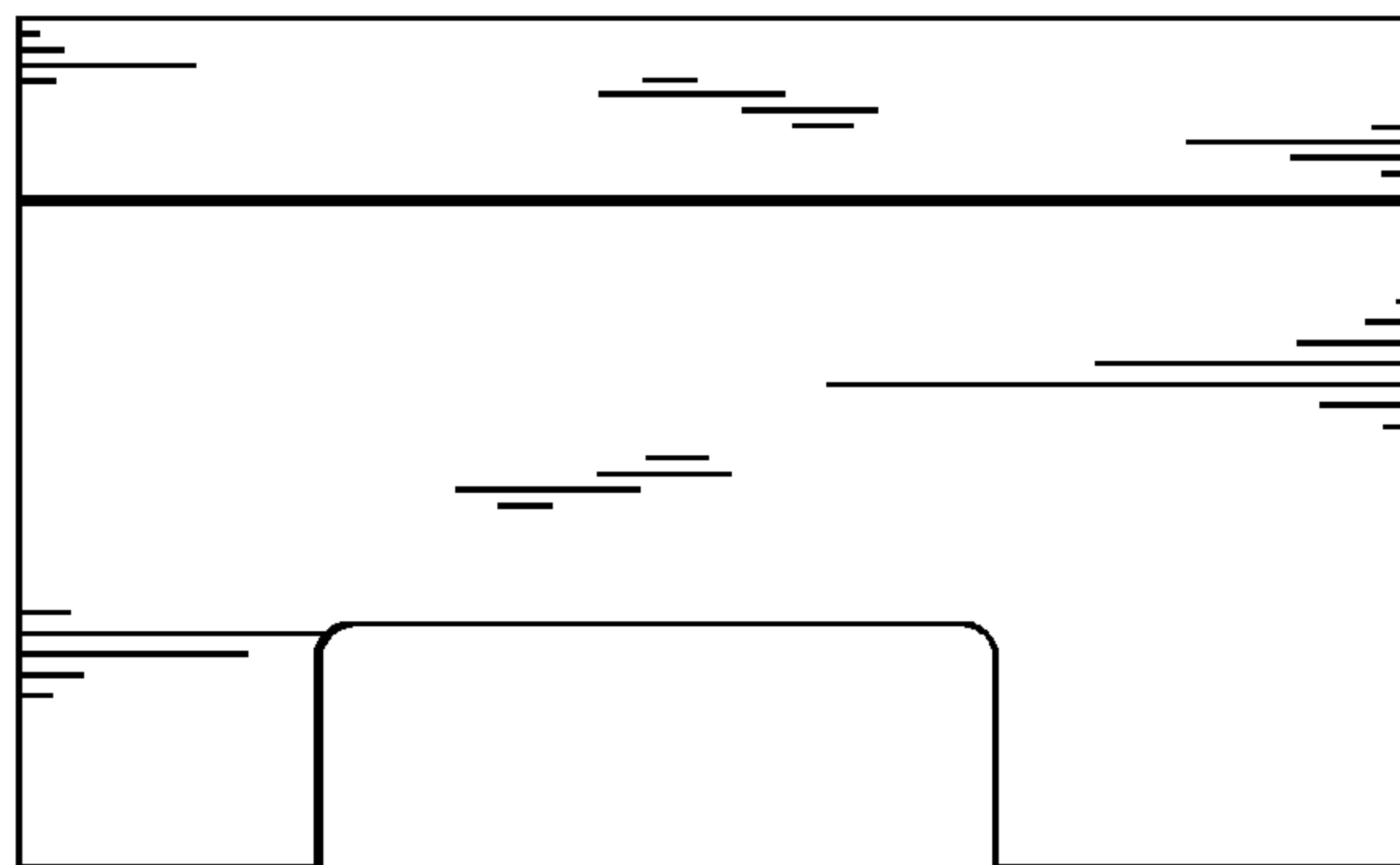


FIG. 5.