



US00D616927S

(12) **United States Design Patent**  
**Suzuki et al.**

(10) **Patent No.:** **US D616,927 S**  
(45) **Date of Patent:** **\*\* Jun. 1, 2010**

(54) **PRINTER**

(75) Inventors: **Jiro Suzuki**, Nagoya (JP); **Yasutake Yamaguchi**, Chiryu (JP)

(73) Assignee: **Brother Industries, Ltd.**, Nagoya (JP)

(\*\*) Term: **14 Years**

(21) Appl. No.: **29/328,510**

(22) Filed: **Nov. 25, 2008**

(30) **Foreign Application Priority Data**

Jul. 31, 2008 (JP) ..... 2008-019844

(51) **LOC (9) Cl.** ..... **14-02**

(52) **U.S. Cl.** ..... **D18/55**

(58) **Field of Classification Search** ..... D18/36-37,  
D18/50, 54, 54.1, 55, 19; D14/420-425,  
D14/463-470; 400/613, 613.1-613.4, 690.1-690.4,  
400/691-694

See application file for complete search history.

(56) **References Cited**

**U.S. PATENT DOCUMENTS**

- D456,834 S \* 5/2002 Fetherolf et al. .... D18/55
- D502,500 S \* 3/2005 Hoshiya et al. .... D18/50
- D534,578 S \* 1/2007 Katayama et al. .... D18/55
- D545,357 S \* 6/2007 Hattori et al. .... D18/55

- D575,330 S \* 8/2008 Egami et al. .... D18/55
- D579,973 S \* 11/2008 Park et al. .... D18/55
- D584,344 S \* 1/2009 Lee et al. .... D18/43
- D586,385 S \* 2/2009 Kim et al. .... D18/55
- D596,227 S \* 7/2009 Larson et al. .... D18/55

\* cited by examiner

*Primary Examiner*—Cathy Anne MacCormac

(74) *Attorney, Agent, or Firm*—Olliff & Berridge, PLC

(57) **CLAIM**

The ornamental design for a printer, as shown and described.

**DESCRIPTION**

FIG. 1 is a perspective view of a printer;

FIG. 2 is a front view thereof;

FIG. 3 is a top view thereof;

FIG. 4 is a right-side view thereof;

FIG. 5 is a left-side view thereof;

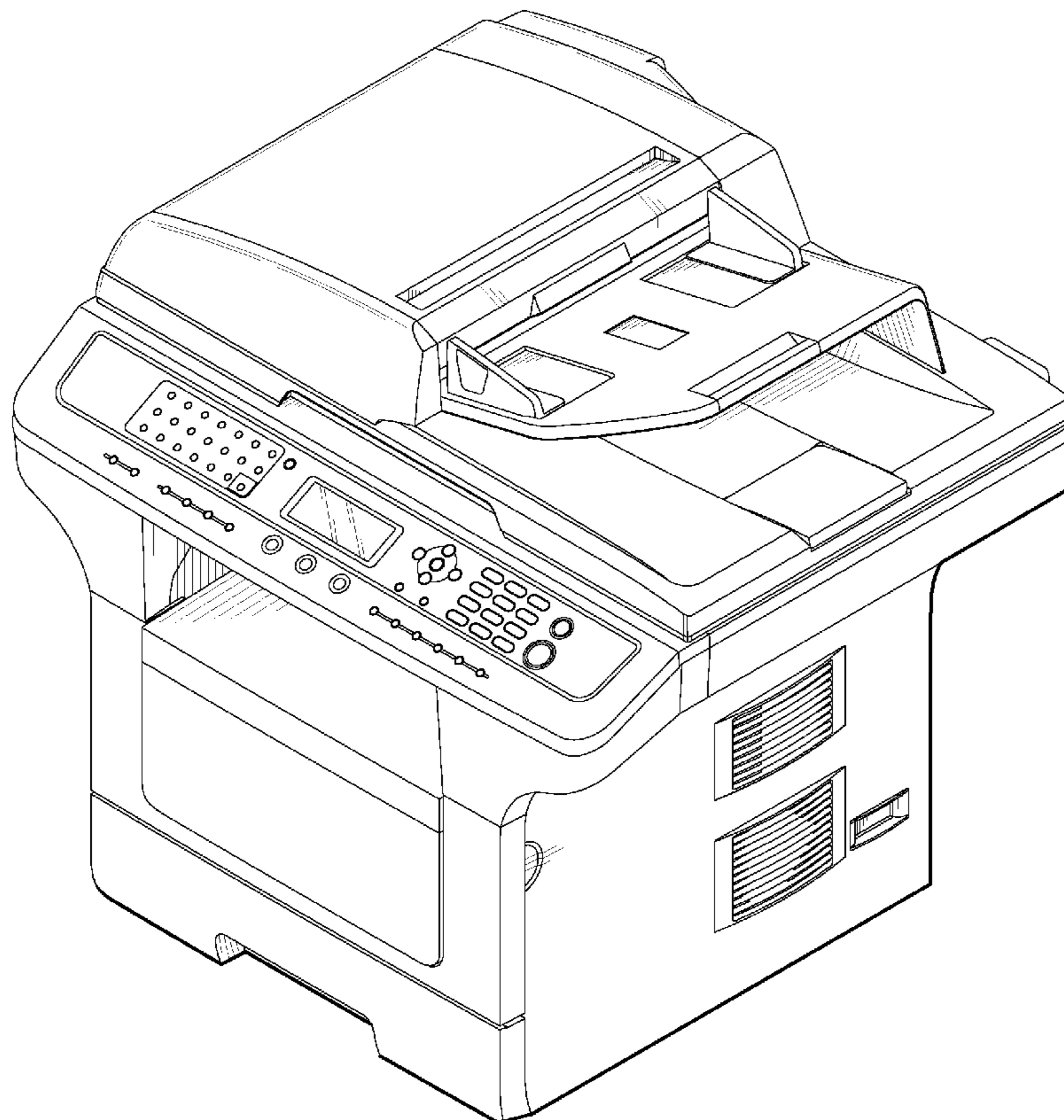
FIG. 6 is a rear view thereof;

FIG. 7 is a bottom view thereof; and,

FIG. 8 is a cross-sectional view thereof taken between line 8'—8' of FIG. 2 and along line 8—8 of FIG. 3.

The broken lines depict environmental subject matter only and form no part of the claimed design.

**1 Claim, 8 Drawing Sheets**



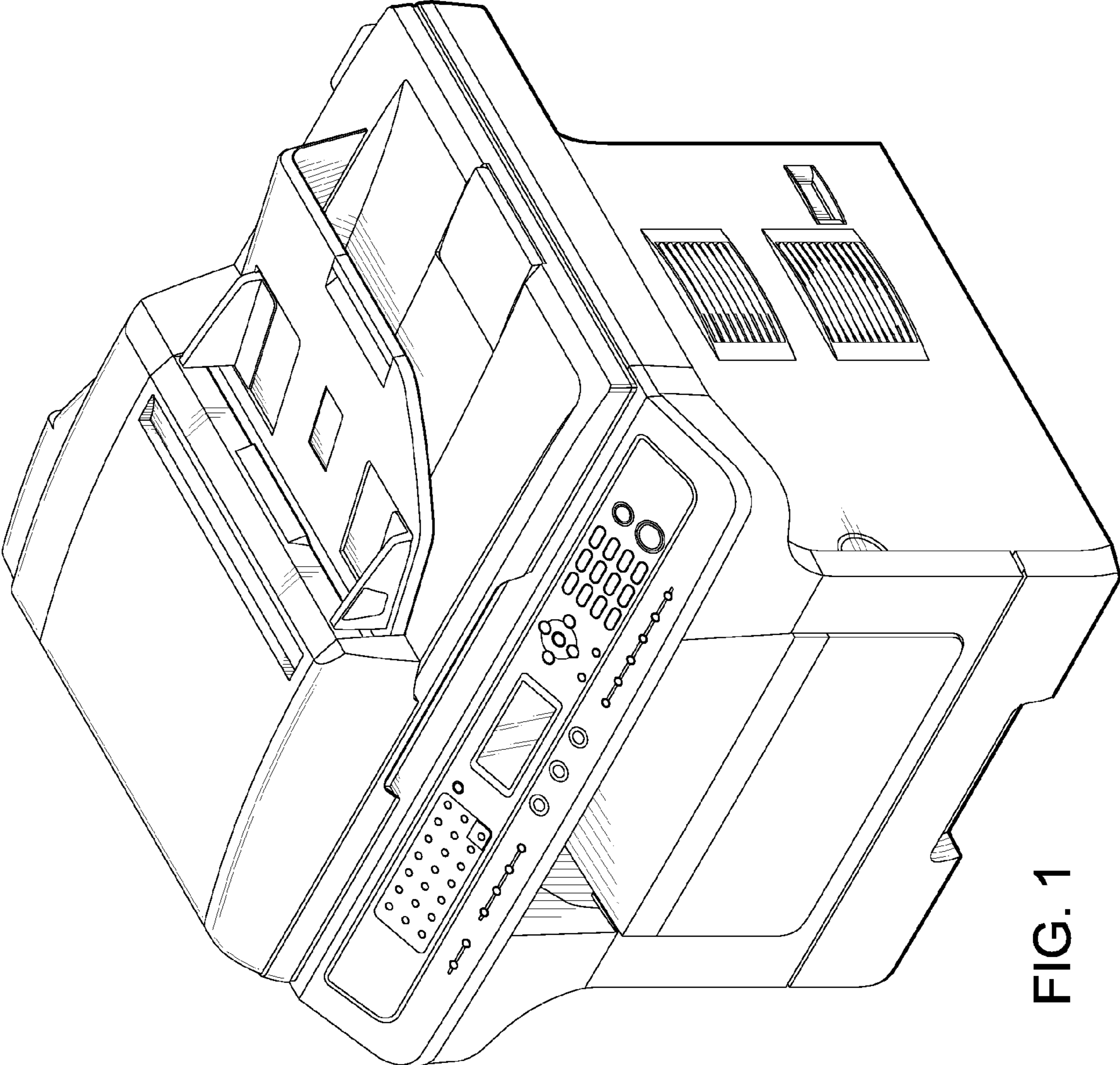


FIG. 1

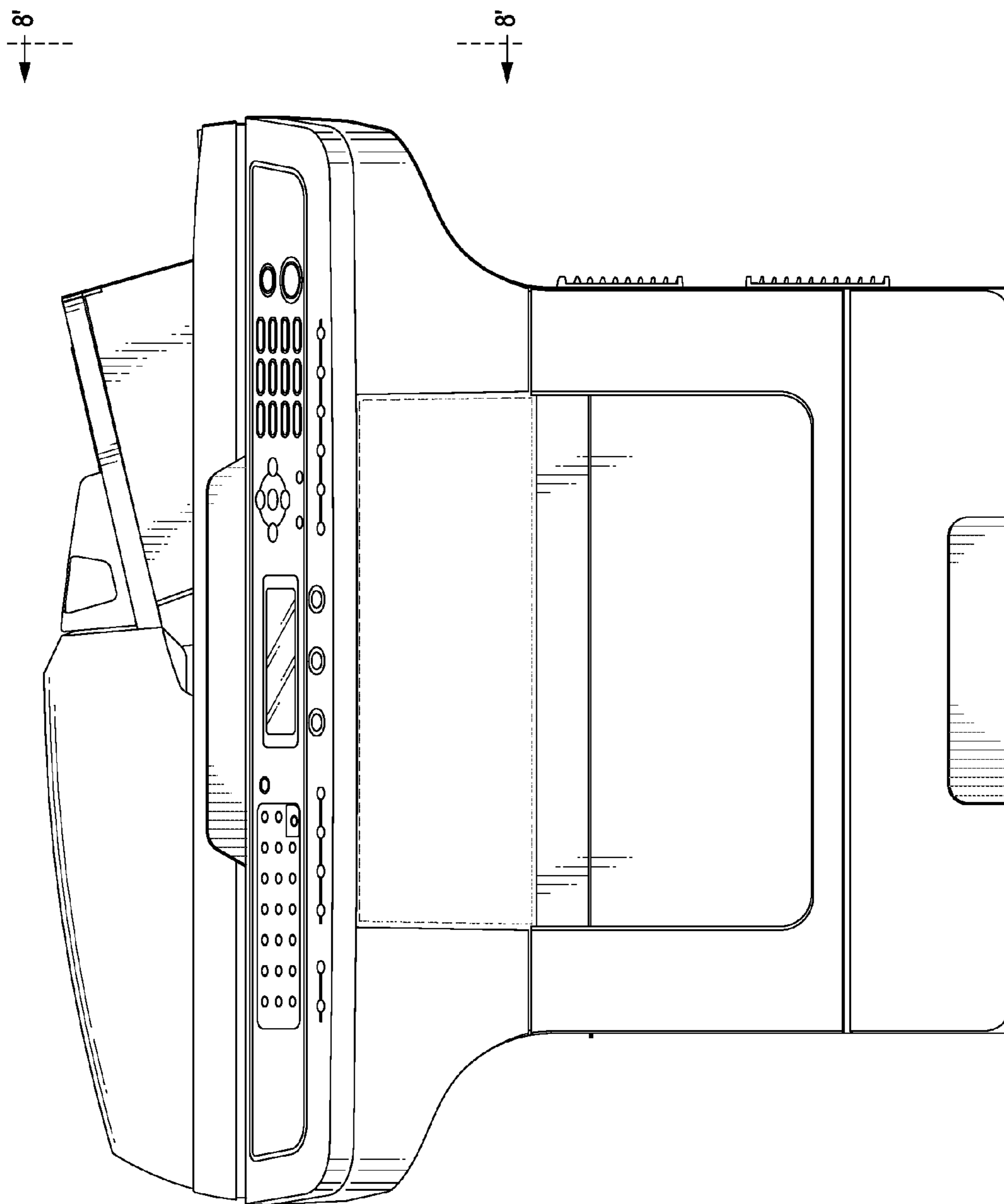


FIG. 2

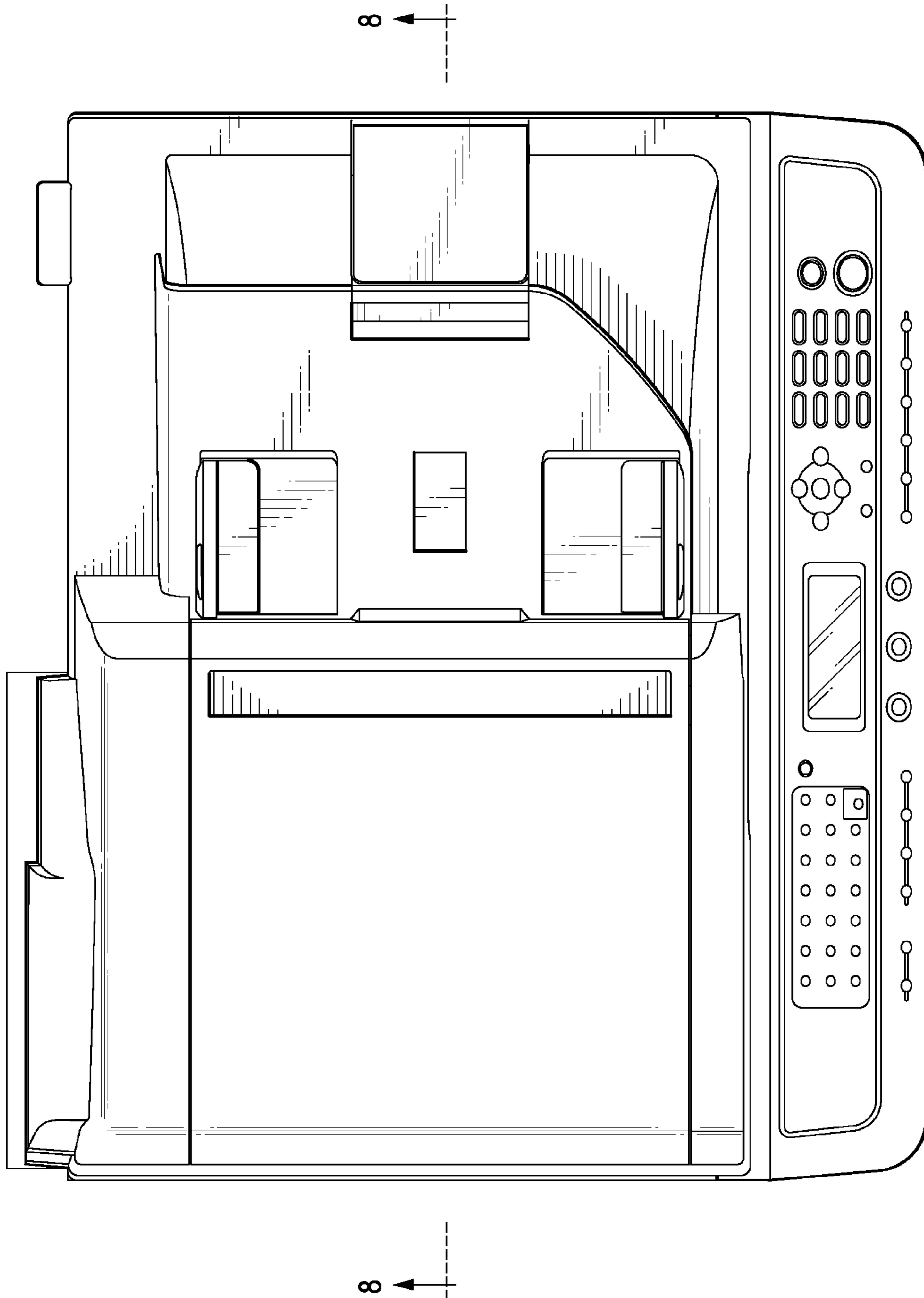


FIG. 3

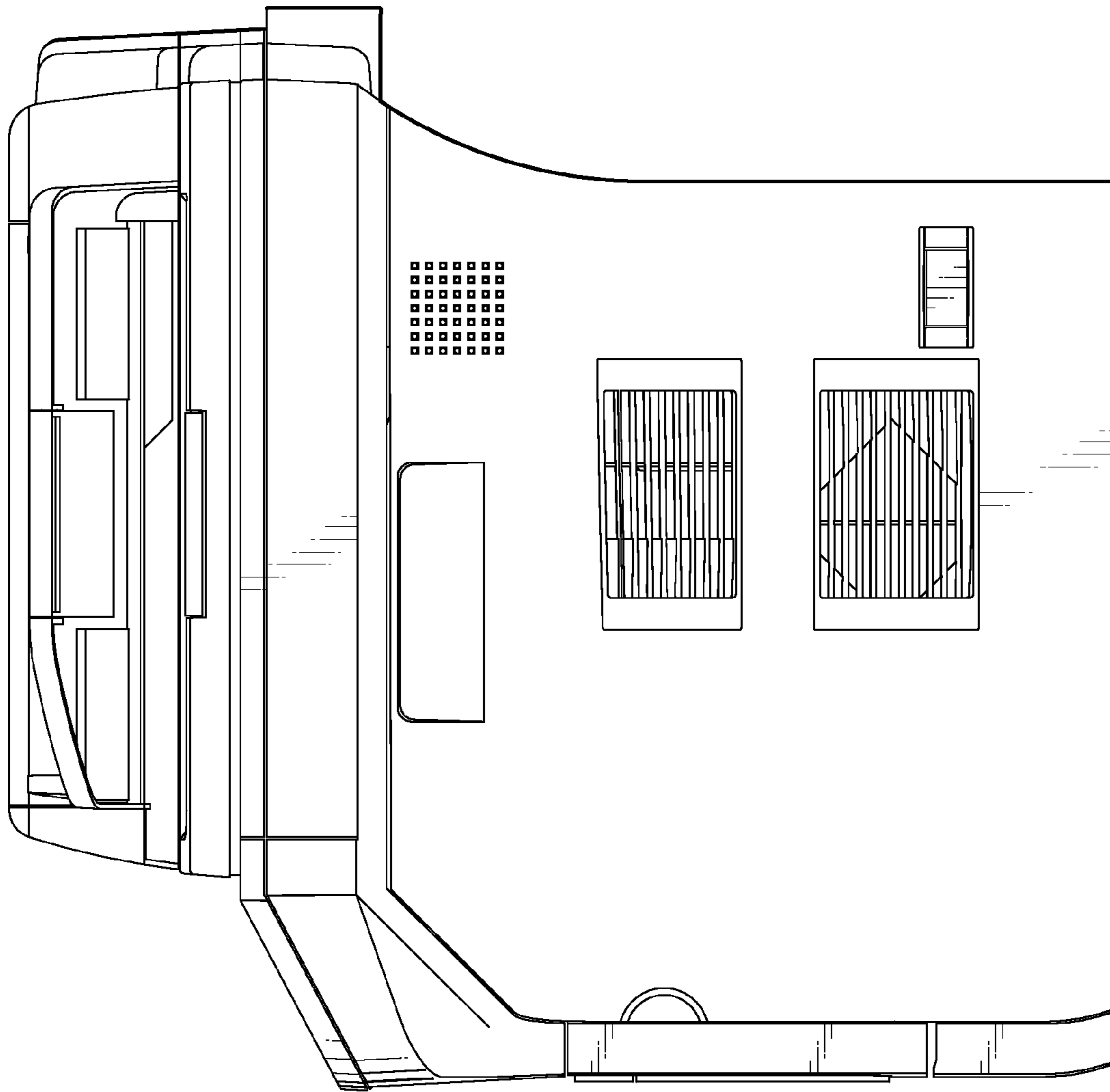


FIG. 4



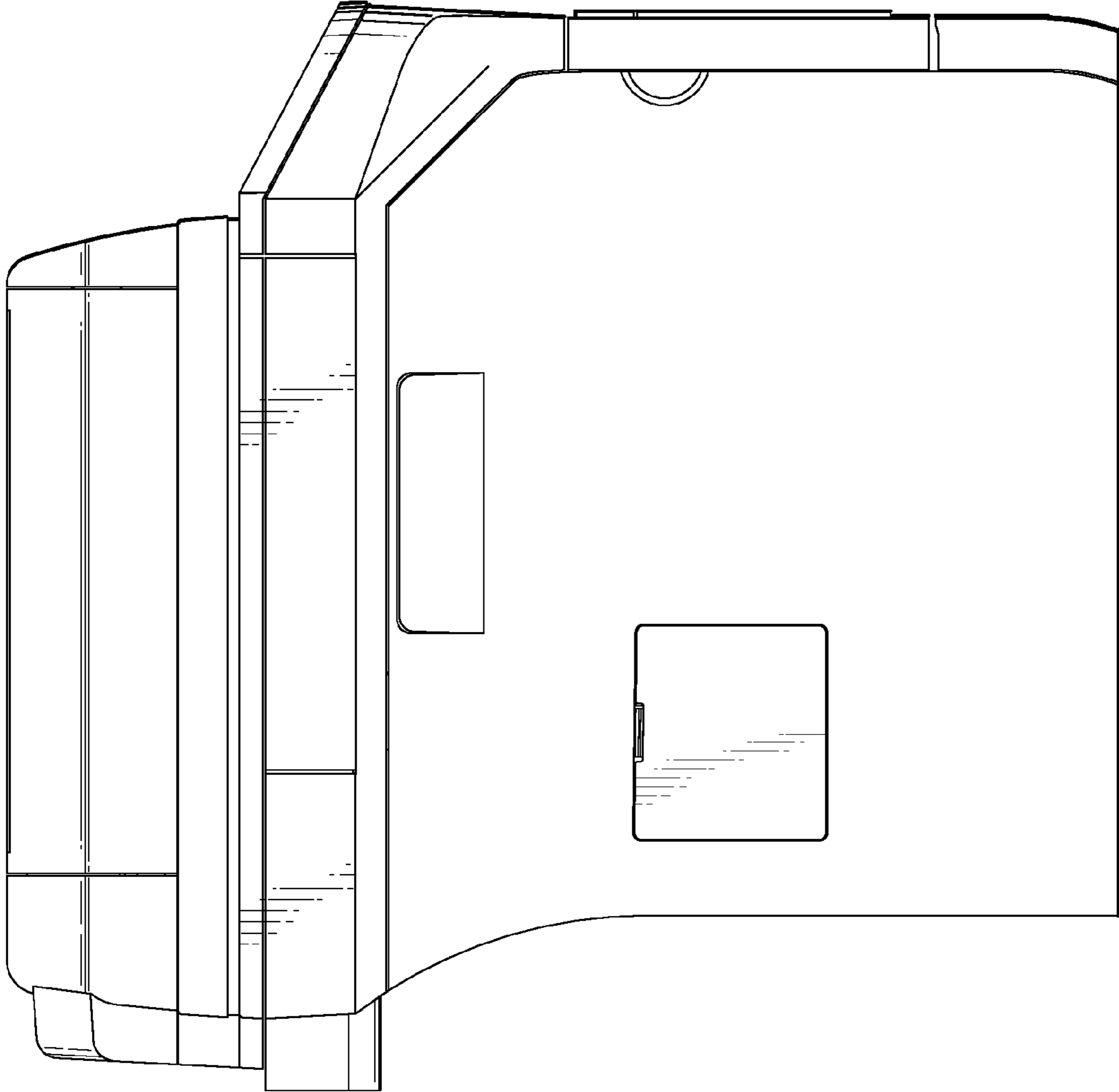


FIG. 5

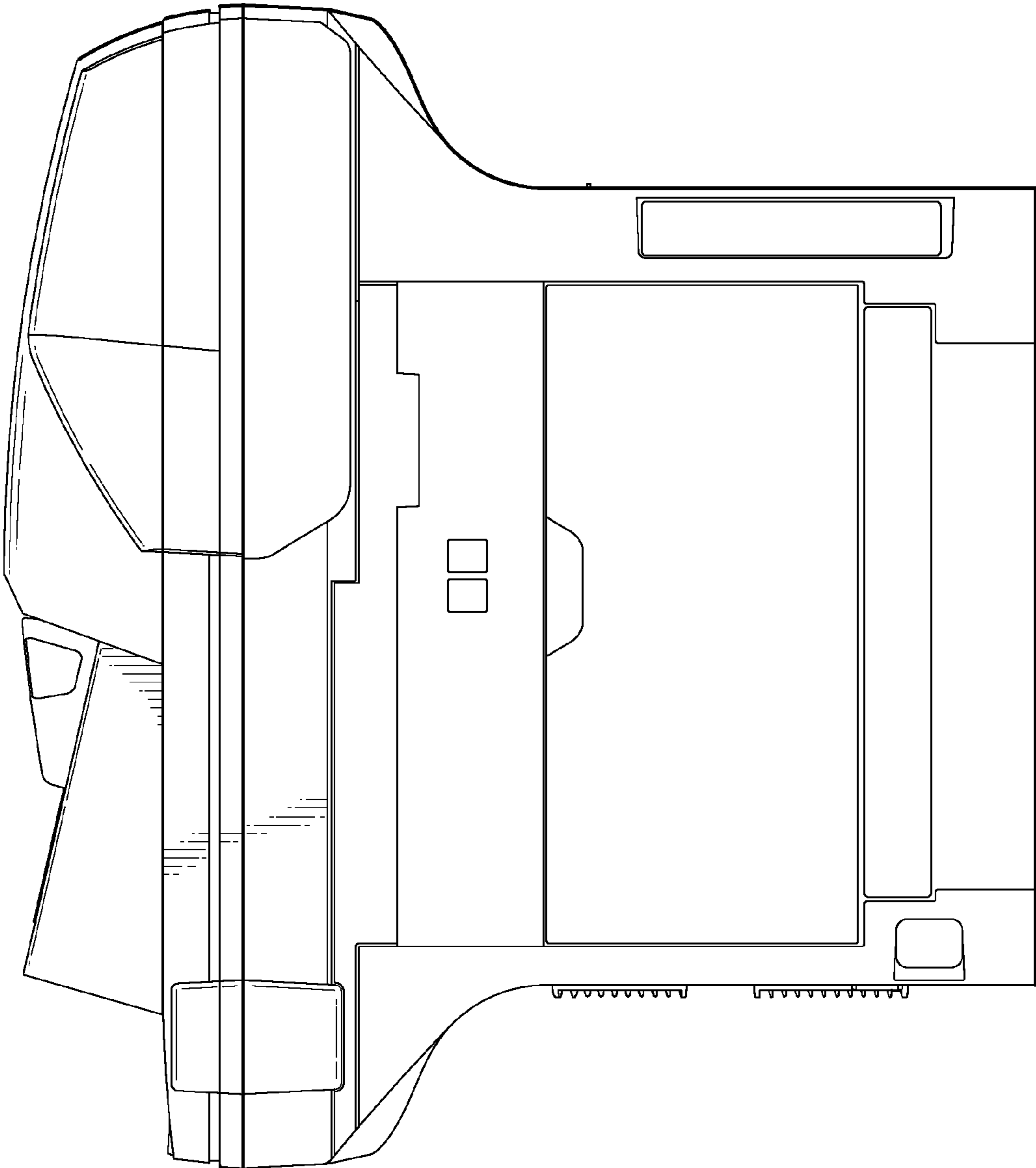


FIG. 6

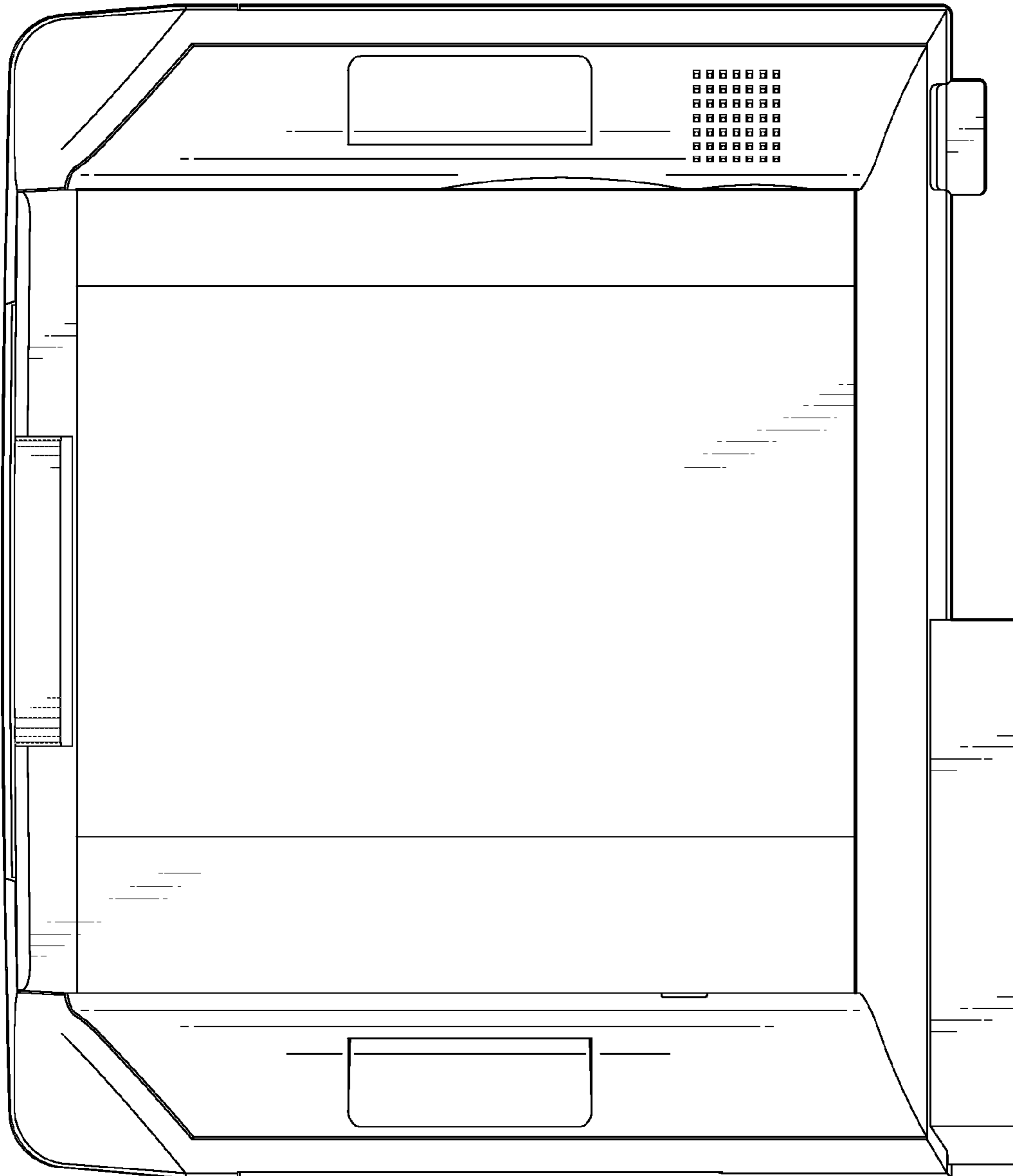


FIG. 7



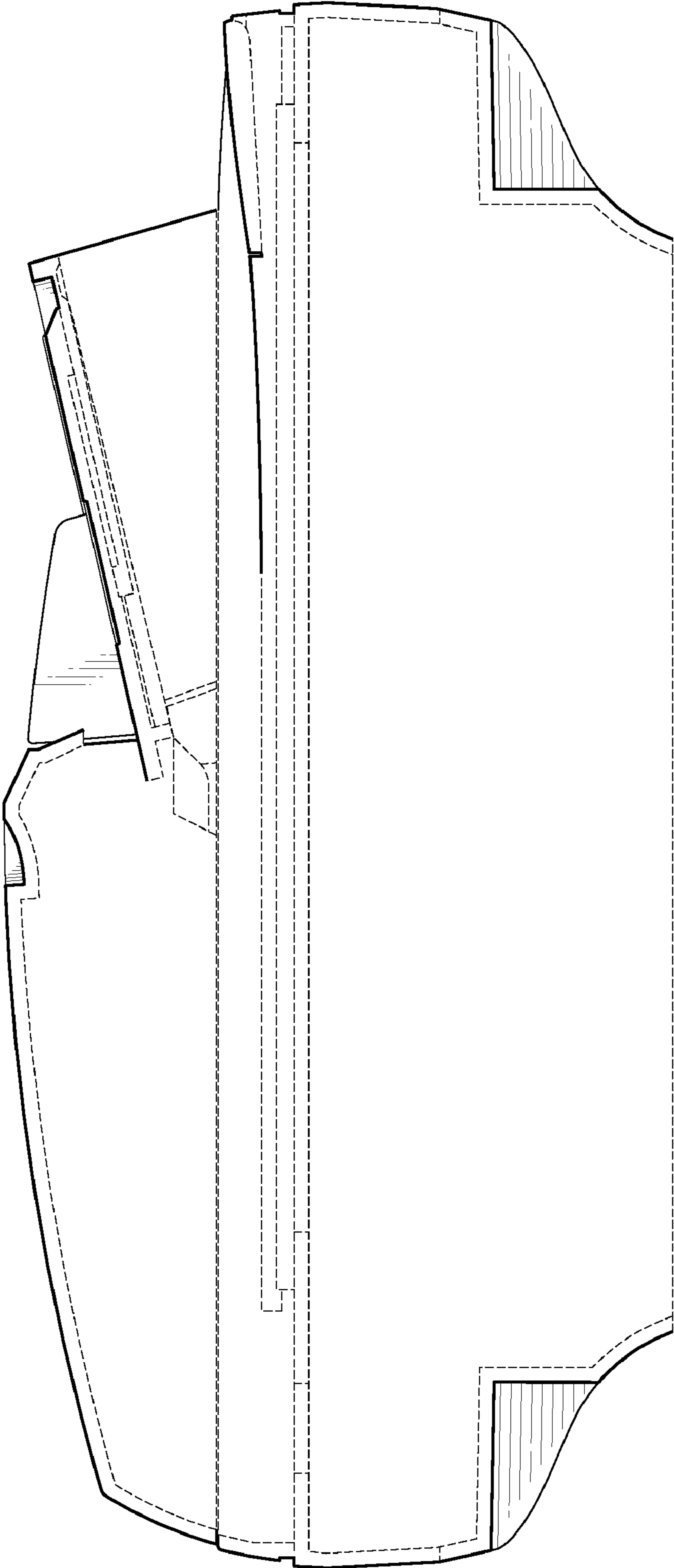


FIG. 8