



US00D616915S

(12) **United States Design Patent**
Silveria et al.

(10) **Patent No.:** **US D616,915 S**
(45) **Date of Patent:** **** Jun. 1, 2010**

(54) **SAFETY GOGGLE**
(75) Inventors: **Ricardo Silveria**, Bridgewater, MA (US); **Wayne Gleason**, W. Greenwich, RI (US); **Aaron Szymanski**, Thomaston, CT (US); **Michael Mennone**, Guilford, CT (US); **David Seebauer**, Southington, CT (US); **Glen Vincent**, Torrington, CT (US)

4,670,914 A 6/1987 Harris
4,707,863 A 11/1987 McNeal
4,759,622 A 7/1988 Schmidthaler
4,785,481 A 11/1988 Palmer, III et al.
4,930,163 A 6/1990 King
4,977,627 A 12/1990 Metcalfe et al.
5,007,727 A 4/1991 Kahaney et al.

(Continued)

(73) Assignee: **Sperian Eye & Face Protection, Inc.**, Smithfield, RI (US)

FOREIGN PATENT DOCUMENTS

(**) Term: **14 Years**

JP 56133716 A 10/1981

(21) Appl. No.: **29/351,213**

OTHER PUBLICATIONS

(22) Filed: **Dec. 2, 2009**

Gogglesgiant.com— "http://www.gogglesgiant.com/vevesngo.html".

(51) **LOC (9) Cl.** **16-06**

(52) **U.S. Cl.** **D16/312**

(58) **Field of Classification Search** D16/101, D16/300-342; D29/109-110; D24/110.2; 351/41, 44, 51-52, 62, 158, 92, 103-123, 351/140, 153, 45-46; 2/426-432, 447-449, 2/441, 434-437, 13, 15; D21/483, 659-661
See application file for complete search history.

Primary Examiner—Raphael Barkai
(74) *Attorney, Agent, or Firm*—Barlow, Josephs & Holmes, Ltd.

(57) **CLAIM**

The ornamental design for safety goggle, as shown and described.

(56) **References Cited**

DESCRIPTION

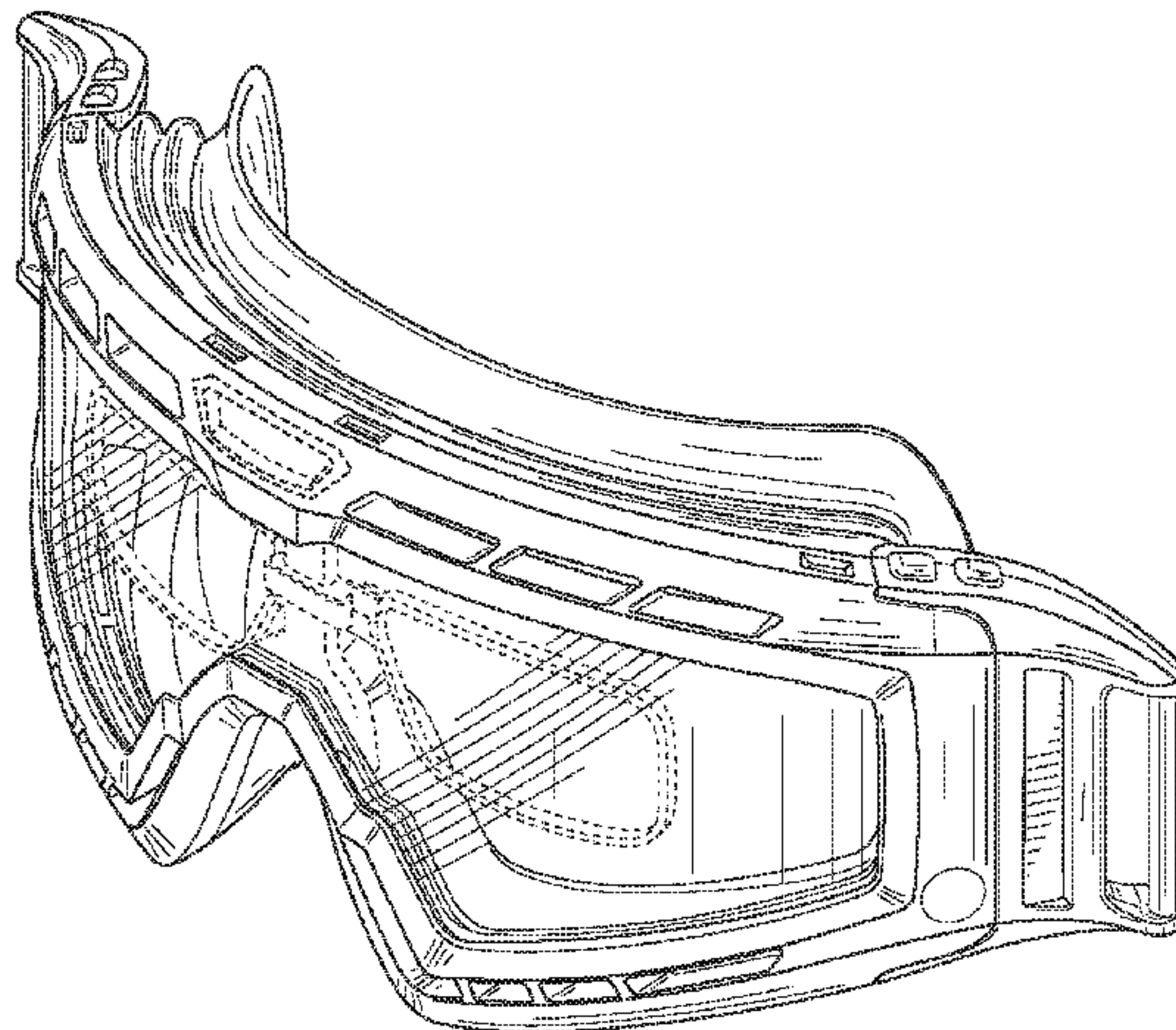
U.S. PATENT DOCUMENTS

1,816,752 A 7/1931 Tully
2,409,286 A 10/1946 Joyce
2,573,722 A 11/1951 Maurer et al.
2,607,919 A 8/1952 Stegeman
2,636,171 A 4/1953 Aspenleiter
2,877,463 A 3/1959 Watkins
2,993,209 A 7/1961 Monahan, Jr. et al
3,051,957 A 9/1962 Chan
3,081,461 A 3/1963 Gurtowski
3,141,172 A 7/1964 Hirschmann
3,146,295 A 8/1964 Roland
3,458,866 A 8/1969 De Man
3,517,393 A 6/1970 Beauchef
4,023,214 A 5/1977 Waldherr
4,264,988 A 5/1981 Specht
4,338,004 A 7/1982 Vosper
4,523,819 A 6/1985 Dianitsch et al.
4,653,124 A 3/1987 McNeal et al.

FIG. 1 is a front perspective view of the safety goggle in accordance with the present invention;
FIG. 2 is a front view thereof;
FIG. 3 is a rear side view thereof;
FIG. 4 is a right side view thereof;
FIG. 5 is a left side view thereof;
FIG. 6 is a top view thereof;
FIG. 7 is a bottom view thereof; and,
FIG. 8 is another front perspective view showing an optional prescription insert in broken lines.

The elements shown in broken line are illustrated for environmental purposes only, and form no part of the claimed design.

1 Claim, 5 Drawing Sheets



US D616,915 S

Page 2

U.S. PATENT DOCUMENTS

5,056,906 A	10/1991	Akiyoshi	6,601,240 B2	8/2003	Tsubooka
5,106,178 A	4/1992	Akiyoshi	6,637,038 B1	10/2003	Hussey
D328,084 S	7/1992	Salce et al.	6,704,944 B2	3/2004	Kawainshi et al.
5,170,502 A	12/1992	Hegendorfer et al.	6,732,382 B2	5/2004	Dondero
5,247,706 A	9/1993	Mark	6,783,234 B1	8/2004	Hong
5,363,512 A	11/1994	Grabos, Jr. et al.	D507,010 S	7/2005	Hartman
5,410,757 A	5/1995	Vienamo et al.	D508,939 S	8/2005	Hussey et al.
5,412,438 A	5/1995	Bolle	D510,378 S	10/2005	Dondero et al.
5,428,407 A	6/1995	Sheffield	6,994,433 B2	2/2006	Hockaday et al.
D372,490 S	8/1996	Sheffield et al.	D519,147 S *	4/2006	Moritz et al. D16/312
5,542,130 A	8/1996	Grabos, Jr. et al.	7,055,951 B2	6/2006	Canavan et al.
5,652,965 A	8/1997	Crooks	7,137,153 B2	11/2006	Hussey
5,657,106 A	8/1997	Herald, Jr. et al.	D537,100 S *	2/2007	Moritz et al. D16/312
5,790,230 A	8/1998	Sved	7,181,779 B2	2/2007	Hussey
5,802,622 A	9/1998	Baharad et al.	D577,054 S *	9/2008	Moritz D16/312
5,880,805 A	3/1999	Naessens et al.	7,478,905 B2	1/2009	Niu
5,929,963 A	7/1999	McNeal	D598,040 S *	8/2009	Sheldon et al. D16/312
5,966,746 A	10/1999	Reedy et al.	2002/0024630 A1	2/2002	Hornig
6,009,564 A	1/2000	Tackles et al.	2003/0033661 A1	2/2003	Huh
6,038,707 A	3/2000	Ryden et al.	2004/0105070 A1	6/2004	Hockaday et al.
6,062,688 A	5/2000	Vinas	2005/0036103 A1	2/2005	Bloch
6,089,707 A	7/2000	Shapiro	2005/0157249 A1	7/2005	Ifergan
6,119,276 A	9/2000	Newcomb et al.	2005/0225713 A1	10/2005	Lerner et al.
6,138,285 A	10/2000	Robrahn et al.	2006/0256280 A1	11/2006	Lipawsky
6,138,286 A	10/2000	Robrahn et al.	2006/0272078 A1	12/2006	Polinelli et al.
D439,267 S	3/2001	Hussey	2007/0024806 A1	2/2007	Blanshay et al.
D456,037 S	4/2002	Tabacchi	2007/0033716 A1	2/2007	Dondero
6,427,254 B1	8/2002	Gardner	2007/0113325 A1	5/2007	Curci
D465,507 S	11/2002	Wang	2007/0115424 A1	5/2007	Froissard
6,502,937 B2	1/2003	Yang	2007/0252942 A1	11/2007	Collier et al.
D478,111 S	8/2003	Huh	2007/0252943 A1	11/2007	Welchel et al.
			2007/0279577 A1	12/2007	Stanley et al.

* cited by examiner

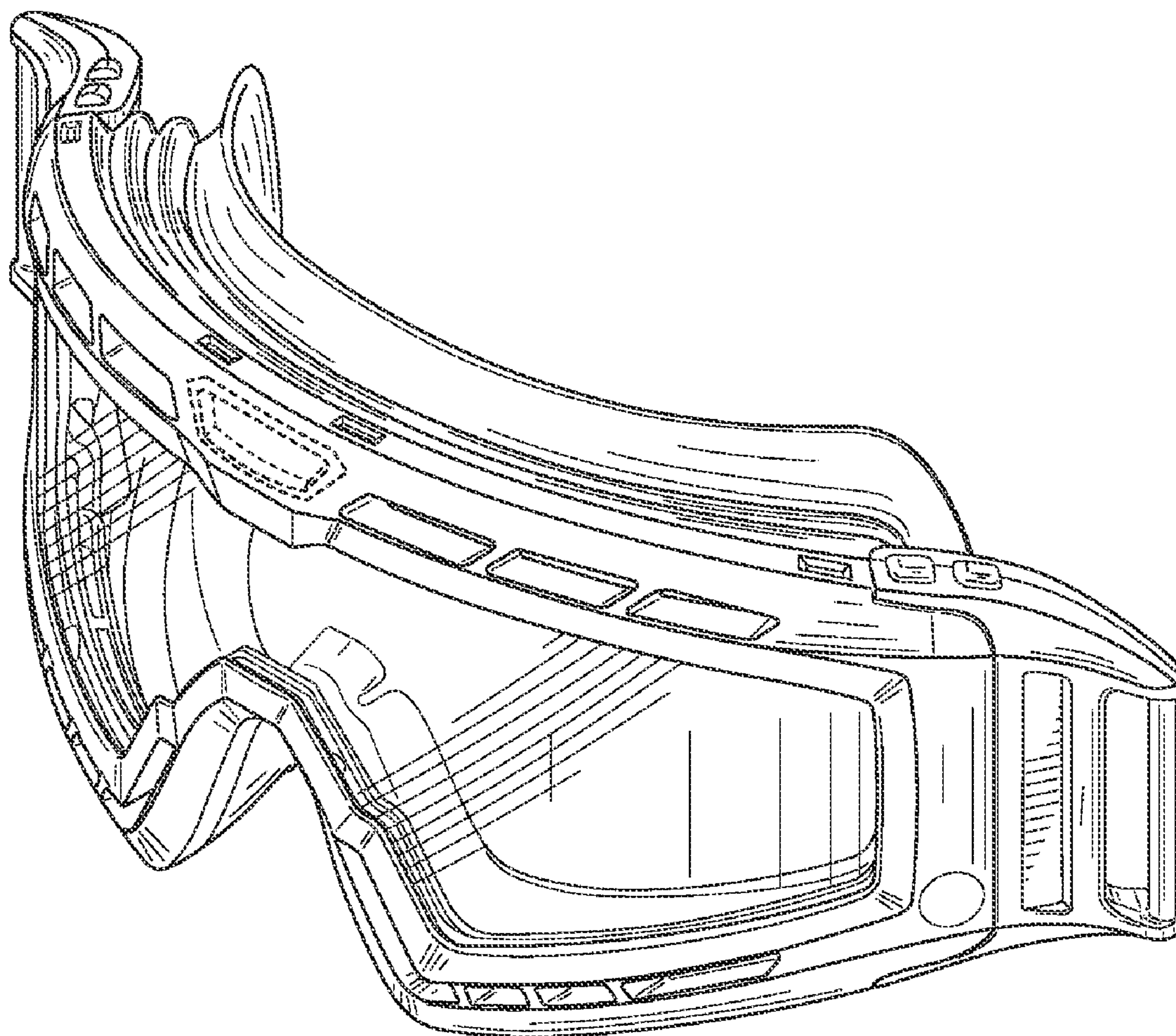


FIG. 1

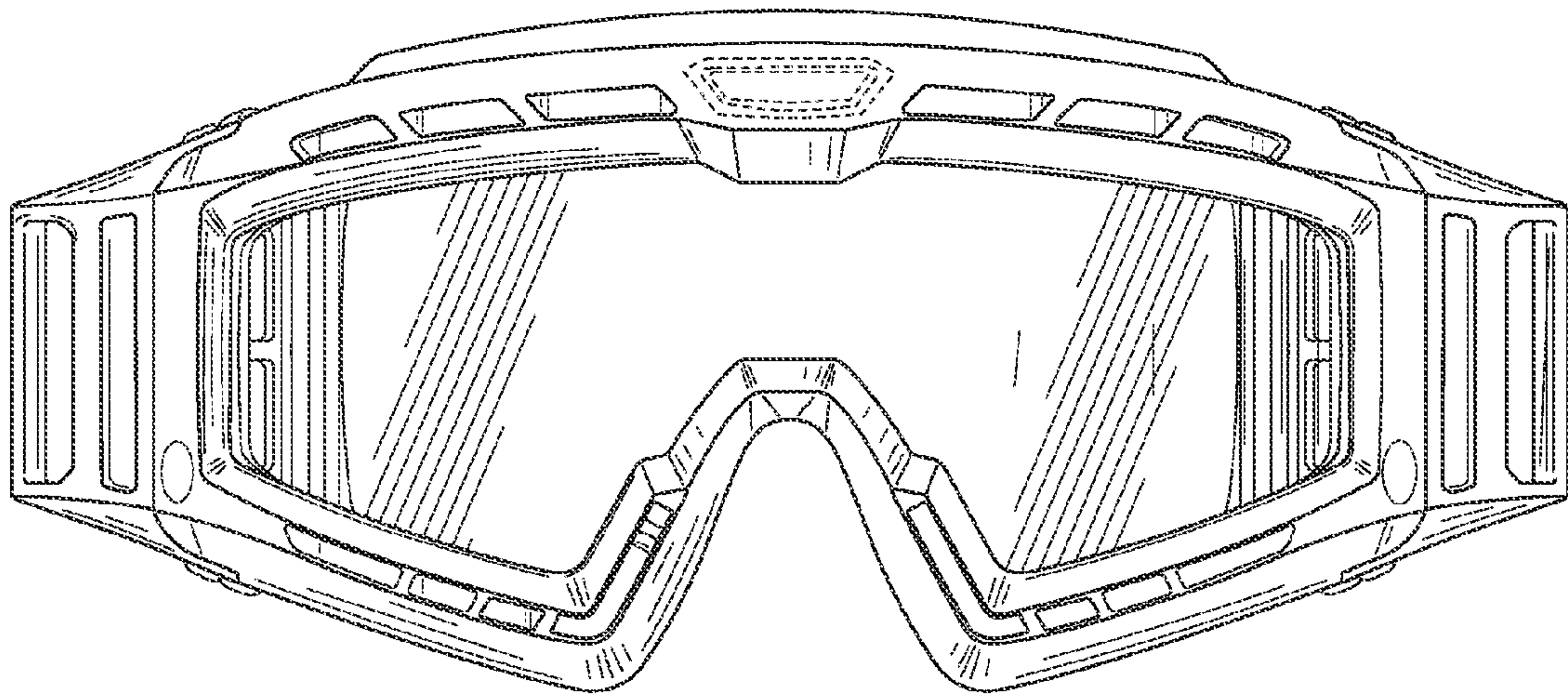


FIG. 2

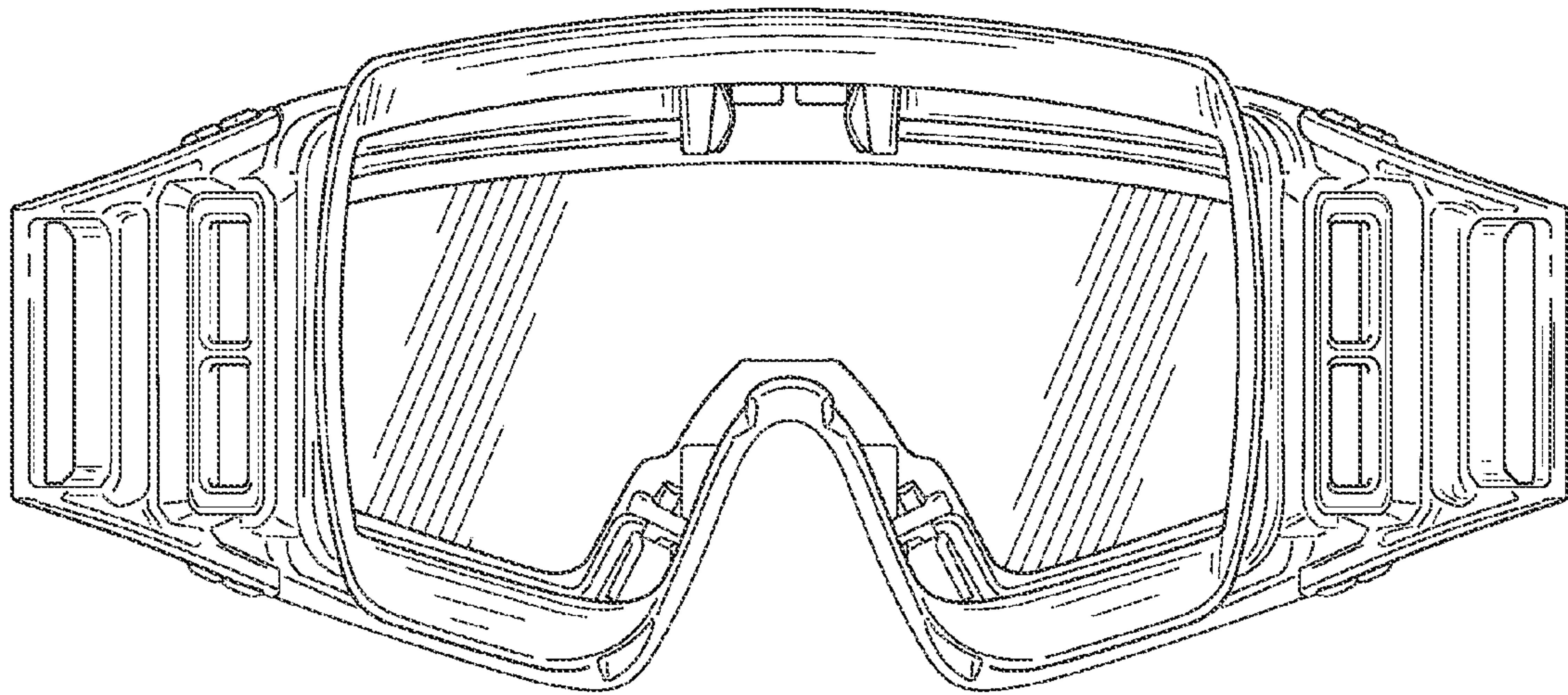


FIG. 3

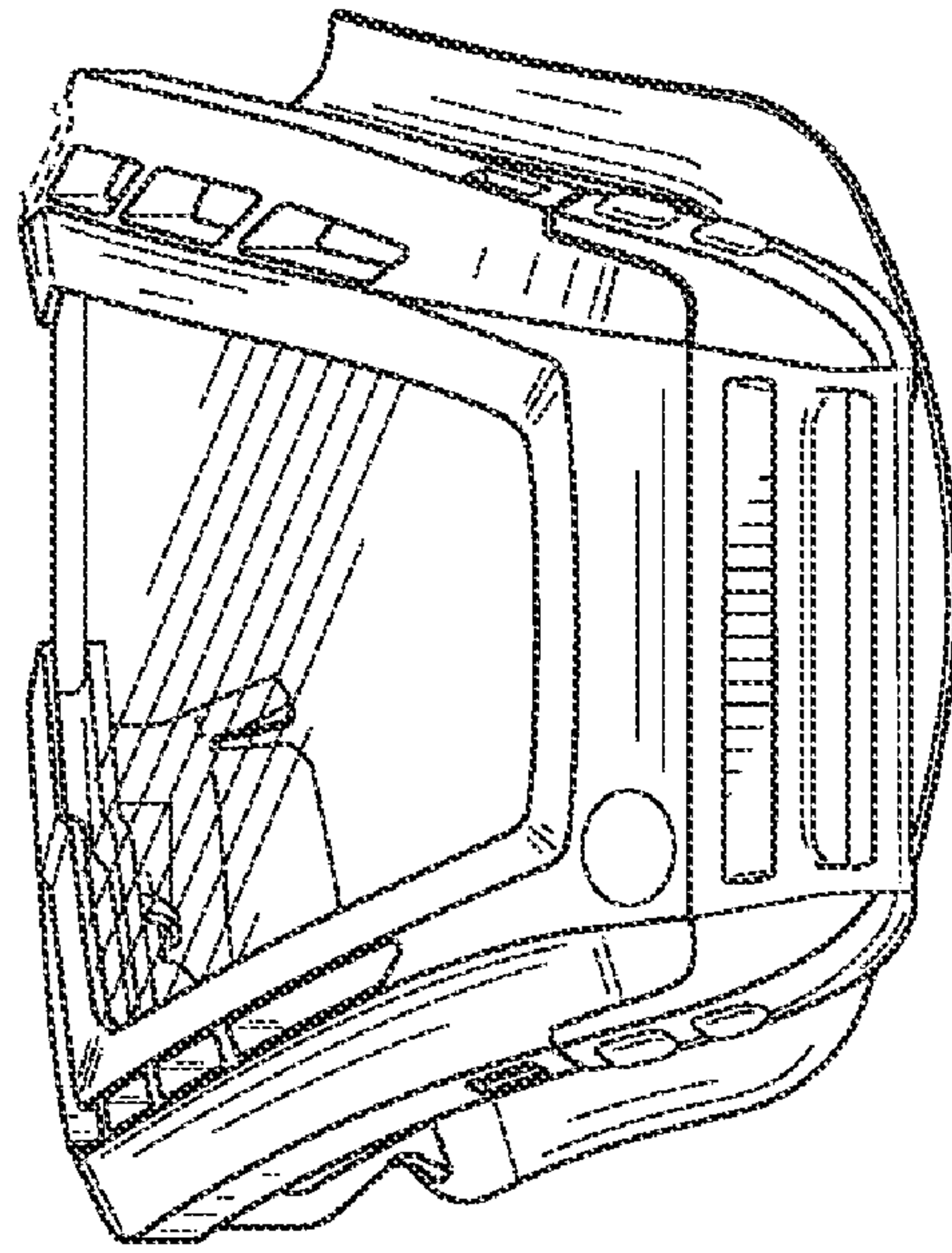


FIG. 4

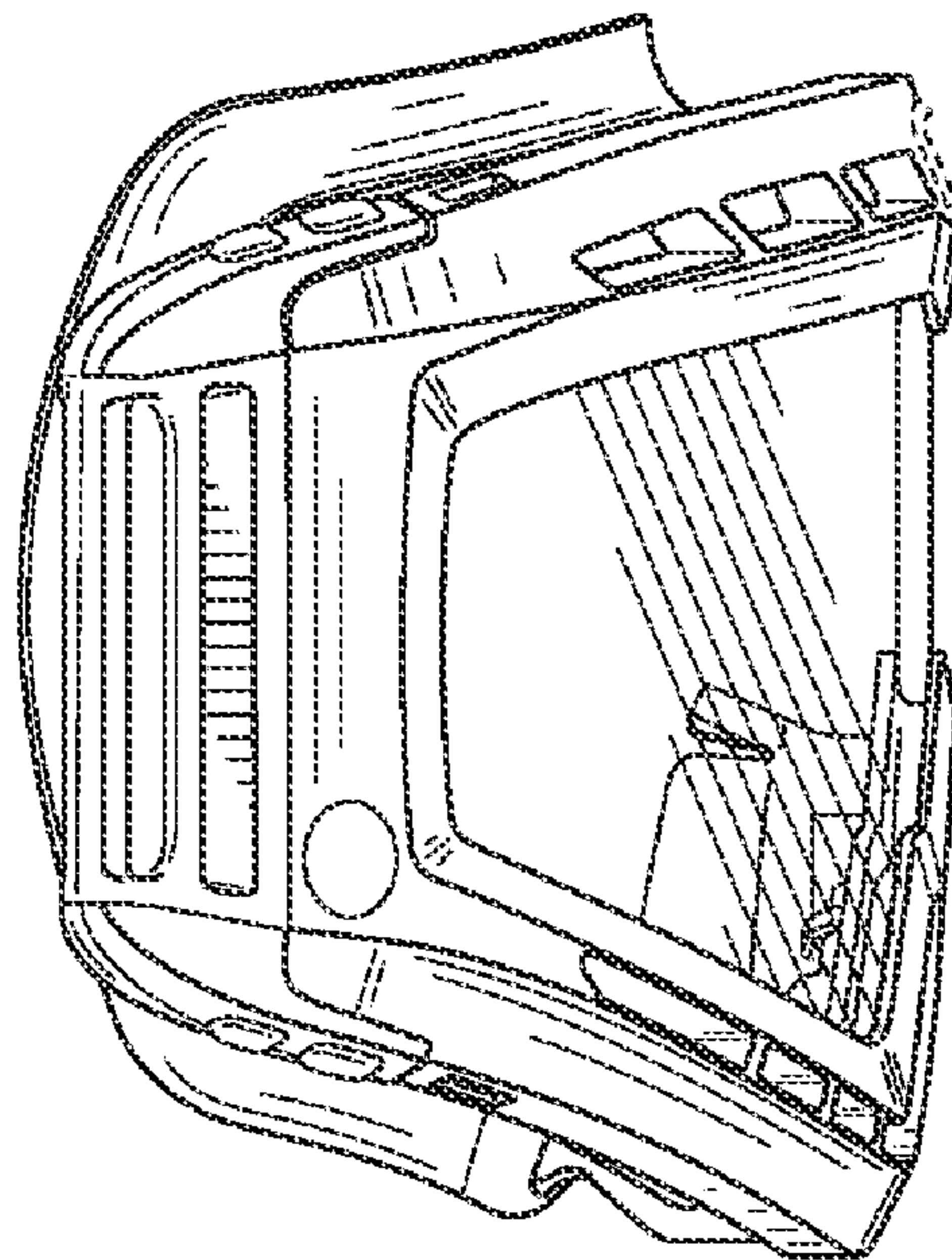


FIG. 5

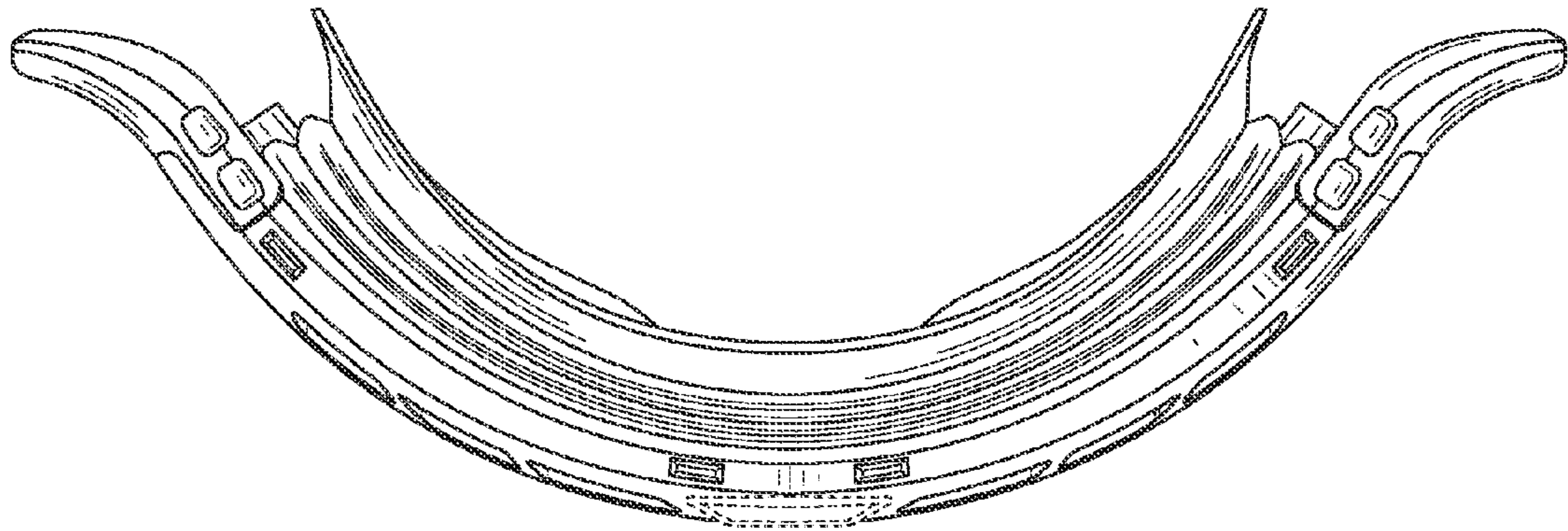


FIG. 6

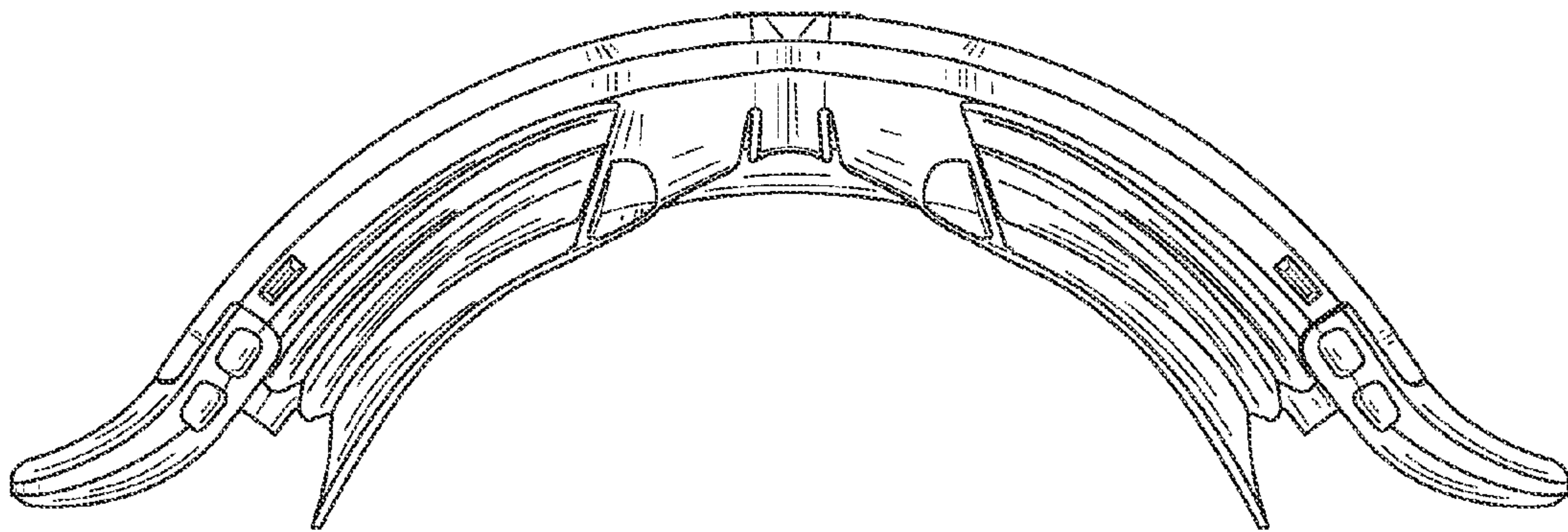


FIG. 7

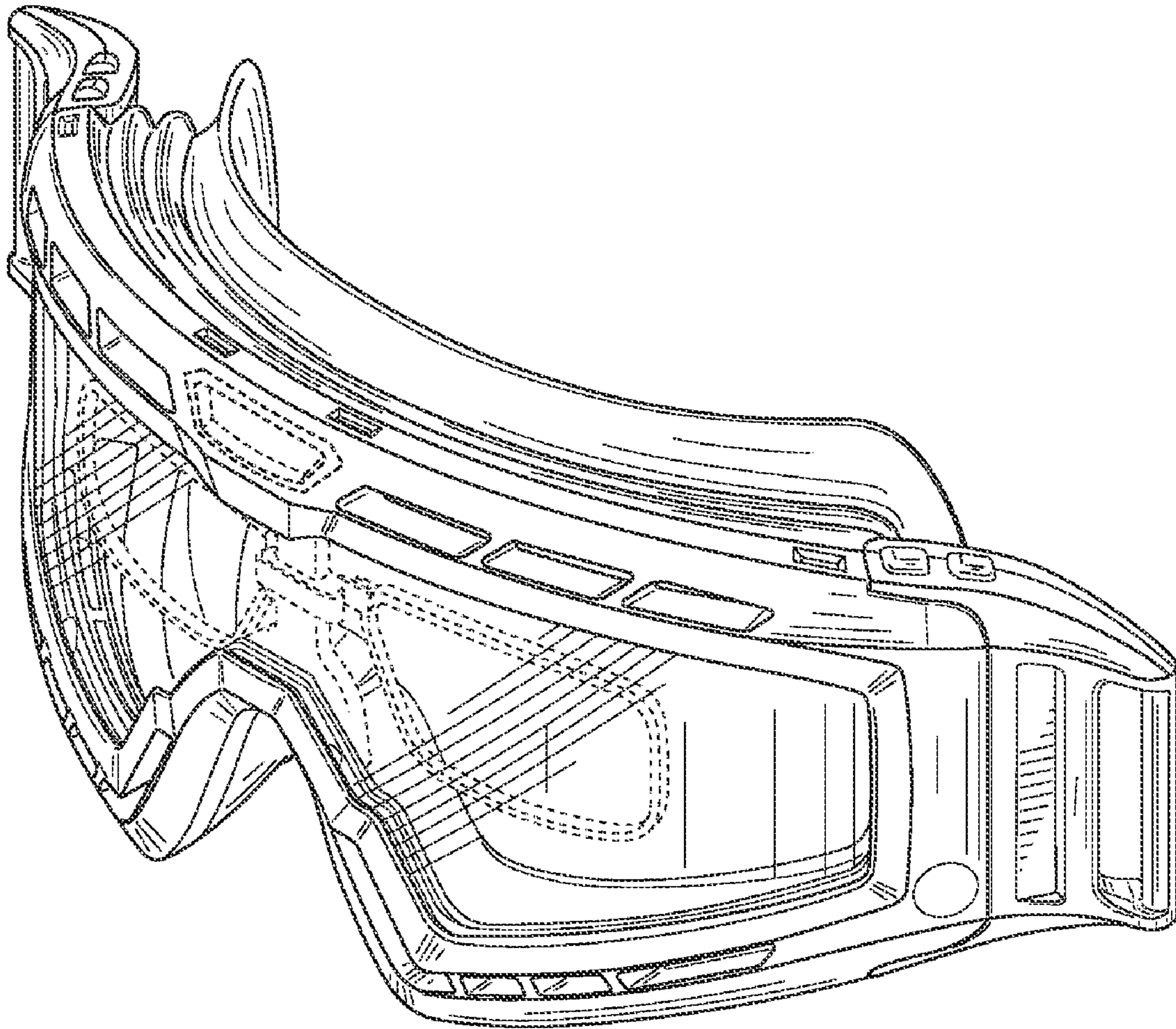


FIG. 8