



US00D616913S

(12) **United States Design Patent**  
**Lee**

(10) **Patent No.:** **US D616,913 S**  
(45) **Date of Patent:** **\*\* Jun. 1, 2010**

(54) **TRIPOD HEAD**

D537,859 S \* 3/2007 Speggorin ..... D16/245  
D564,567 S \* 3/2008 Dordick ..... D16/242

(76) Inventor: **Lihwa Lee**, Carp Industry Area, Dawo,  
Danzao Town, Nanhai, Foshan,  
Guangdong (CN) 528200

\* cited by examiner

(\*\*) Term: **14 Years**

*Primary Examiner*—Ian Simmons

*Assistant Examiner*—Wan Laymon

(21) Appl. No.: **29/330,618**

(74) *Attorney, Agent, or Firm*—Global IP Services; Tianhua  
Gu

(22) Filed: **Jan. 9, 2009**

(57) **CLAIM**

(51) **LOC (9) Cl.** ..... **16-05**

The ornamental design for a tripod head, as shown and  
described.

(52) **U.S. Cl.** ..... **D16/245**

(58) **Field of Classification Search** ..... D16/237,  
D16/242, 244–245; 352/243; 396/218, 419–420,  
396/422, 428; 248/176.1, 176.3, 177.1, 186.1,  
248/178.1, 170, 187.1, 183.1, 183.2, 373  
See application file for complete search history.

**DESCRIPTION**

(56) **References Cited**

**U.S. PATENT DOCUMENTS**

2,717,138	A *	9/1955	Sheehan	.....	248/183.2
D289,899	S *	5/1987	Iwasaki	.....	D16/245
5,012,265	A *	4/1991	Nakatani	.....	248/179.1
D323,339	S *	1/1992	Ishikawa	.....	D16/245
D327,084	S *	6/1992	Miyauchi	.....	D16/245
D327,085	S *	6/1992	Miyauchi	.....	D16/245
D343,853	S *	2/1994	Haung	.....	D16/245
D357,031	S *	4/1995	Hanke	.....	D16/245
6,513,784	B2 *	2/2003	Lindsay	.....	248/694

FIG. 1 is a right-front perspective view of a tripod head  
showing my new design;

FIG. 2 is a front view thereof;

FIG. 3 is a back view thereof;

FIG. 4 is a left side view thereof;

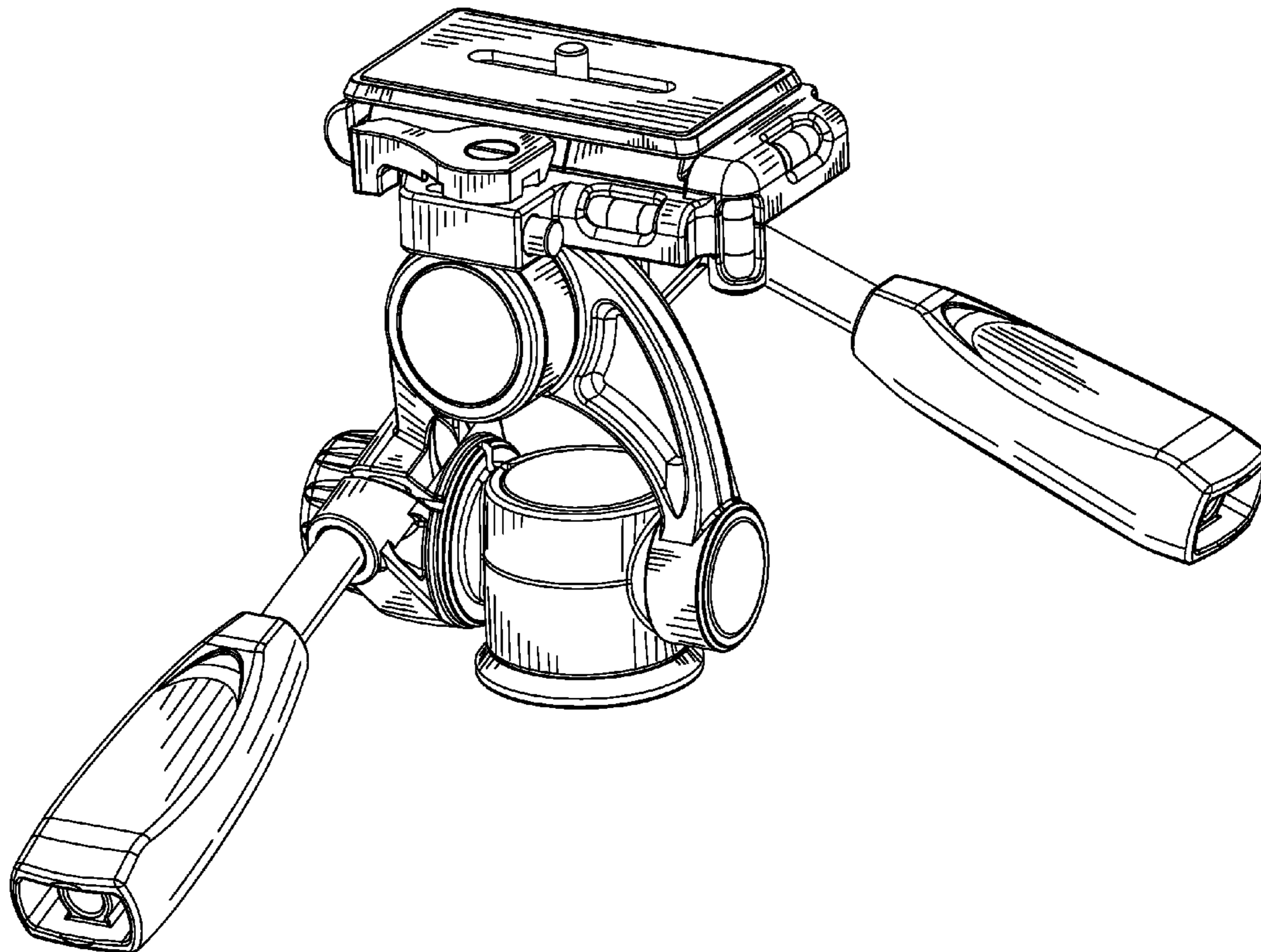
FIG. 5 is a right side view thereof;

FIG. 6 is a top view thereof; and,

FIG. 7 is a bottom view thereof.

The broken line showing on the drawing disclosure is for  
illustrative purposes only and forms no part of the claimed  
design.

**1 Claim, 7 Drawing Sheets**



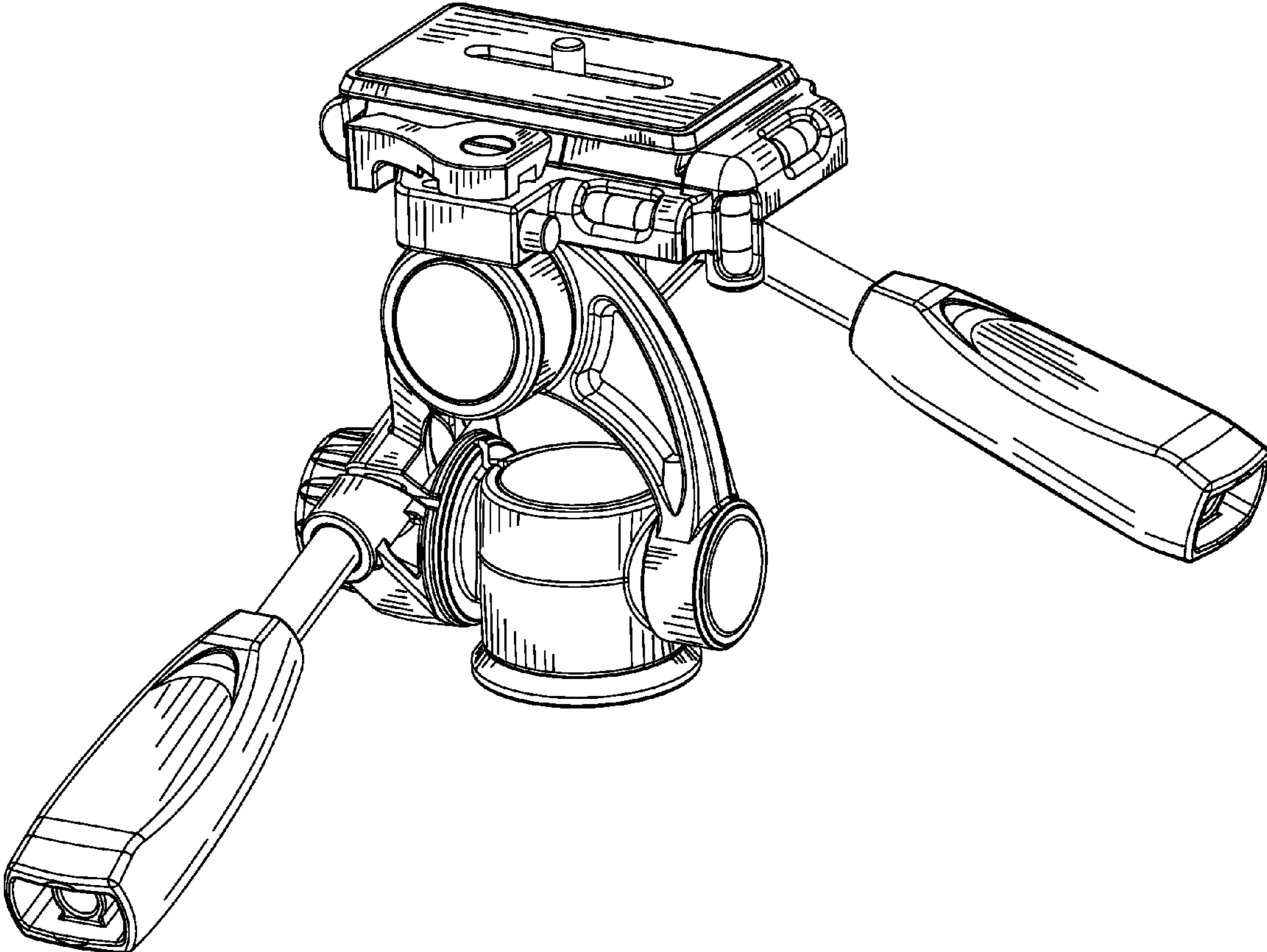


Fig. 1

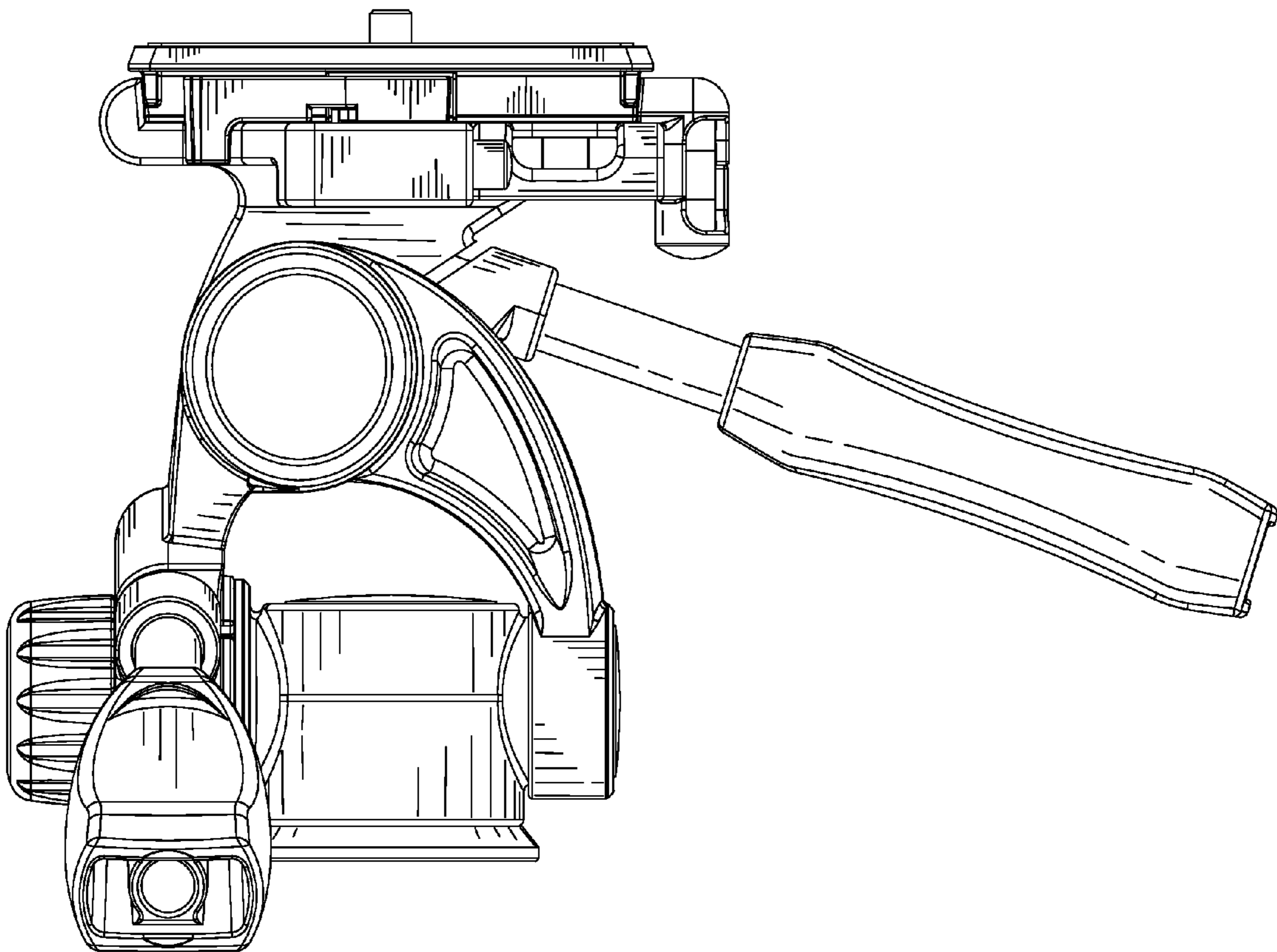


Fig. 2

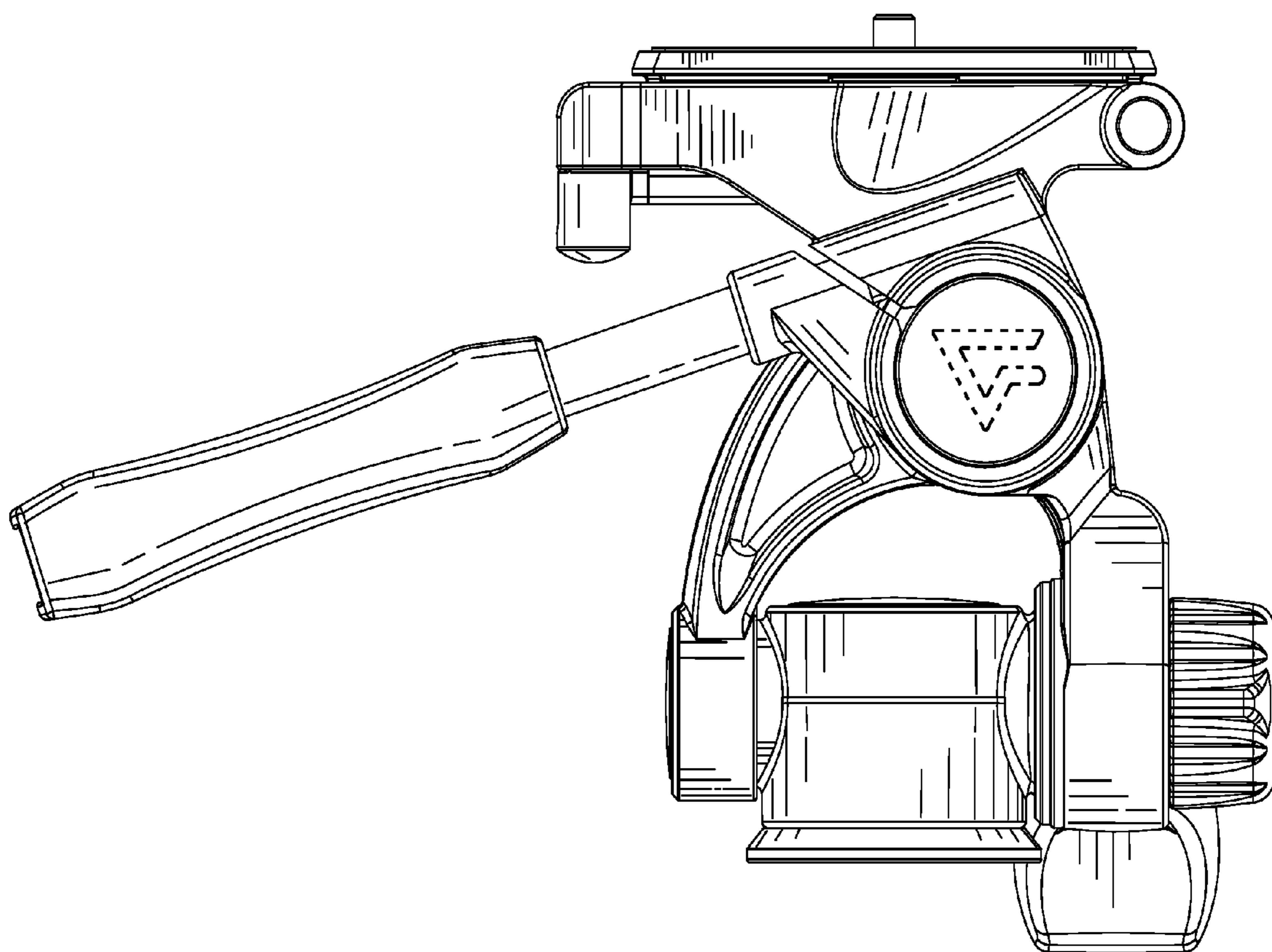


Fig. 3

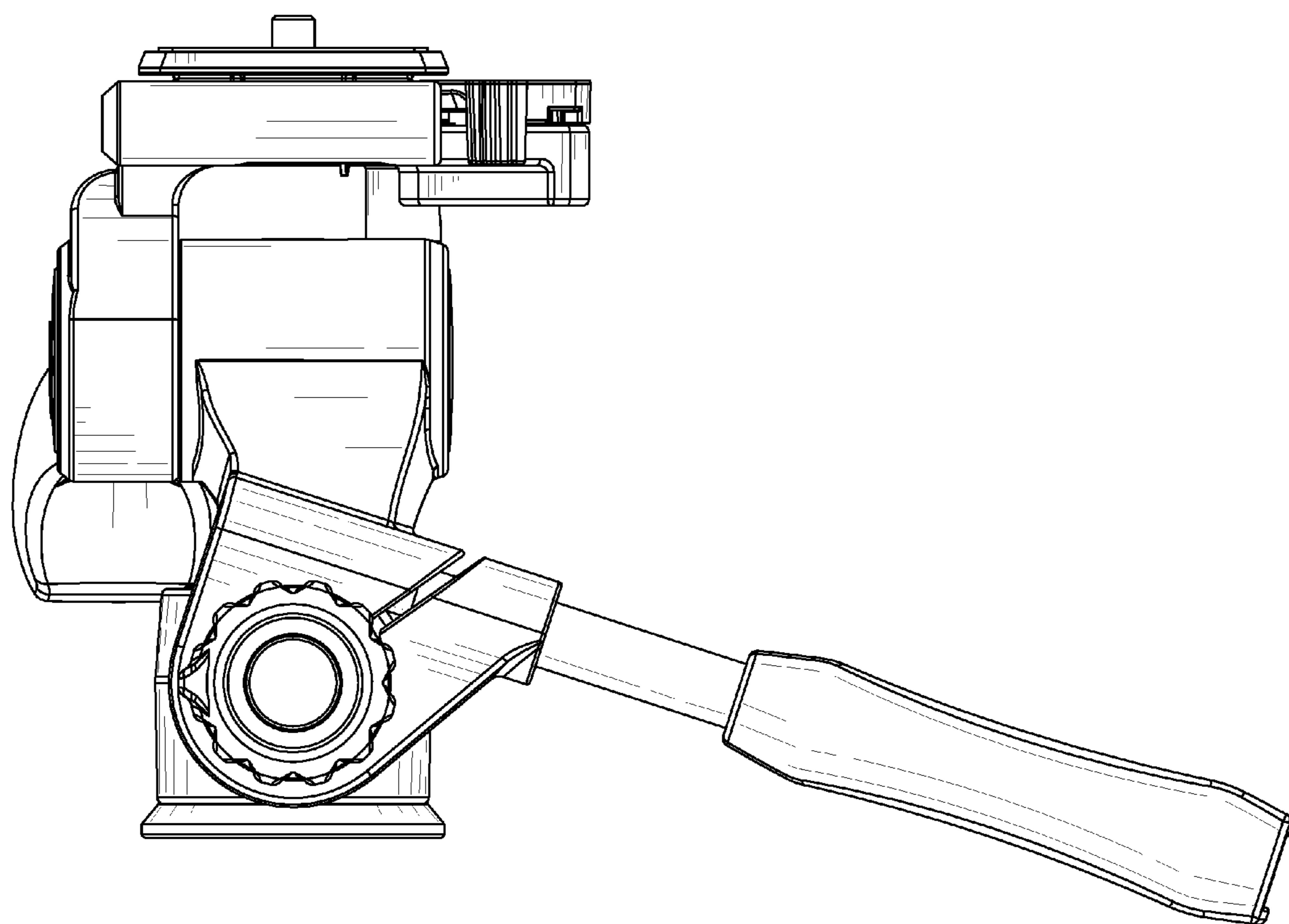


Fig. 4

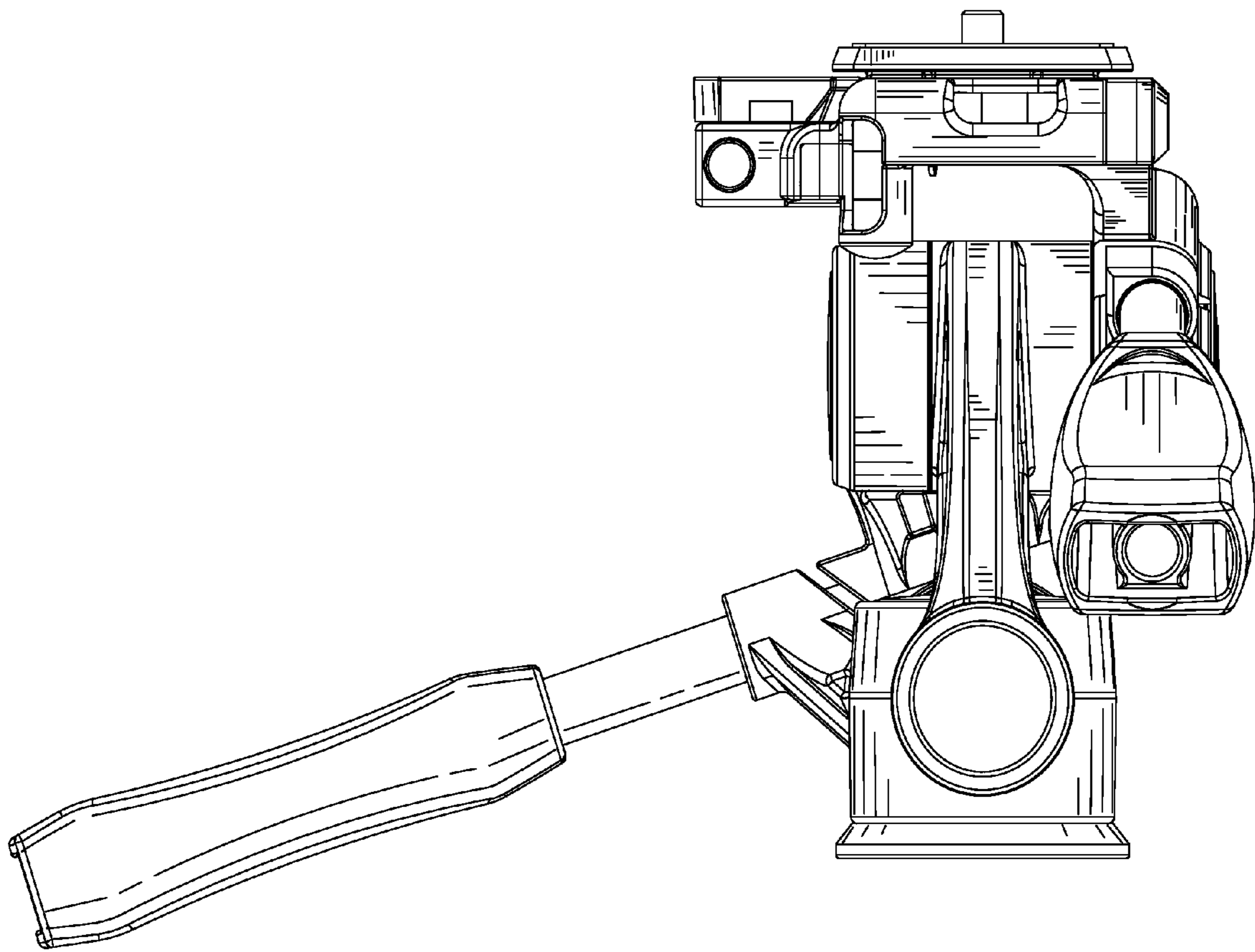


Fig. 5

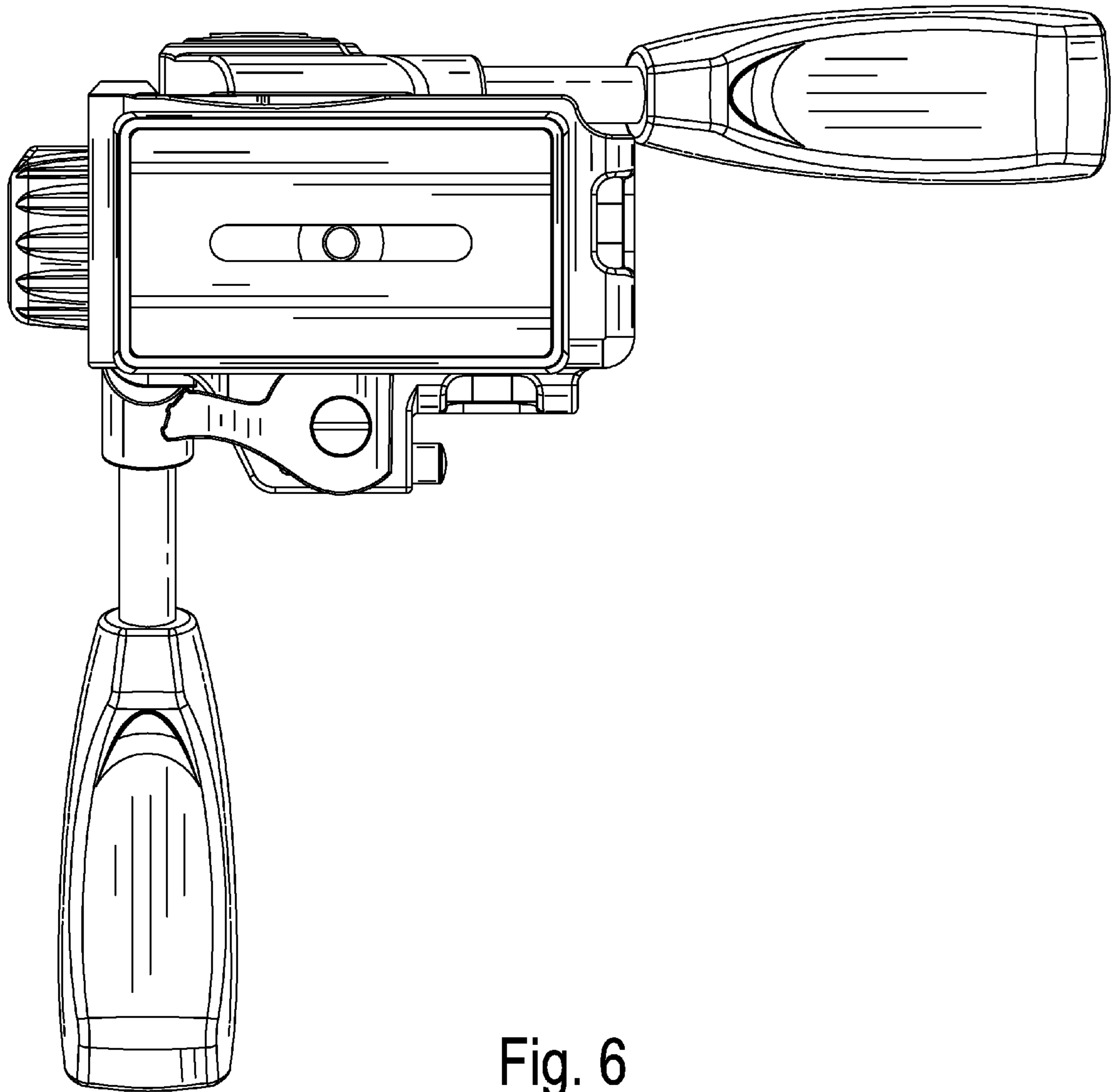


Fig. 6

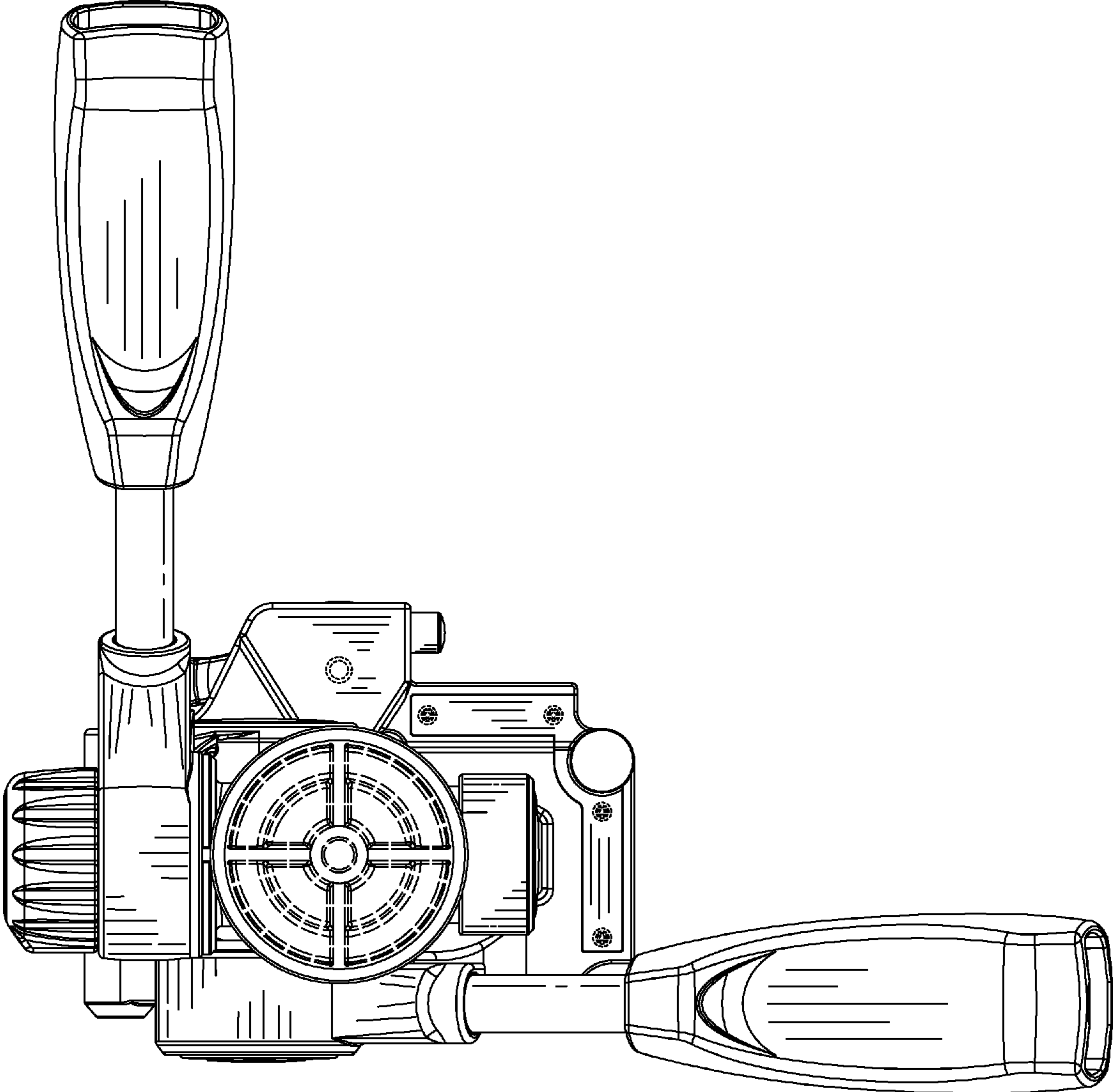


Fig. 7