



US00D616912S

(12) **United States Design Patent**
Sasaki

(10) **Patent No.:** **US D616,912 S**
(45) **Date of Patent:** **** Jun. 1, 2010**

(54) **LAMP FOR PROJECTOR**

(75) Inventor: **Fumihide Sasaki**, Matsumoto (JP)

(73) Assignee: **Seiko Epson Corporation**, Tokyo (JP)

(**) Term: **14 Years**

(21) Appl. No.: **29/342,654**

(22) Filed: **Aug. 28, 2009**

(30) **Foreign Application Priority Data**

Jun. 5, 2009 (JP) 2009-012707

(51) **LOC (9) Cl.** **16-02**

(52) **U.S. Cl.** **D16/235**

(58) **Field of Classification Search** D16/221,
D16/225, 235–236; D26/1, 24, 28, 36; 352/198,
352/203; 353/87, 97–98, 119; 362/242,
362/294, 362, 368, 430

See application file for complete search history.

(56) **References Cited**

U.S. PATENT DOCUMENTS

| | | | | |
|----------------|---------|------------------|-------|---------|
| D420,455 S * | 2/2000 | Haba et al. | | D26/1 |
| D424,089 S * | 5/2000 | Takizawa | | D16/221 |
| 6,461,025 B1 * | 10/2002 | Payne | | 362/362 |
| 7,052,147 B2 * | 5/2006 | Katsuma et al. | | 353/119 |
| D561,232 S * | 2/2008 | Nishizawa et al. | | D16/235 |
| D589,997 S * | 4/2009 | Hieda et al. | | D16/235 |

* cited by examiner

Primary Examiner—Ian Simmons

Assistant Examiner—Wan Laymon

(74) *Attorney, Agent, or Firm*—Oliff & Berridge, PLC

(57) **CLAIM**

The ornamental design for a lamp for projector, as shown and described.

DESCRIPTION

FIG. 1 is a top and front perspective view of a lamp for projector;

FIG. 2 is a bottom and rear perspective view thereof;

FIG. 3 is a top and rear perspective view thereof;

FIG. 4 is a bottom and front perspective view thereof;

FIG. 5 is a front view thereof;

FIG. 6 is a rear view thereof;

FIG. 7 is a left-side view thereof;

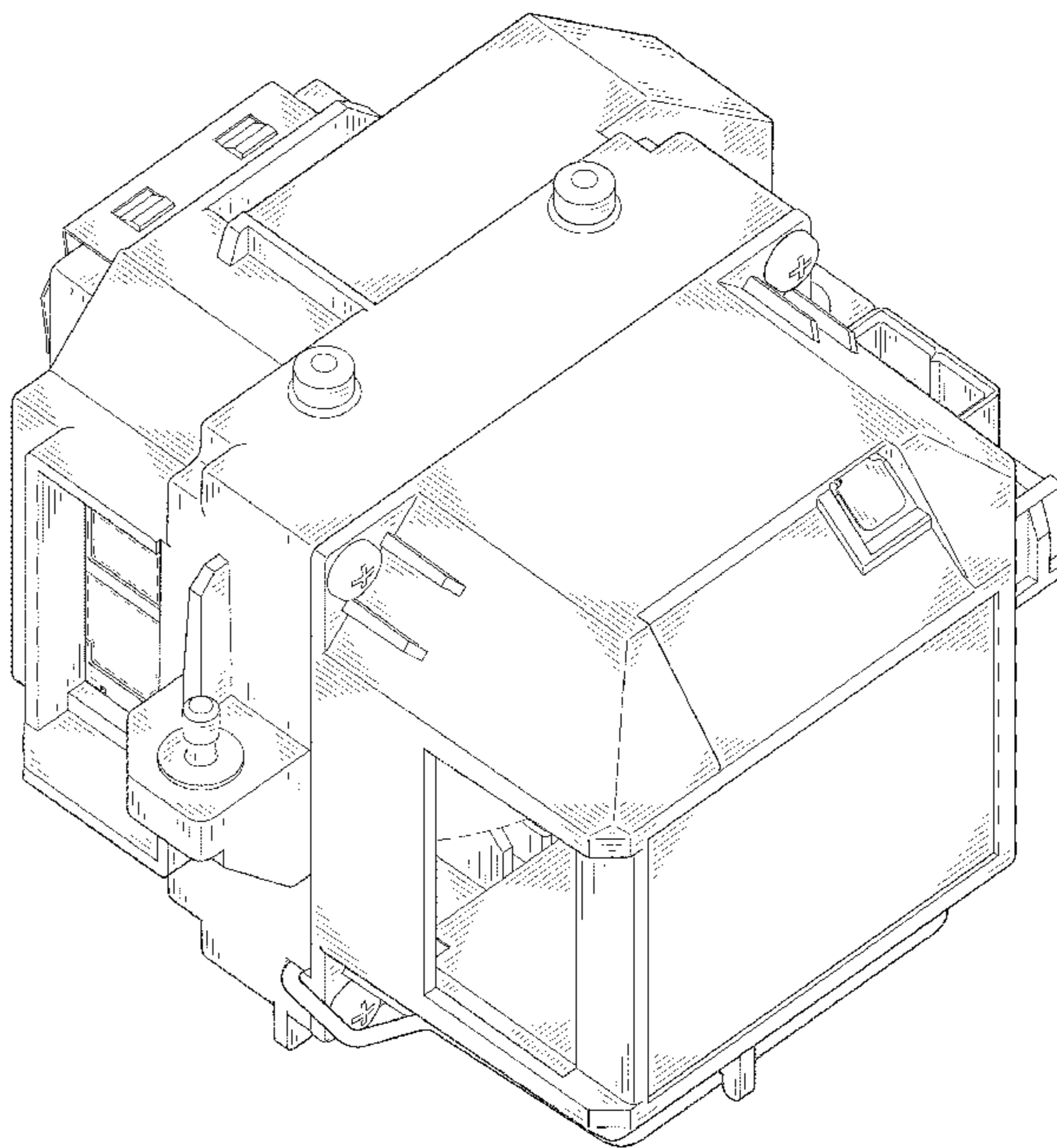
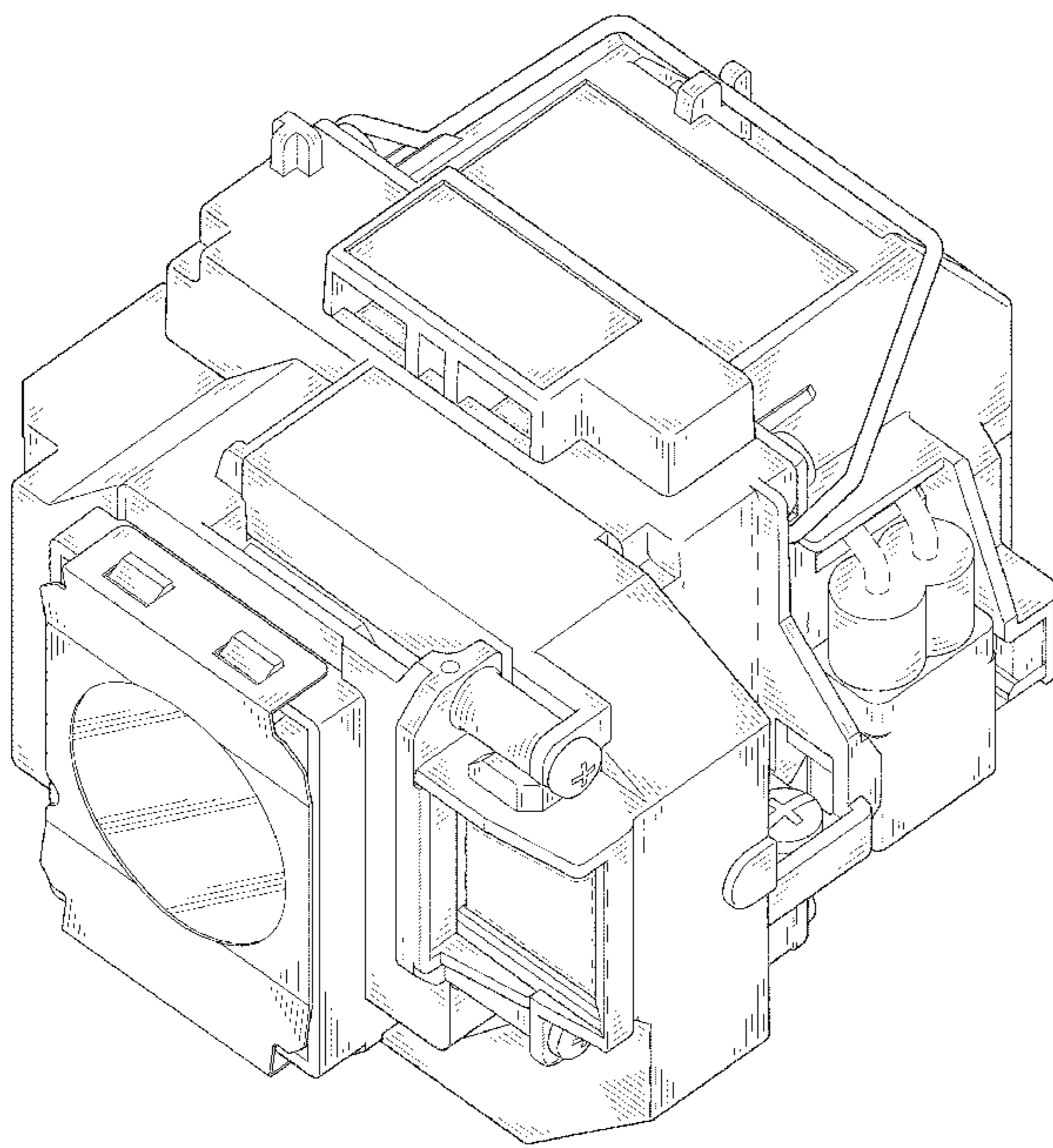
FIG. 8 is a right-side view thereof;

FIG. 9 is a top view thereof; and,

FIG. 10 is a bottom view thereof.

The broken lines depict environmental subject matter only and form no part of the claimed design.

1 Claim, 10 Drawing Sheets



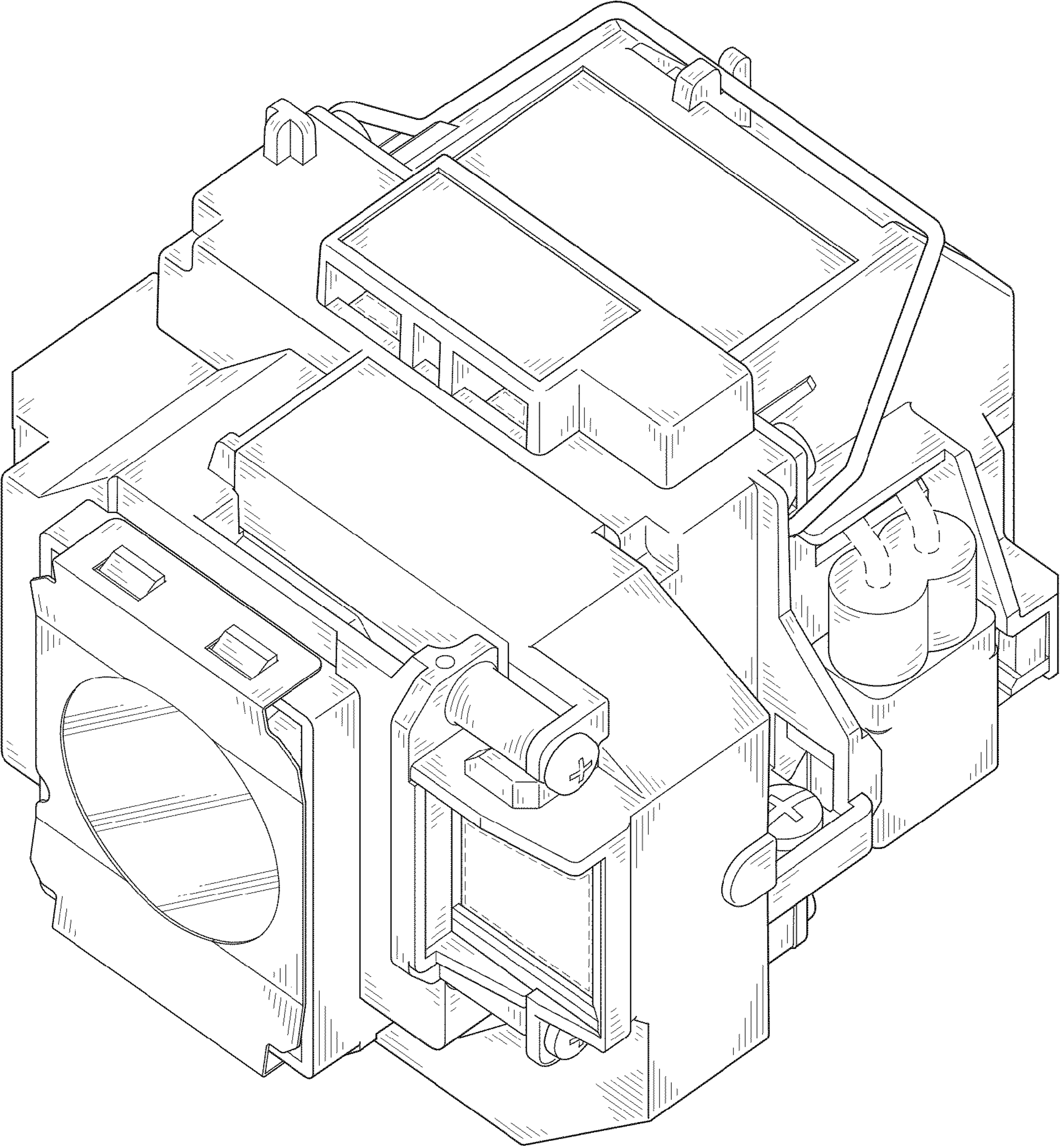


FIG. 1

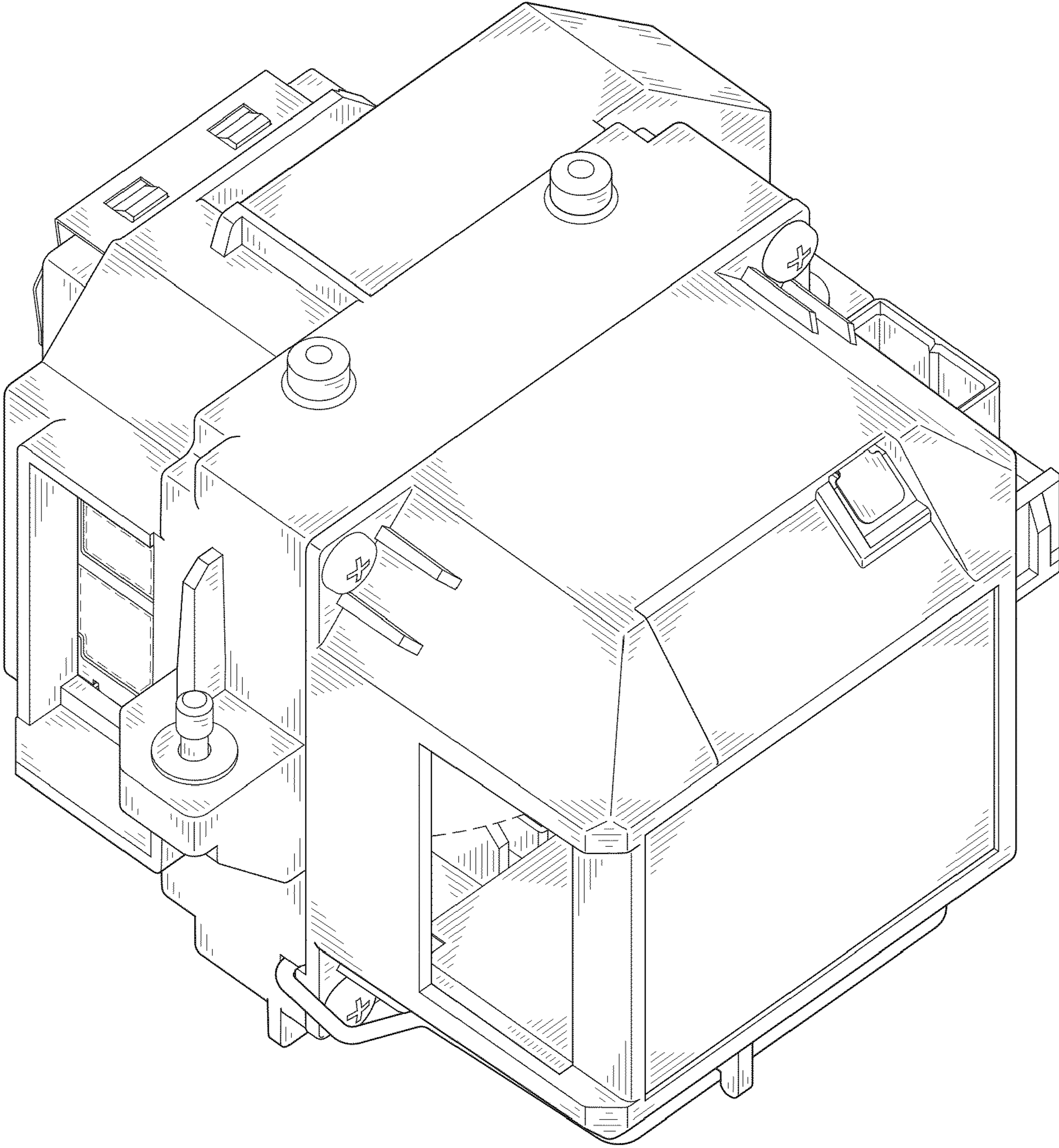


FIG. 2

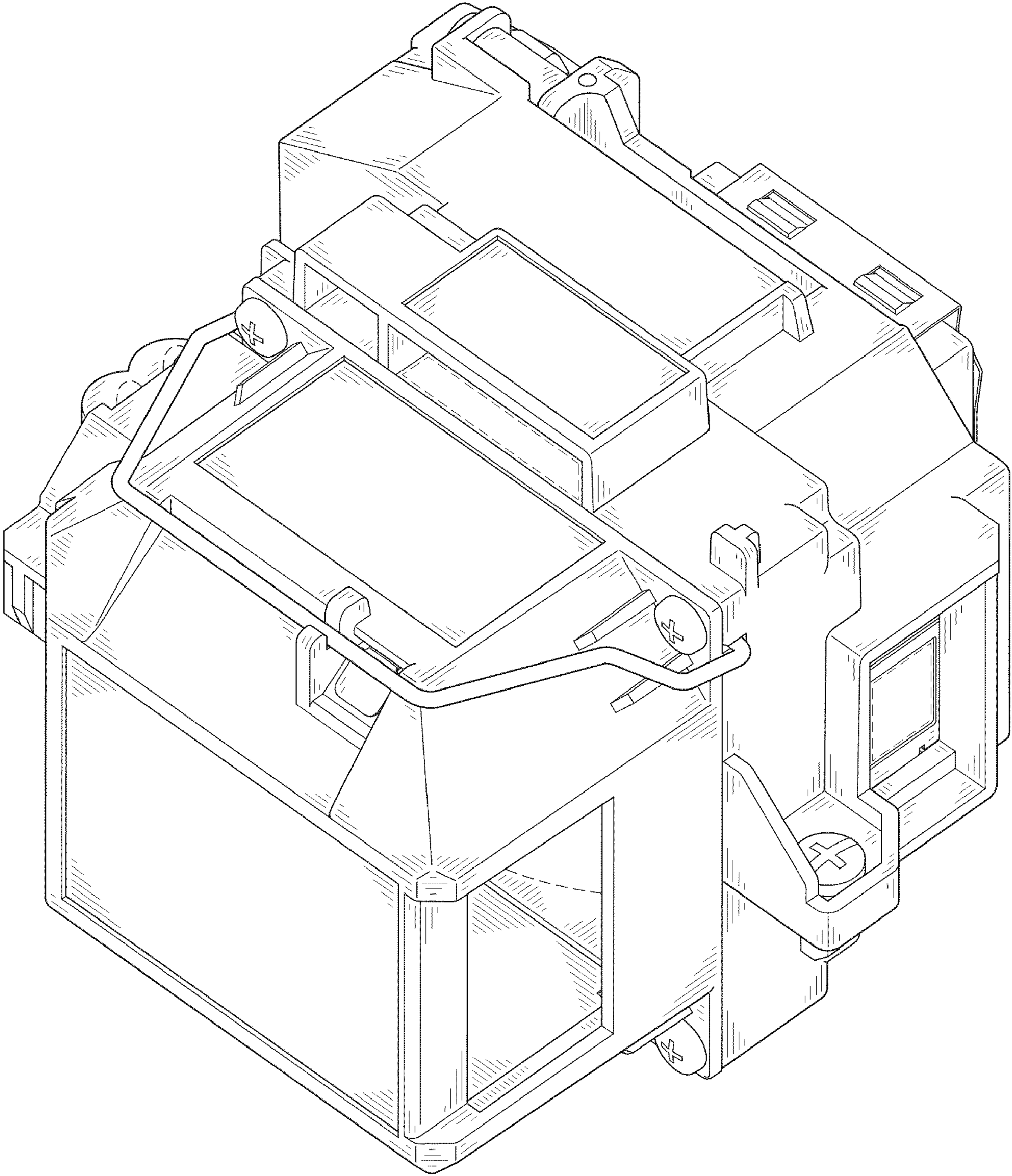


FIG. 3

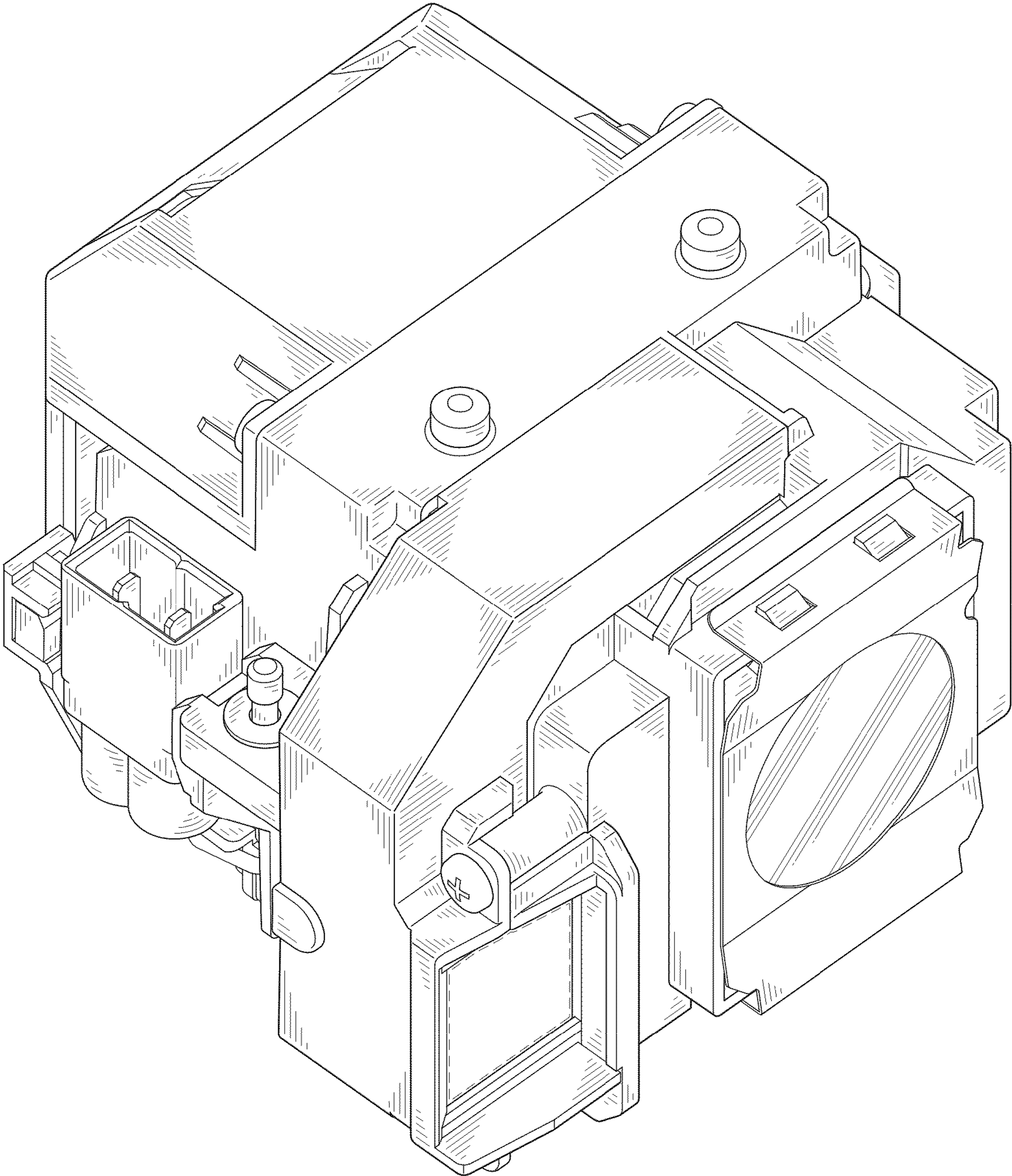


FIG. 4

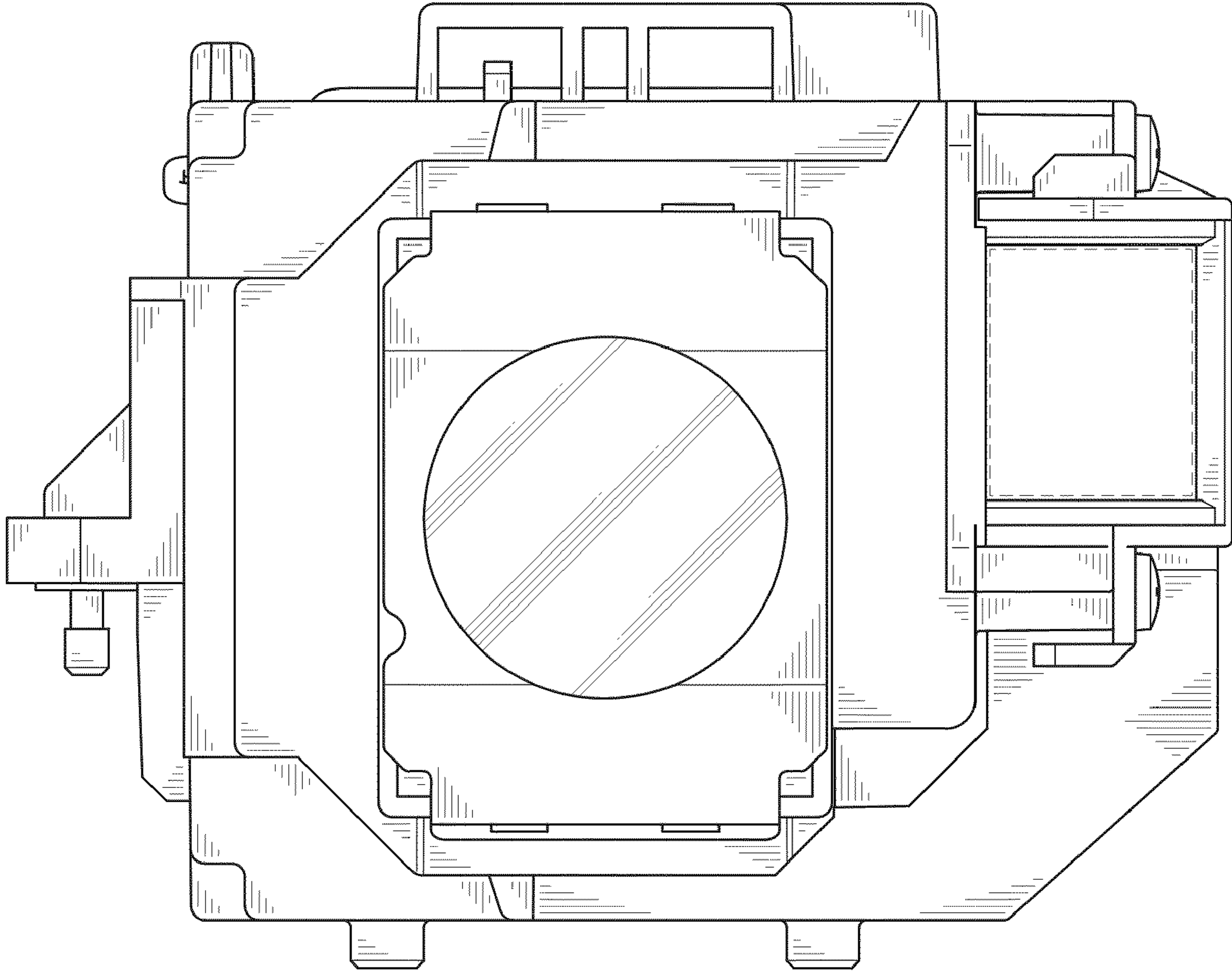


FIG. 5

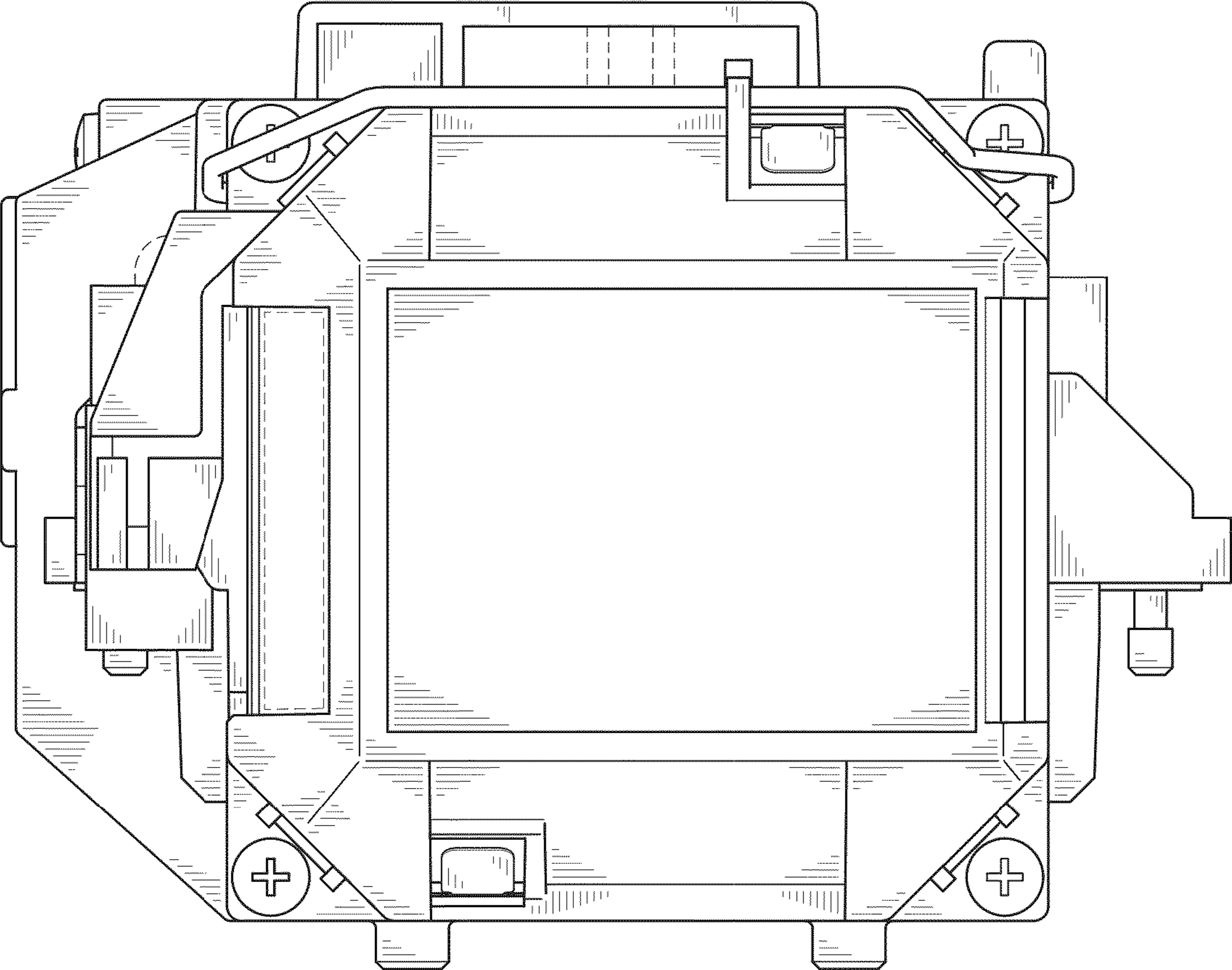


FIG. 6

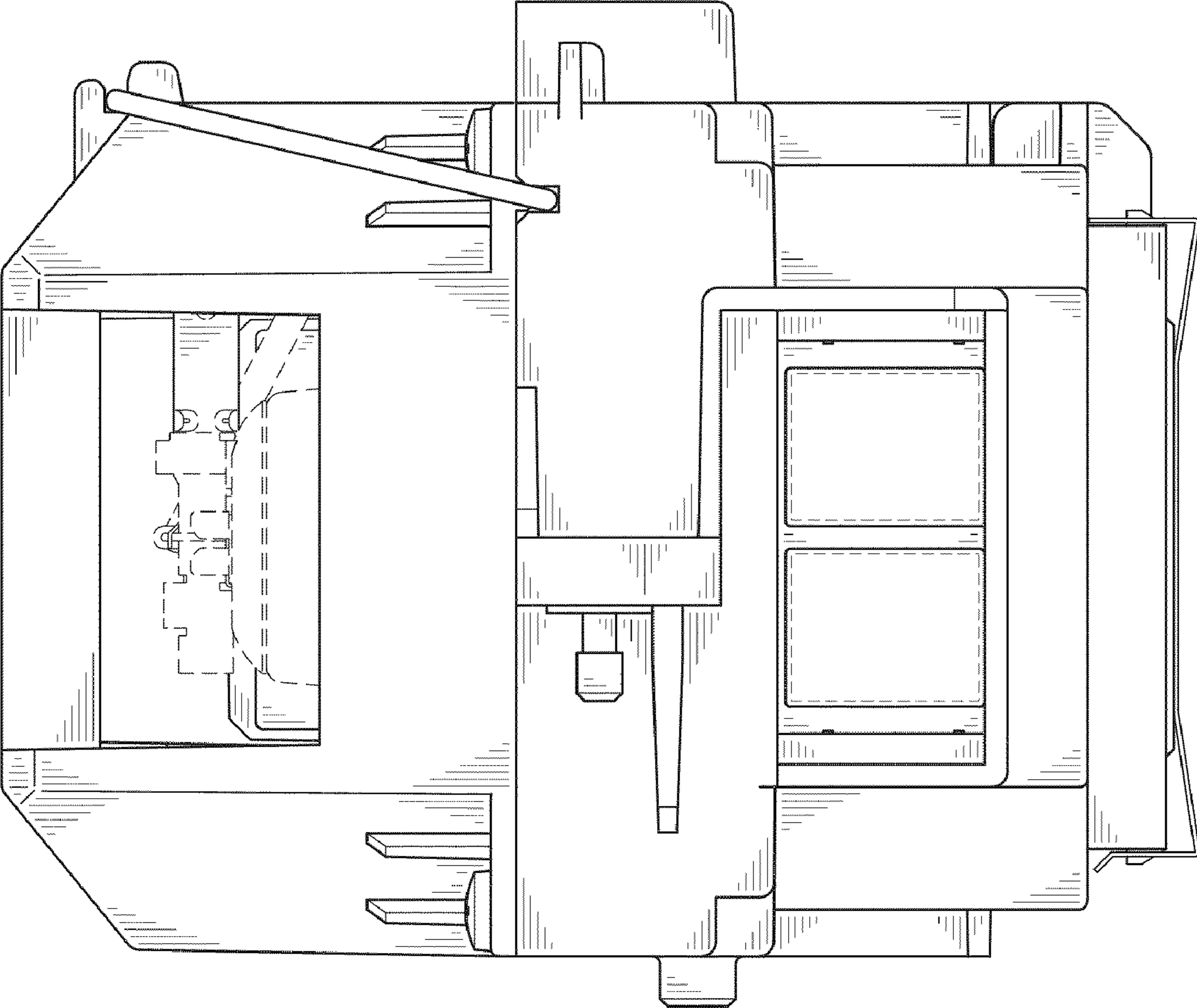


FIG. 7

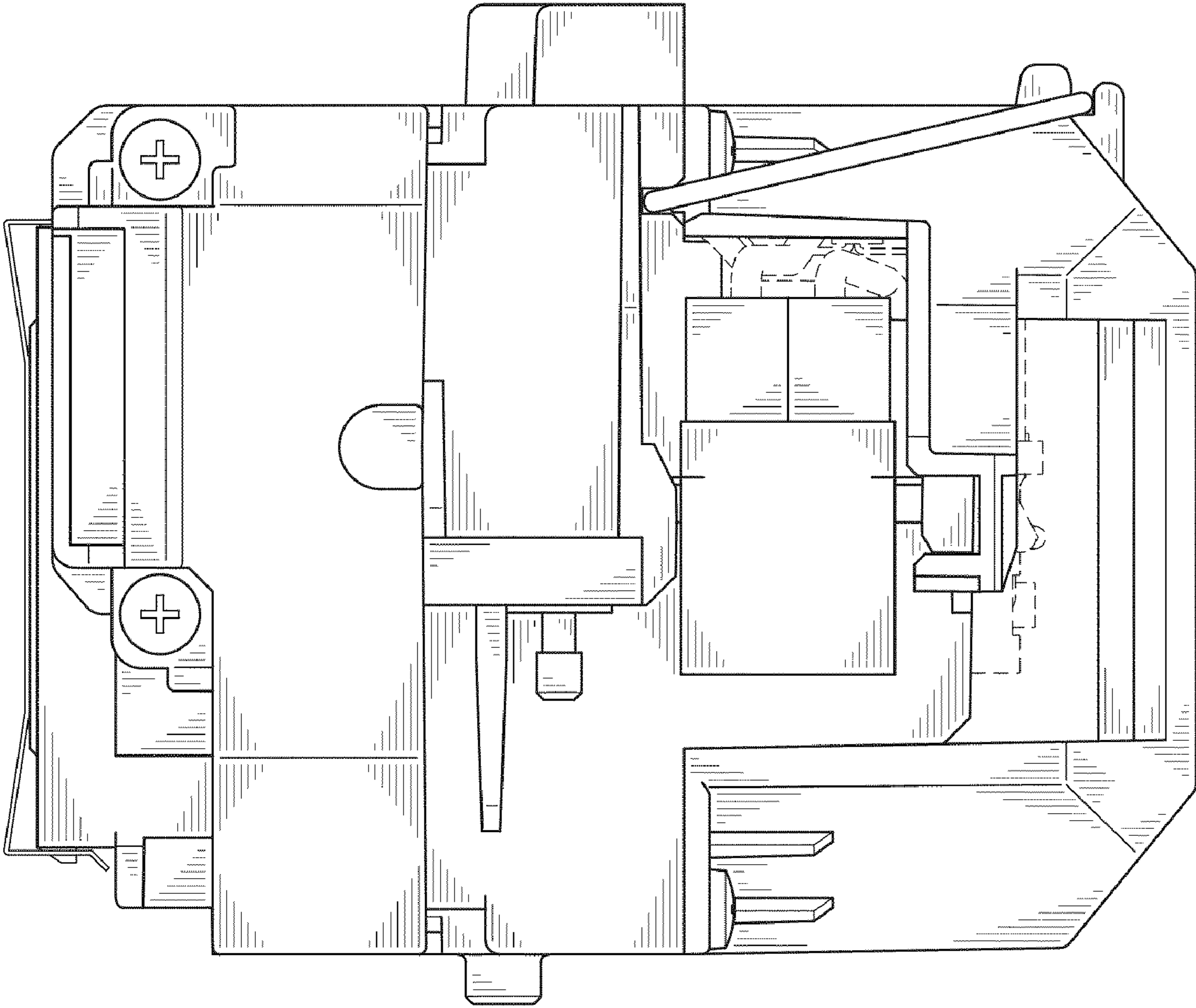


FIG. 8

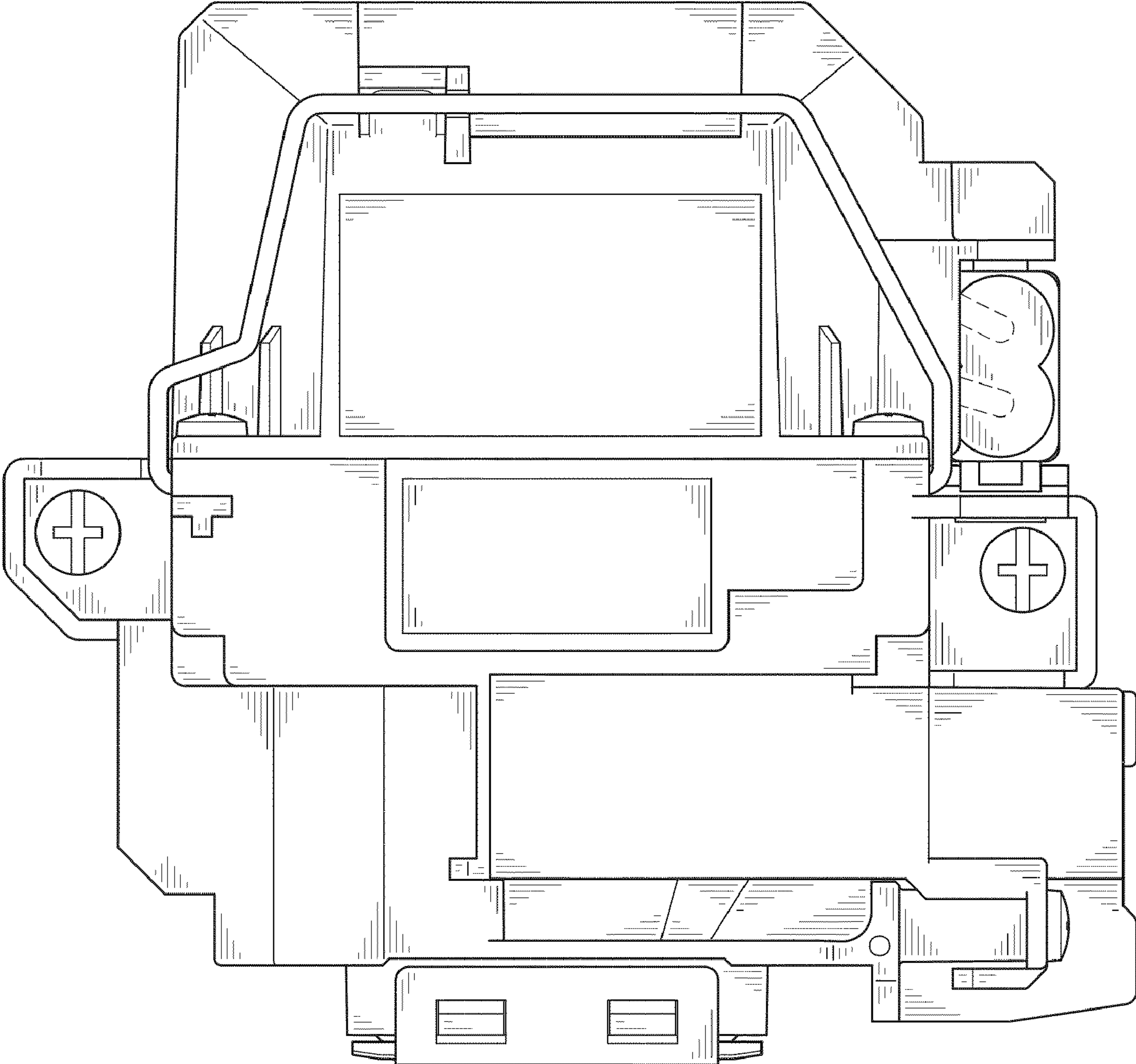


FIG. 9

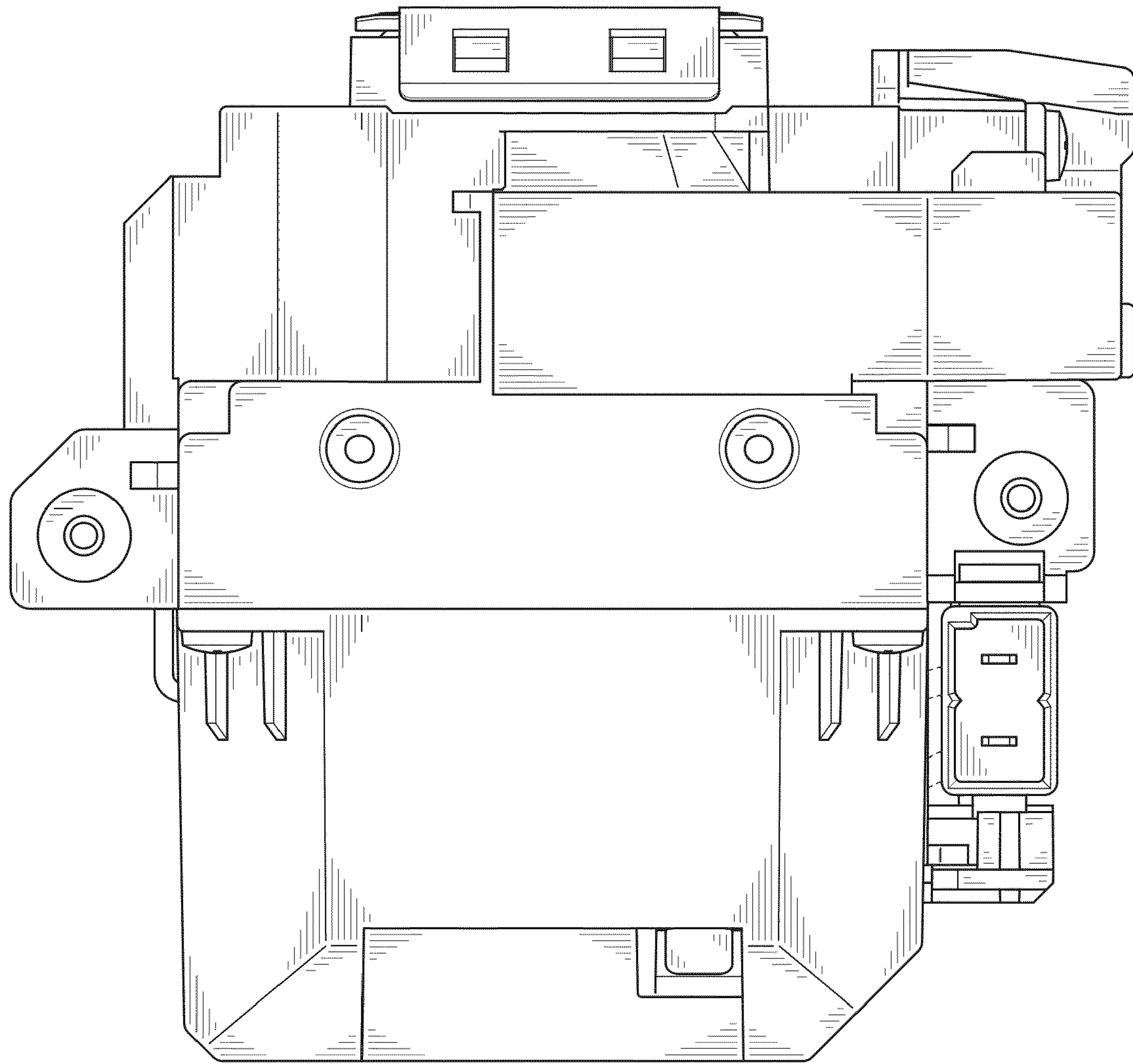


FIG.10