



US00D616911S

(12) **United States Design Patent**
Tompkin

(10) **Patent No.:** **US D616,911 S**

(45) **Date of Patent:** **** Jun. 1, 2010**

(54) **PROJECTOR**

(75) Inventor: **Crispian Tompkin**, Los Angeles, CA
(US)

(73) Assignee: **MerchSource, LLC**, Foothill Ranch, CA
(US)

(**) Term: **14 Years**

(21) Appl. No.: **29/340,176**

(22) Filed: **Jul. 14, 2009**

(51) **LOC (9) Cl.** **16-02**

(52) **U.S. Cl.** **D16/235; D16/225**

(58) **Field of Classification Search** D16/205,
D16/208, 229, 221, 225, 230, 231, 234-235;
D21/514; 353/115, 119, 122

See application file for complete search history.

(56) **References Cited**

U.S. PATENT DOCUMENTS

D185,994 S *	8/1959	Lanigan	D16/234
D204,032 S *	3/1966	Herbst et al.	D16/234
D365,587 S *	12/1995	Saeki et al.	D16/234
D398,019 S *	9/1998	Uehara	D16/231
D449,061 S *	10/2001	Lim	D16/231
D491,971 S	6/2004	Oross et al.		
D505,690 S *	5/2005	Pininfarina	D16/230
D505,691 S *	5/2005	Pininfarina	D16/230
D506,217 S *	6/2005	Pininfarina	D16/230
7,083,289 B2	8/2006	Oross et al.		
D565,078 S *	3/2008	Funaki et al.	D16/231

D605,682 S * 12/2009 Messner D16/230
2005/0041221 A1 * 2/2005 Buroni 353/119

* cited by examiner

Primary Examiner—Stella M Reid

Assistant Examiner—Wan Laymon

(74) *Attorney, Agent, or Firm*—The Eclipse Group LLP

(57) **CLAIM**

I claim the ornamental design for a projector, as shown and described.

DESCRIPTION

FIG. 1 is a top perspective view of a projector.

FIG. 2 is a top plan view of the projector illustrated in FIG. 1.

FIG. 3 is a front elevation view of the projector illustrated in FIG. 1.

FIG. 4 is a rear elevation view of the projector illustrated in FIG. 1.

FIG. 5 is a bottom plan view of the projector illustrated in FIG. 1.

FIG. 6 is an elevation view of the left side of the projector illustrated in FIG. 1; and,

FIG. 7 is an elevation view of the right side of the projector illustrated in FIG. 1.

The portions of the projector in broken lines are shown for illustrative purposes only and form no part of the claimed design.

1 Claim, 4 Drawing Sheets

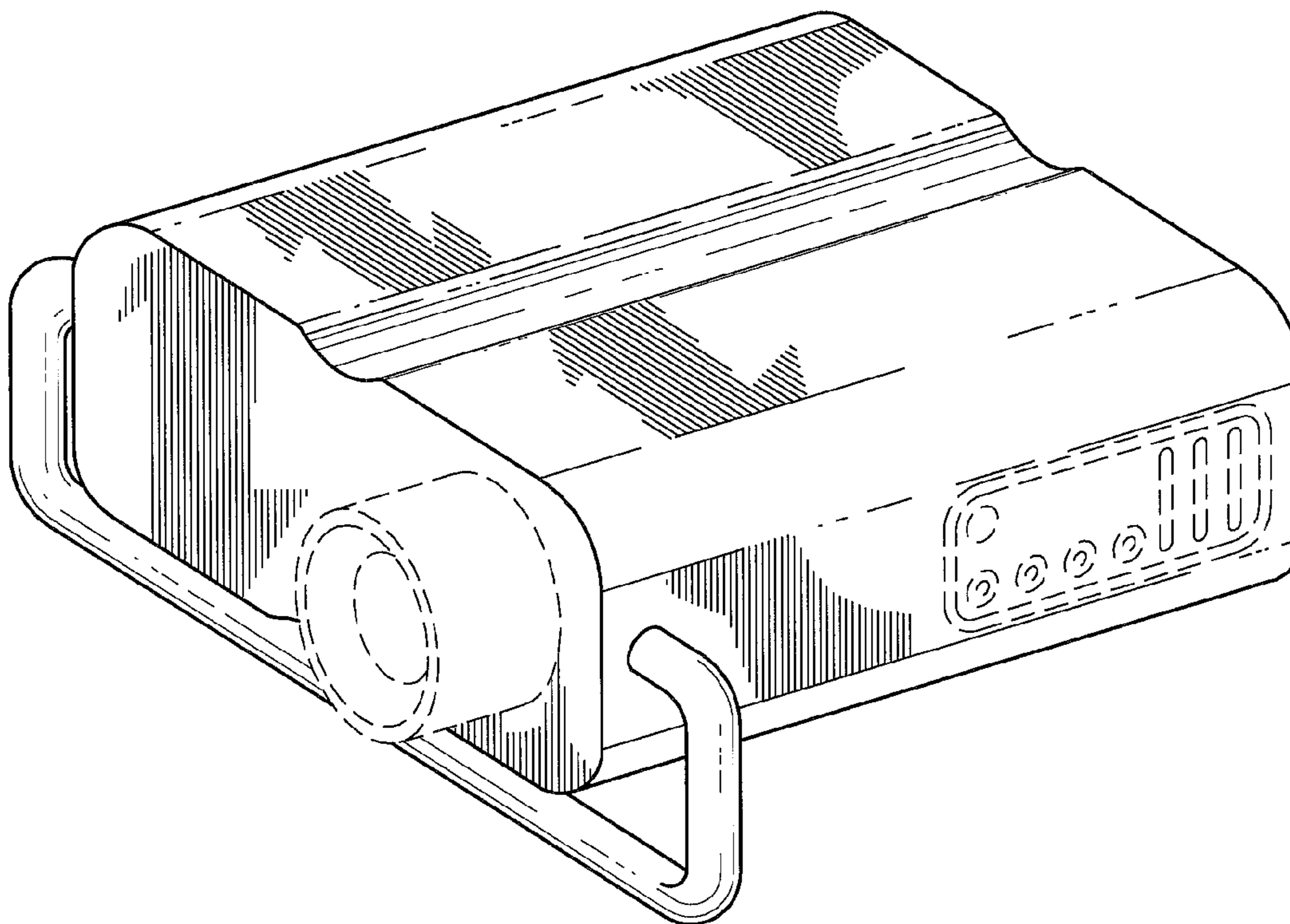


FIG. 1

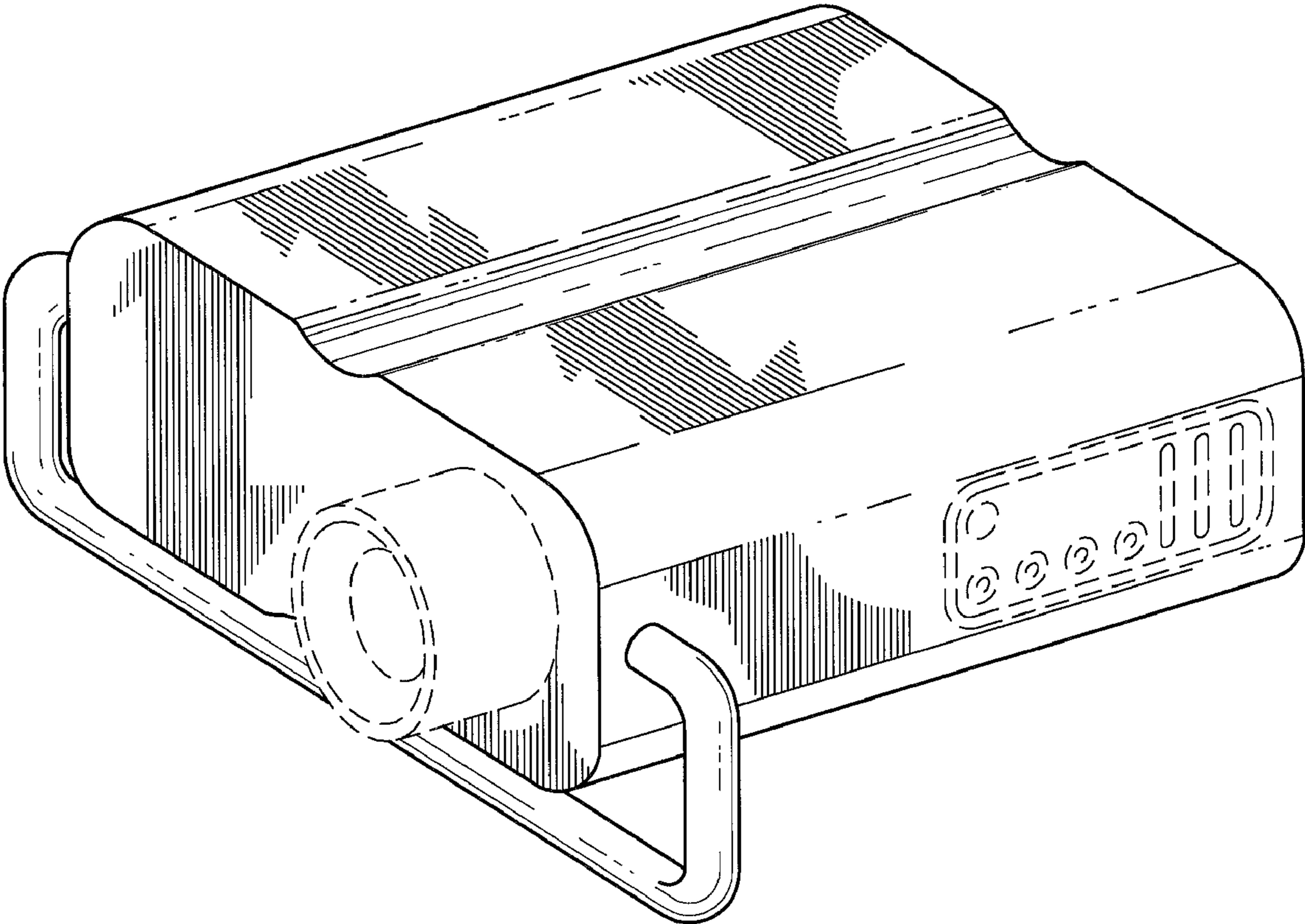


FIG. 2

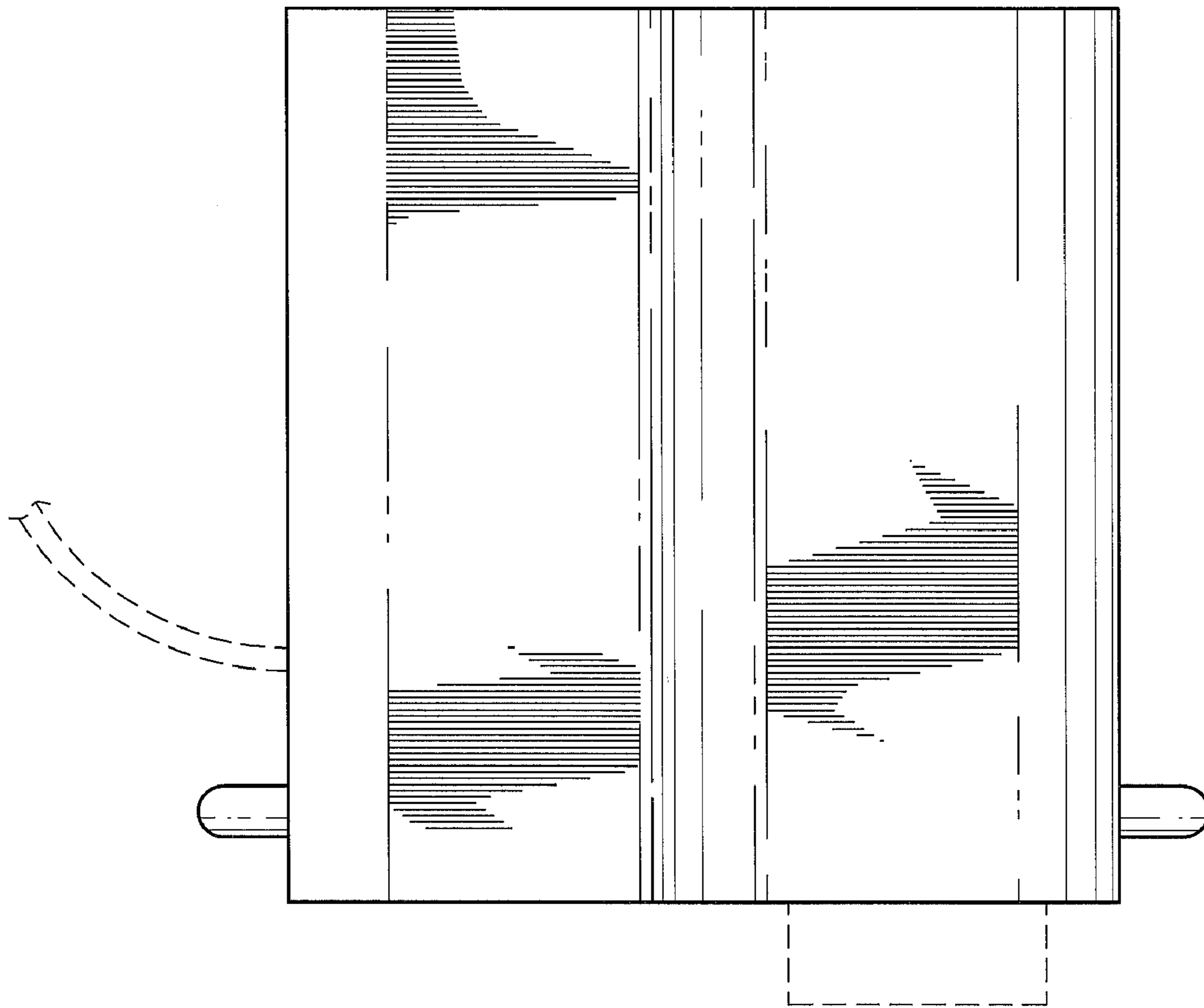


FIG. 3

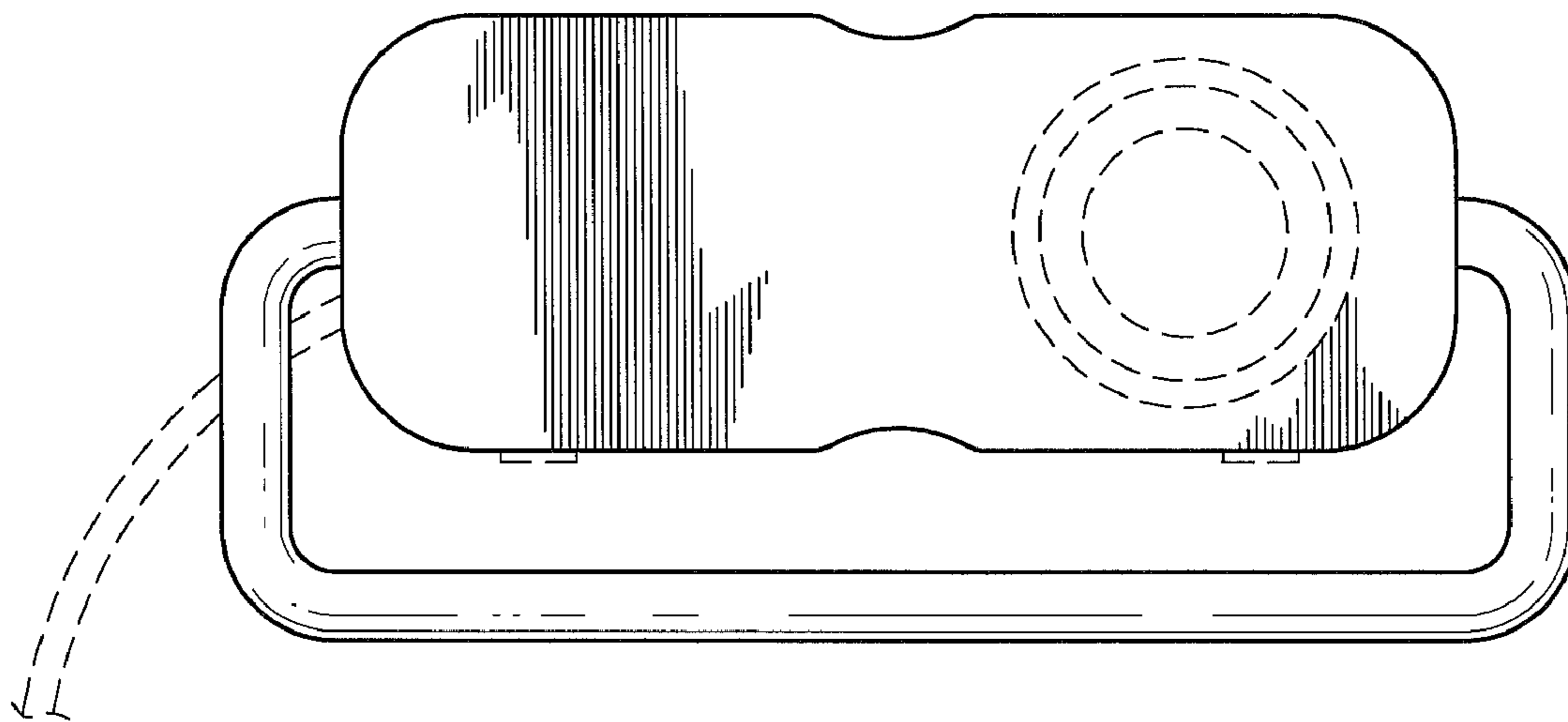


FIG. 4

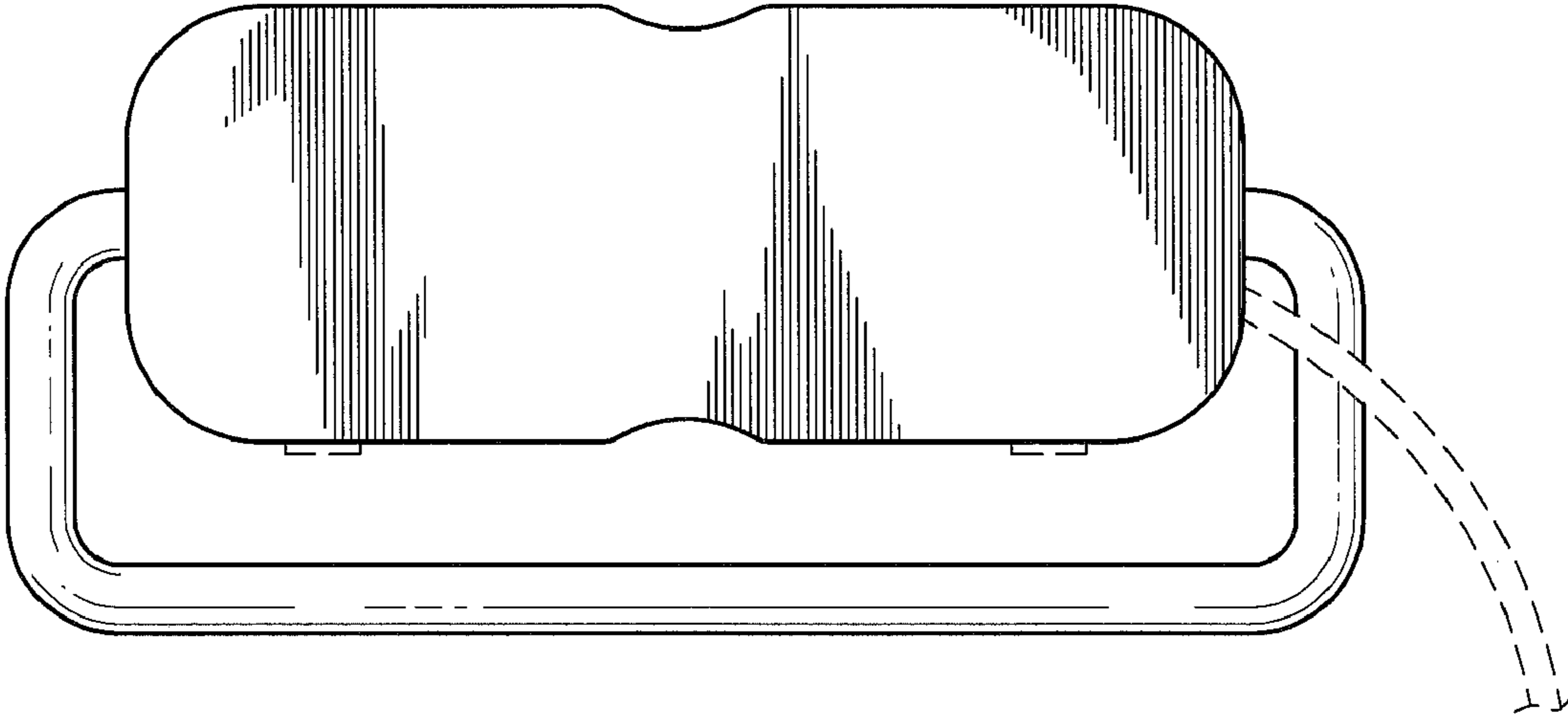


FIG. 5

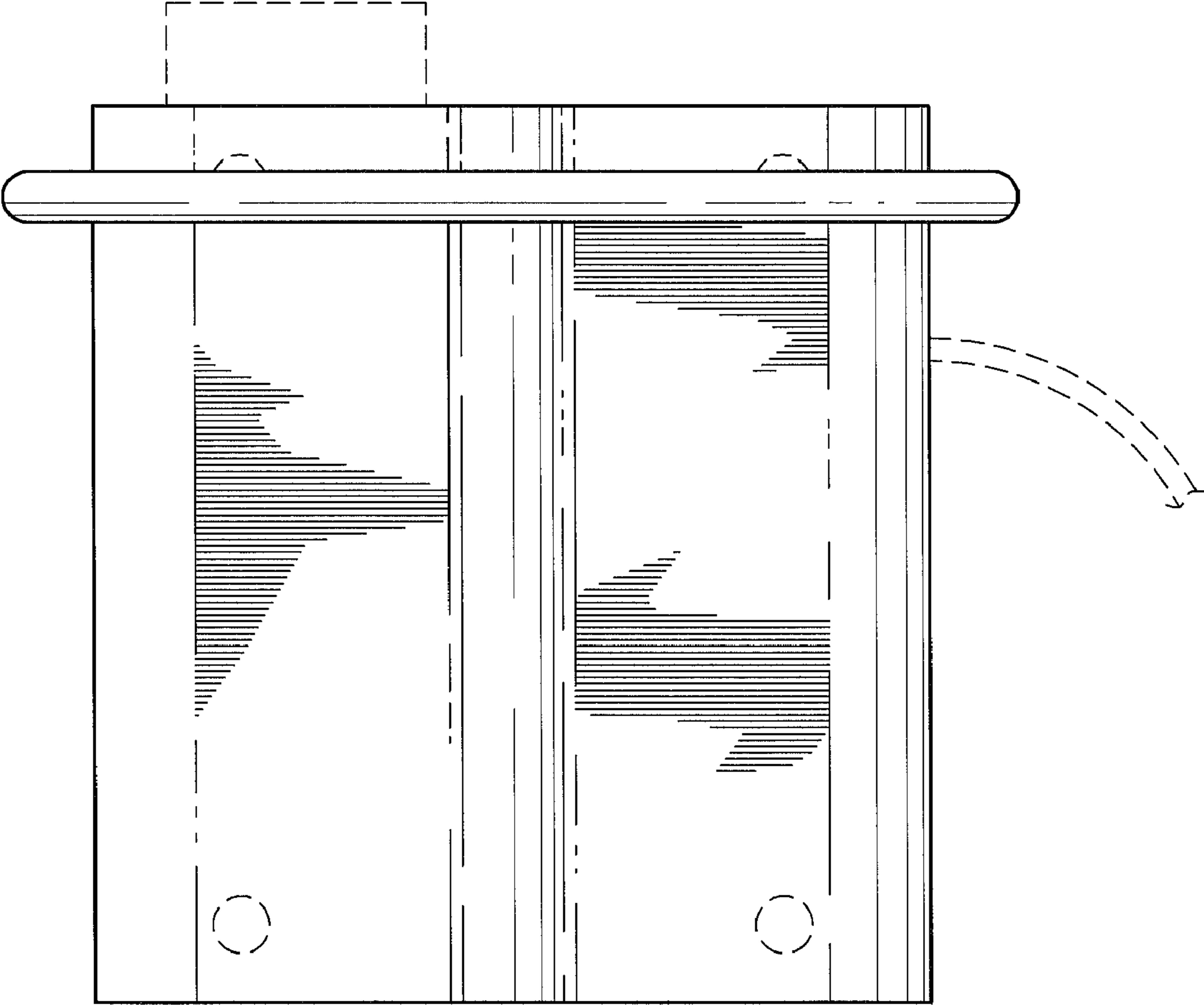


FIG. 6

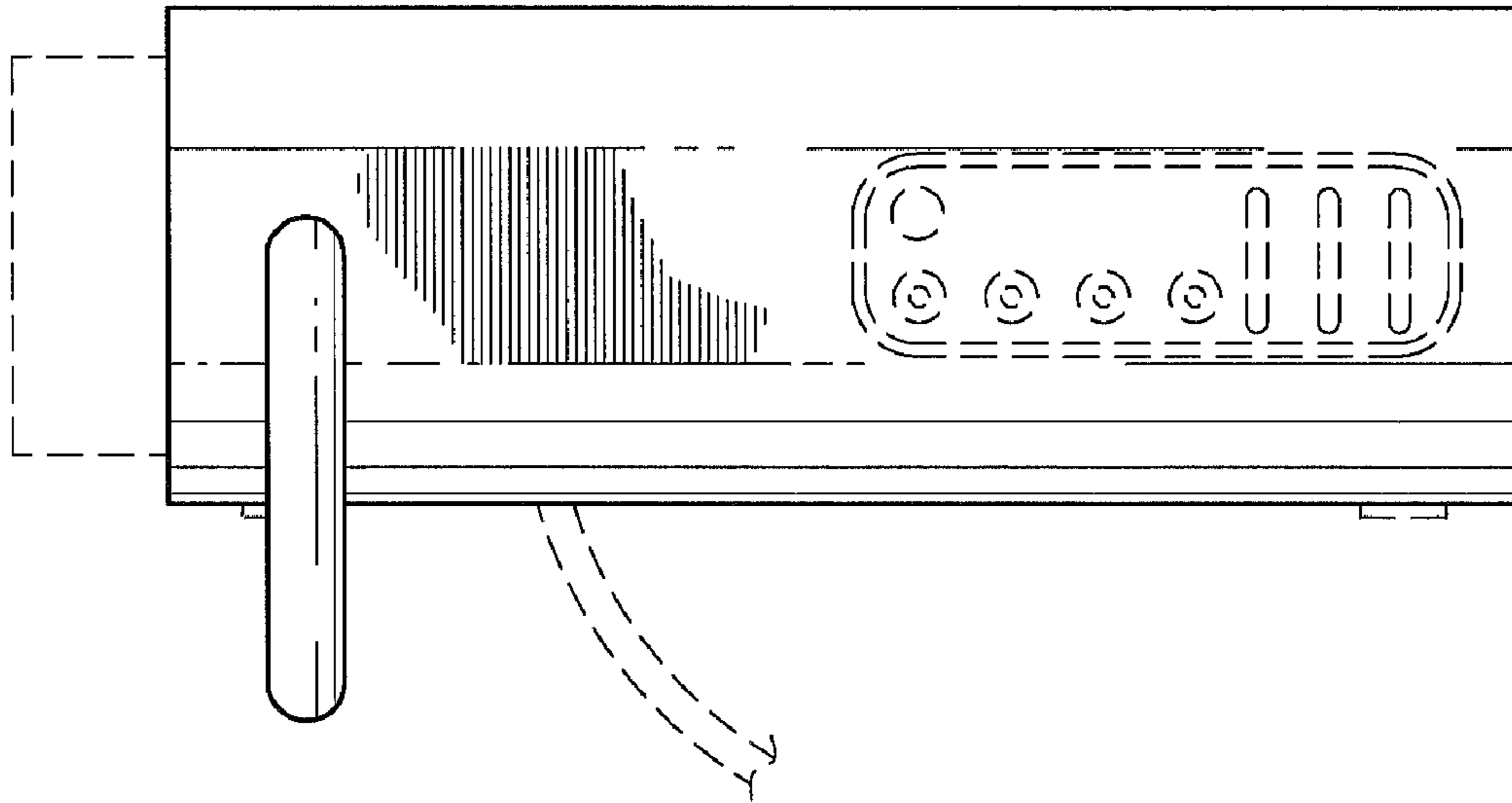


FIG. 7

