



US00D616907S

(12) **United States Design Patent**  
**Eirich**

(10) **Patent No.:** **US D616,907 S**

(45) **Date of Patent:** **\*\* Jun. 1, 2010**

(54) **INSIDE-OUTSIDE NO-COAT ROLLOR WITH SLIDE LOCK AND CENTER NIB**

*Primary Examiner*—Sandra Snapp  
*Assistant Examiner*—Patricia Palasik

(76) **Inventor:** **William Shane Eirich**, 61535 S. Hwy.-97, Ste. 9-1963, Bend, OR (US) 97702

(57) **CLAIM**

The ornamental design for a inside-outside no-coat rollor with slide lock and center nib, as shown and described.

(\*\*) **Term:** **14 Years**

(21) **Appl. No.:** **29/308,745**

**DESCRIPTION**

(22) **Filed:** **Jul. 3, 2008**

(51) **LOC (9) Cl.** ..... **15-99**

Cross-Reference to Related Applications: U.S. Pat. Nos. 3,925,145; 4,197,624; 5,368,461; 5,765,772; 5,823,455; 2004/0129387.

(52) **U.S. Cl.** ..... **D15/199**

(58) **Field of Classification Search** ..... D15/135, D15/136, 137, 199; 15/235.3, 235.4, 235.7, 15/235.8; 29/243.58, 266, 560, 560.1; 72/176, 72/178, 182, 211, 379.2; 156/530, 574, 577, 156/579, 580, 582; 242/588.2; 425/458, 425/460

FIG. 1—bottom view, inside-outside no-coat rollor with slide lock and center nib

FIG. 2—right side view, inside-outside no-coat rollor with slide lock and center nib

See application file for complete search history.

FIG. 3—top view, inside-outside no-coat rollor with slide lock and center nib

(56) **References Cited**

**U.S. PATENT DOCUMENTS**

3,925,145	A *	12/1975	Ames	.....	156/579
4,197,624	A *	4/1980	Lass	.....	156/579
5,368,461	A *	11/1994	Murphy	.....	425/87
5,765,772	A *	6/1998	Bay et al.	.....	242/342
5,823,455	A *	10/1998	Hable et al.	.....	242/340
2004/0129387	A1 *	7/2004	Ibrahim et al.	.....	156/577

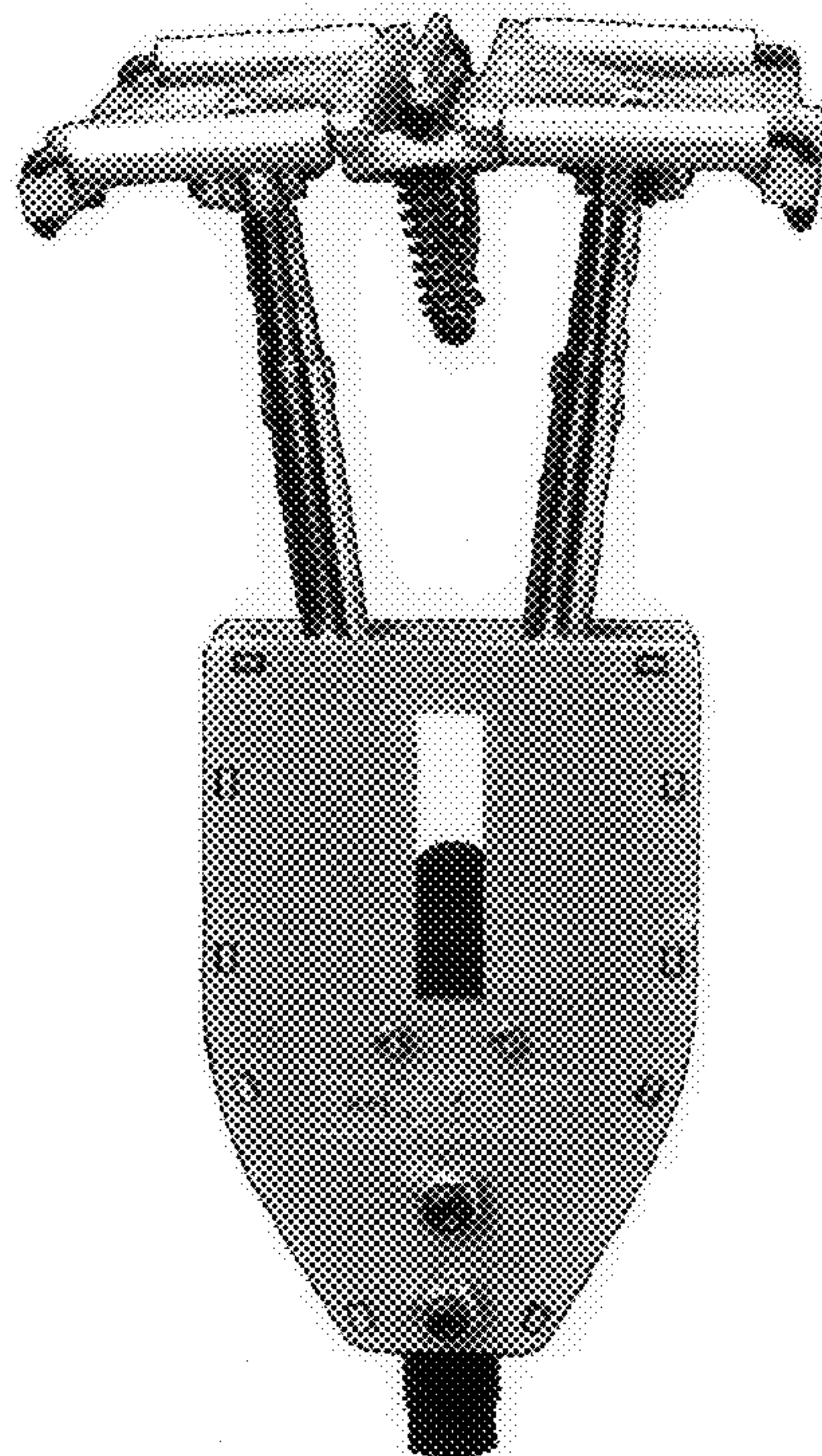
FIG. 4—back view, inside-outside no-coat rollor with slide lock and center nib

FIG. 5—left side view, inside-outside no-coat rollor with slide lock and center nib; and,

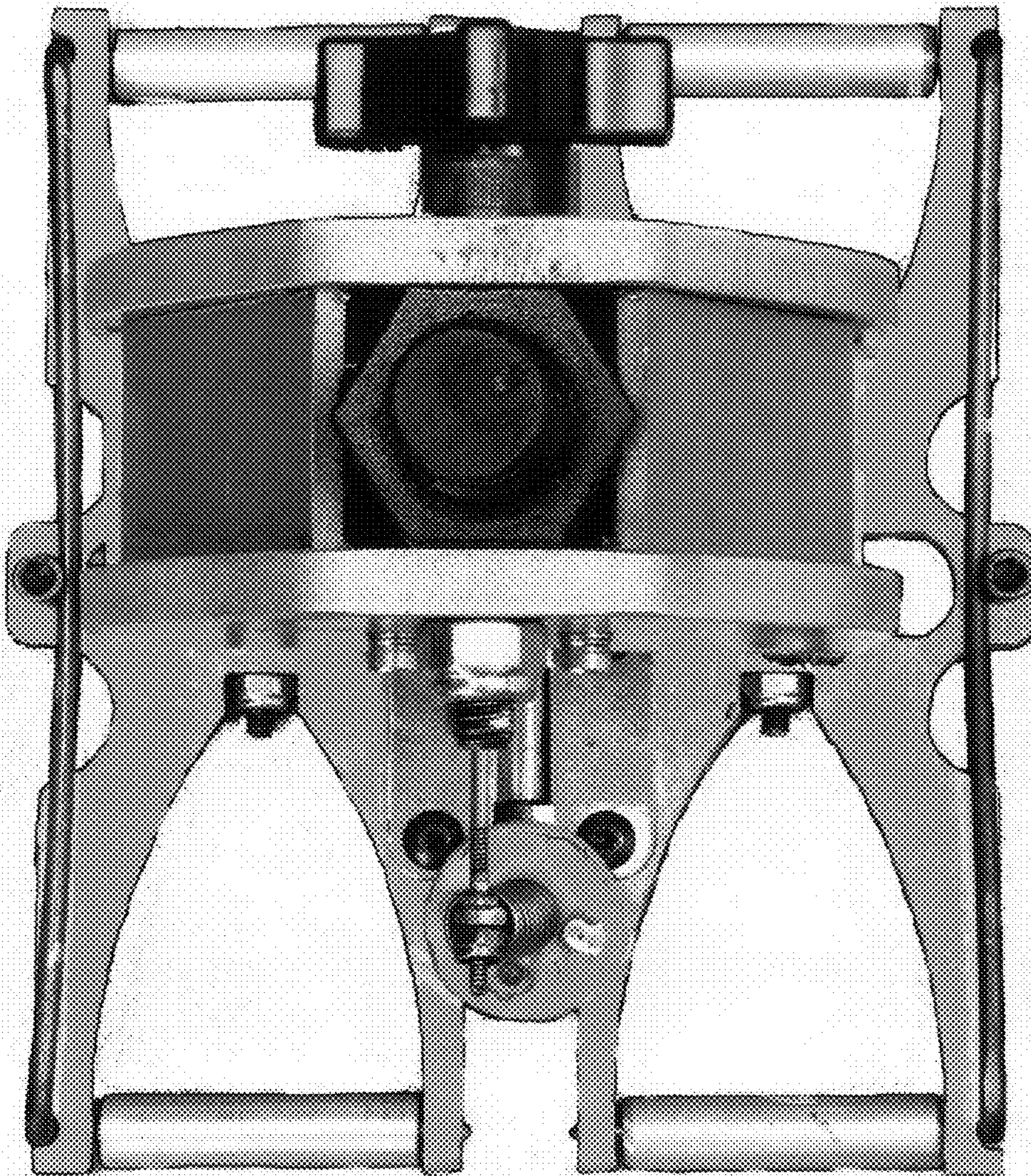
FIG. 6—front view, inside-outside no-coat rollor with slide lock and center nib.

\* cited by examiner

**1 Claim, 6 Drawing Sheets**

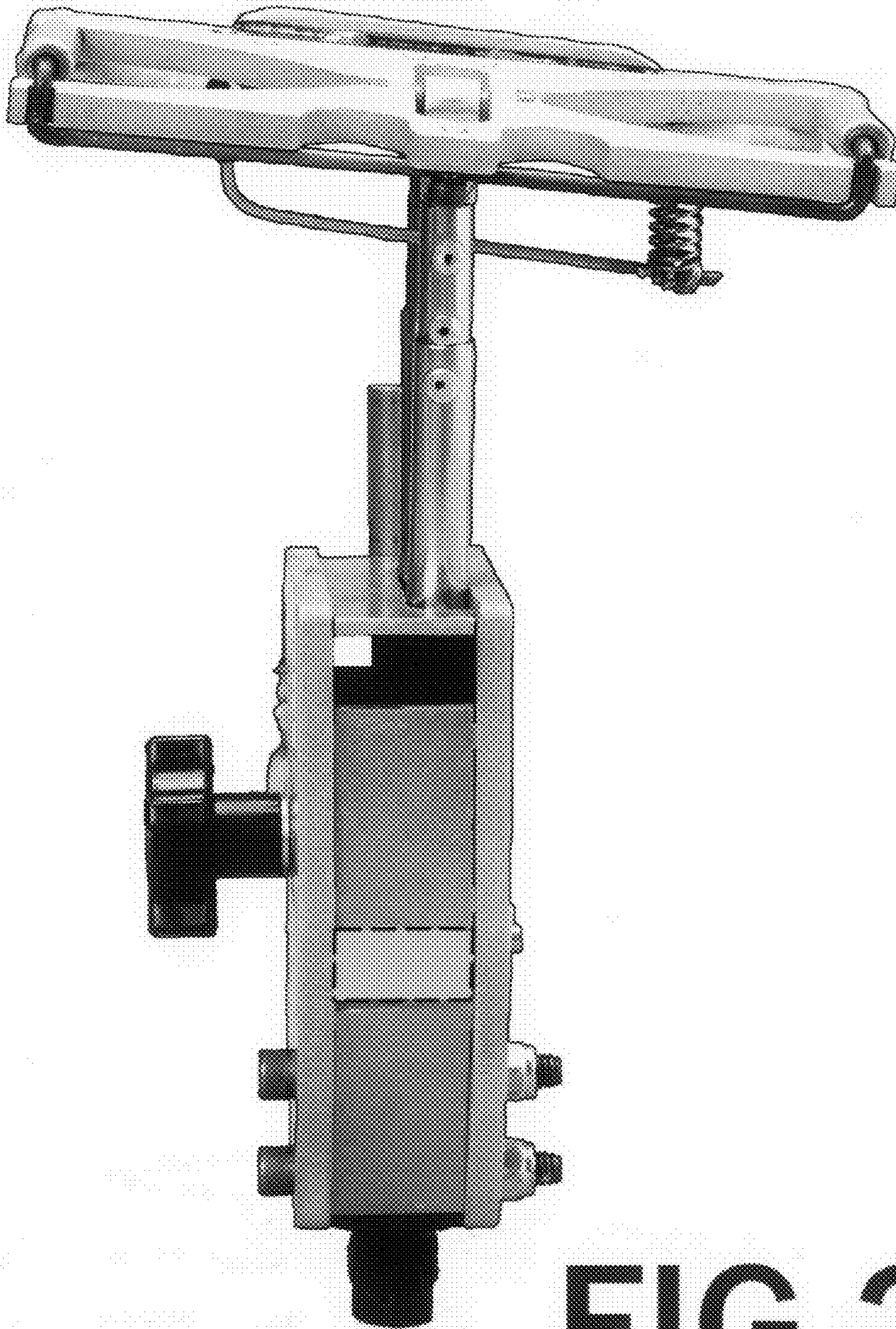






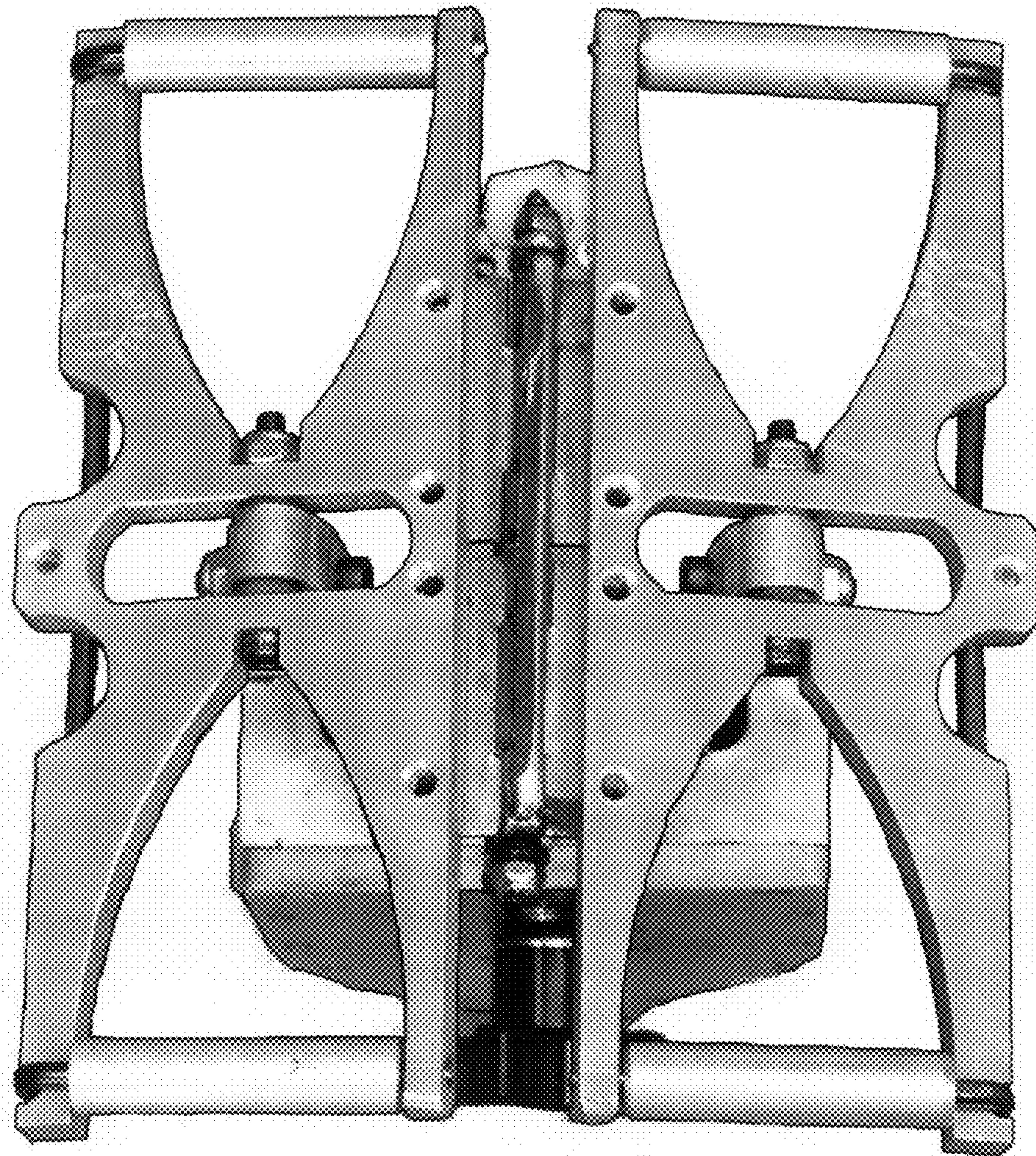
**FIG. 1**





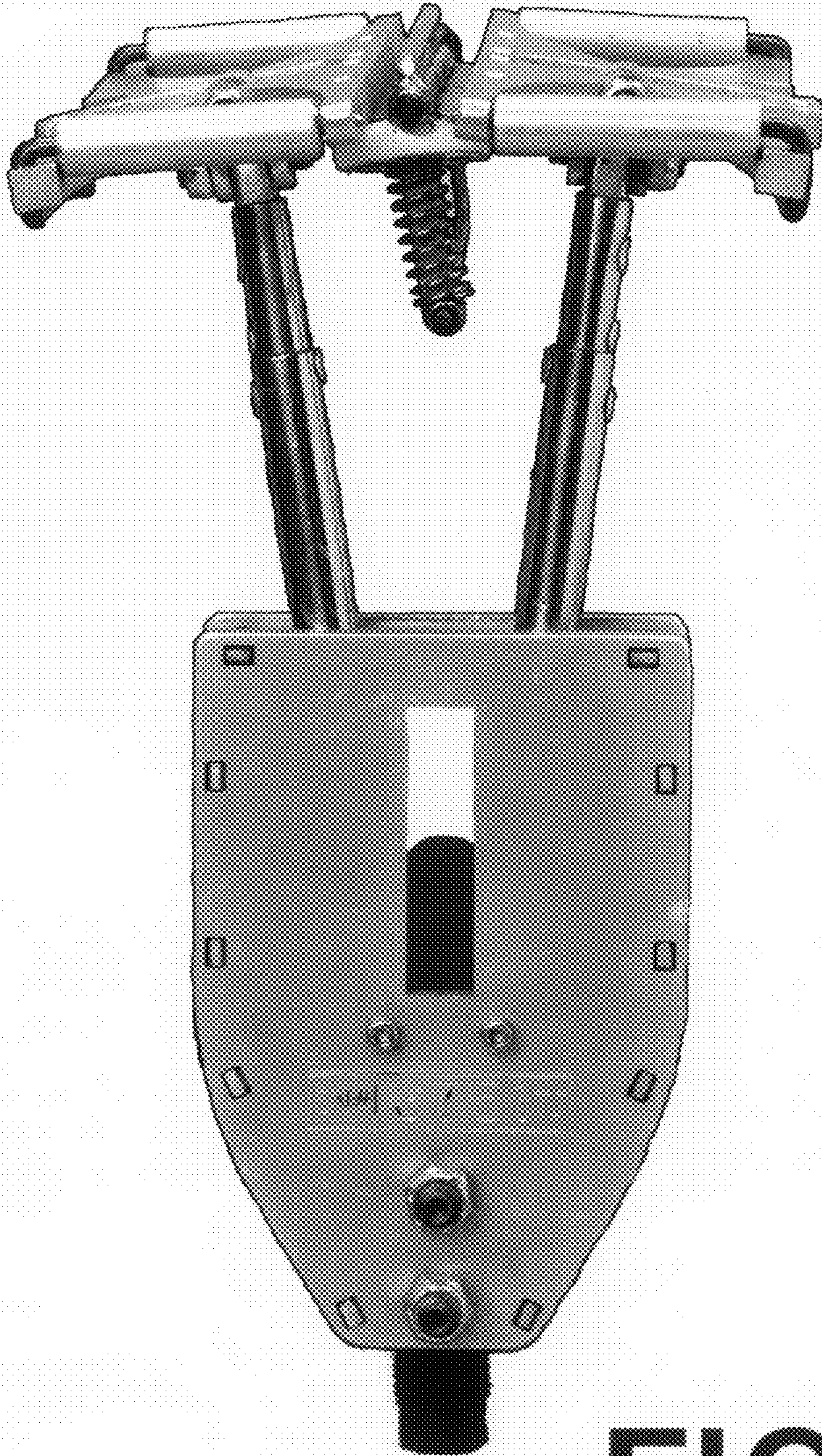
**FIG. 2**





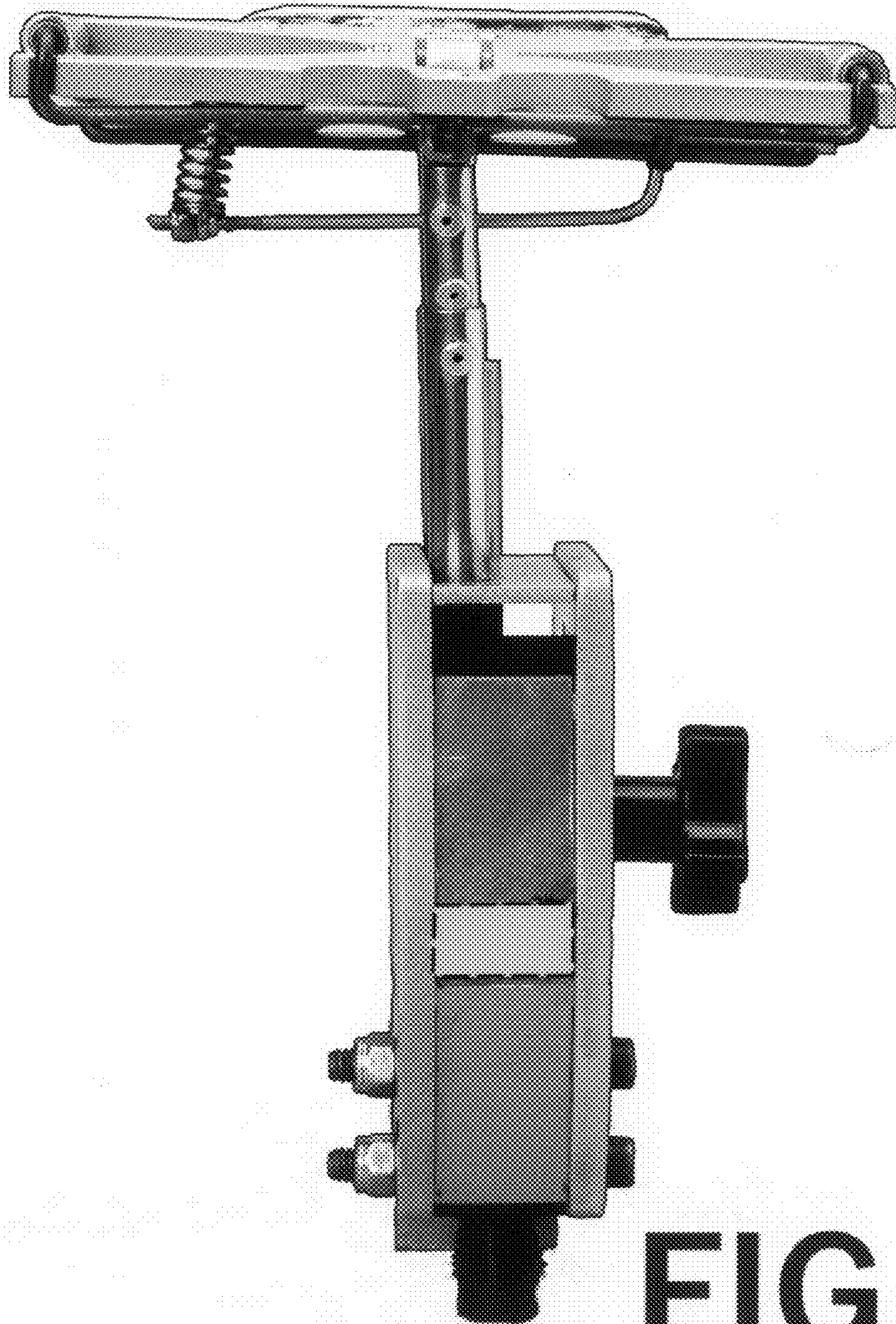
**FIG. 3**





**FIG. 4**





**FIG. 5**





**FIG. 6**