



US00D616906S

(12) **United States Design Patent**
Bender et al.

(10) **Patent No.:** **US D616,906 S**
(45) **Date of Patent:** **** Jun. 1, 2010**

(54) **WELDER FRAME**

(75) Inventors: **David Joseph Bender**, Chardon, OH (US); **Darren Stockton**, Chardon, OH (US); **Rich Lesiacsek**, Willoughby Hills, OH (US)

(73) Assignee: **Lincoln Global, Inc.**, City of Industry, CA (US)

(**) Term: **14 Years**

(21) Appl. No.: **29/345,560**

(22) Filed: **Oct. 19, 2009**

Related U.S. Application Data

(62) Division of application No. 29/325,637, filed on Oct. 3, 2008, now Pat. No. Des. 606,102.

(51) **LOC (9) Cl.** **15-09**

(52) **U.S. Cl.** **D15/144**

(58) **Field of Classification Search** D6/344, D6/348, 353, 370, 372; D13/110; D15/144, D15/144.1, 144.2; 114/112; 219/56, 57, 219/125.1, 136, 158; 901/42
See application file for complete search history.

(56) **References Cited**

U.S. PATENT DOCUMENTS

D59,357 S 10/1921 Kalenborn

(Continued)

FOREIGN PATENT DOCUMENTS

JP 2001-129911 5/2003

OTHER PUBLICATIONS

Power-Arc 5500, Operator's Manual, Copyright 2007, Lincoln Global Inc., 50 pgs.

Primary Examiner—Sandra Snapp

Assistant Examiner—Patricia Palasik

(74) *Attorney, Agent, or Firm*—Calfee, Halter & Griswold LLP

(57) **CLAIM**

I claim the ornamental design for a welder frame, as shown and described.

DESCRIPTION

FIG. 1 is a perspective view of a welder frame of the new design;

FIG. 2 is a rear view of the welder frame of FIG. 1;

FIG. 3 is a top plan view of the engine welder frame of FIG. 1;

FIG. 4 is a bottom plan view of the engine welder frame of FIG. 1;

FIG. 5 is a front view of the welder frame of FIG. 1;

FIG. 6 is a right side view of the welder frame of FIG. 1;

FIG. 7 is a left side view of the welder frame of FIG. 1;

FIG. 8 is a perspective view of a second embodiment of a welder frame of the new design;

FIG. 9 is a rear view of the welder frame of FIG. 8;

FIG. 10 is a top plan view of the engine welder frame of FIG. 8;

FIG. 11 is a bottom plan view of the welder frame of FIG. 8;

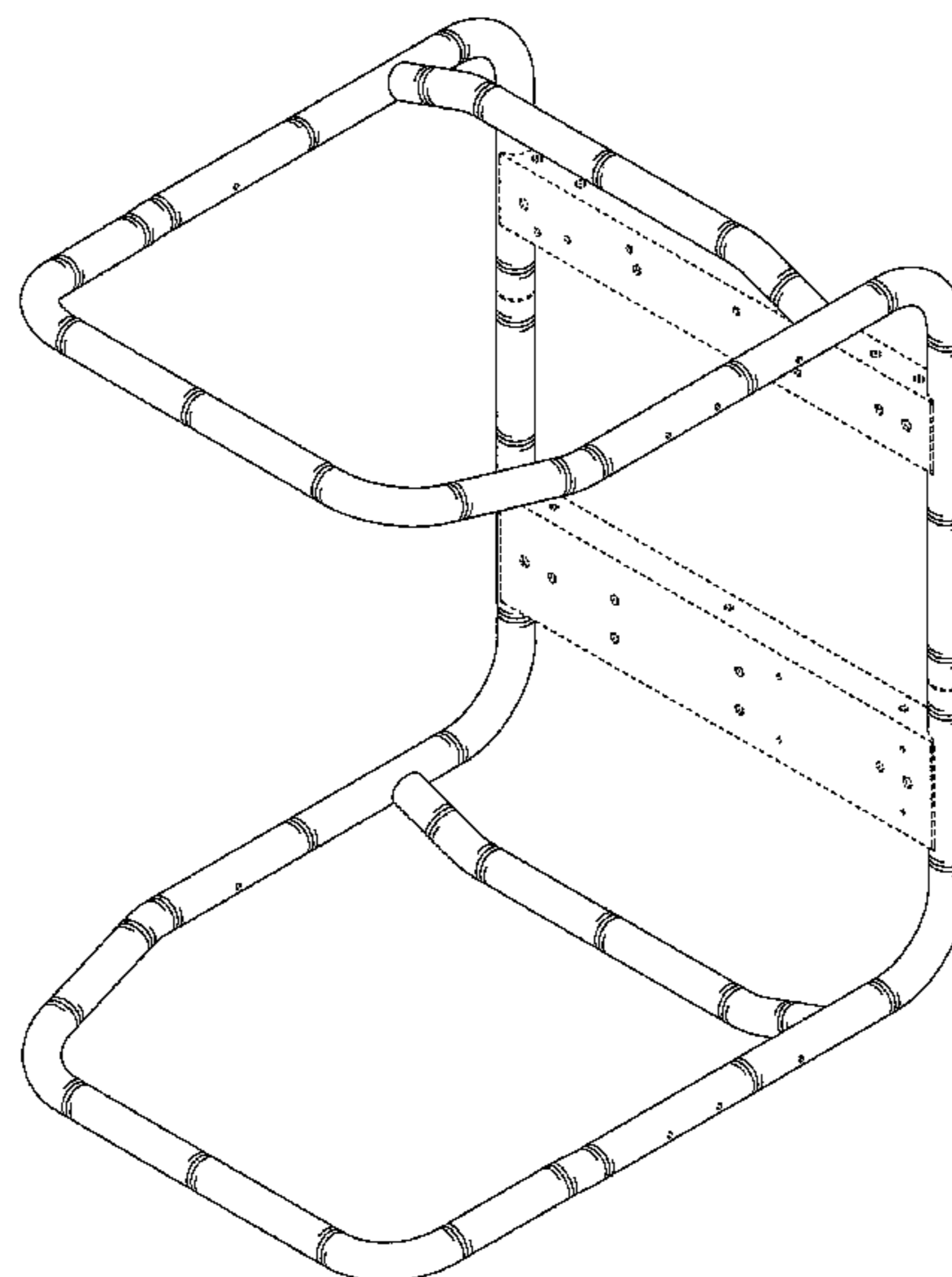
FIG. 12 is a front view of the welder frame of FIG. 8;

FIG. 13 is a right side view of the welder frame of FIG. 8; and,

FIG. 14 is a left side view of the welder frame of FIG. 8.

The portions of the Figures shown in phantom lines form no part of the claimed design and for illustrative purposes only.

1 Claim, 8 Drawing Sheets



US D616,906 S

Page 2

U.S. PATENT DOCUMENTS

D105,931 S *	9/1937	Adams	D6/370	6,695,401 B1 *	2/2004	Noll	297/281
D108,710 S	3/1938	Akins			D501,182 S	1/2005	Buck		
D118,040 S *	12/1939	Glikison	D6/372	D518,078 S	3/2006	Persson		
D152,049 S	12/1948	Welch, Jr.			D562,016 S *	2/2008	Tomasch et al.	D6/349
D214,494 S *	6/1969	Ellsworth	D6/349	D566,029 S *	4/2008	Swinson, III	D12/217
3,695,702 A *	10/1972	Ingellis	297/440.24	D583,743 S *	12/2008	Swinson, III	D12/217
D235,234 S *	6/1975	Johnson	D6/349	2004/0168654 A1	9/2004	Radtke		
D251,639 S *	4/1979	Colby	D6/353	2004/0182845 A1	9/2004	Crisler et al.		
D265,952 S *	8/1982	Theodore	D6/336	2006/0081577 A1	4/2006	Andersen et al.		
D290,911 S *	7/1987	Pomeroy et al.	D6/347	2007/0263760 A1	11/2007	Taillandier		
D308,608 S *	6/1990	Arnold	D6/411	2008/0238107 A1	10/2008	Yamamoto		
D341,037 S *	11/1993	Pomeroy et al.	D6/370					
D351,740 S *	10/1994	Tesmer	D6/362					
D355,780 S *	2/1995	Noll	D6/372					
D383,913 S *	9/1997	Ahlstrom	D6/348					
5,685,440 A	11/1997	Mason							
5,965,949 A *	10/1999	Fukuda et al.	290/1 A					
D433,040 S *	10/2000	Kriek	D15/144.2					
D434,428 S	11/2000	Kriek							
D449,454 S *	10/2001	Pomeroy et al.	D6/344					
D472,519 S *	4/2003	Buck	D13/114					
D475,726 S	6/2003	Suga et al.							
6,596,972 B1	7/2003	DiNovo et al.							
D486,447 S *	2/2004	Fan	D13/114					

OTHER PUBLICATIONS

Power-Arc 4000, Operator's Manual, Copyright 2003, Lincoln Global Inc., 50 pgs.

Renegade 180 brochure, Miller Electric Mfg. Co., issued Jan. 2008, 8 pgs.

Two page printout from http://www.zena.net/htdocs/welders/wldpic_me.shtml, printed Oct. 1, 2008, Do It Yourself Engine Driven Welder, Zena, Incorporated.

Notice of Allowance from U.S. Appl. No. 29/325,637 dated Sep. 30, 2009.

International Search Report and Written Opinion from PCT/IB09/007038 dated Jan. 22, 2010.

* cited by examiner

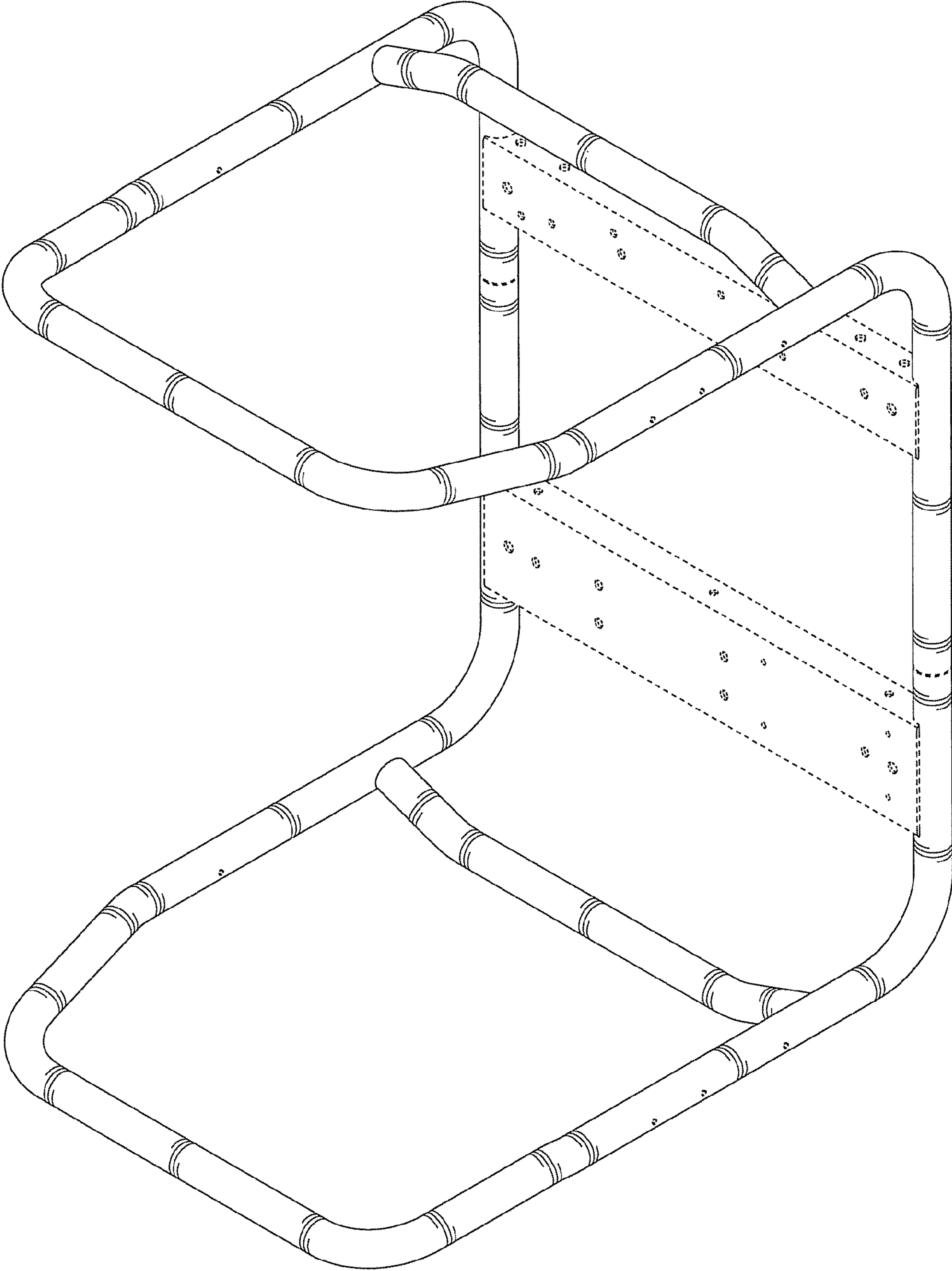


FIG. 1

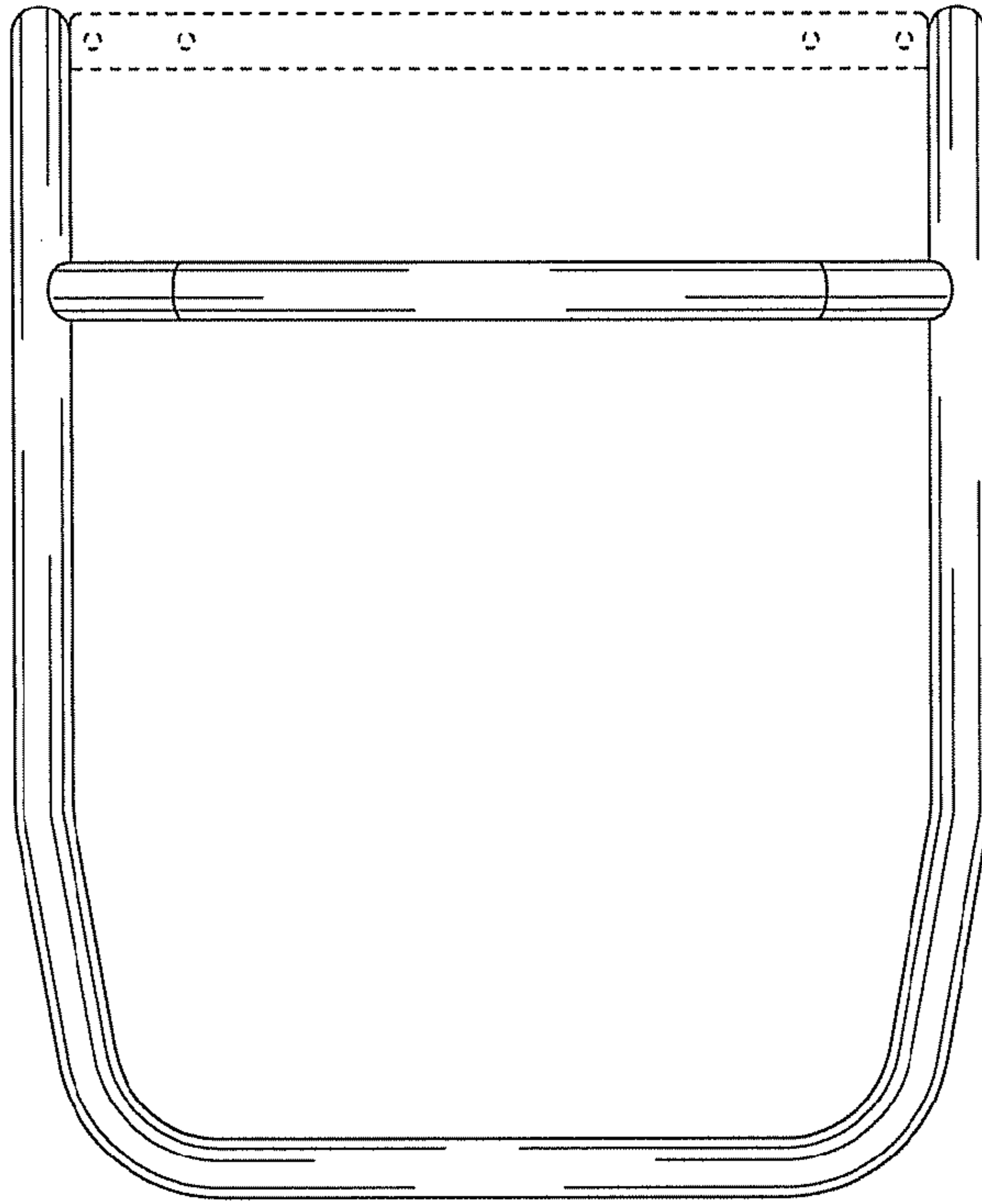


FIG. 2

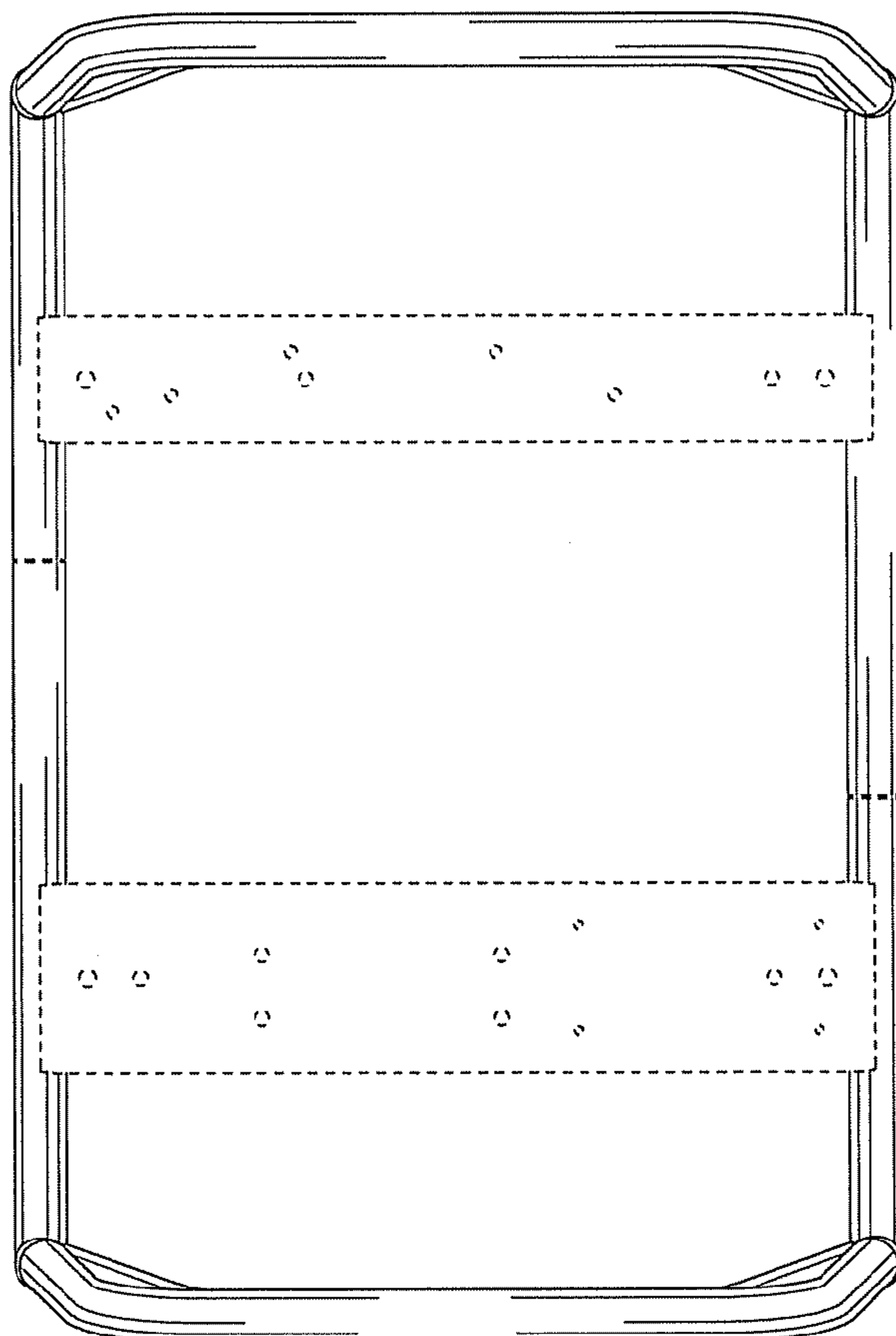


FIG. 3

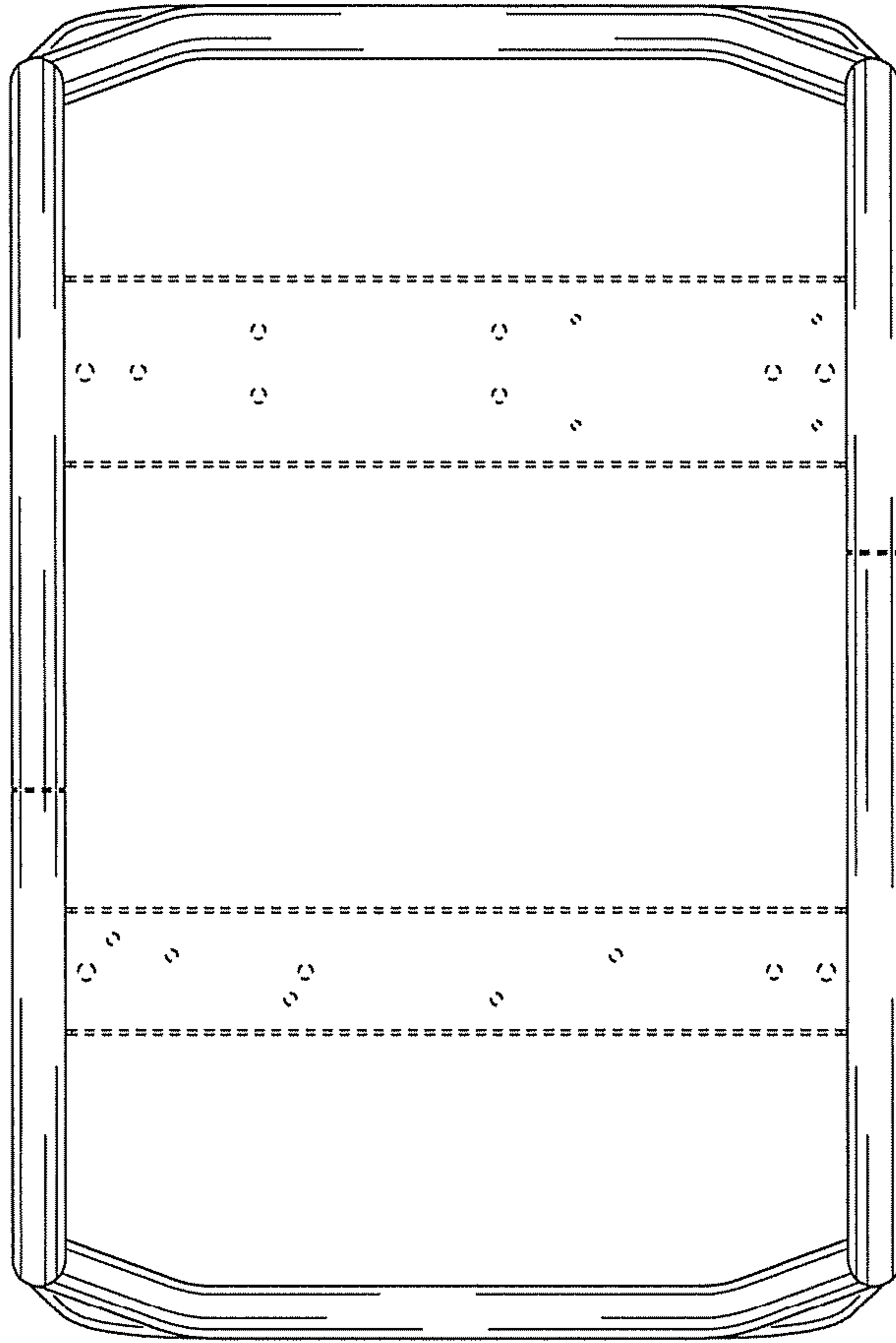


FIG. 4

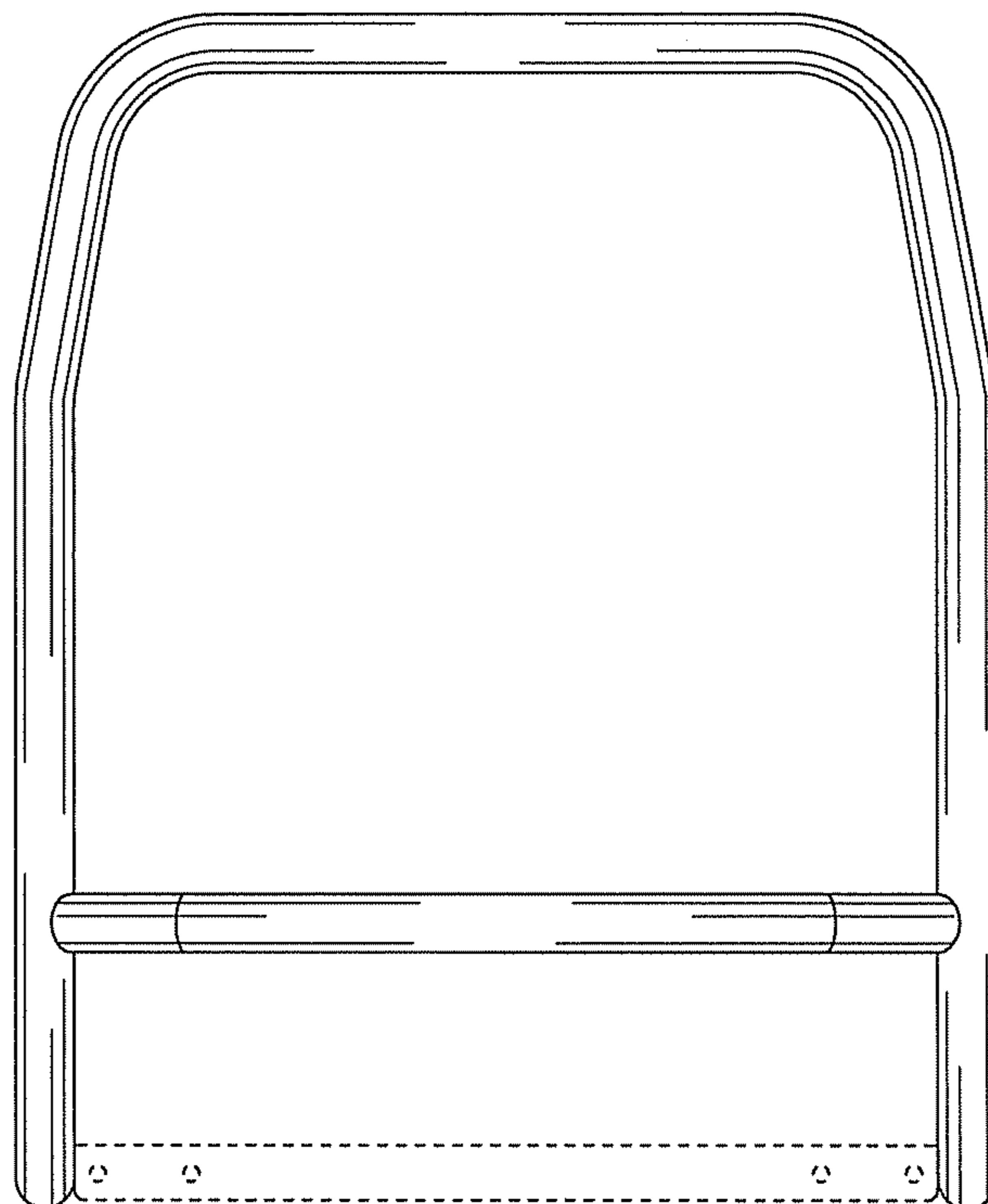


FIG. 5

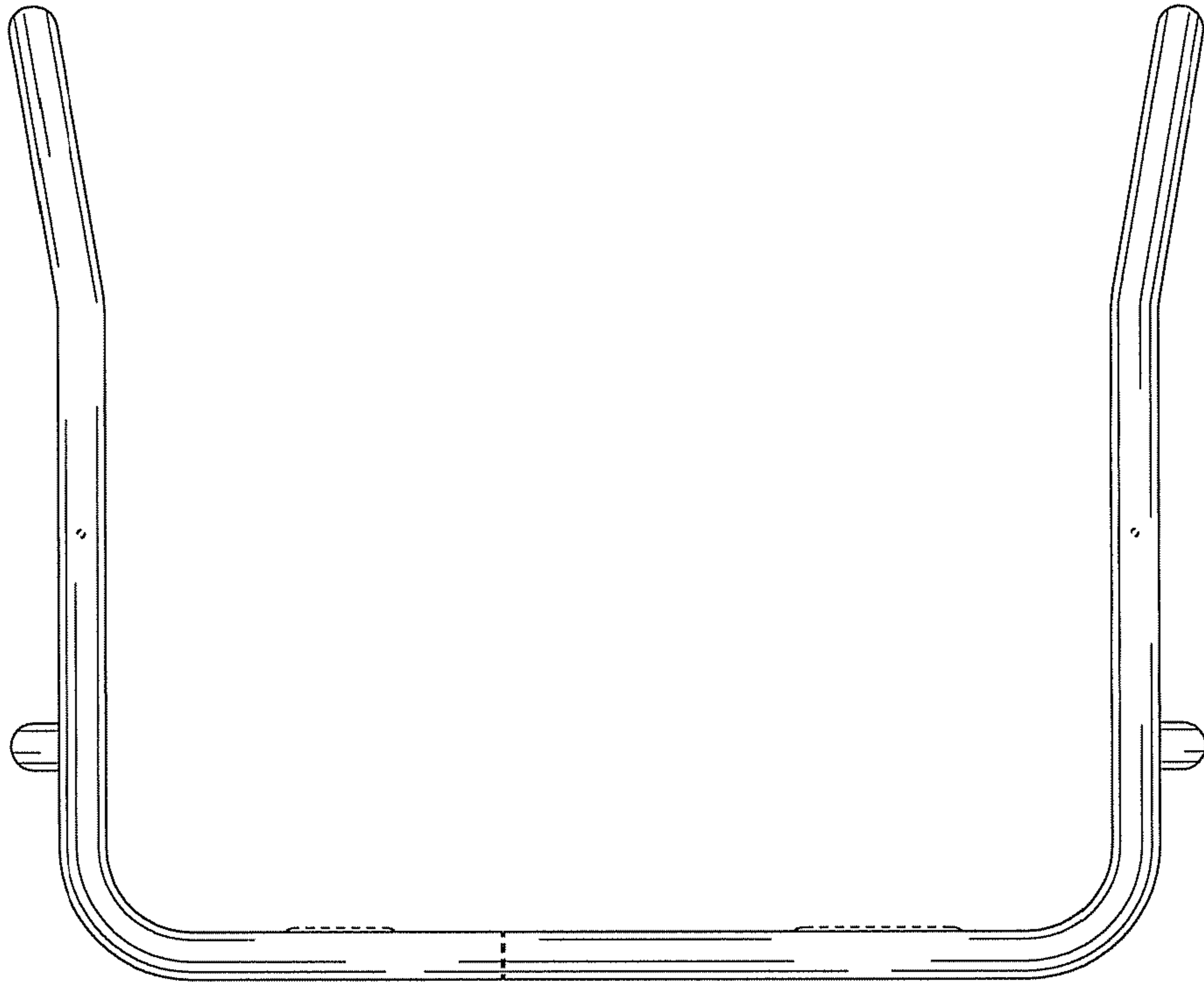


FIG. 7

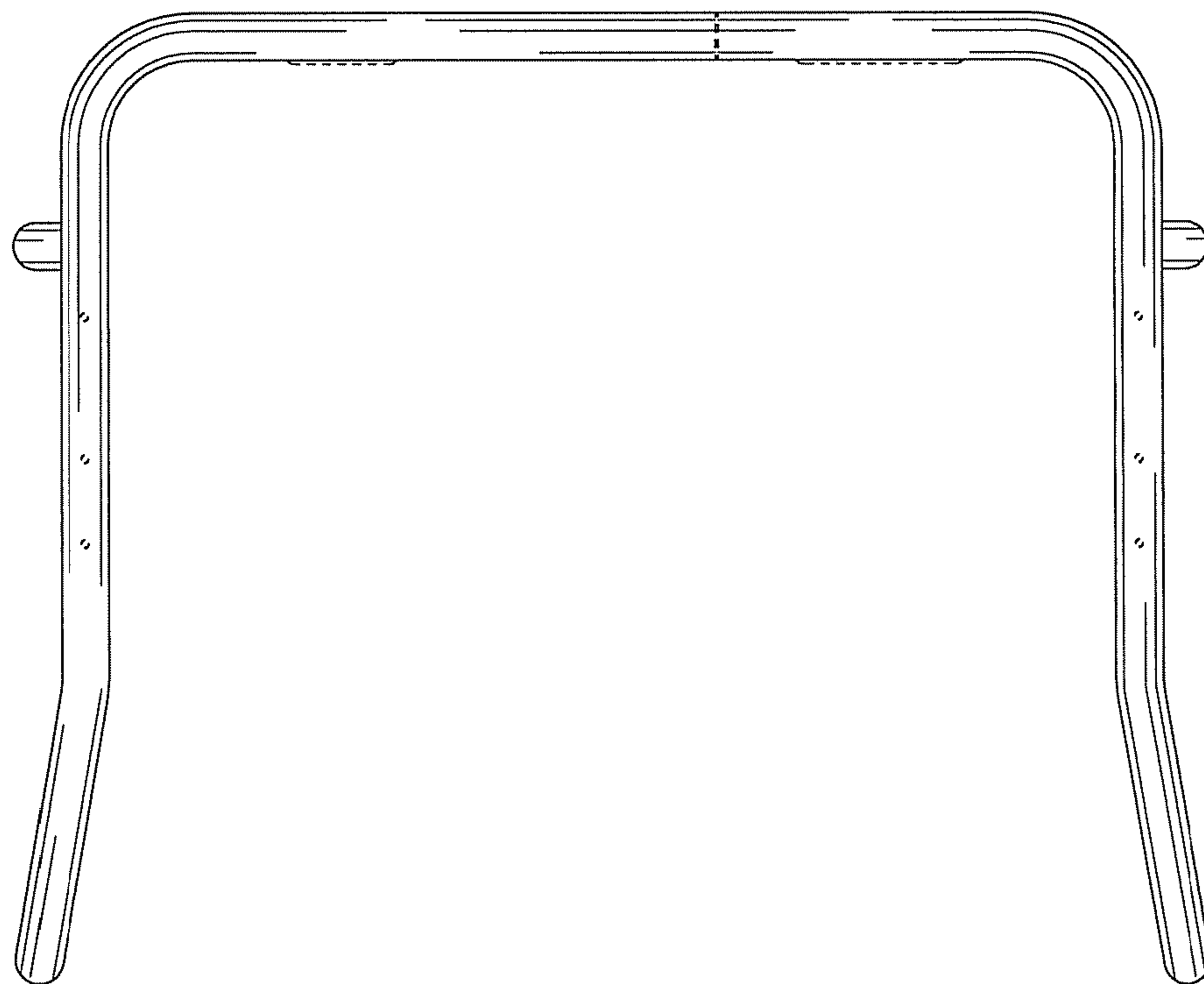


FIG. 6

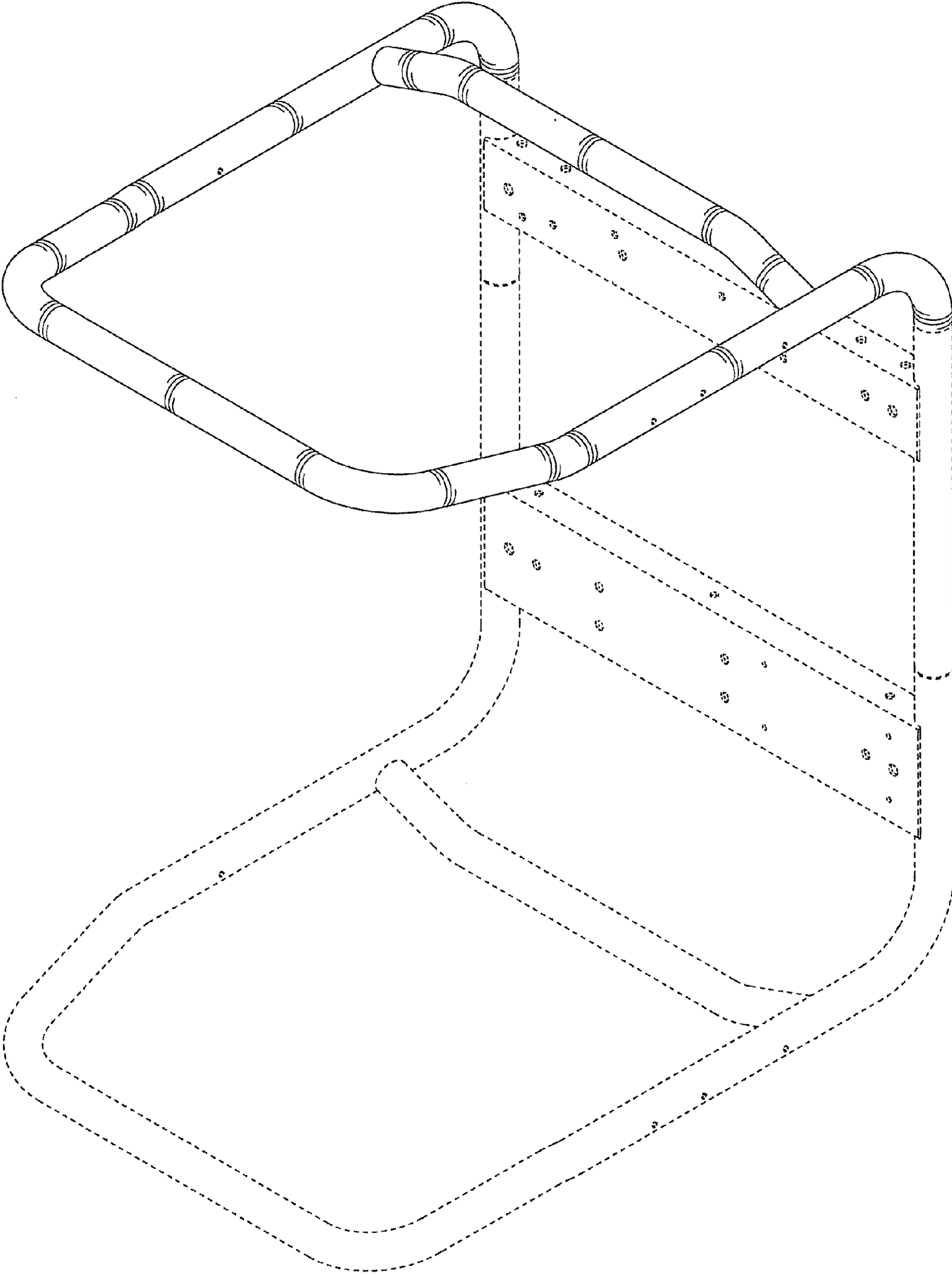


FIG. 8

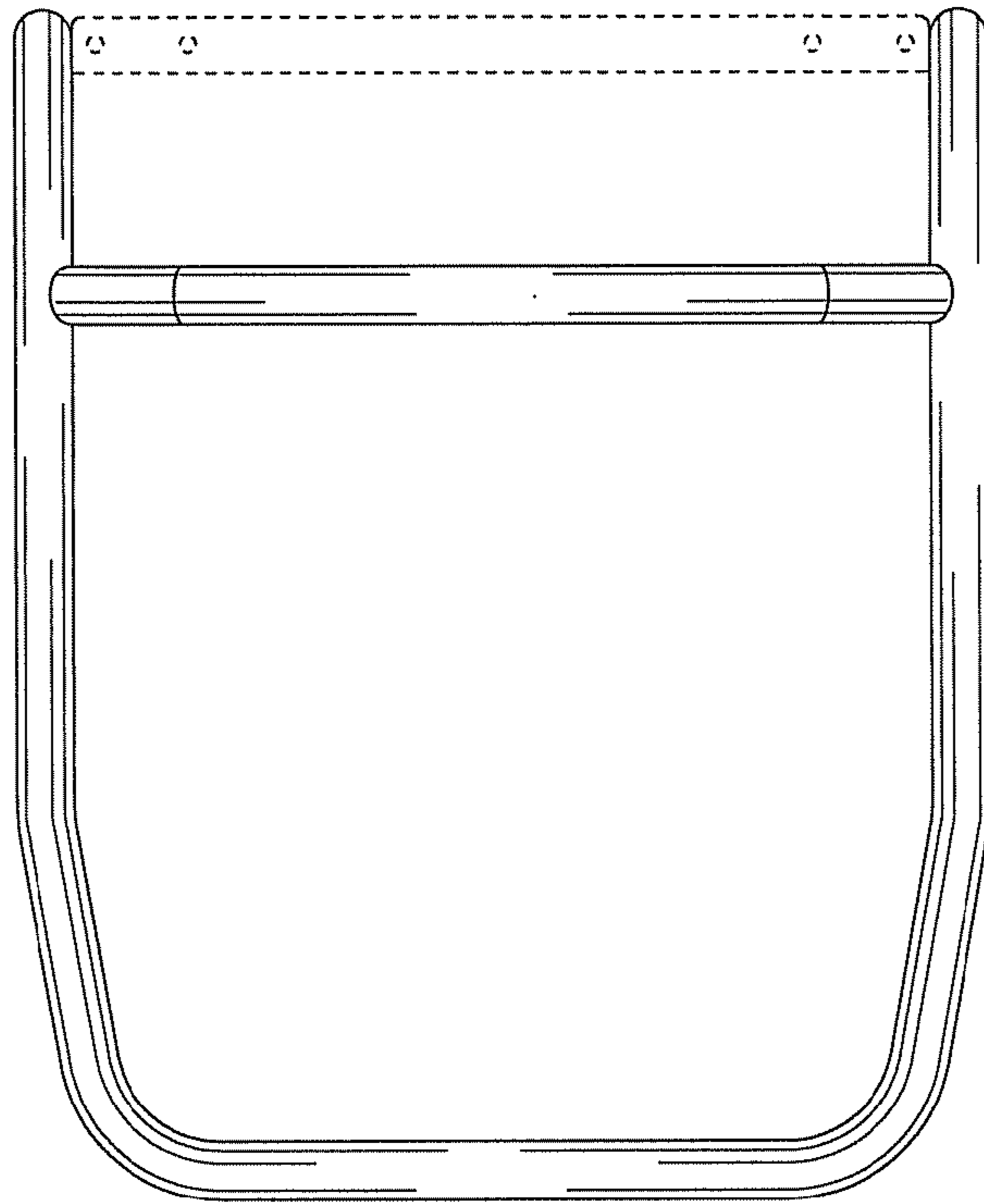


FIG. 9

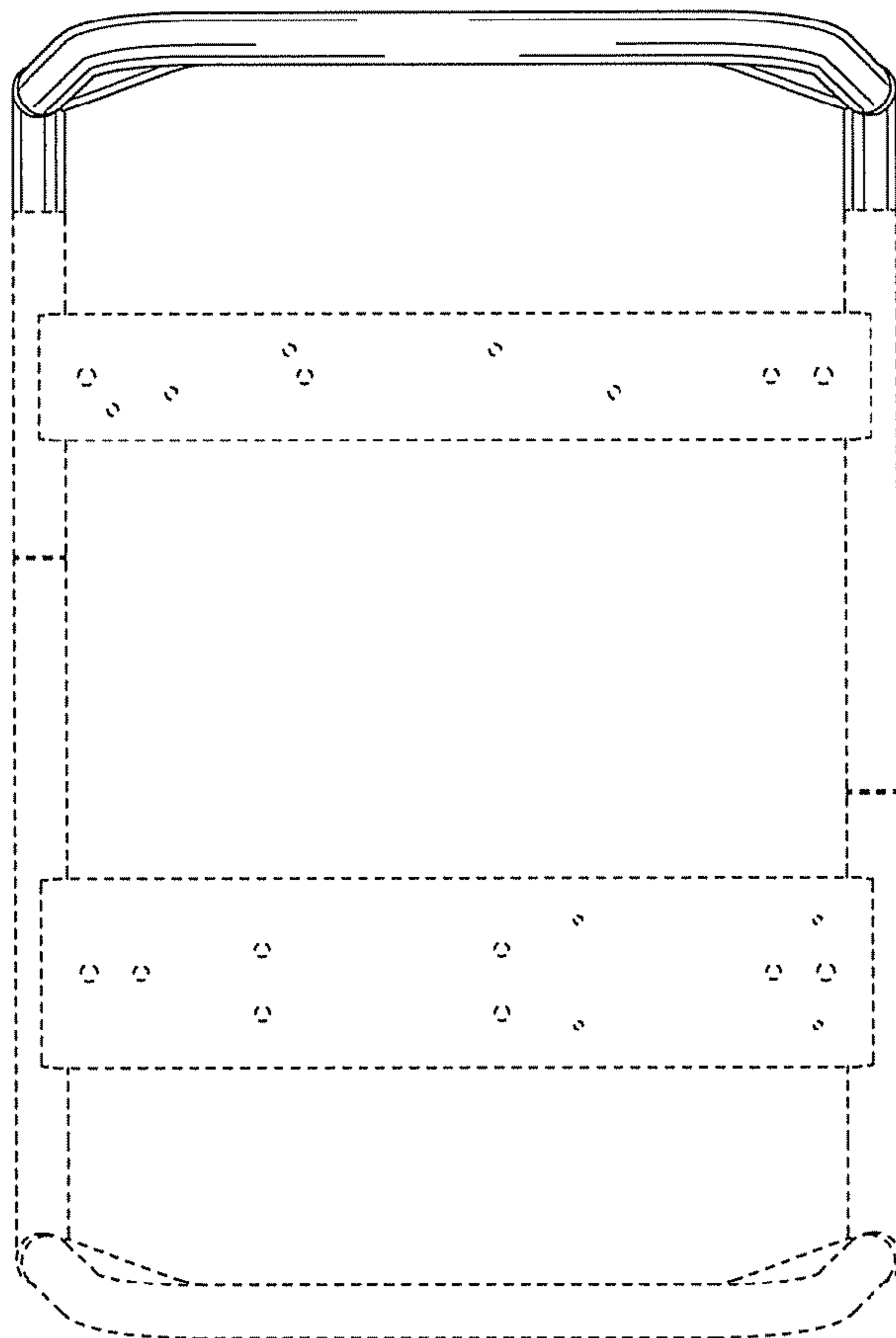


FIG. 10

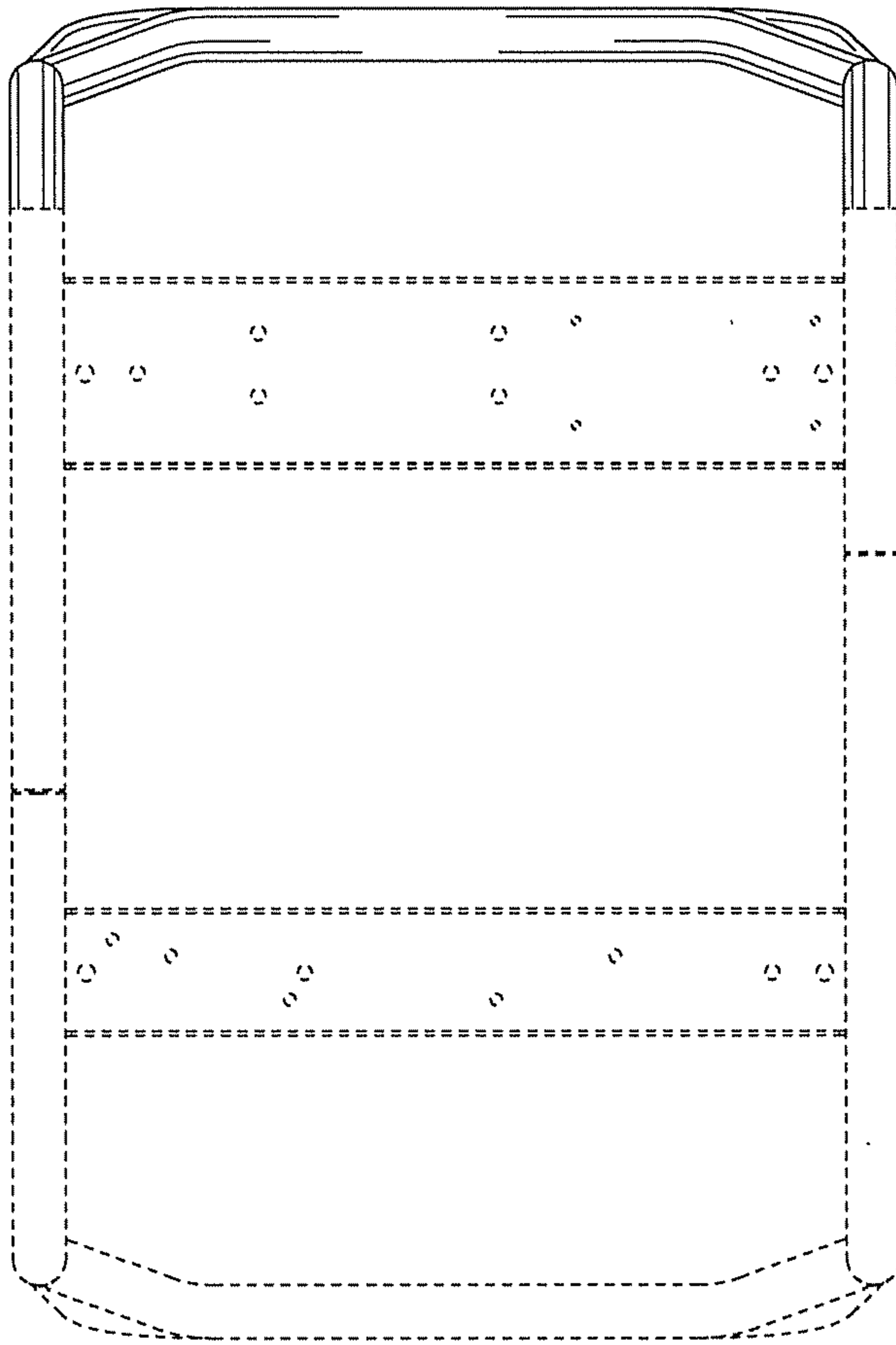


FIG. 11

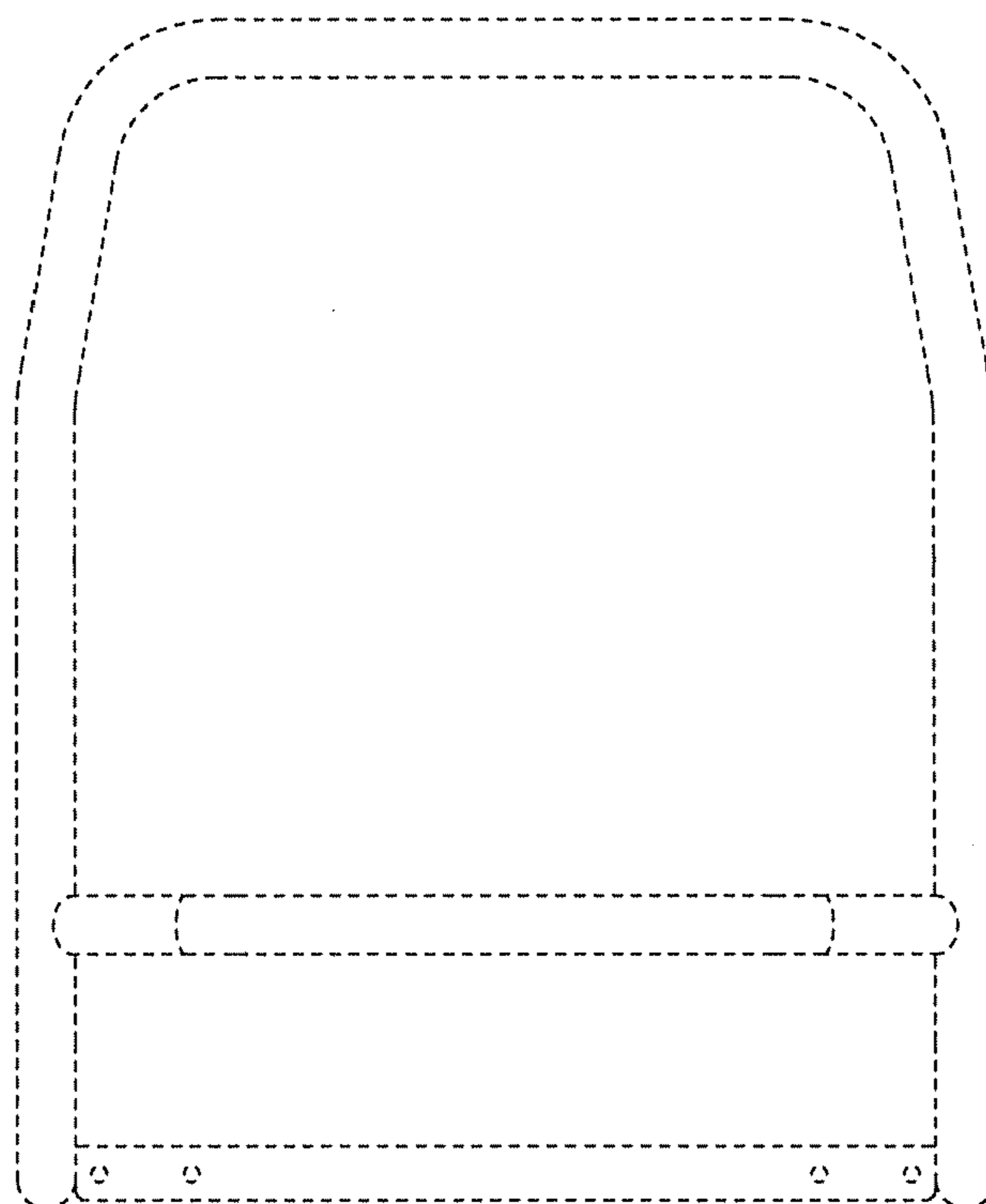


FIG. 12

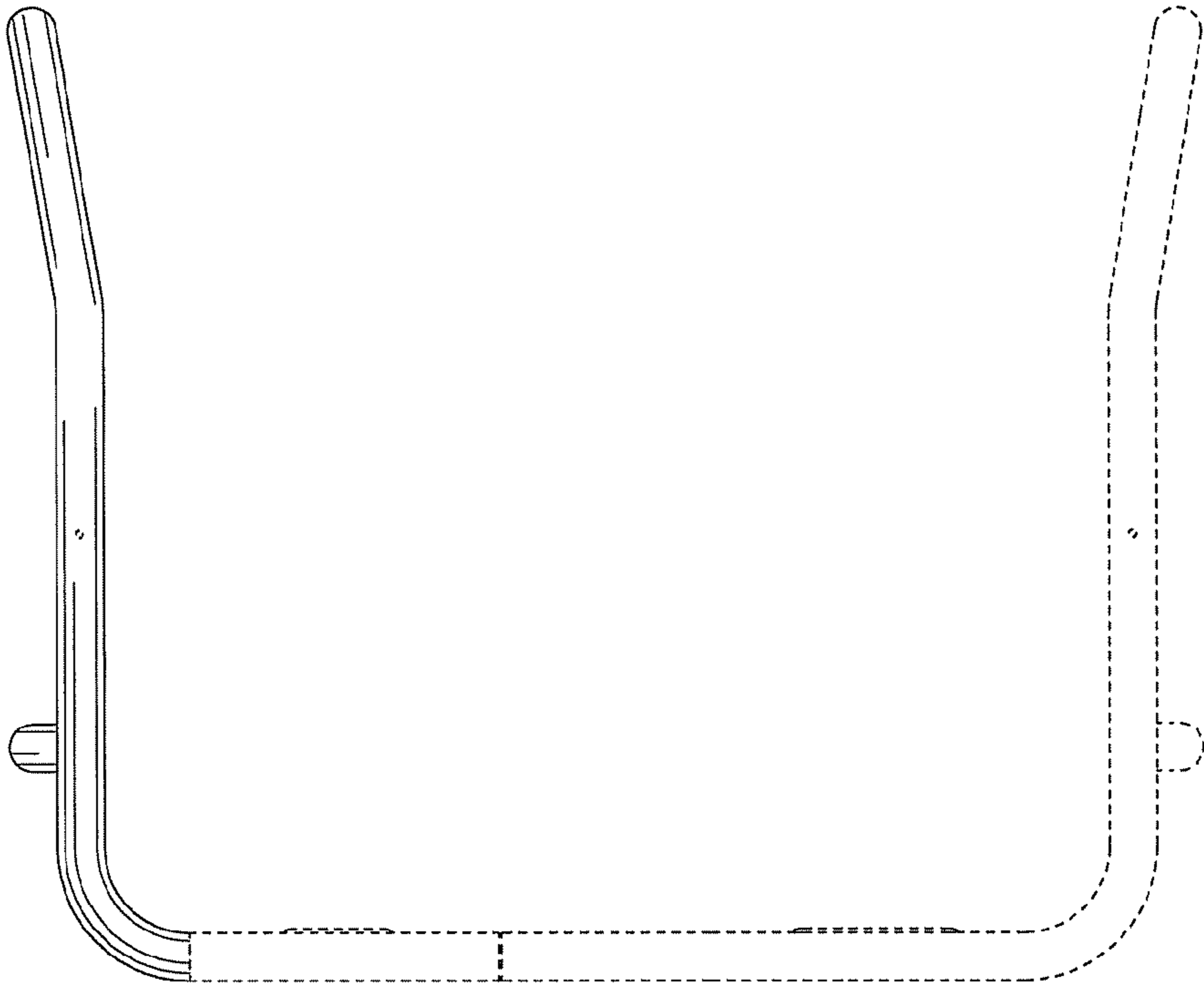


FIG. 13

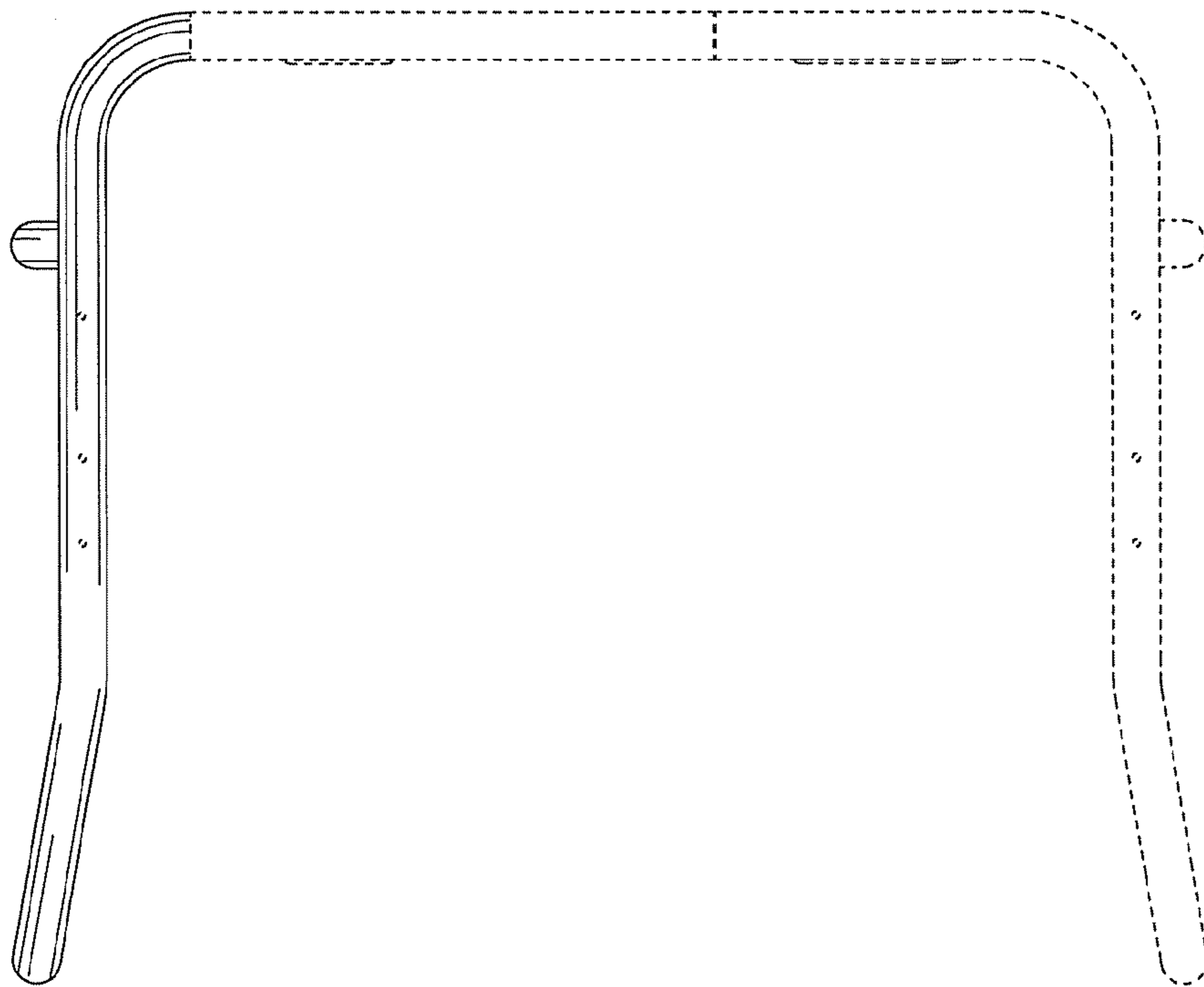


FIG. 14