



US00D616905S

(12) **United States Design Patent**  
**Harada**

(10) **Patent No.:** **US D616,905 S**  
(45) **Date of Patent:** **\*\* Jun. 1, 2010**

(54) **SILENCER FOR AIR PRESSURE DEVICES**

(76) Inventor: **Takayuki Harada**, c/o SMC  
Corporation Tsukuba Technical Center,  
4-2-2, Kinunodai, Tsukubamirai-Shi (JP)  
300-2493

(\*\*) Term: **14 Years**

(21) Appl. No.: **29/351,545**

(22) Filed: **Dec. 8, 2009**

(30) **Foreign Application Priority Data**

Jul. 6, 2009 (JP) ..... 2009-015311

(51) **LOC (9) Cl.** ..... **15-09**

(52) **U.S. Cl.** ..... **D15/138**

(58) **Field of Classification Search** ..... D8/70;  
D15/138, 139, 140; D22/108, 199; 55/276,  
55/315, 320; 60/39.33; 89/14.4; 180/21;  
181/226, 227, 230, 242, 243, 246, 249, 251,  
181/255, 256, 258, 265, 282; 422/180  
See application file for complete search history.

(56) **References Cited**

**U.S. PATENT DOCUMENTS**

1,354,416 A \* 9/1920 Oliver ..... 89/14.4  
1,821,013 A \* 9/1931 Hamilton ..... 181/266  
4,316,523 A \* 2/1982 Boretti ..... 181/226  
4,971,612 A \* 11/1990 Loughran ..... 96/387  
6,085,864 A \* 7/2000 Copeland et al. .... 181/242  
D439,630 S \* 3/2001 Ellington et al. .... D22/199  
6,312,650 B1 \* 11/2001 Frederiksen et al. .... 422/180

6,374,718 B1 \* 4/2002 Rescigno et al. .... 89/14.4  
6,543,501 B2 \* 4/2003 Ferreira ..... 181/282  
6,543,577 B1 \* 4/2003 Ferreira et al. .... 181/282  
6,715,583 B2 \* 4/2004 Santos ..... 181/251  
6,802,388 B2 \* 10/2004 Wolf et al. .... 181/265  
7,159,692 B1 \* 1/2007 Frederiksen et al. .... 181/249  
7,247,180 B1 \* 7/2007 Hill ..... 55/315  
7,624,841 B2 \* 12/2009 Bae et al. .... 181/249

\* cited by examiner

*Primary Examiner*—Sandra Snapp  
*Assistant Examiner*—Patricia Palasik

(57) **CLAIM**

The ornamental design for a silencer for air pressure devices,  
as shown and described.

**DESCRIPTION**

FIG. 1 shows a front view of a silencer for air pressure devices  
showing my new design;

FIG. 2 shows a rear view thereof;

FIG. 3 shows a right side view thereof;

FIG. 4 shows a left side view thereof;

FIG. 5 shows a top view thereof;

FIG. 6 shows a bottom view thereof;

FIG. 7 shows a top, front and left side perspective view  
thereof; and,

FIG. 8 shows a cross-sectional view thereof, taken along line  
8—8 in FIG. 7.

**1 Claim, 4 Drawing Sheets**

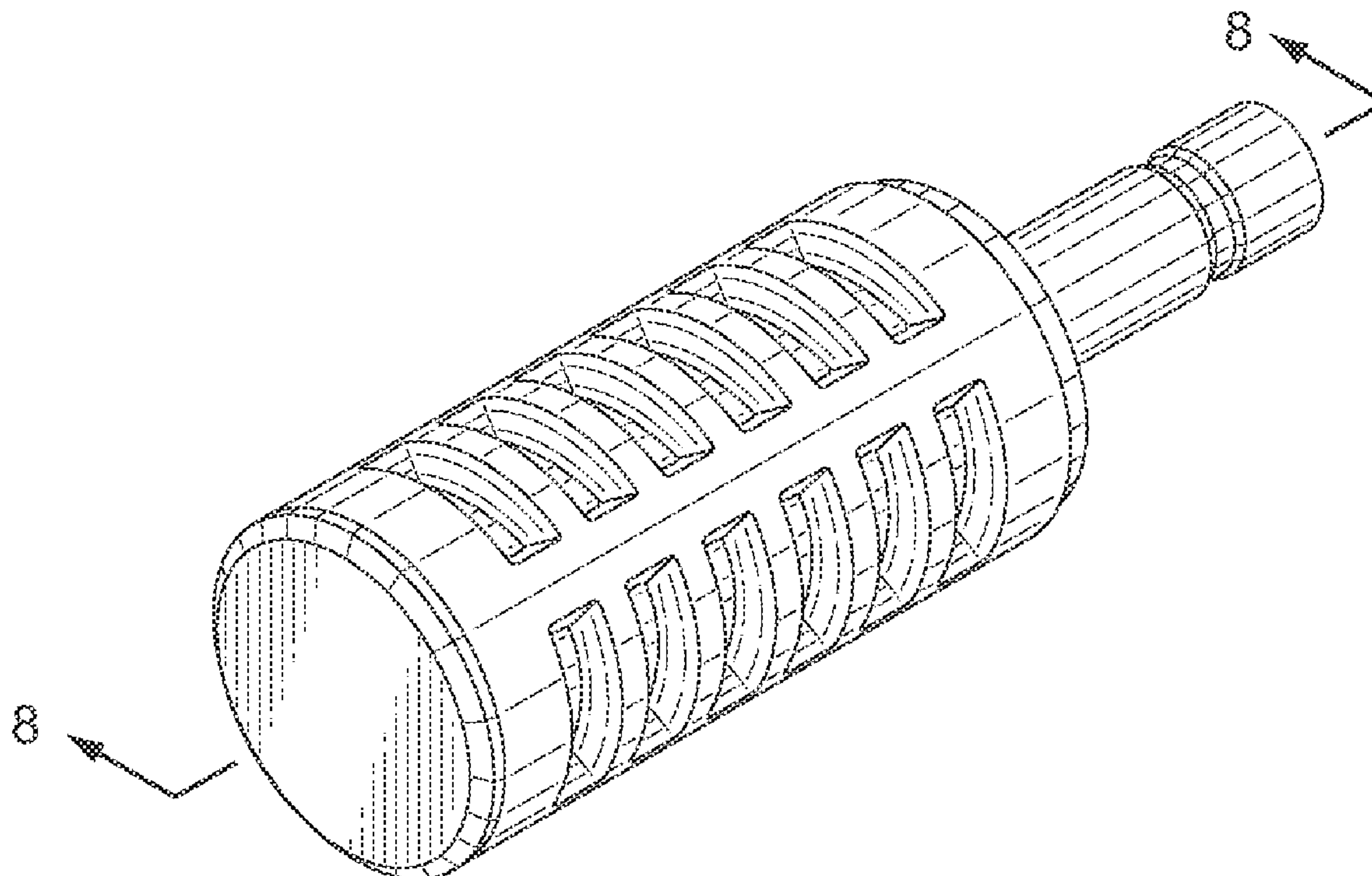


FIG. 1

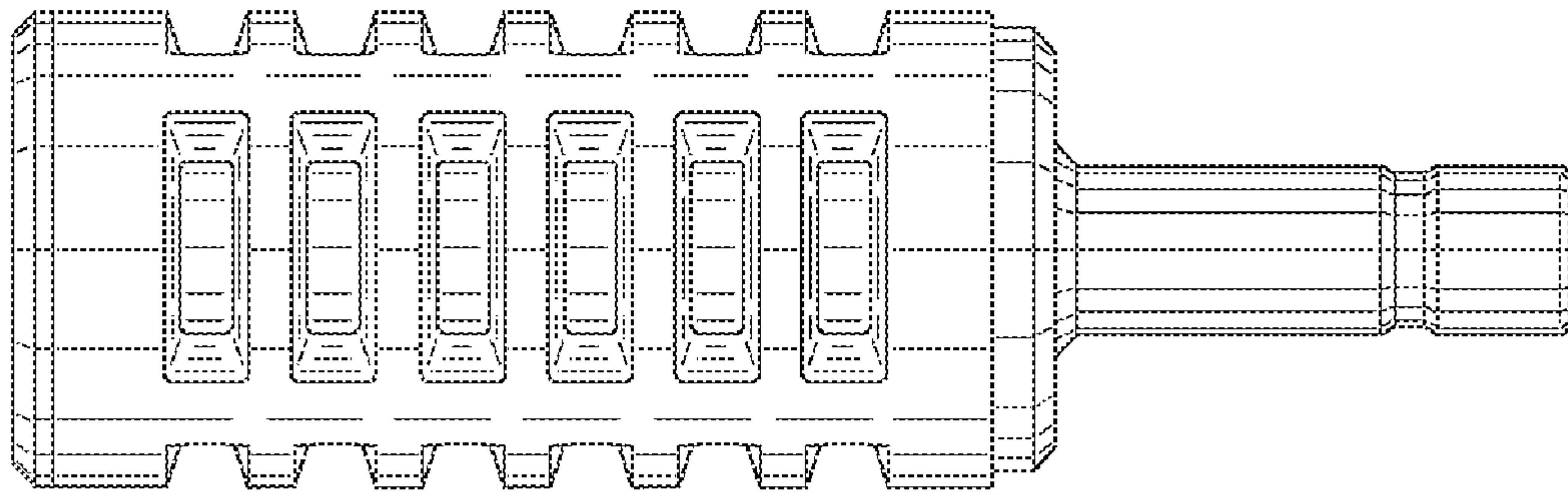


FIG. 2

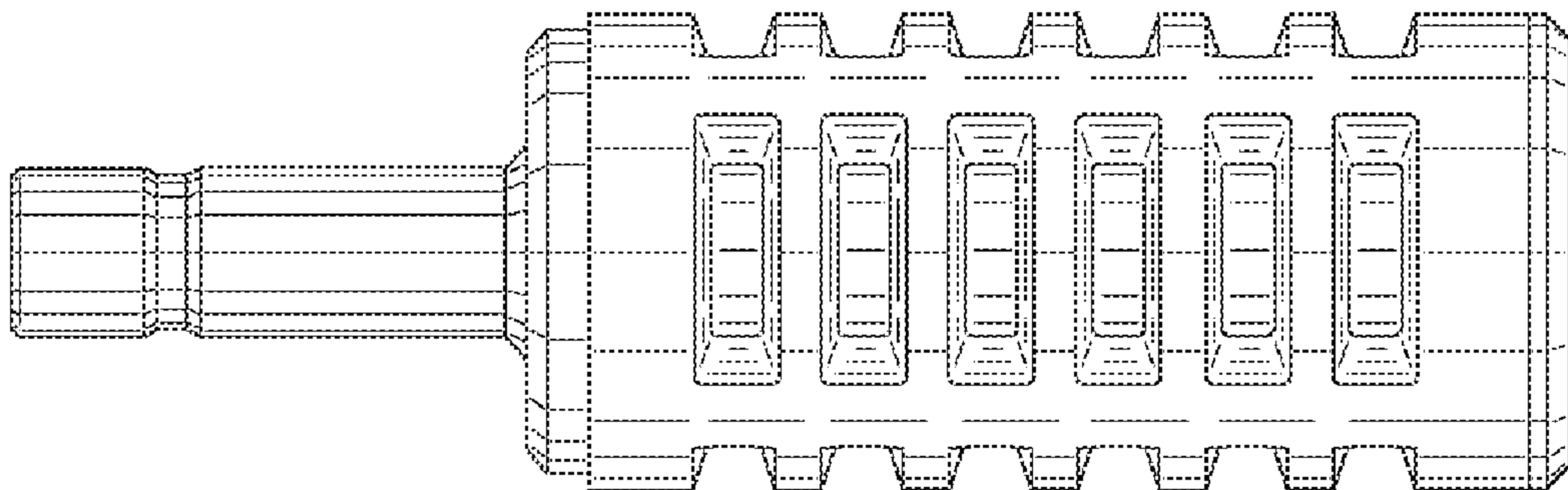


FIG. 3

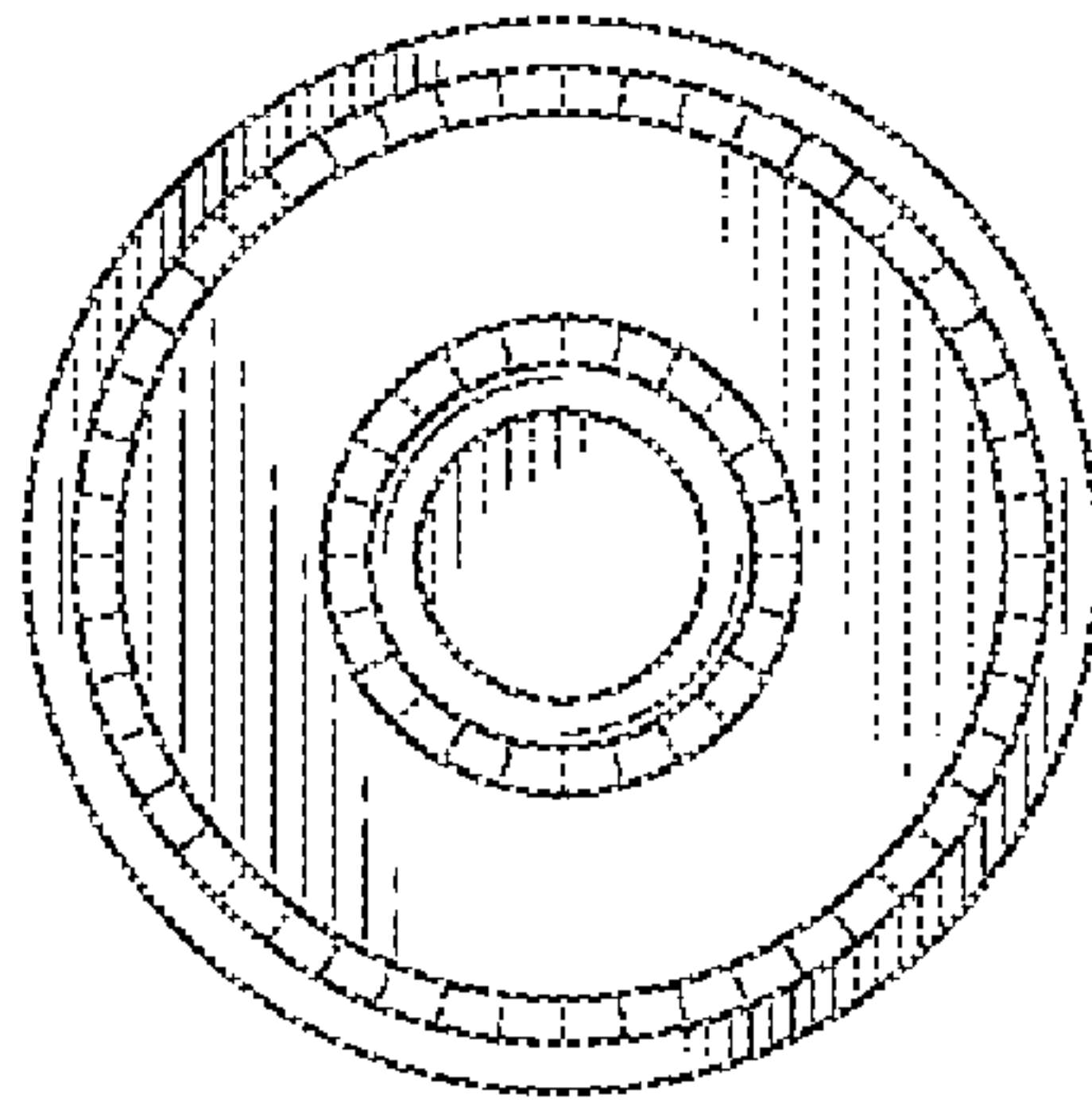


FIG. 4

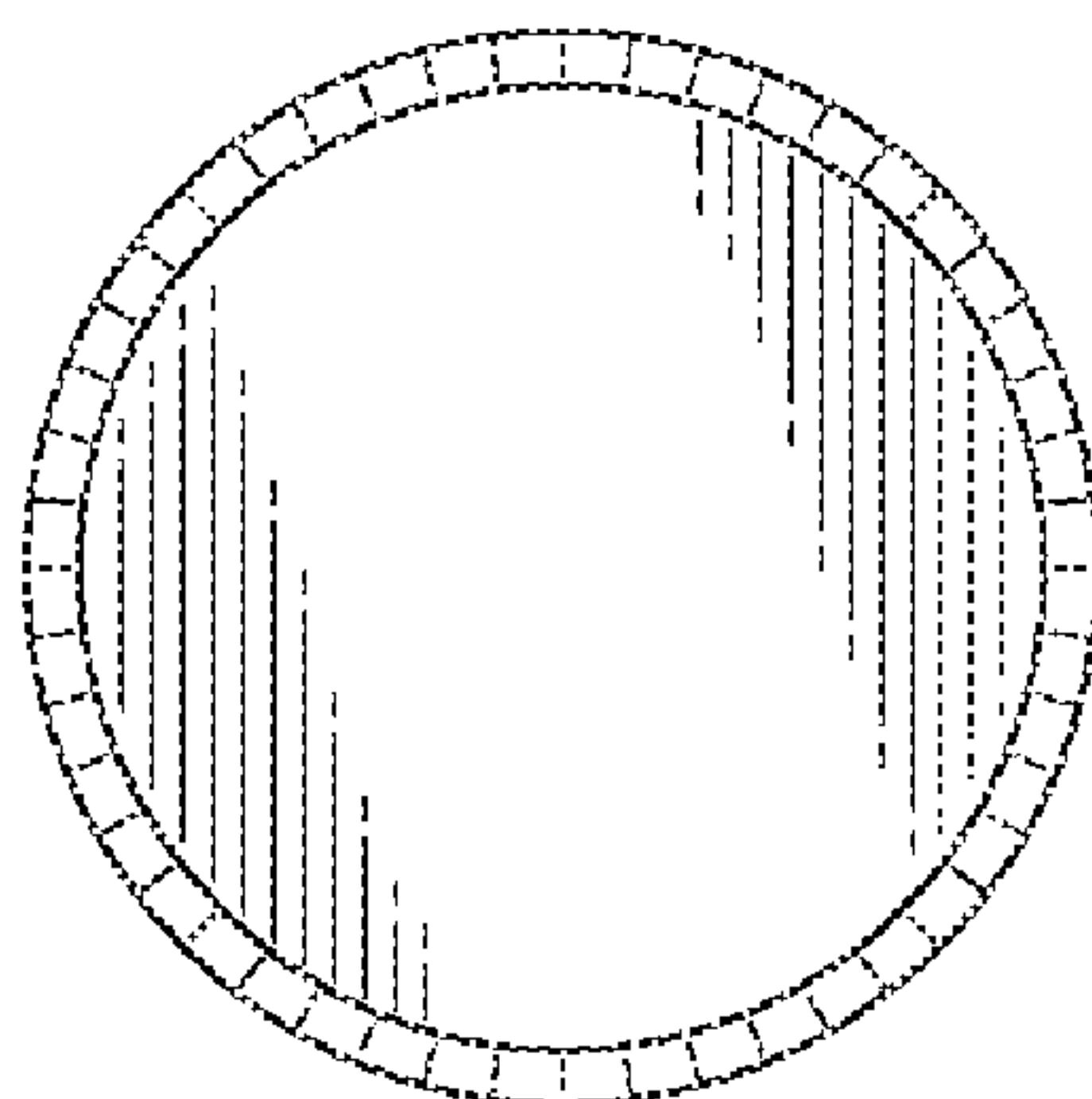


FIG. 5

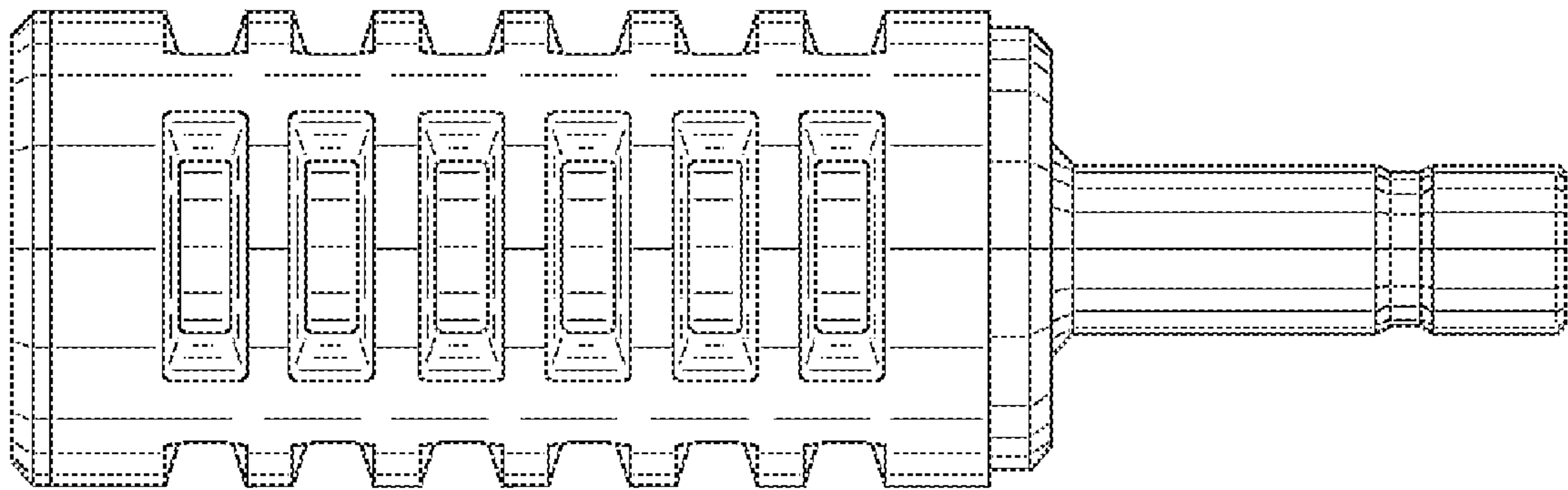


FIG. 6

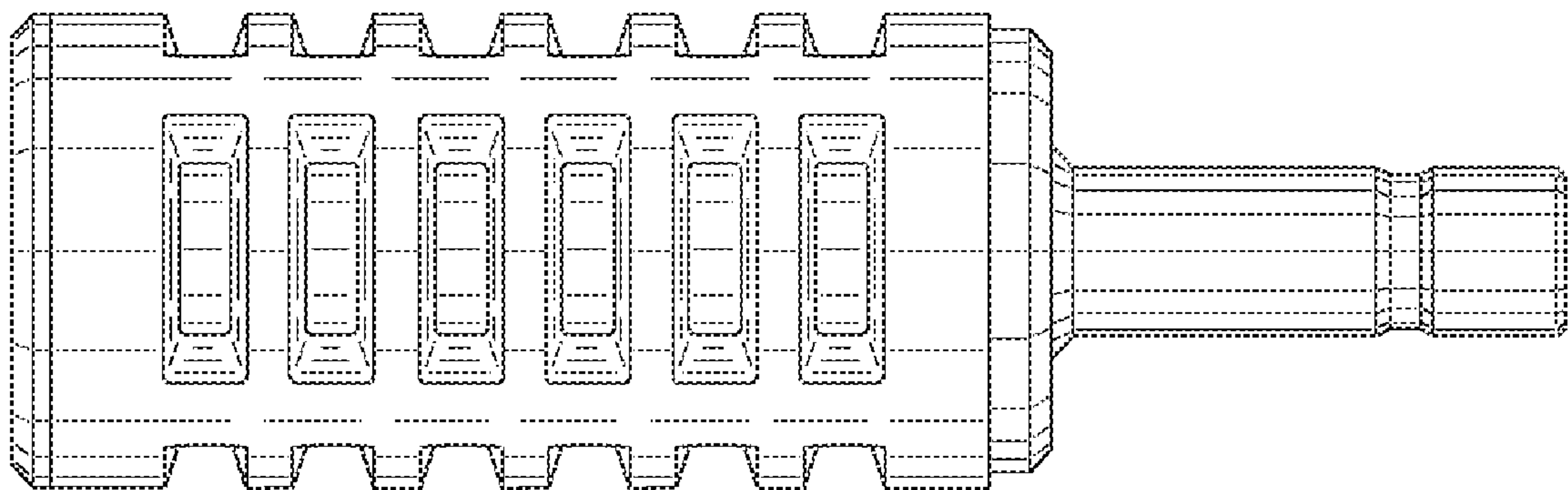




FIG. 7

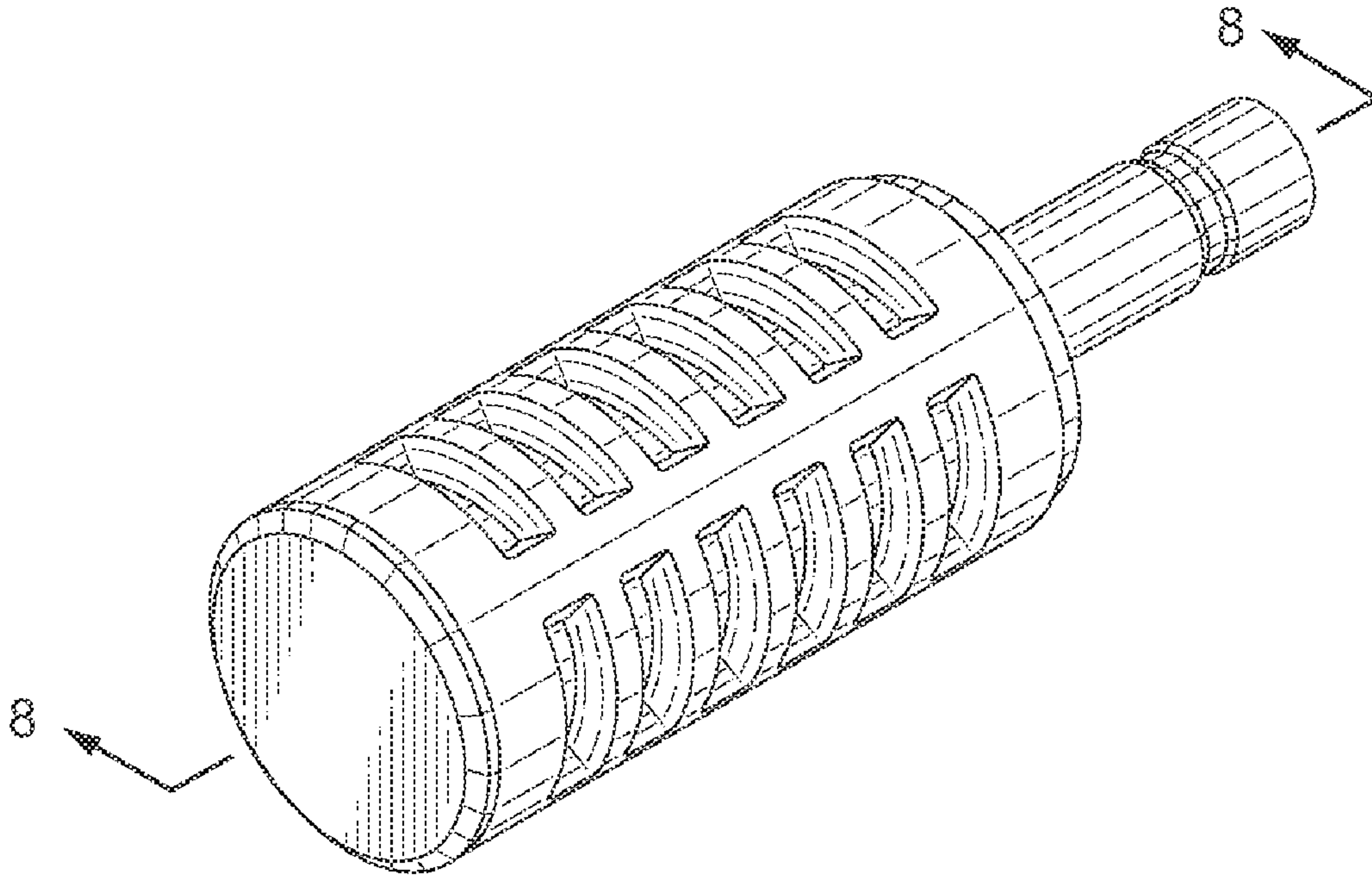


FIG. 8

