



US00D616903S

(12) **United States Design Patent**
Kimura et al.

(10) **Patent No.:** **US D616,903 S**

(45) **Date of Patent:** **** Jun. 1, 2010**

(54) **PUMP**

D602,500 S * 10/2009 Tokunaga et al. D15/7
D604,329 S * 11/2009 Matsuki et al. D15/7

(75) Inventors: **Masakuni Kimura**, Kurume (JP);
Masaaki Nishikata, Fukuoka (JP);
Tsuyoshi Kusakabe, Chikushi-gun (JP);
Etsuo Matsuki, Kurume (JP)

* cited by examiner

Primary Examiner—Ralf Seifert
(74) *Attorney, Agent, or Firm*—Marvin A. Motsenbocker;
Mots Law, PLLC

(73) Assignee: **Panasonic Electric Works Co., Ltd.**,
Kadoma-shi (JP)

(57) **CLAIM**

(**) Term: **14 Years**

The ornamental design for a pump, as shown and described.

(21) Appl. No.: **29/341,574**

DESCRIPTION

(22) Filed: **Aug. 7, 2009**

FIG. 1 is a top-down perspective view of a pump;
FIG. 2 is a bottom perspective view thereof;
FIG. 3 is a front view thereof;
FIG. 4 is a right side view thereof;
FIG. 5 is a left side view thereof;
FIG. 6 is a top plan view thereof;
FIG. 7 is a bottom plan view thereof;
FIG. 8 is a rear view thereof;
FIG. 9 is a cross sectional view taken along the lines 9—9 of
FIG. 3; and,
FIG. 10 is a cross sectional view taken along the lines 10—10
of FIG. 3.

(30) **Foreign Application Priority Data**

Feb. 12, 2009 (JP) 2009-002869

(51) **LOC (9) Cl.** **15-02**

(52) **U.S. Cl.** **D15/7**

(58) **Field of Classification Search** D15/7-9;
D23/231, 232, 225; 417/410.1, 359, 415-416,
417/234, 321, 265, 405

See application file for complete search history.

The broken lines and hatchings shown in drawings are for
illustrative purposes only and form no part of the claimed
design.

(56) **References Cited**

U.S. PATENT DOCUMENTS

D484,146 S * 12/2003 Urano et al. D15/7
D520,023 S * 5/2006 Goto et al. D15/7
D520,024 S * 5/2006 Chen D15/7
D534,548 S * 1/2007 Urano et al. D15/7

1 Claim, 10 Drawing Sheets

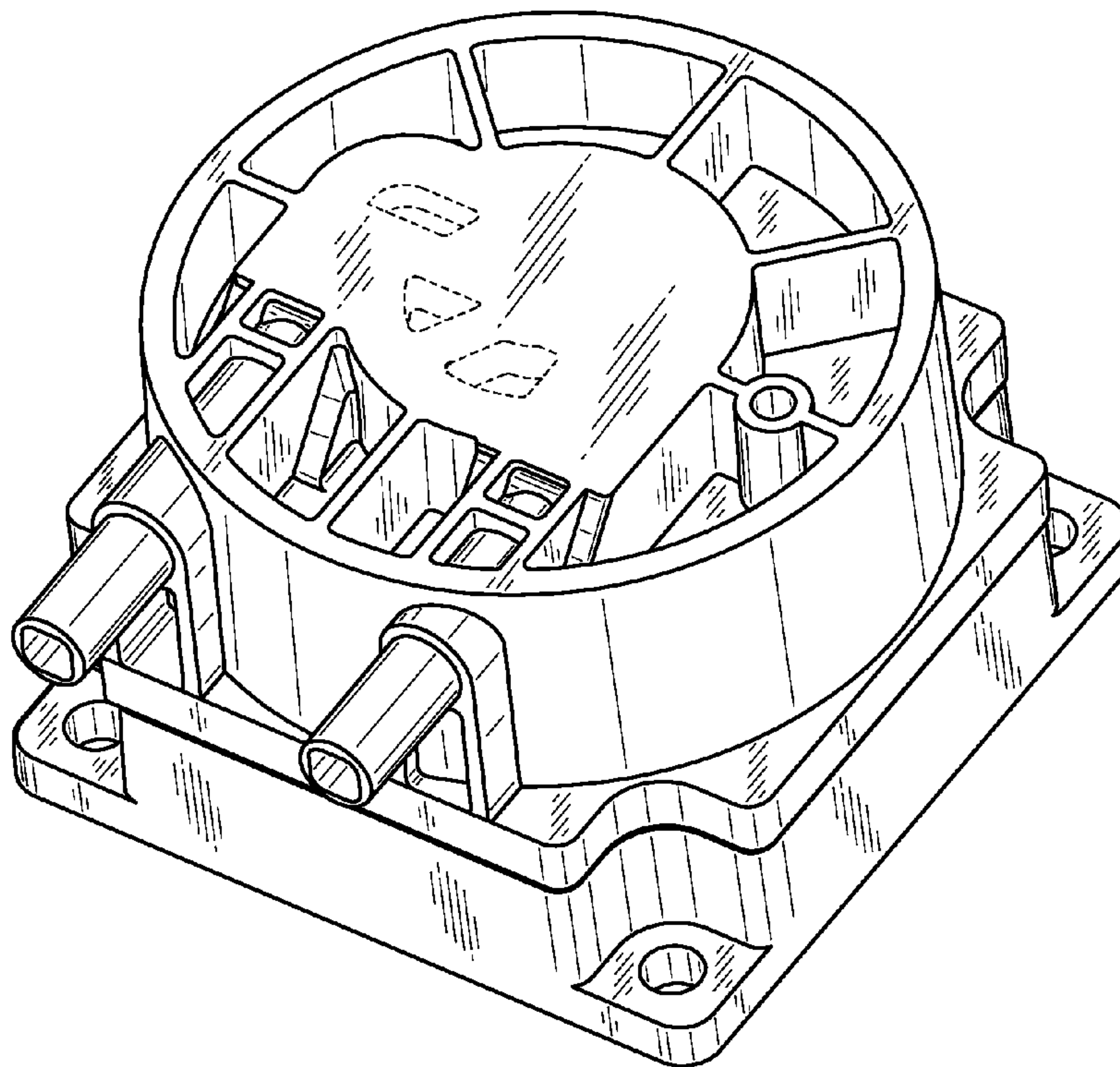


Fig. 1

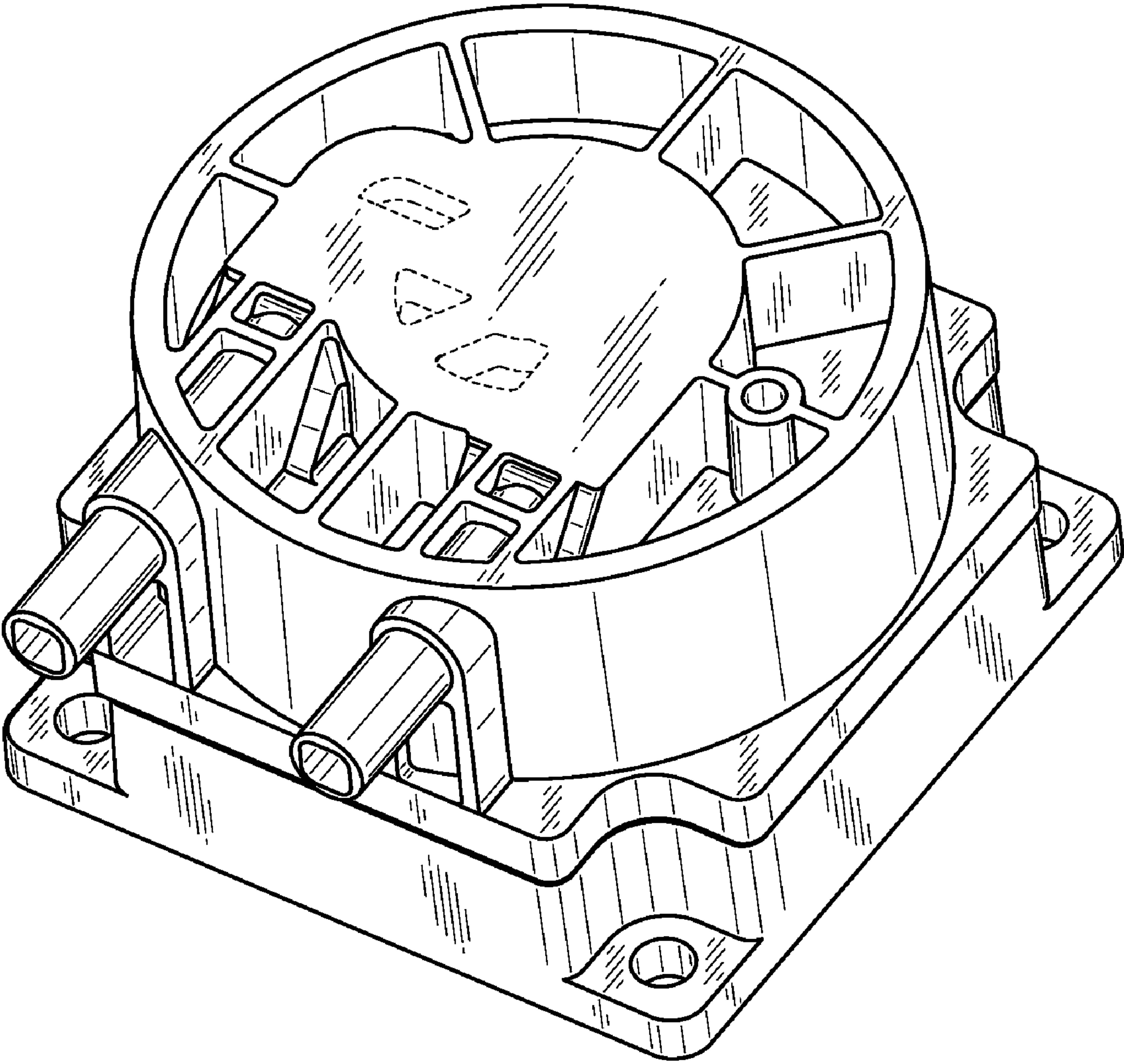


Fig.2

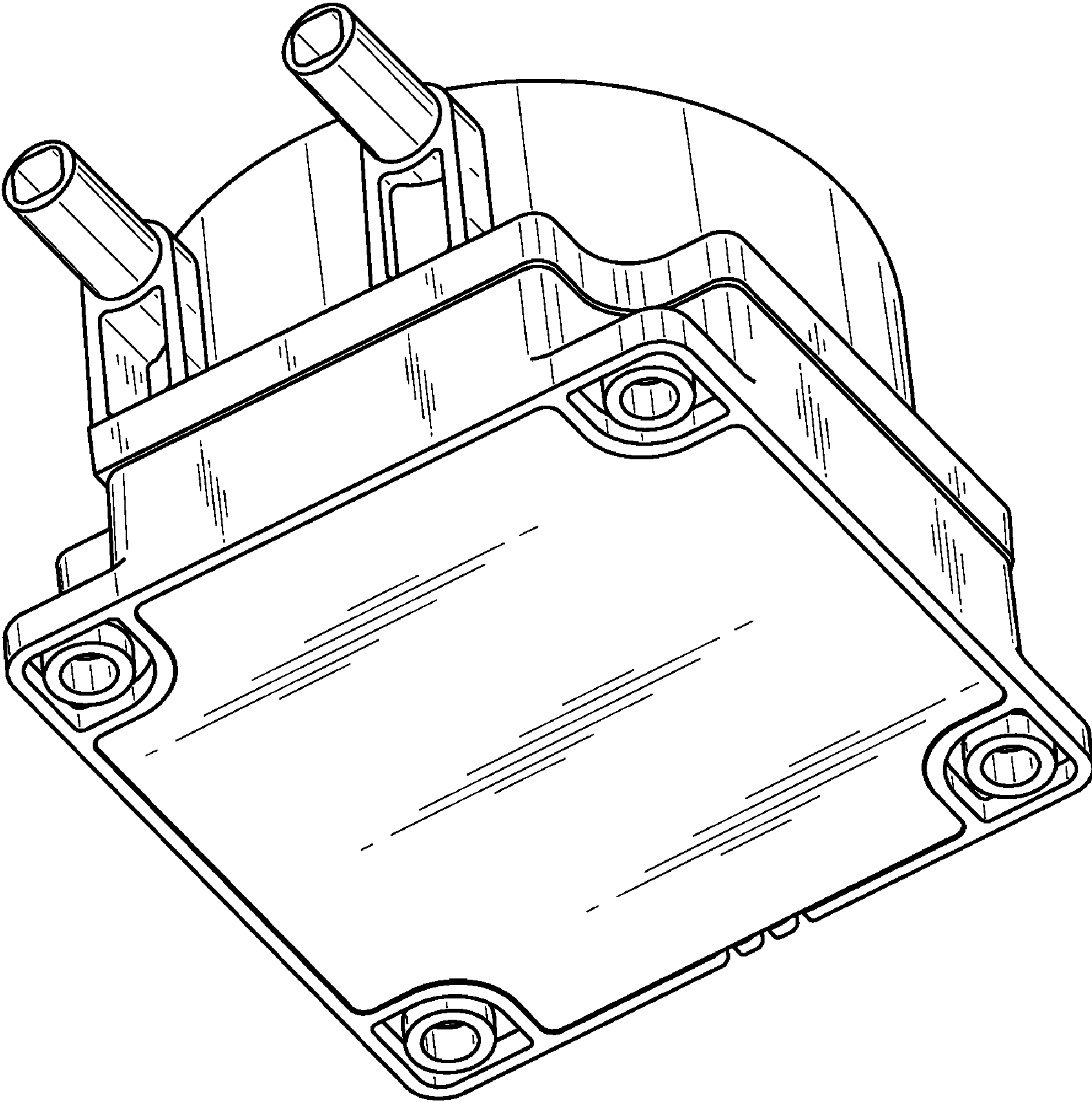


Fig.3

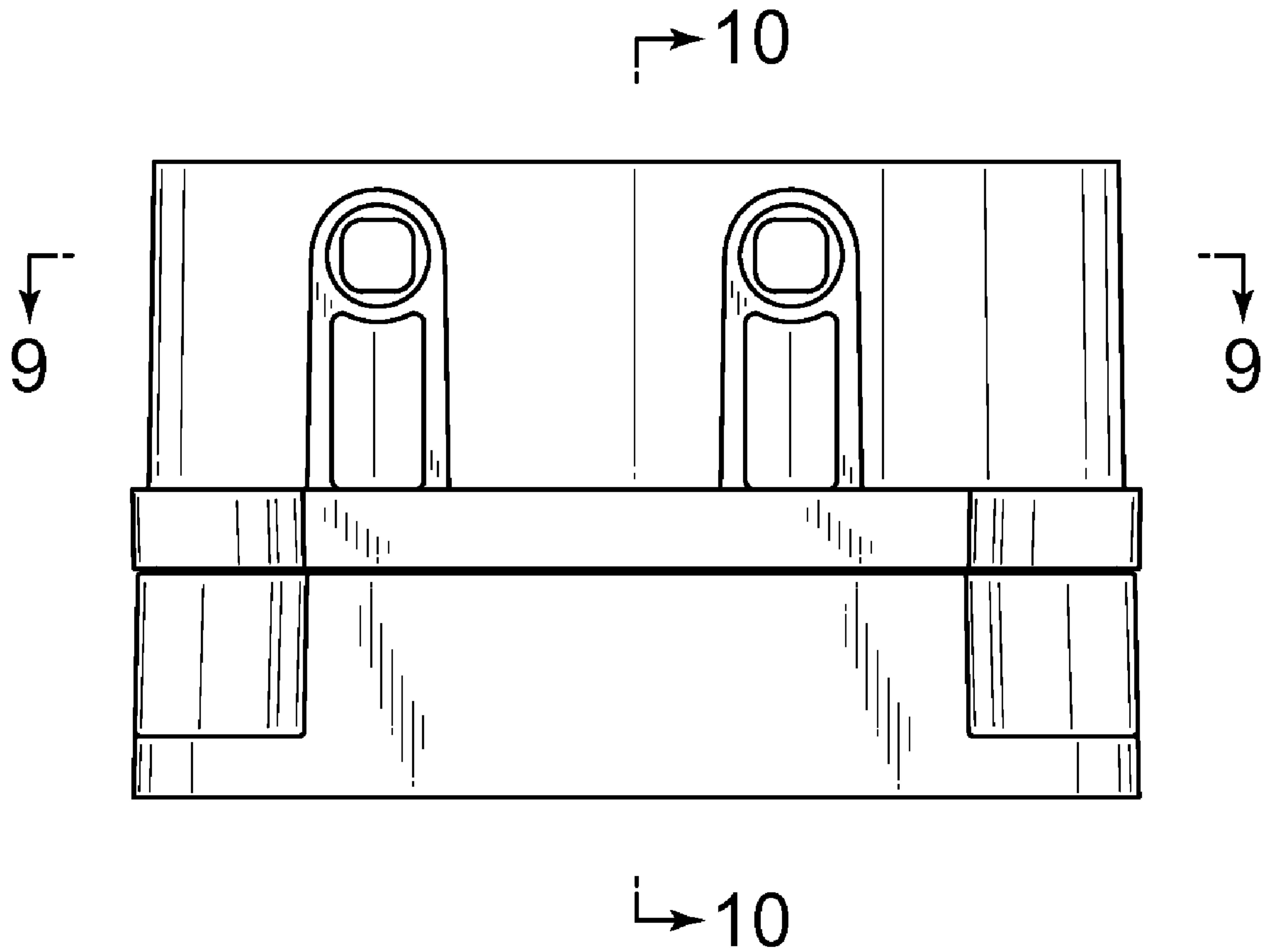


Fig.4

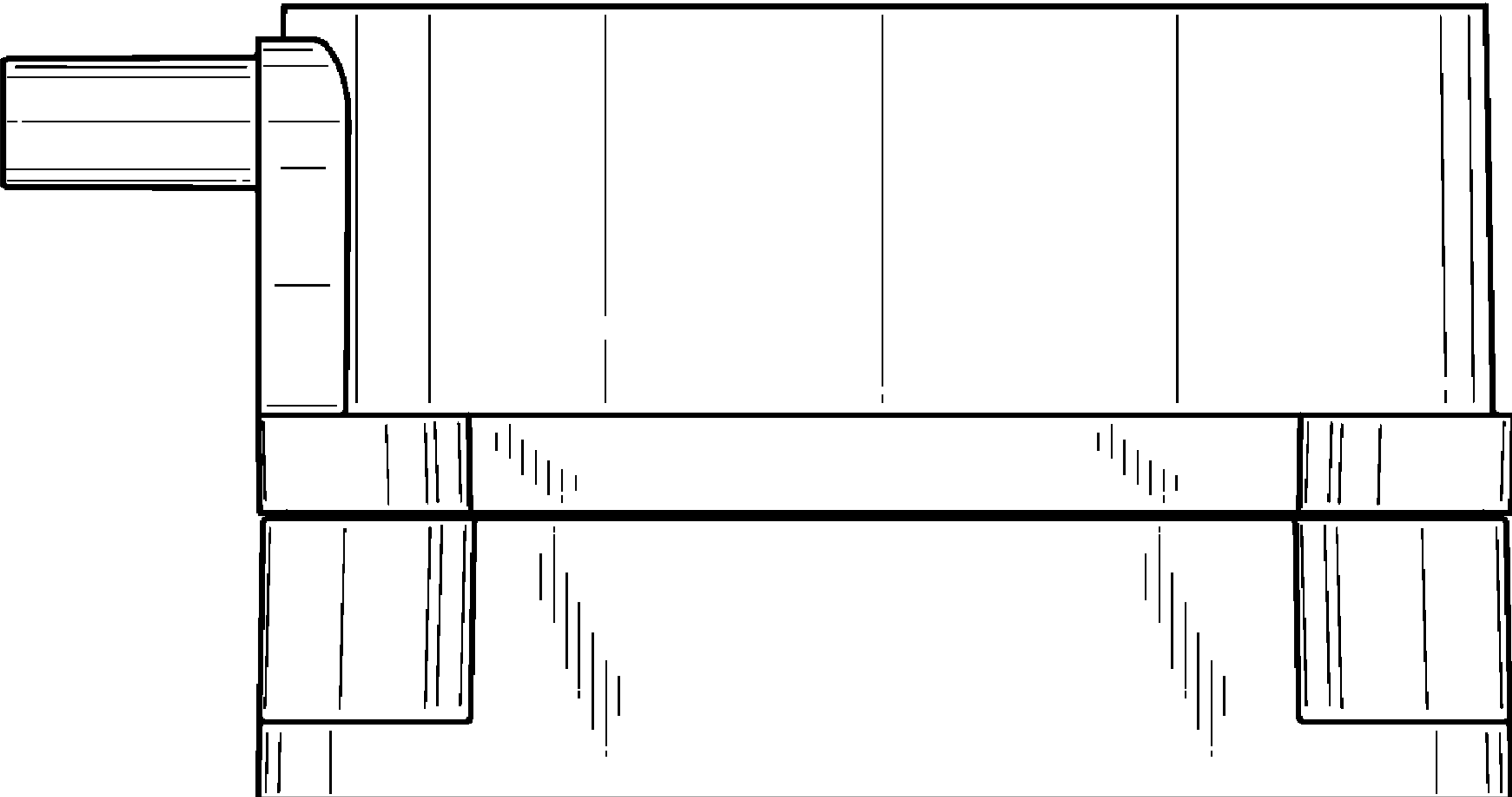


Fig.5

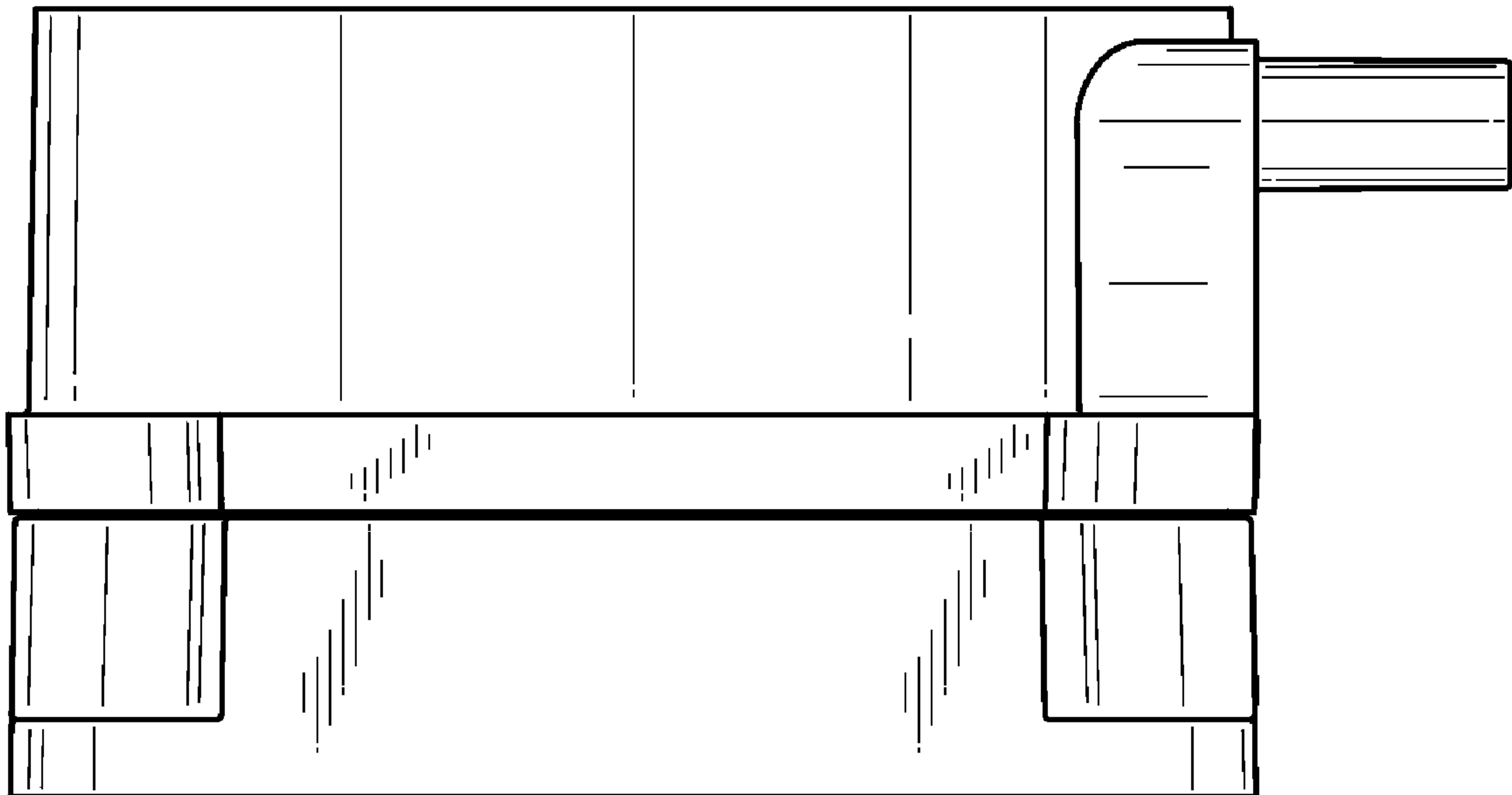


Fig.6

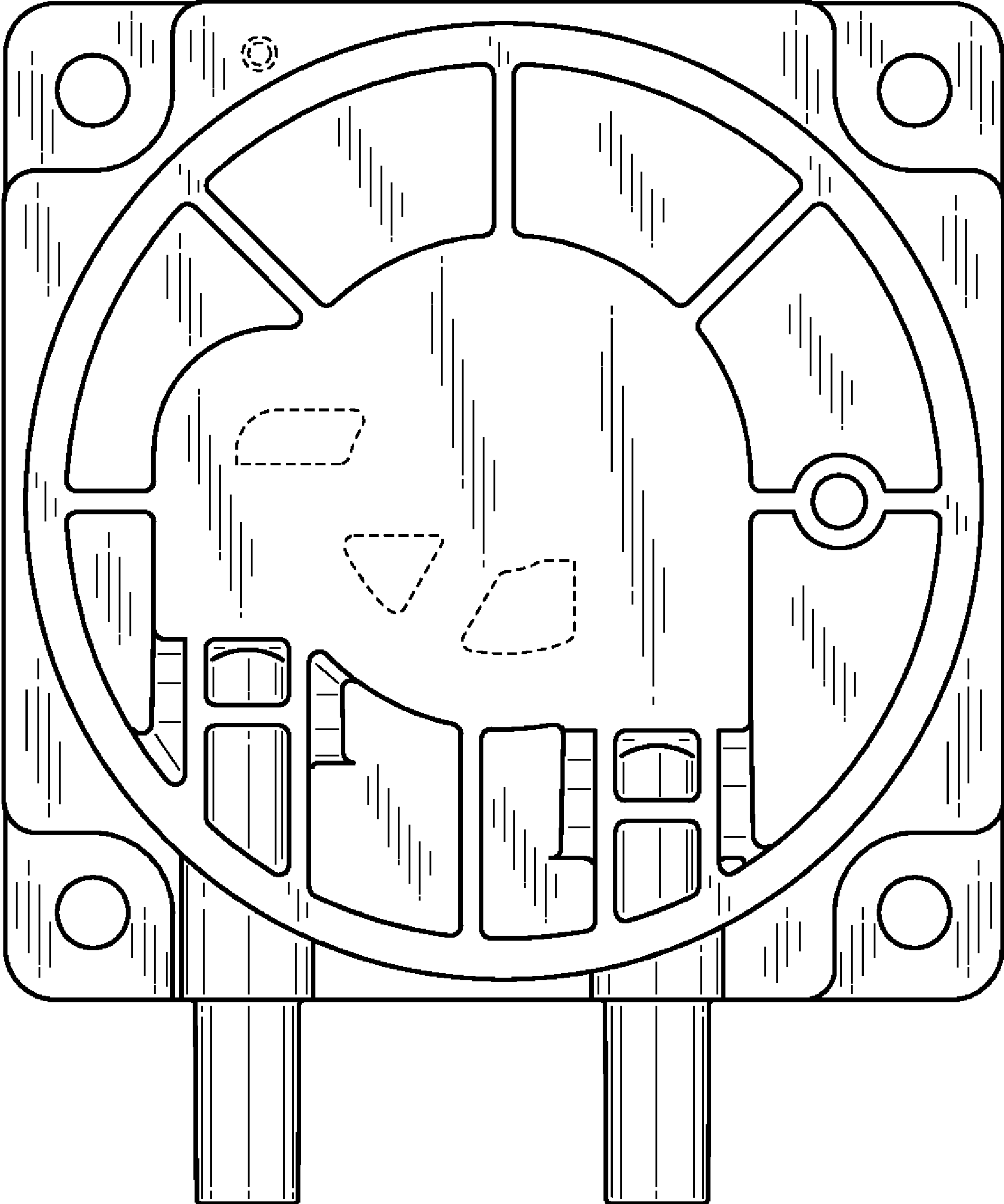


Fig. 7

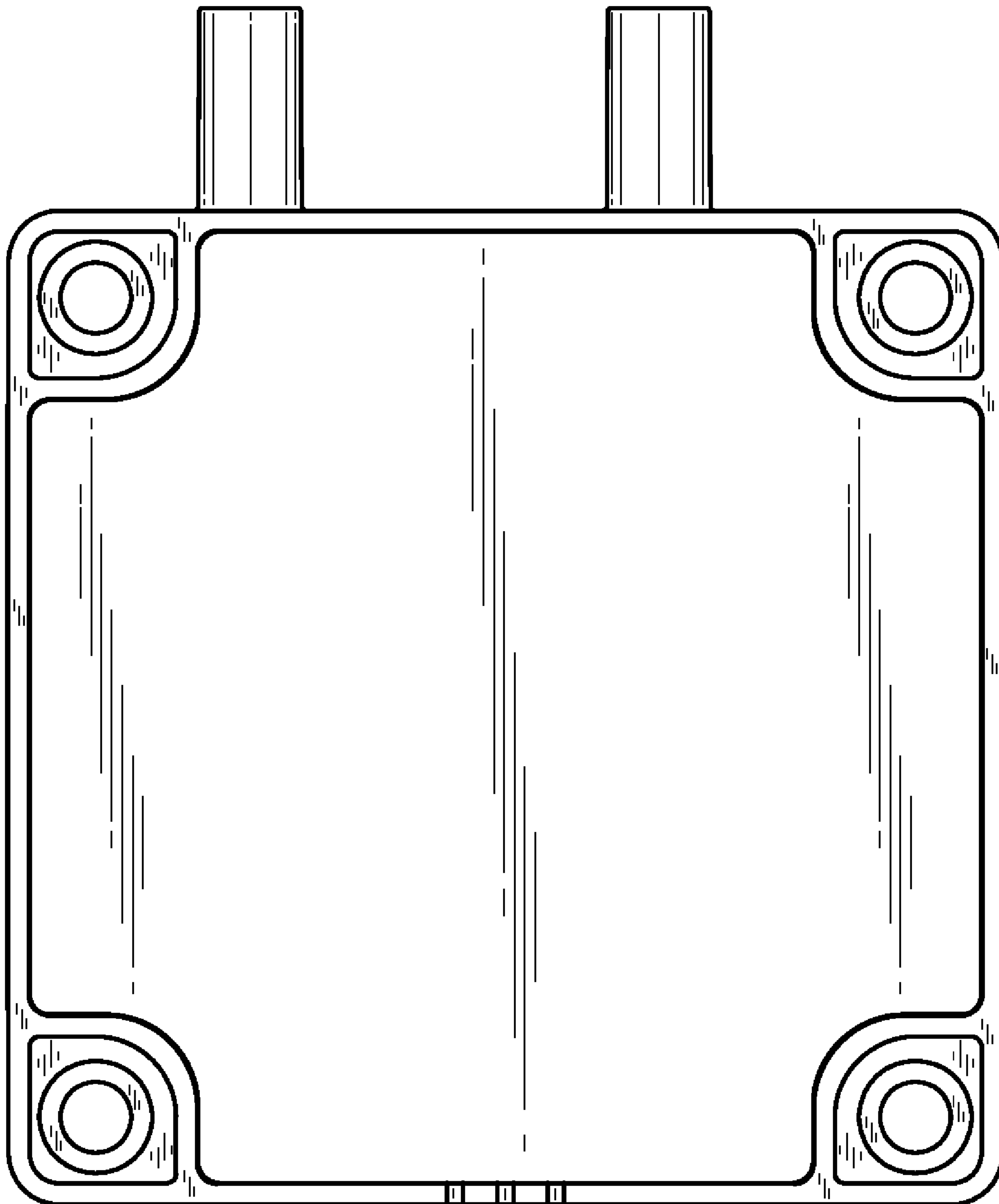


Fig.8

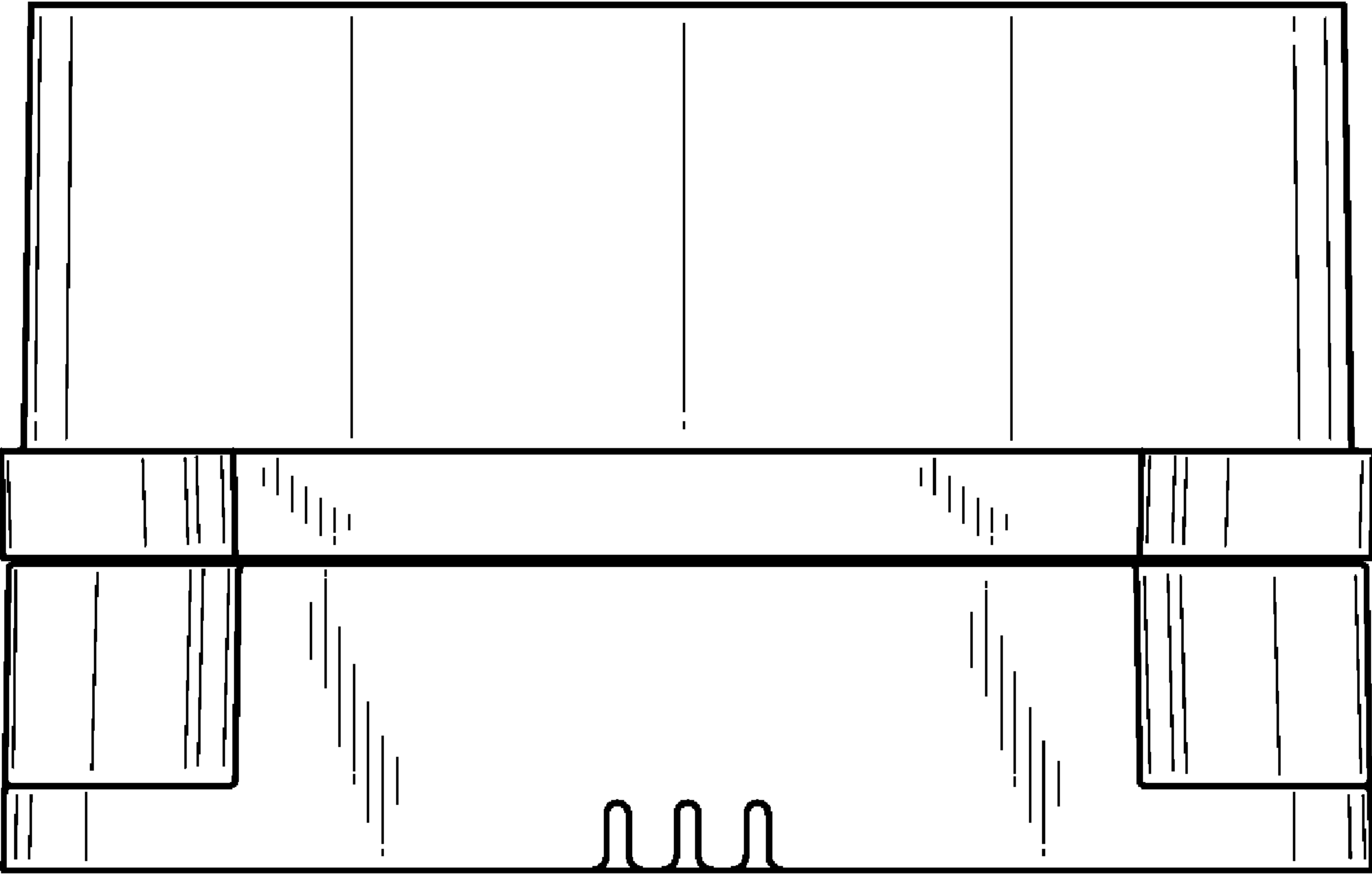


Fig.9

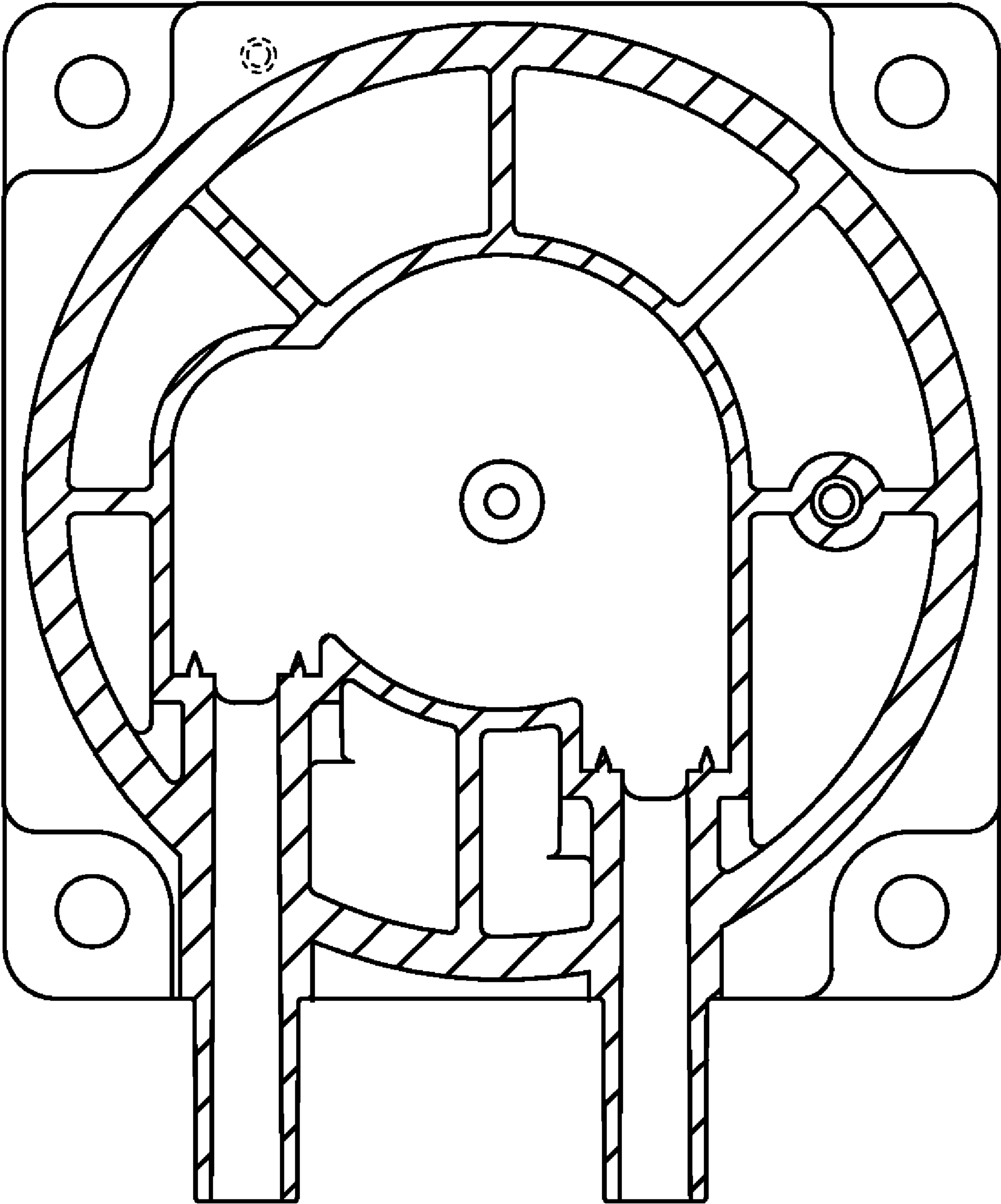


Fig. 10

