



US00D616902S

(12) **United States Design Patent**  
**Foreman et al.**

(10) **Patent No.:** **US D616,902 S**  
(45) **Date of Patent:** **\*\* Jun. 1, 2010**

(54) **PUMP CASING COMPONENT**

(75) Inventors: **Michael Christopher Foreman**,  
Northmead (AU); **Ana Milian**, Quakers  
Hill (AU)

(73) Assignee: **Weir Minerals Australia, Ltd.**,  
Artarmon (AU)

(\*\*) Term: **14 Years**

(21) Appl. No.: **29/313,825**

(22) Filed: **Feb. 13, 2009**

(30) **Foreign Application Priority Data**

Aug. 14, 2008 (AU) ..... 13898/2008

(51) **LOC (9) Cl.** ..... **15-02**

(52) **U.S. Cl.** ..... **D15/7**

(58) **Field of Classification Search** ..... D15/7-9;  
D23/231, 232, 225; 417/410.1, 359, 415-416,  
417/234, 321, 265, 405

See application file for complete search history.

(56) **References Cited**

**U.S. PATENT DOCUMENTS**

3,319,573 A \* 5/1967 Judd ..... 415/144  
D368,913 S \* 4/1996 Wightley ..... D15/7  
D381,339 S \* 7/1997 Wightley ..... D15/7  
D545,326 S \* 6/2007 Zellers ..... D14/480.5

**OTHER PUBLICATIONS**

“Horizontal Slurry Pumps brochure, Weir Slurry Group, Inc. 2008.”

\* cited by examiner

*Primary Examiner*—Ralf Seifert

(74) *Attorney, Agent, or Firm*—Morriss O’Bryant Compagni

(57) **CLAIM**

The ornamental design for the pump casing component, as shown and described herein.

**DESCRIPTION**

FIG. 1 is a perspective view of the pump casing component of the invention;

FIG. 2 is a view in elevation of the pump casing component shown in FIG. 1 rotated vertically to the right;

FIG. 3 is a view in elevation of the pump casing component shown in FIG. 2 rotated vertically 180° ;

FIG. 4 is a top side view of the pump casing component shown in FIG. 1;

FIG. 5 is a side view of the pump casing component shown in FIG. 2, rotated vertically 90° to the right;

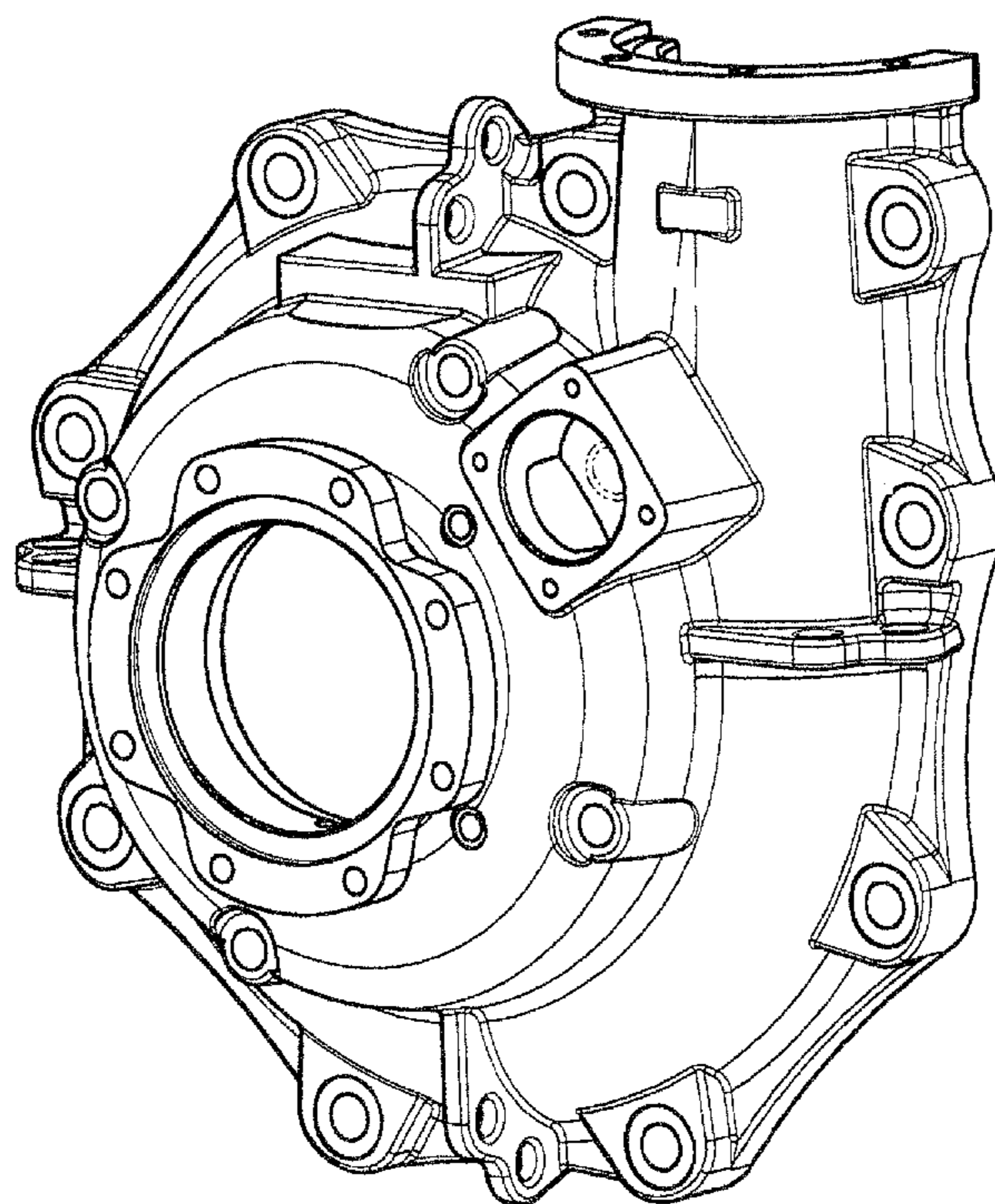
FIG. 6 is a side view of the pump casing component shown in FIG. 2, rotated vertically 90° to the left;

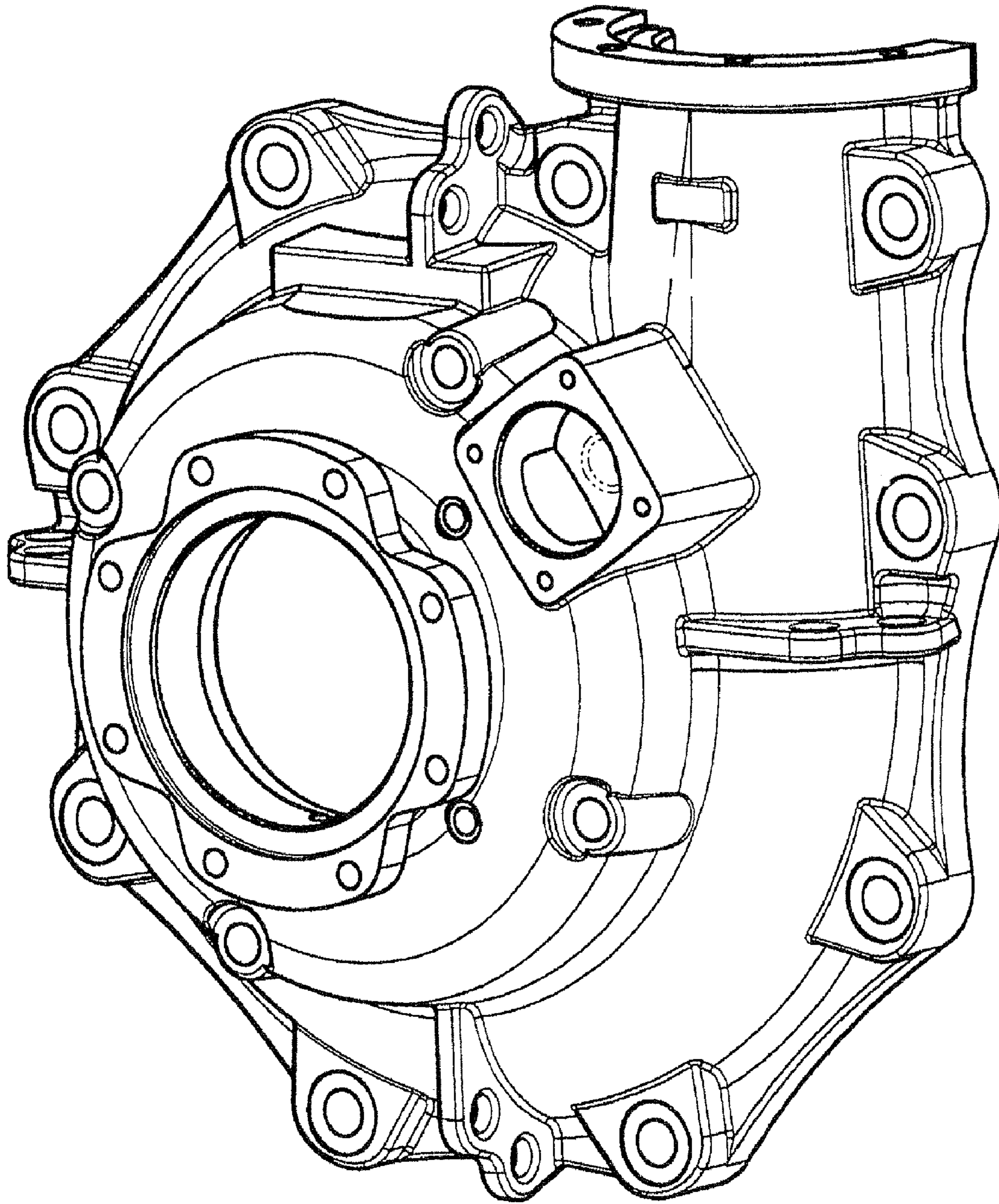
FIG. 7 is bottom side view of the pump casing component shown in FIG. 4, rotated vertically 180° ; and,

FIG. 8 is a perspective view of the pump casing component shown in FIG. 1, rotated 180° .

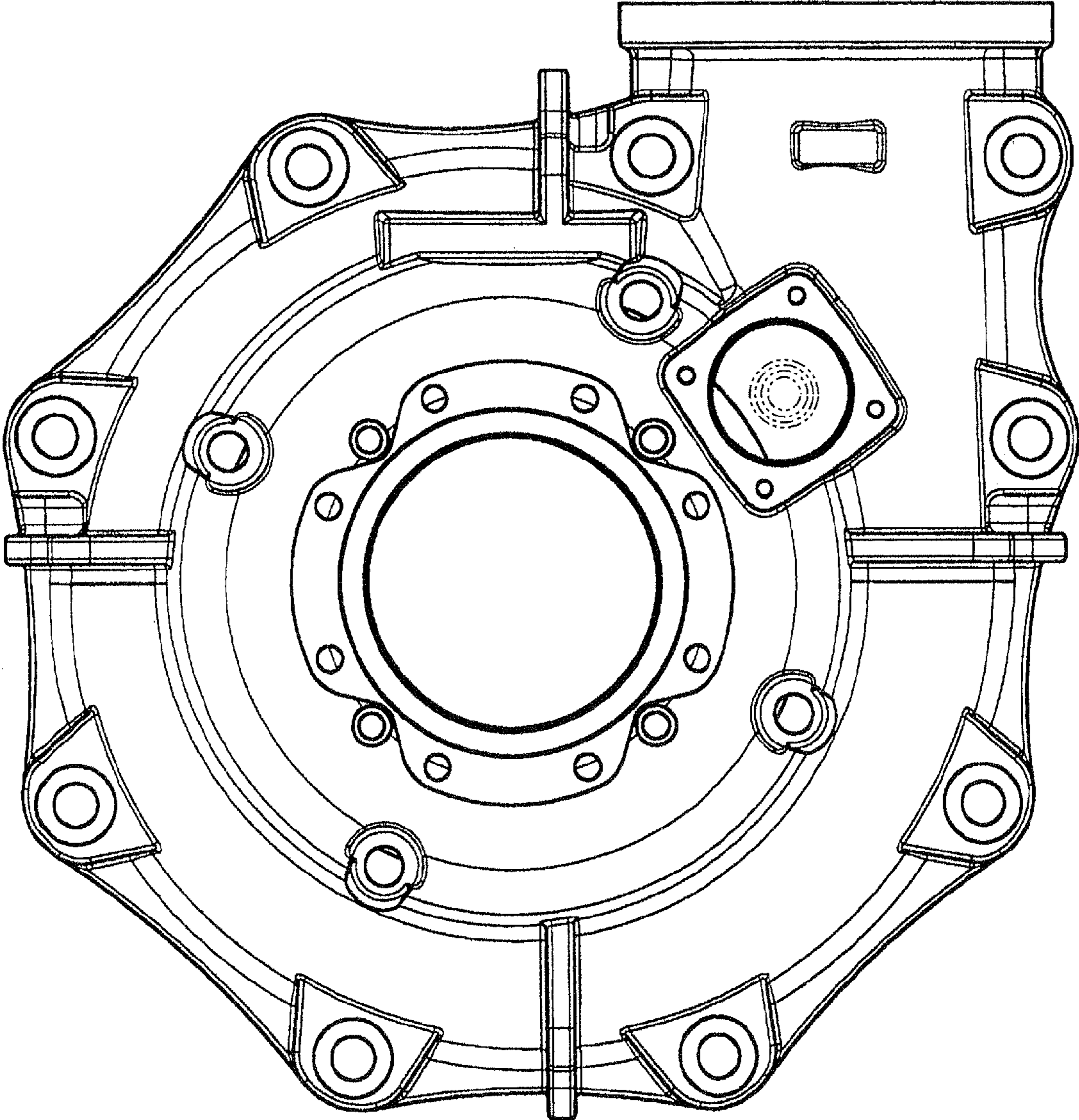
The broken lines in FIGS. 1 and 2 are included for the purpose of illustrating a portion of the pump casing component that forms no part of the claimed design.

**1 Claim, 8 Drawing Sheets**

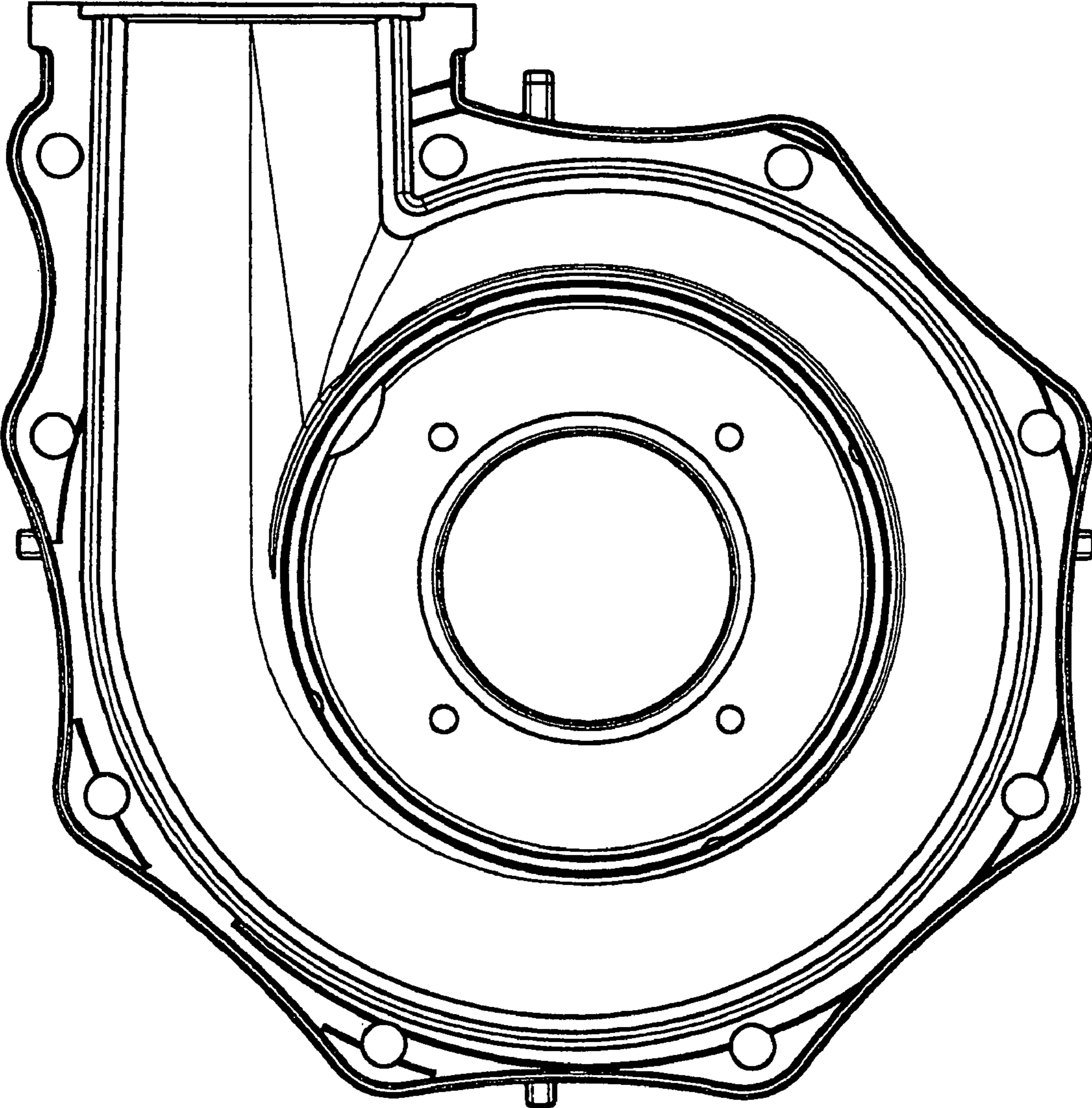




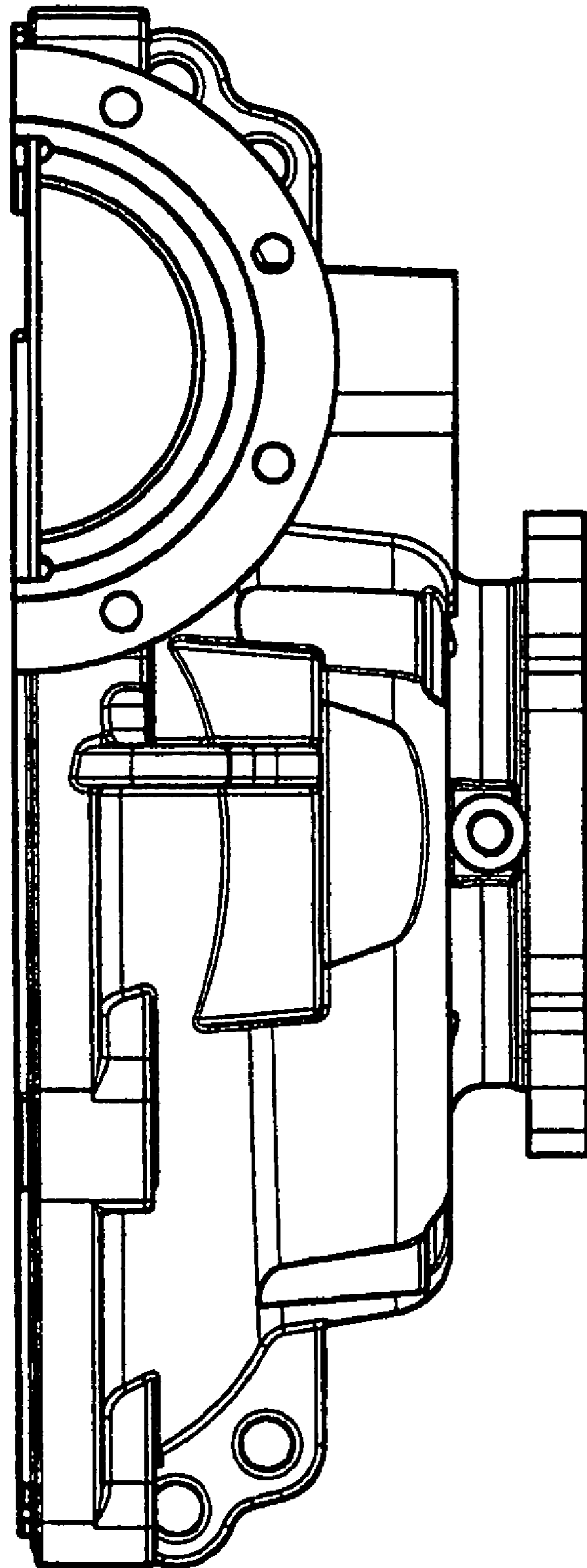
**FIG. 1**



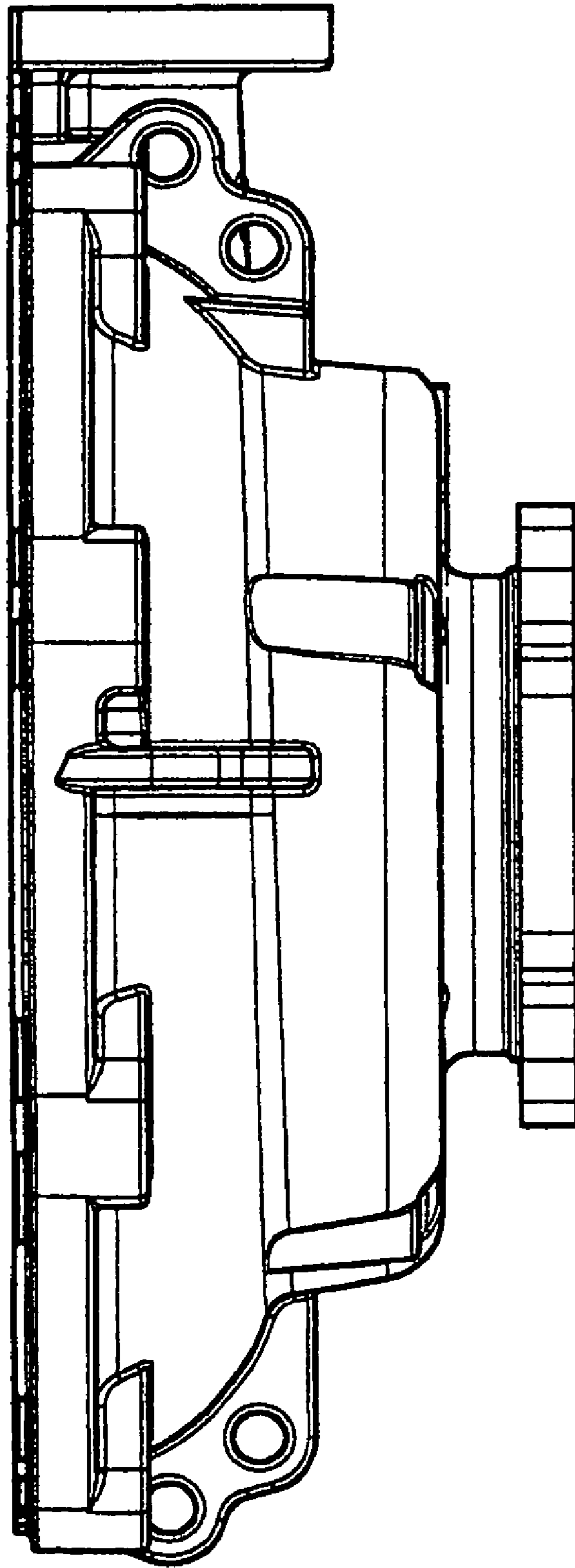
**FIG. 2**



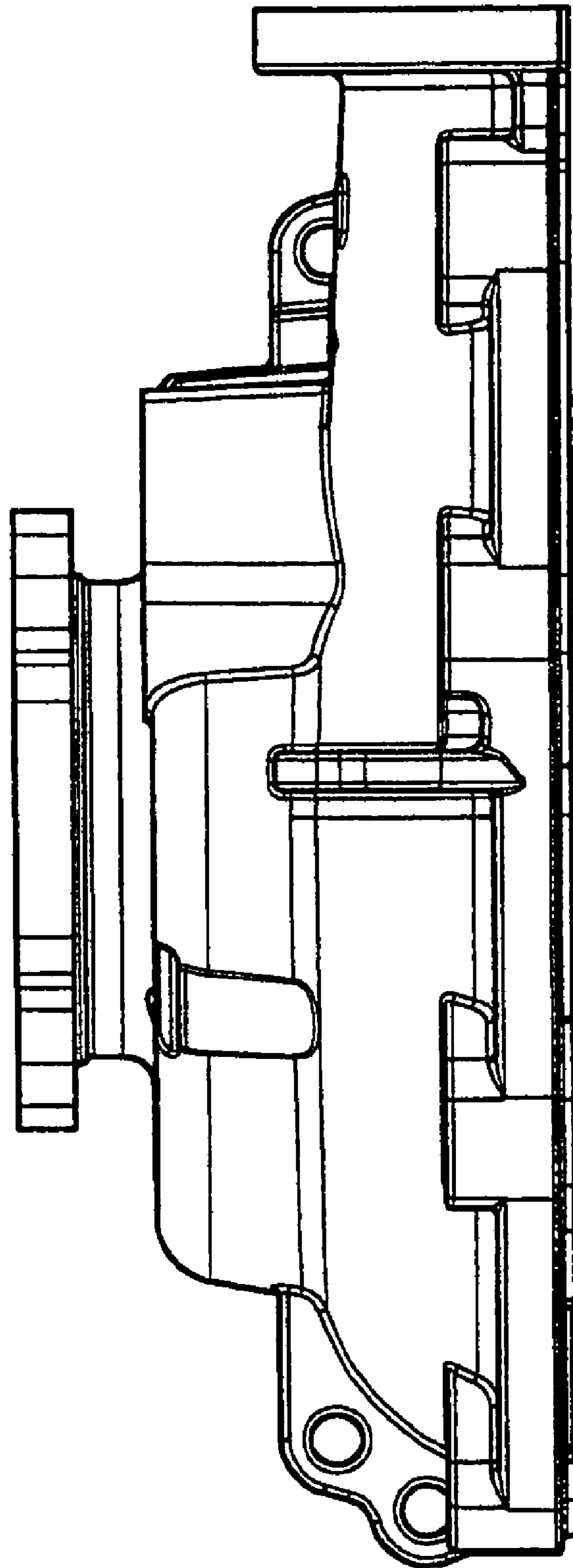
**FIG. 3**



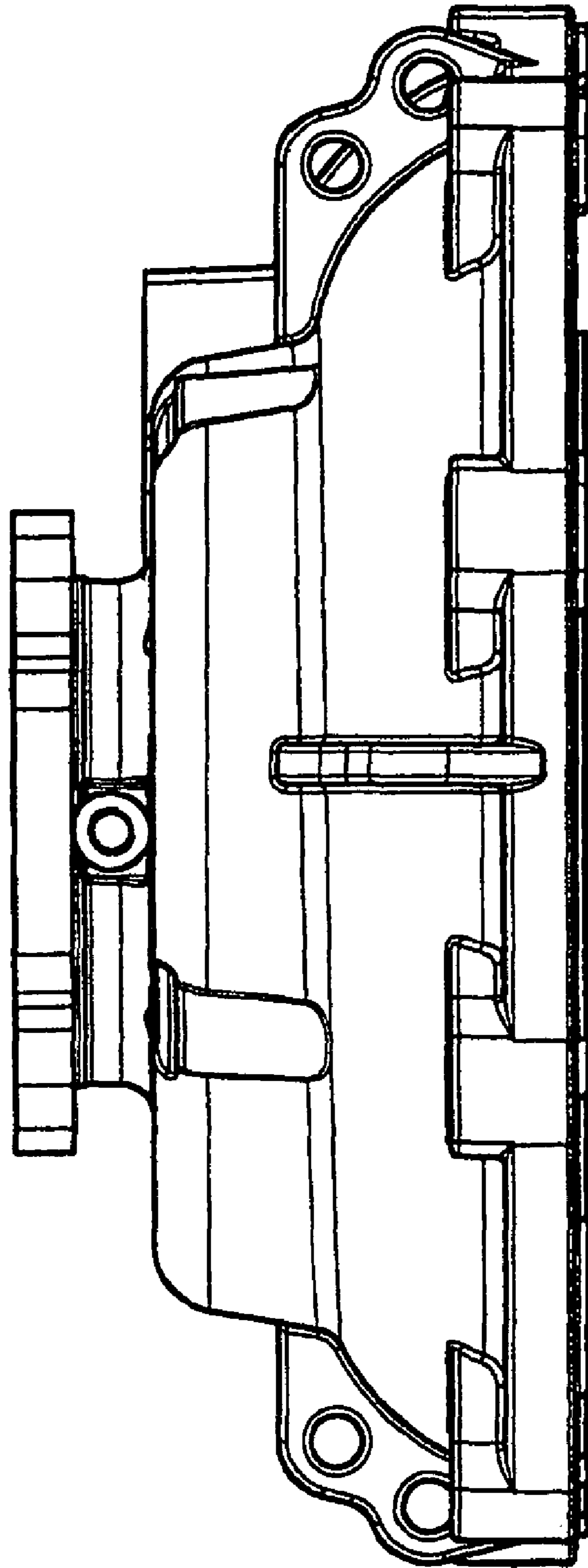
**FIG. 4**



**FIG. 5**

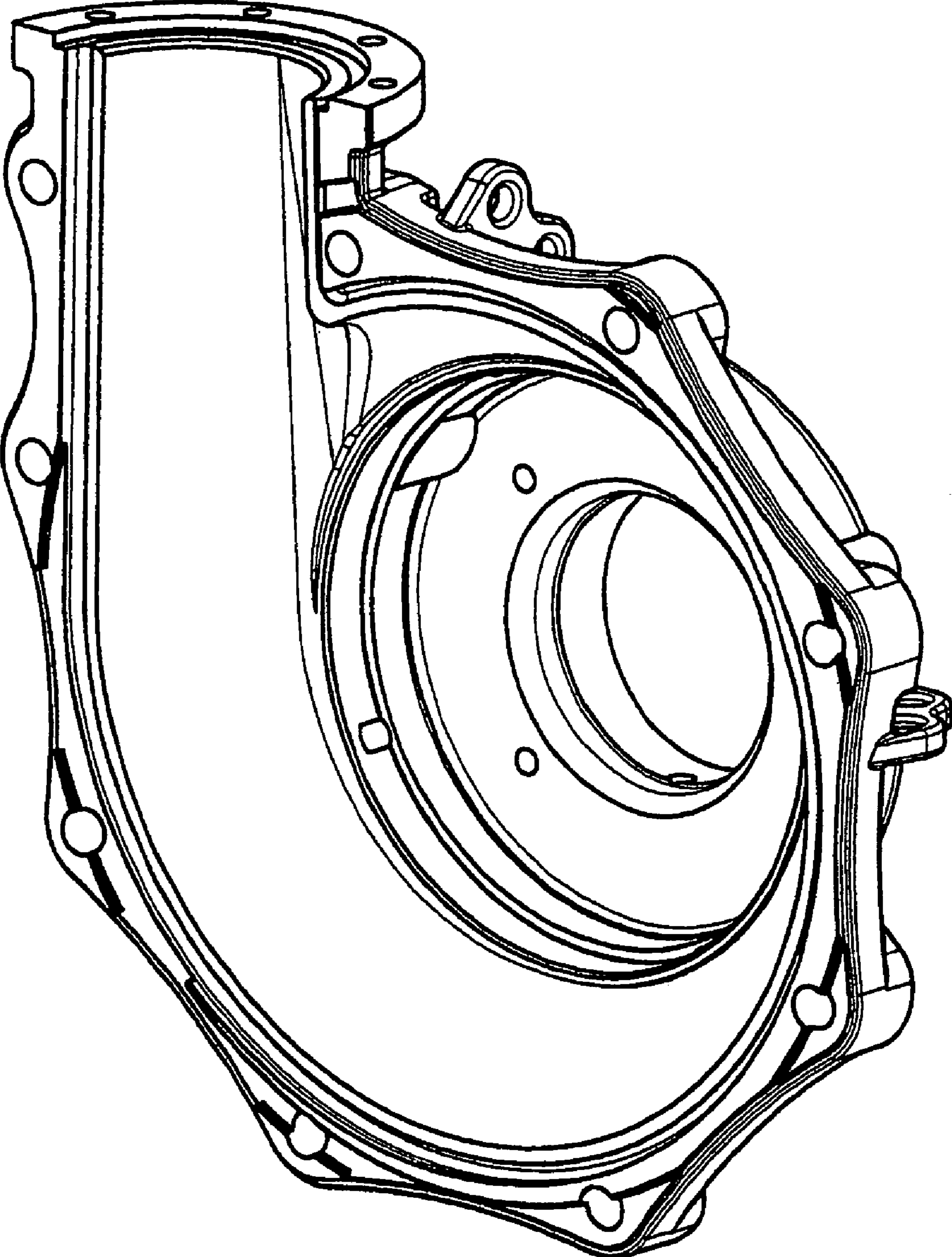


**FIG. 6**



**FIG. 7**





**FIG. 8**