



US00D616898S

(12) **United States Design Patent**  
**Miller et al.**

(10) **Patent No.:** **US D616,898 S**  
(45) **Date of Patent:** **\*\* Jun. 1, 2010**

(54) **AUDIO DEVICE**

(75) Inventors: **John M Miller**, Grayslake, IL (US);  
**Lawrence W Colwell**, Elgin, IL (US)

(73) Assignee: **Motorola, Inc.**, Schaumburg, IL (US)

(\*\*) Term: **14 Years**

(21) Appl. No.: **29/324,602**

(22) Filed: **Sep. 16, 2008**

(51) **LOC (9) Cl.** ..... **14-03**

(52) **U.S. Cl.** ..... **D14/496; D14/203.1**

(58) **Field of Classification Search** ..... D14/496,  
D14/401, 435, 474, 483, 217, 137, 138, 160,  
D14/168, 356, 203.1–203.8, 507; 345/156,  
345/169, 173–179, 905; 715/727–729, 864;  
710/1, 5, 8; 713/1, 600; 455/1.1, 1.7, 73,  
455/344–347, 93, 95, 3.01–3.06, 550.1, 573.1;  
370/342–344; 369/1, 2, 6–12; 463/43–47;  
273/148 B

See application file for complete search history.

(56) **References Cited**

**U.S. PATENT DOCUMENTS**

5,859,594 A \* 1/1999 King et al. .... 340/7.55  
6,791,907 B2 \* 9/2004 Berhan ..... 369/7  
6,795,381 B2 \* 9/2004 Ando et al. .... 369/30.03  
7,090,582 B2 \* 8/2006 Danieli et al. .... 463/35

D542,305 S \* 5/2007 Thomas et al. .... D14/496  
D560,228 S \* 1/2008 Andre et al. .... D14/496  
D562,846 S \* 2/2008 Poandl ..... D14/496  
D572,269 S \* 7/2008 Fullerton et al. .... D14/496  
D581,429 S \* 11/2008 Gilmore ..... D14/496  
D586,364 S \* 2/2009 Hermansen ..... D14/496  
7,593,536 B2 \* 9/2009 Sung et al. .... 381/312

\* cited by examiner

*Primary Examiner*—Prabhakar Deshmukh

(57) **CLAIM**

The ornamental design for a audio device, as shown and described.

**DESCRIPTION**

FIG. 1 is a perspective view of an ornamental design for a audio device;

FIG. 2 is a top view thereof;

FIG. 3 is a bottom view thereof;

FIG. 4 is a first side view thereof;

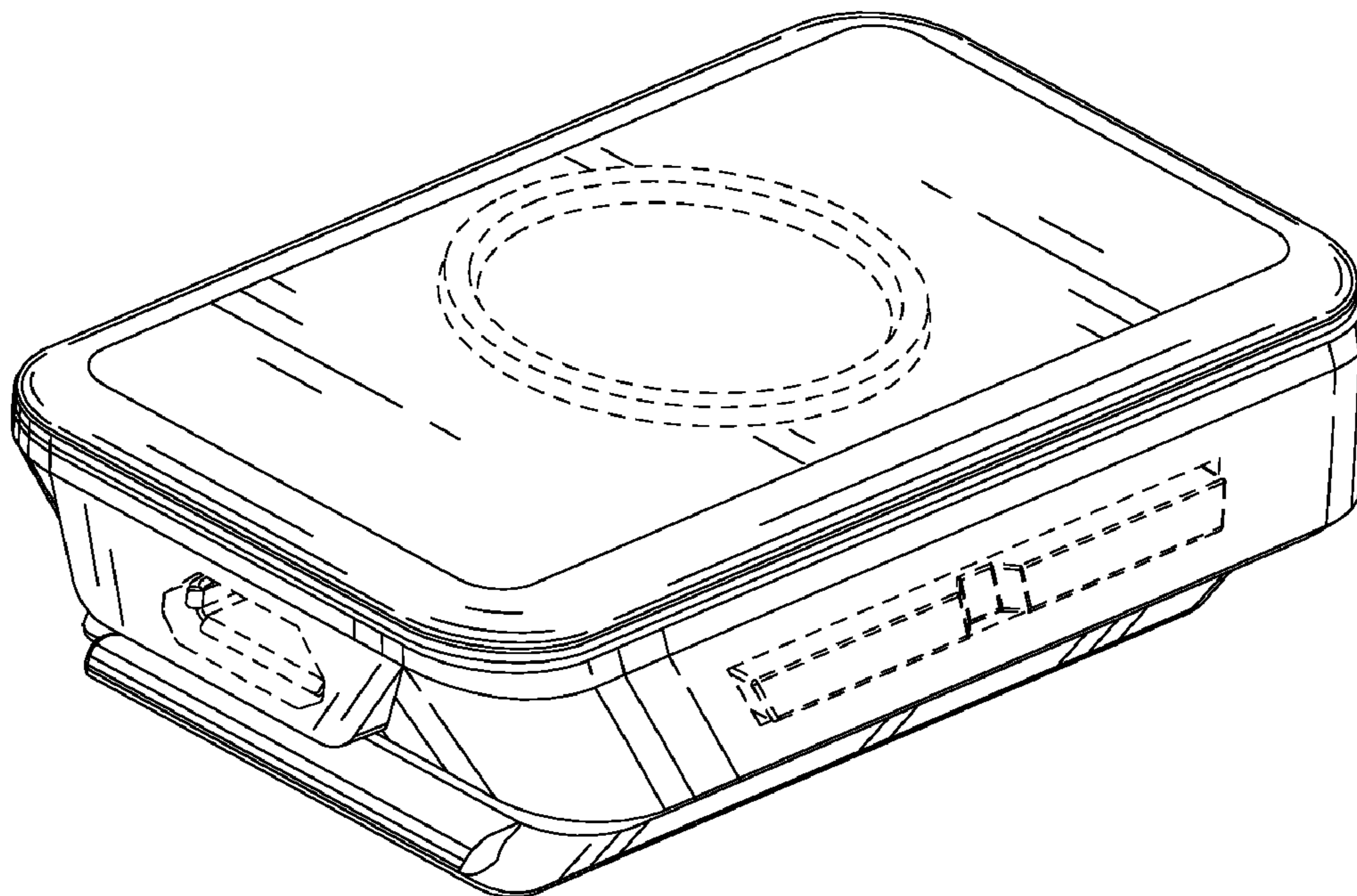
FIG. 5 is a second side view thereof;

FIG. 6 is a front view thereof; and,

FIG. 7 is a rear view thereof.

The broken line in FIGS. 1–7 showing environmental structures is for illustrative purposes and forms no part of the claim design.

**1 Claim, 4 Drawing Sheets**



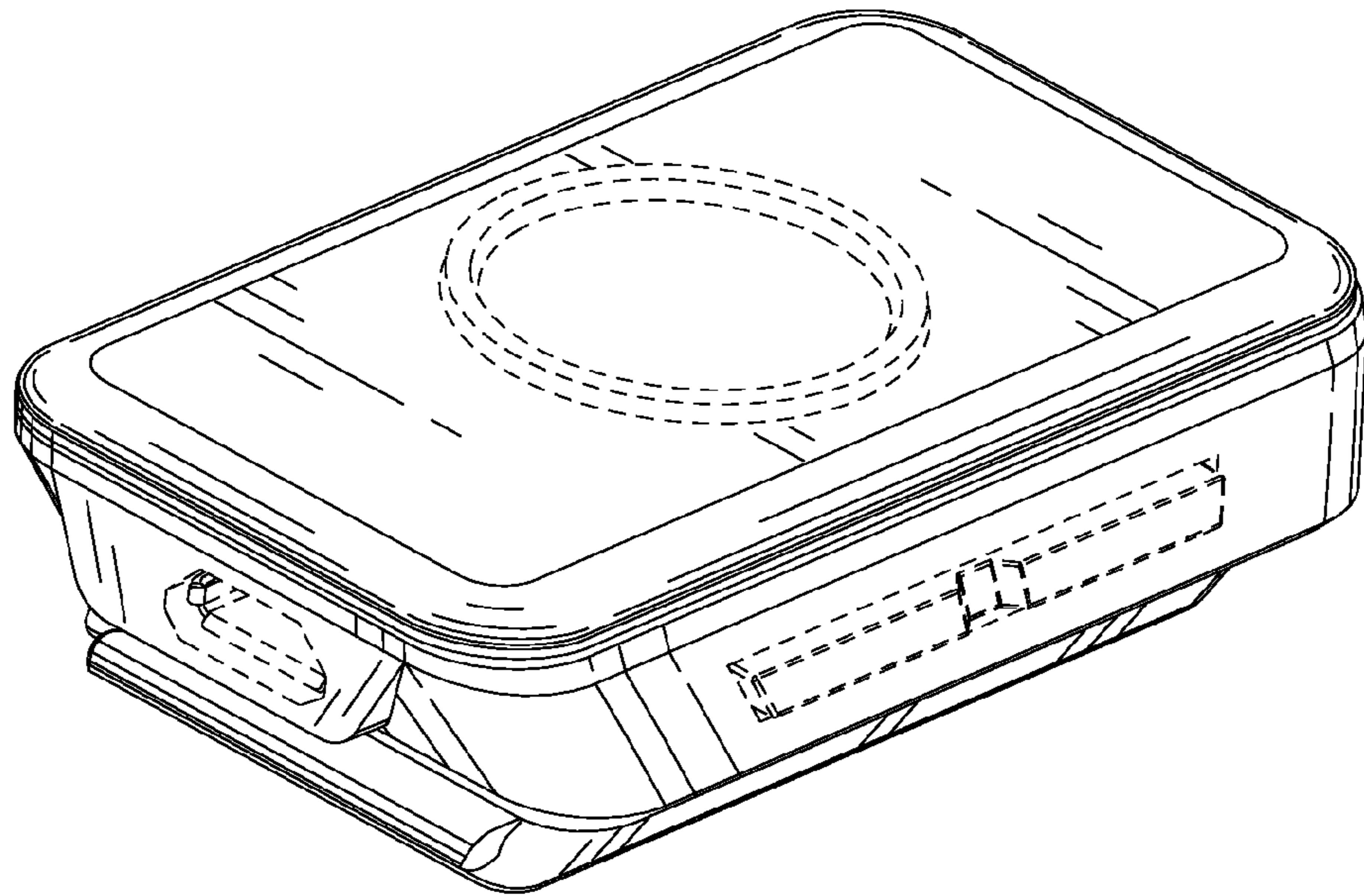


FIG. 1

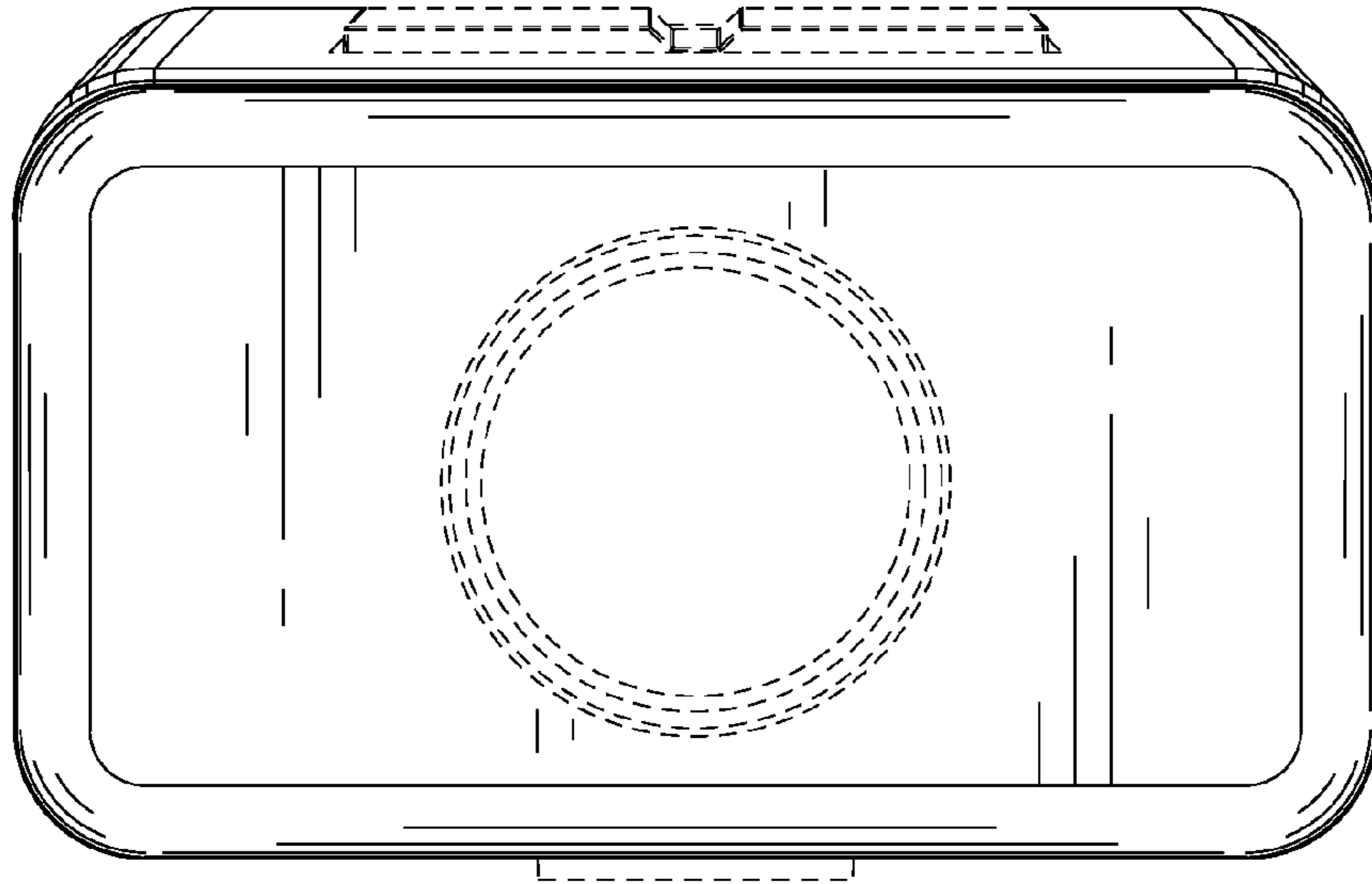


FIG. 2

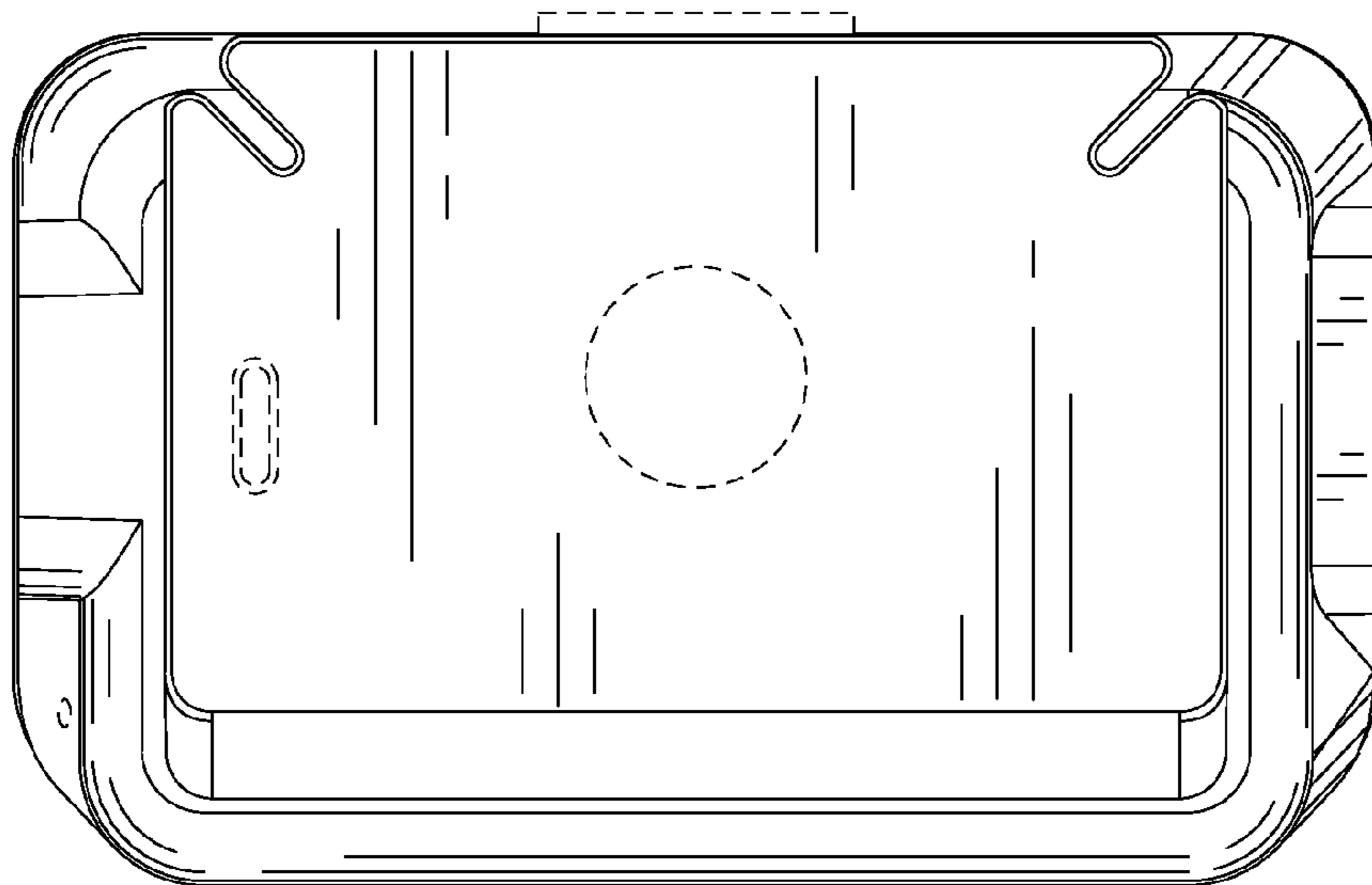


FIG. 3

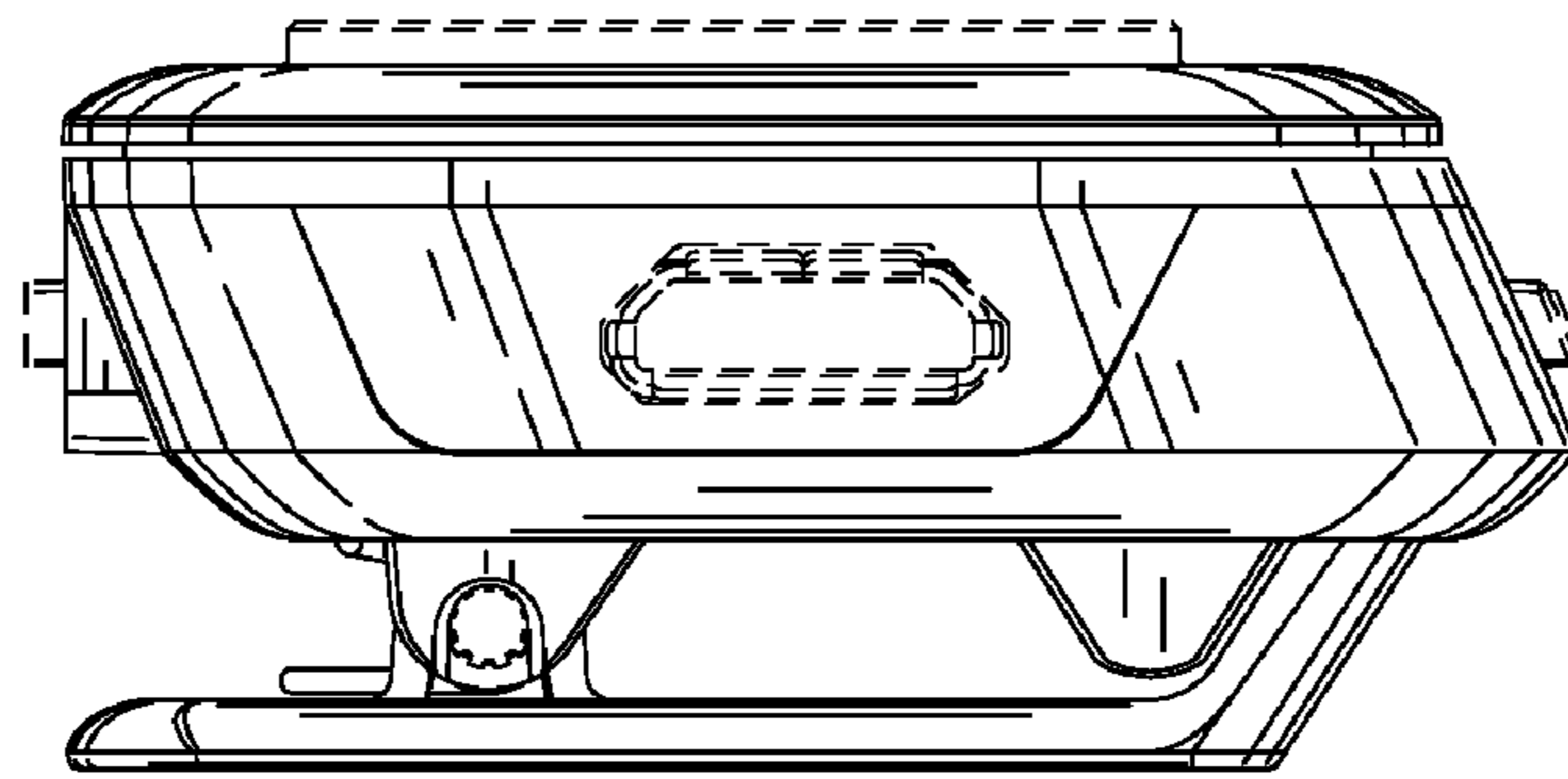


FIG. 4

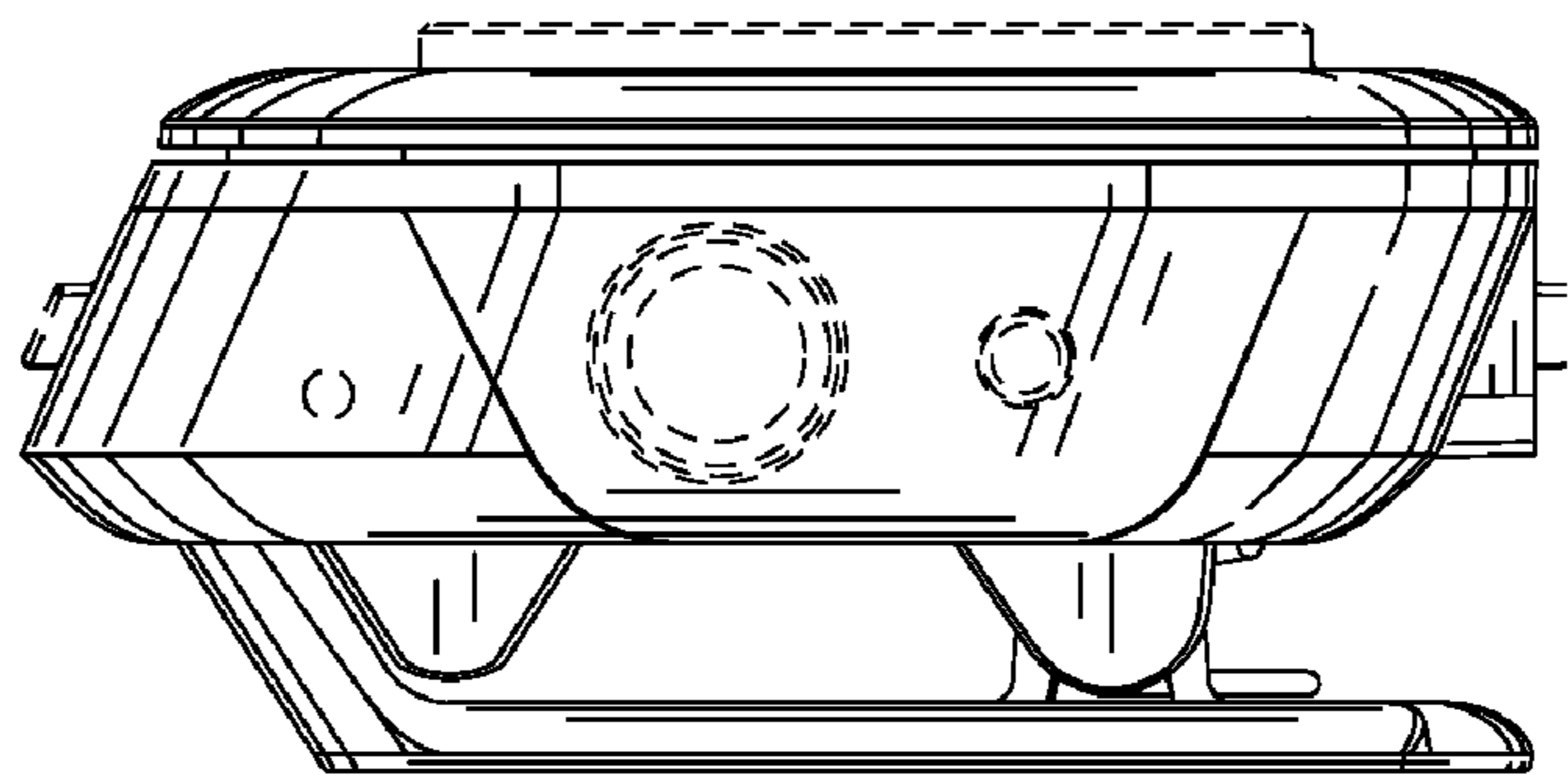


FIG. 5

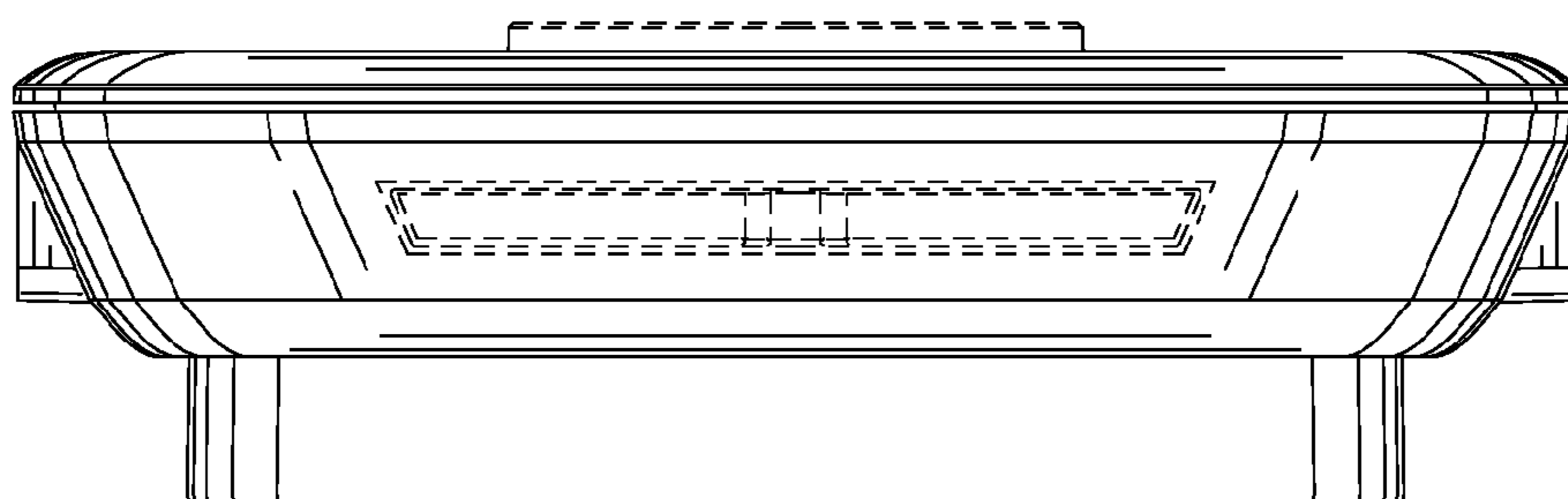


FIG. 6

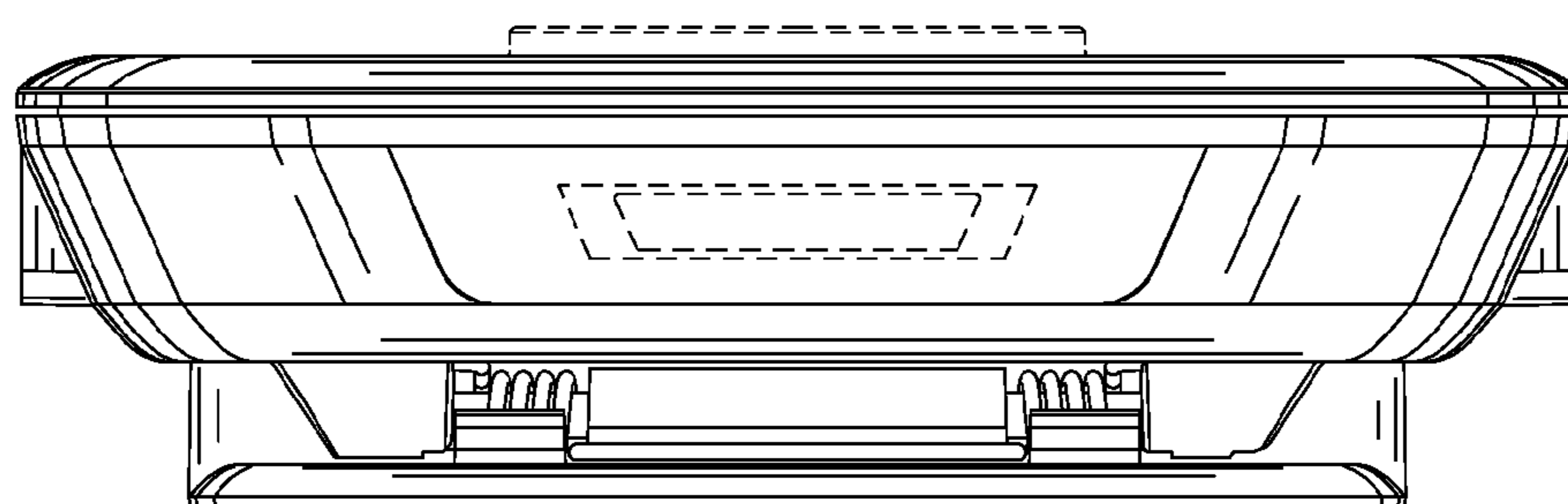


FIG. 7