



US00D616888S

(12) **United States Design Patent**
Chen

(10) **Patent No.:** **US D616,888 S**
(45) **Date of Patent:** **** Jun. 1, 2010**

(54) **WIRELESS MOUSE**

2008/0170038 A1* 7/2008 Chiang 345/163
2008/0266258 A1* 10/2008 Chiang 345/163

(75) Inventor: **Minghua Chen**, Ningbo (CN)

OTHER PUBLICATIONS

(73) Assignee: **Beifa Group Co., Ltd.**, Ningbo (CN)

Darfon Electronic Corp.—FPD & Precision Component Solution Provider, [online], [retrieved on Sep. 30, 2009]. Retrieved from the Internet <URL: http://www.darfon.com.tw/English/HID_Mouse.asp>.*

(**) Term: **14 Years**

* cited by examiner

(21) Appl. No.: **29/334,007**

(22) Filed: **Mar. 18, 2009**

Primary Examiner—Cathron C Brooks

Assistant Examiner—Karen E Kearney

(30) **Foreign Application Priority Data**

(74) *Attorney, Agent, or Firm*—Christensen O'Connor Johnson Kindness PLLC

Sep. 26, 2008 (CN) 2008 3 0211811

(51) **LOC (9) Cl.** **14-02**

(57) **CLAIM**

(52) **U.S. Cl.** **D14/407**

The ornamental design for a wireless mouse, as shown and described.

(58) **Field of Classification Search** D14/402–417;
345/163–167, 179, 180; 463/36–39; 273/148 B;
358/471, 473; D21/333

See application file for complete search history.

DESCRIPTION

(56) **References Cited**

FIG. 1 is an upper rear left perspective view of a wireless mouse showing my new design;

U.S. PATENT DOCUMENTS

FIG. 2 is a top plan view thereof;

- D292,600 S * 11/1987 Wagner D14/417
- D346,581 S * 5/1994 Tattari D13/103
- D483,764 S * 12/2003 Masamitsu et al. D14/407
- D527,731 S * 9/2006 Lee D14/402
- D534,168 S * 12/2006 Wada D14/407
- D534,534 S * 1/2007 Wada D14/407
- D534,535 S * 1/2007 Tzeng et al. D14/407
- D545,822 S * 7/2007 Murakami D14/407
- D601,121 S * 9/2009 Chen D14/167
- 2005/0190154 A1* 9/2005 Kuo 345/163
- 2006/0256085 A1* 11/2006 Tsai et al. 345/163
- 2007/0132732 A1* 6/2007 Chen et al. 345/163
- 2008/0084394 A1* 4/2008 Kang 345/166

FIG. 3 is a right side elevation view thereof, with the left side elevation view being a mirror image of the right side elevation view;

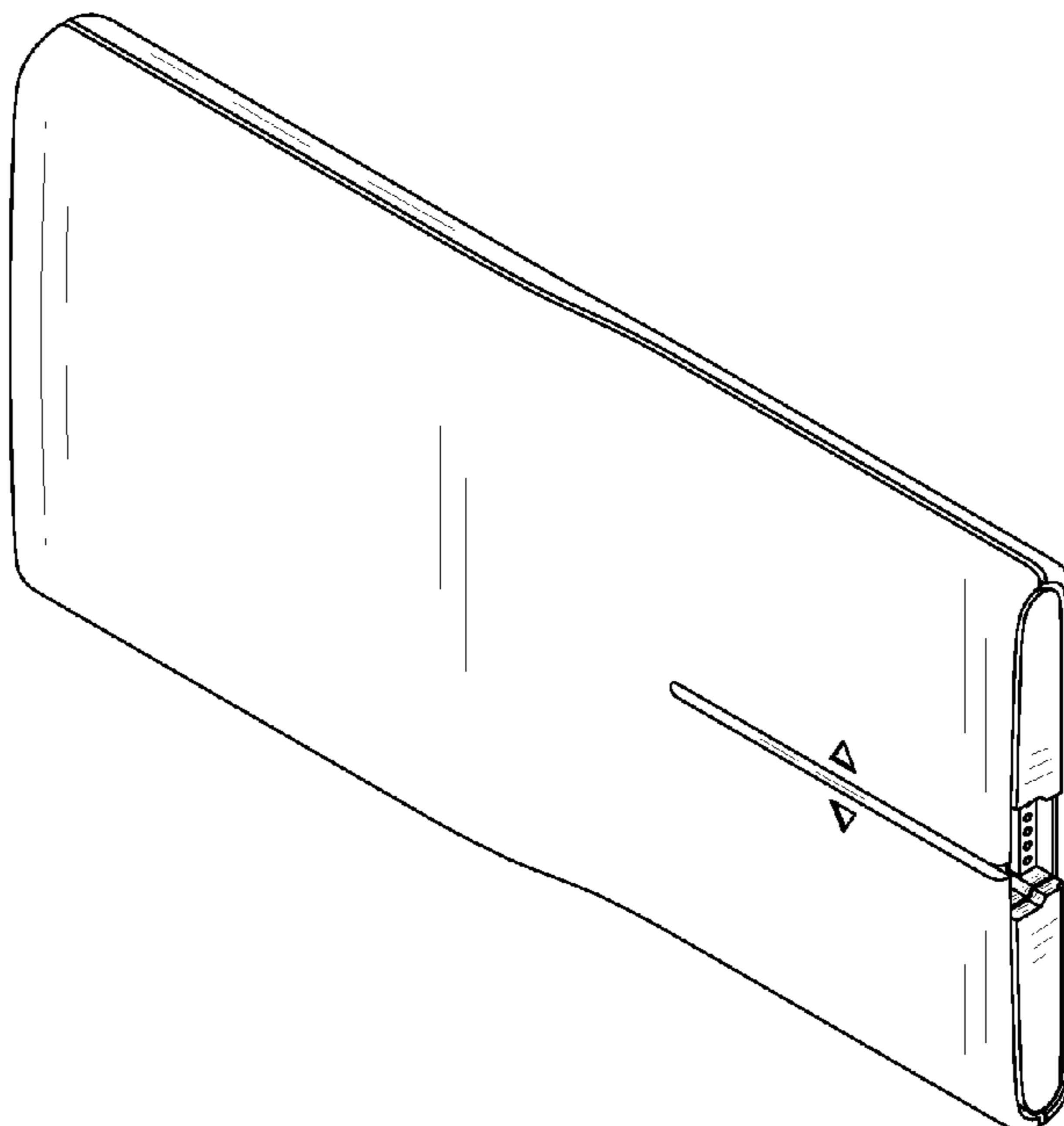
FIG. 4 is a bottom plan view thereof;

FIG. 5 is a front elevation view thereof; and,

FIG. 6 is a rear elevation view thereof.

The broken lines shown are included for the purpose of illustrating unclaimed portions of the Wireless Mouse and form no part of the claimed design.

1 Claim, 3 Drawing Sheets



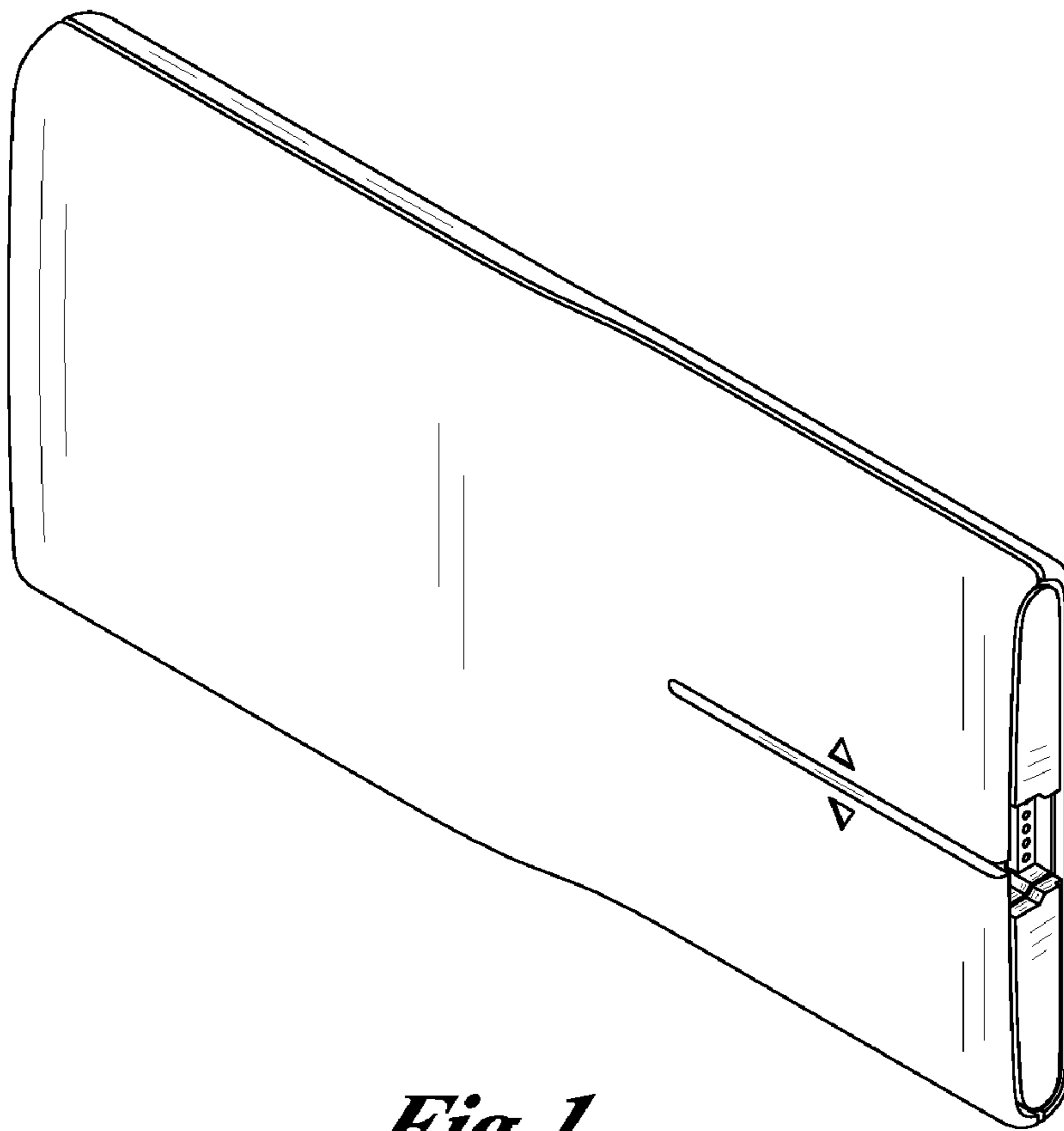


Fig. 1.

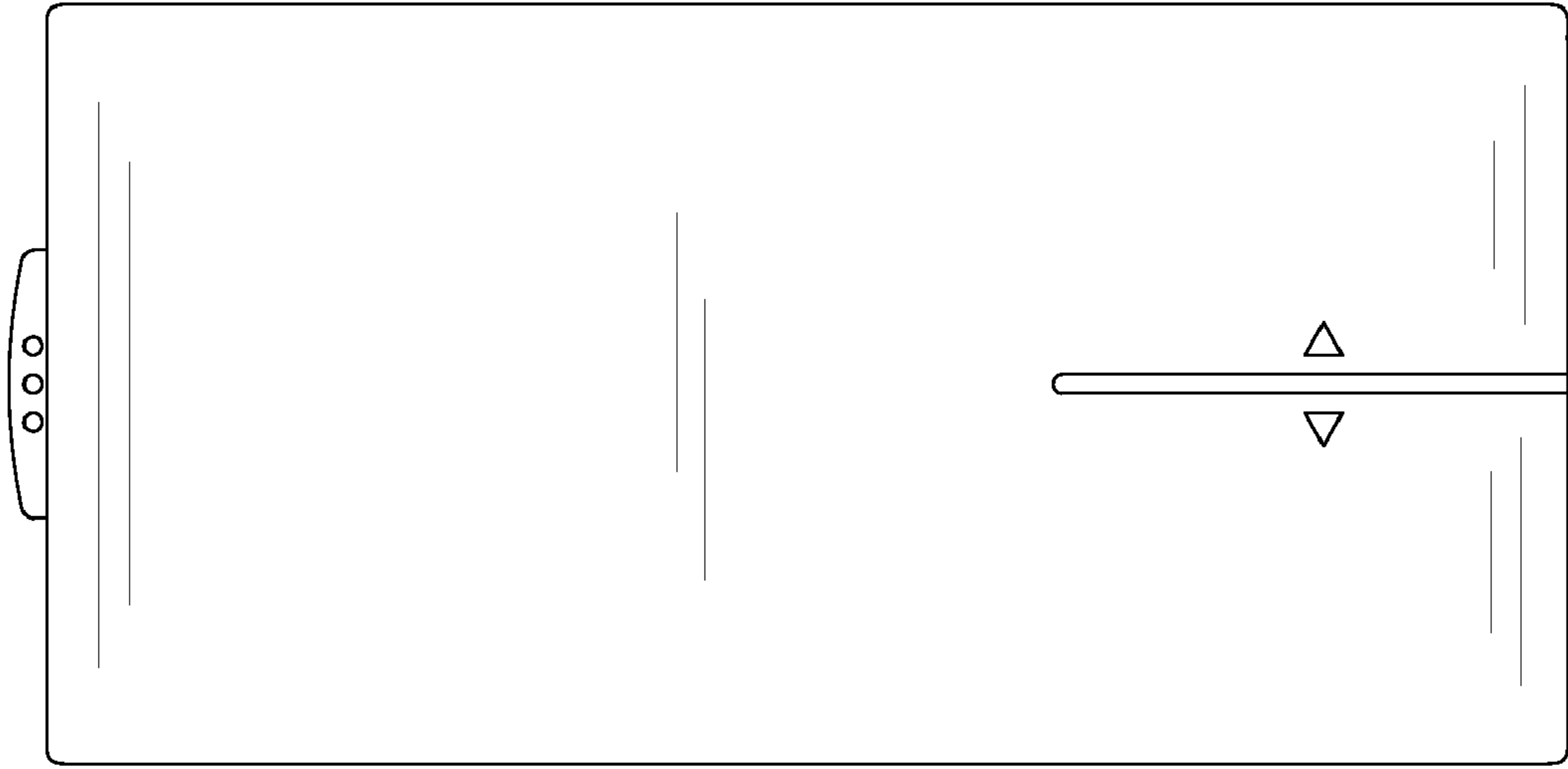


Fig. 2.

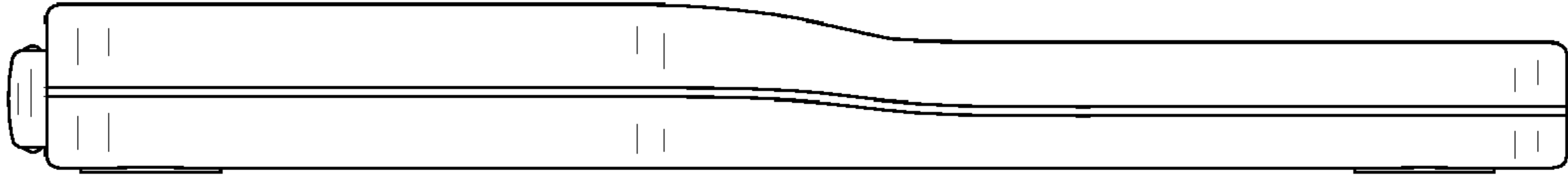


Fig. 3.

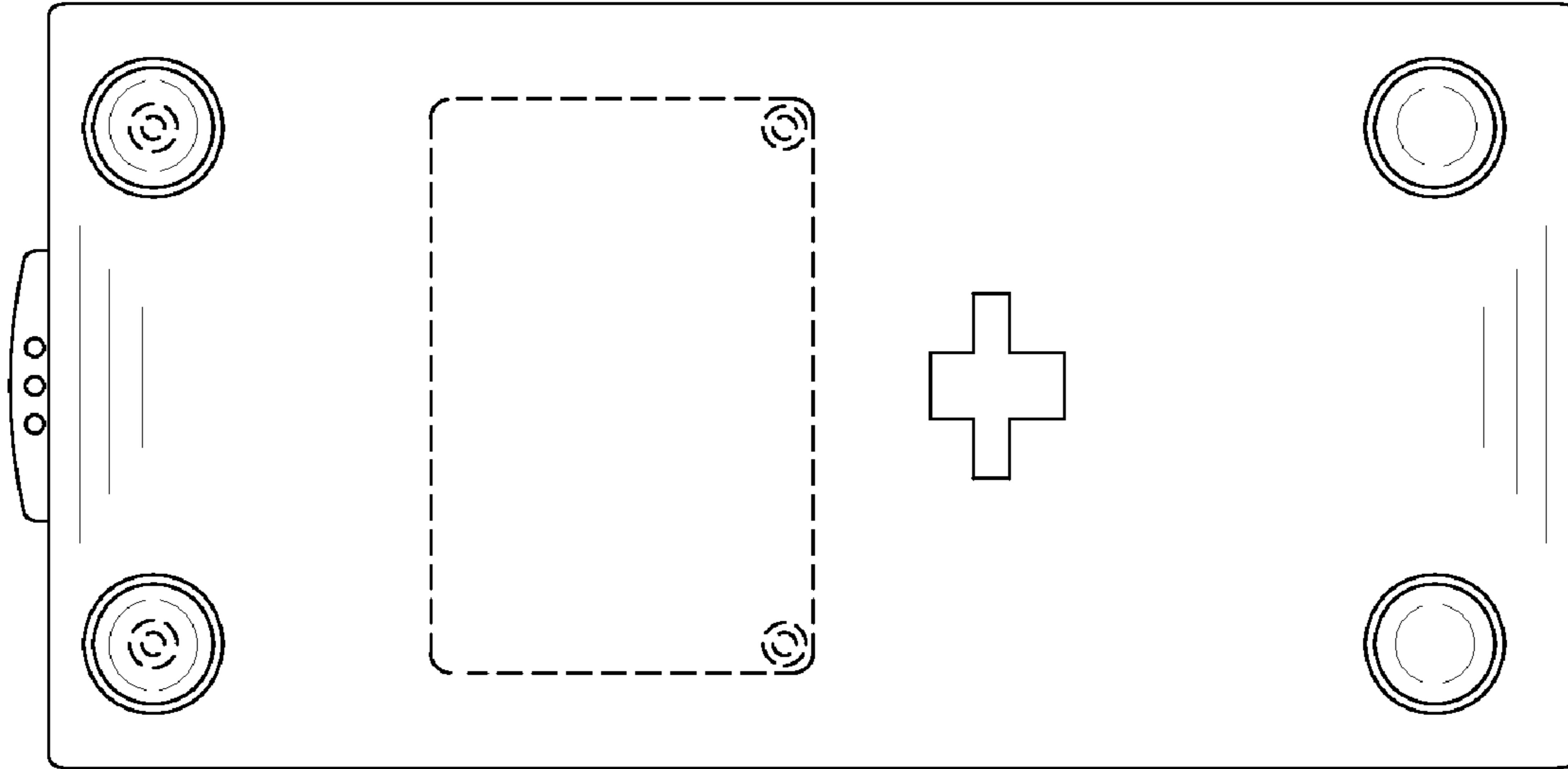


Fig. 4.

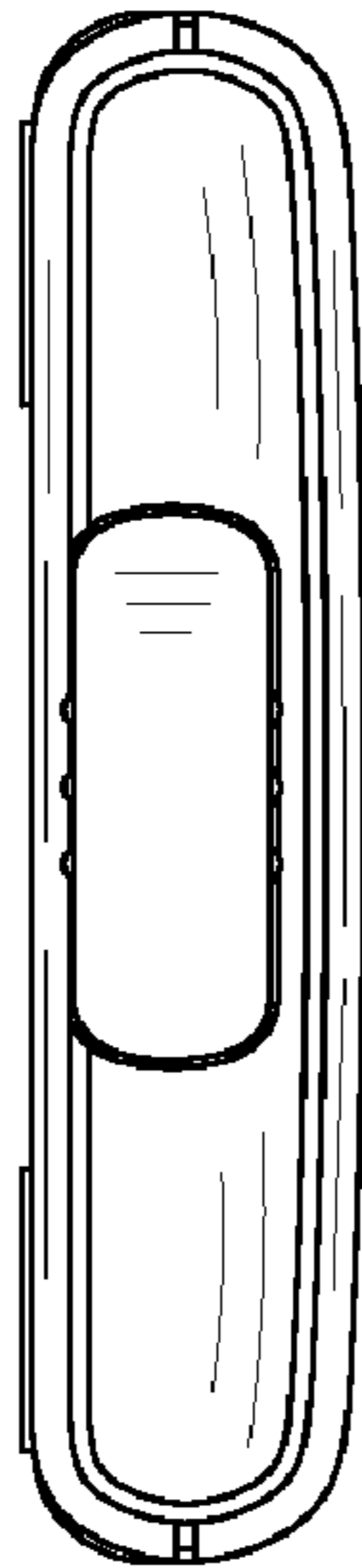


Fig. 5.

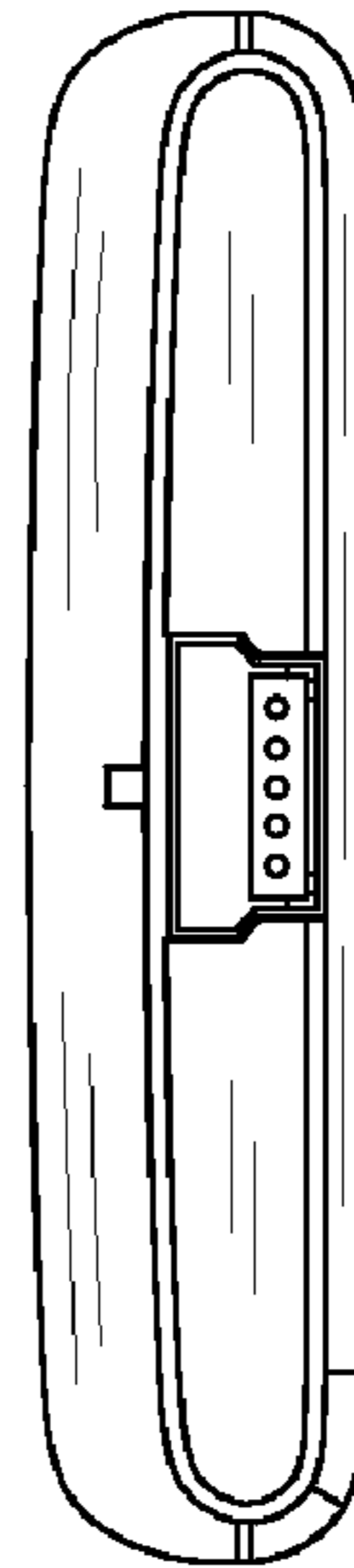


Fig. 6.