



US00D616886S

(12) **United States Design Patent**
Andre et al.

(10) **Patent No.:** **US D616,886 S**
(45) **Date of Patent:** **** *Jun. 1, 2010**

(54) **KEYBOARD**

(75) Inventors: **Bartley K. Andre**, Menlo Park, CA (US); **Daniel J. Coster**, San Francisco, CA (US); **Daniele De Iuliis**, San Francisco, CA (US); **Richard P. Howarth**, San Francisco, CA (US); **Jonathan P. Ive**, San Francisco, CA (US); **Steve Jobs**, Palo Alto, CA (US); **Duncan Robert Kerr**, San Francisco, CA (US); **Shin Nishibori**, Portola Valley, CA (US); **Matthew Dean Rohrbach**, San Francisco, CA (US); **Peter Russell-Clarke**, San Francisco, CA (US); **Douglas B. Satzger**, Menlo Park, CA (US); **Calvin Q. Seid**, Palo Alto, CA (US); **Vincent Keane Seid**, legal representative, Los Gatos, CA (US); **Christopher J. Stringer**, Woodside, CA (US); **Eugene Antony Whang**, San Francisco, CA (US); **Rico Zorkendorfer**, San Francisco, CA (US)

(73) Assignee: **Apple Inc.**, Cupertino, CA (US)

(**) Term: **14 Years**

(21) Appl. No.: **29/342,814**

(22) Filed: **Sep. 1, 2009**

Related U.S. Application Data

(62) Division of application No. 29/289,877, filed on Aug. 2, 2007.

(51) **LOC (9) Cl.** **14-02**

(52) **U.S. Cl.** **D14/392**

(58) **Field of Classification Search** D14/391-399, D14/336; D18/1, 2, 7; 178/17 A, 17 C; 200/5 A, 200/5 R, 6 A, 6 R; 235/145 A, 145 R; 345/160, 345/168, 169, 173; 341/22, 23; 400/484-489, 400/492

See application file for complete search history.

(56) **References Cited**

U.S. PATENT DOCUMENTS

D335,660	S	*	5/1993	Busch	D14/392
D346,161	S	*	4/1994	Oh et al.	D14/396
D348,875	S	*	7/1994	Wang	D14/393
5,717,430	A	*	2/1998	Copland et al.	345/168

(Continued)

OTHER PUBLICATIONS

Sony X505 Keyboard, available at least as early as May 8, 2005.

(Continued)

Primary Examiner—Freda S Nunn
(74) *Attorney, Agent, or Firm*—SAIDMAN DesignLaw Group

(57) **CLAIM**

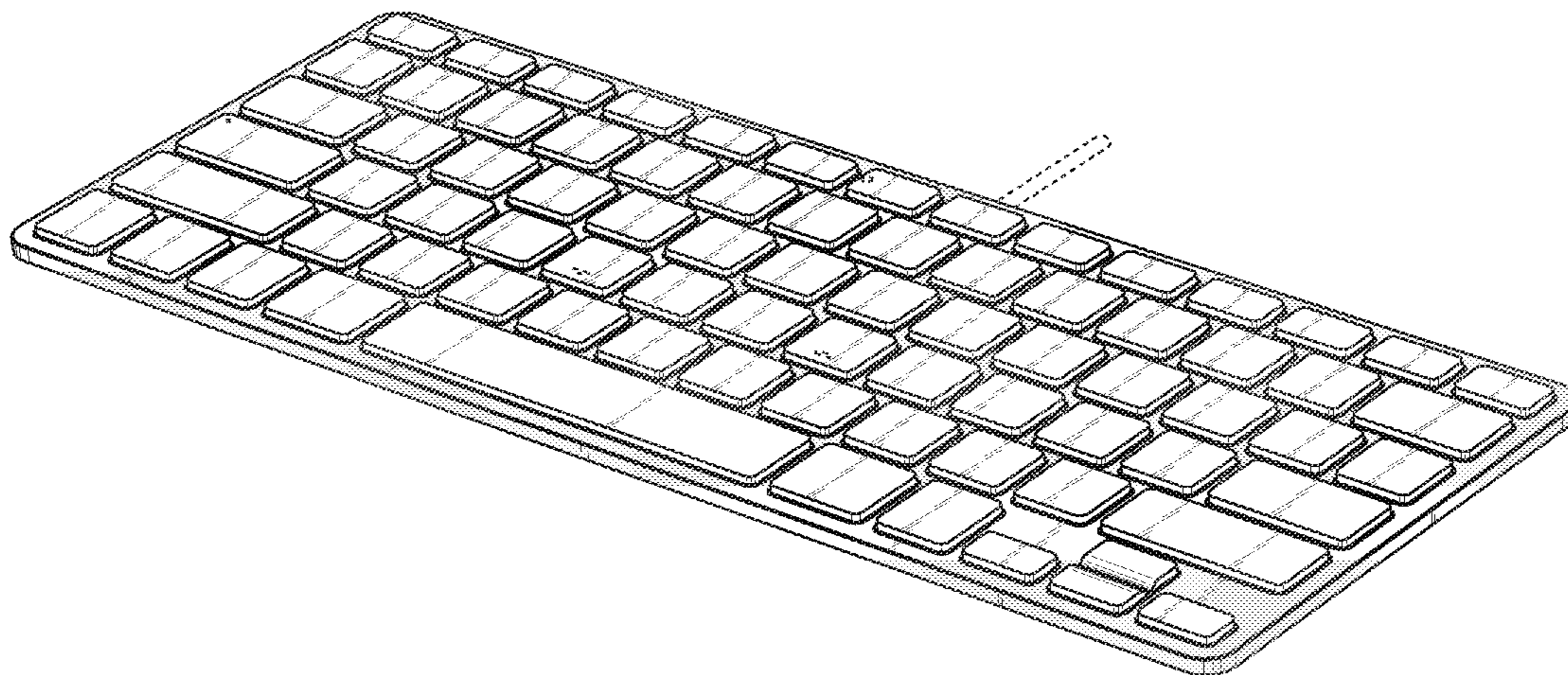
The ornamental design for a keyboard, as shown and described.

DESCRIPTION

FIG. 1 is a front, perspective view of a keyboard showing our new design;
FIG. 2 is a bottom view thereof;
FIG. 3 is a top view thereof;
FIG. 4 is a left side view thereof;
FIG. 5 is a right side view thereof;
FIG. 6 is a front view thereof;
FIG. 7 is a rear view thereof; and,
FIG. 8 is a rear perspective view thereof.

The portion of the keyboard shown in gray shading represents a metallic-looking surface. The broken line showing is for the purpose of illustrating environmental structure and forms no part of the claimed design.

1 Claim, 6 Drawing Sheets



US D616,886 S

Page 2

U.S. PATENT DOCUMENTS

D436,951 S * 1/2001 Andresen D14/336
D445,793 S * 7/2001 Ji D14/392
D446,520 S * 8/2001 Ji D14/392
D454,566 S * 3/2002 Andre et al. D14/396
D485,271 S * 1/2004 Kamegi D14/392
D543,544 S * 5/2007 Cheng D14/392
D556,758 S * 12/2007 Nguyen et al. D14/391
D558,753 S 1/2008 Andre et al.
D572,246 S 7/2008 Andre et al.

D574,378 S 8/2008 Andre et al.

OTHER PUBLICATIONS

Sony VAIO PCG-4G1L, available at least as early as May 8, 2006.
U.S. Appl. No. 29/321,731 entitled "Computing Device" filed Jul. 22, 2008, as amended Oct. 15, 2009.
U.S. Appl. No. 29/321,729 entitled "Computing Device" filed Jul. 22, 2008.

* cited by examiner

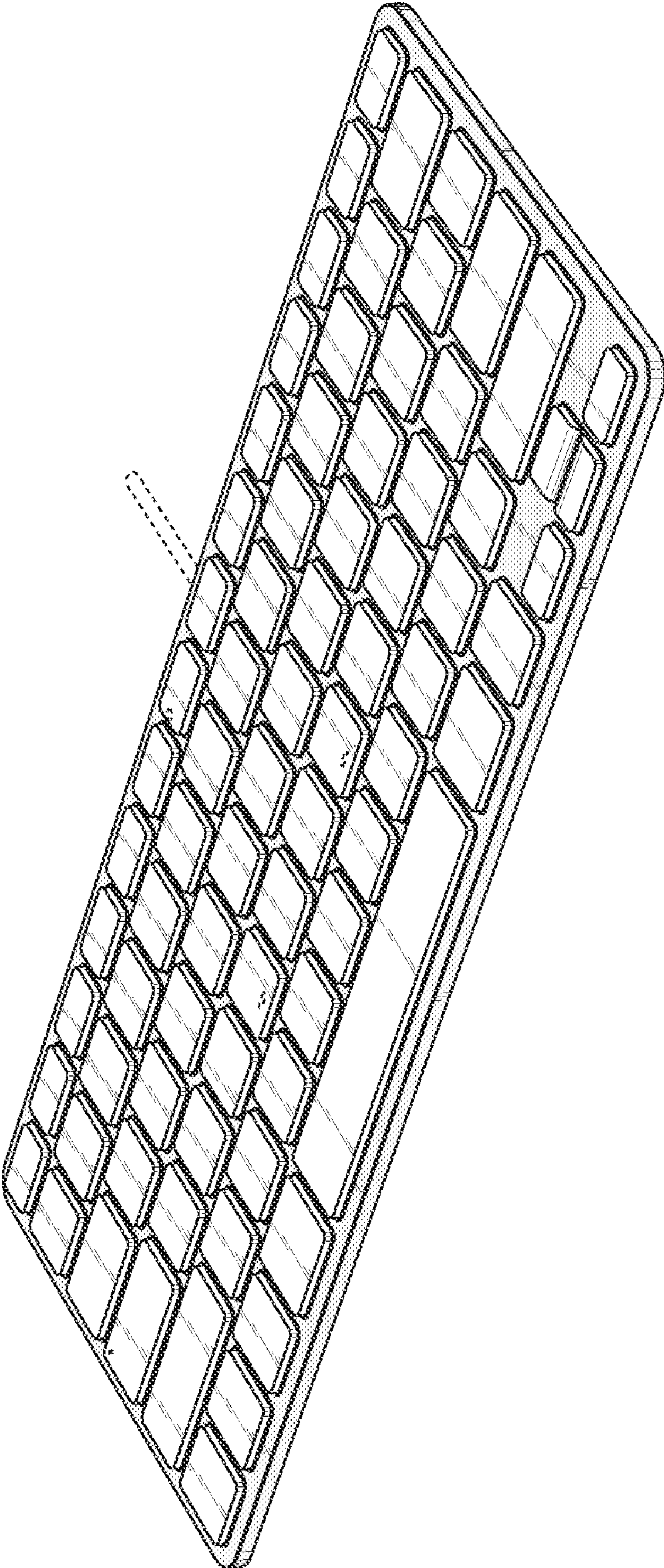


Fig. 1

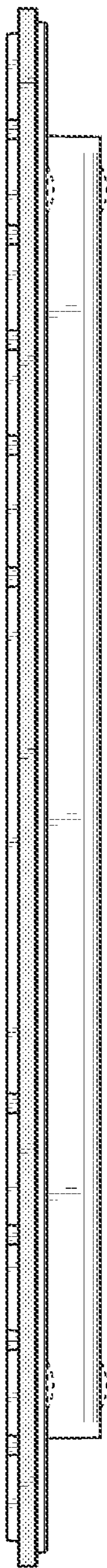


Fig. 2

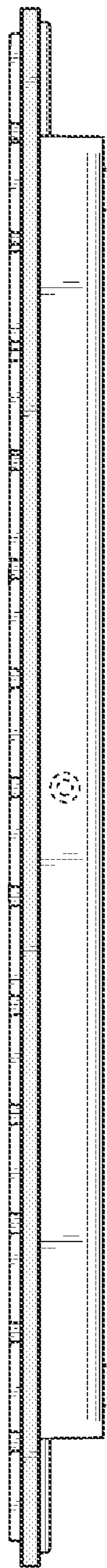


Fig. 3

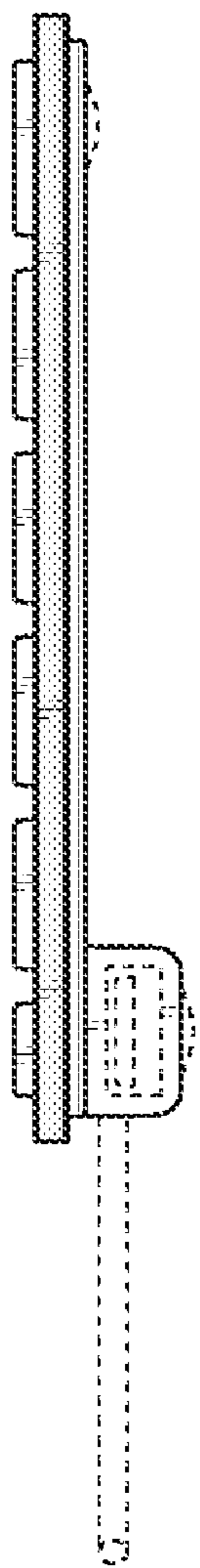


Fig. 4

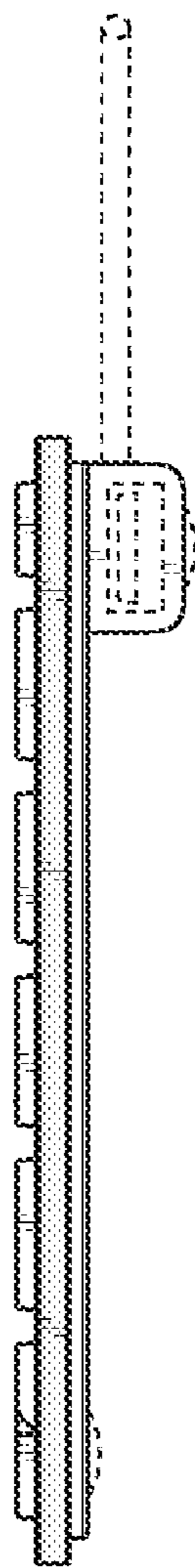


Fig. 5

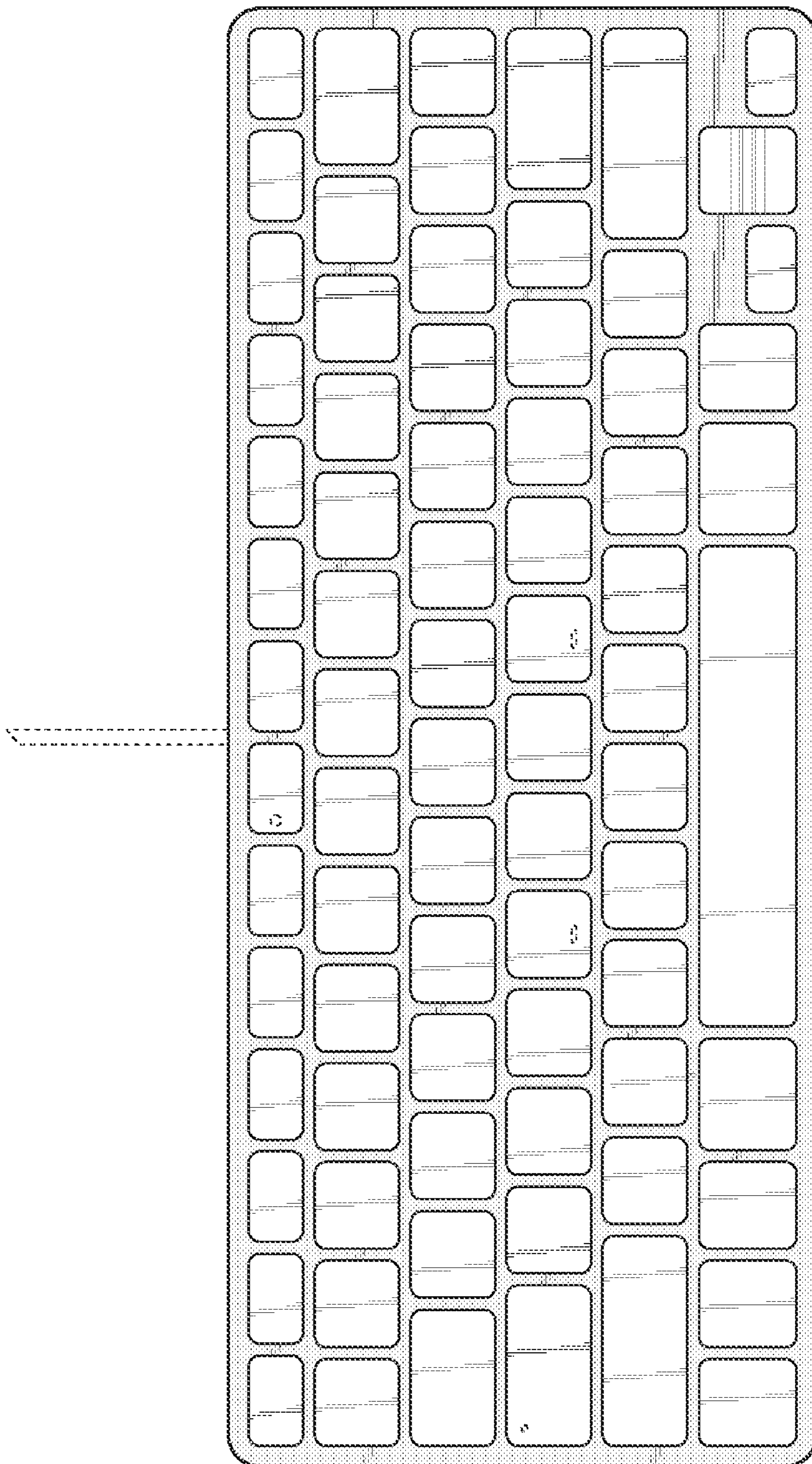


Fig. 6

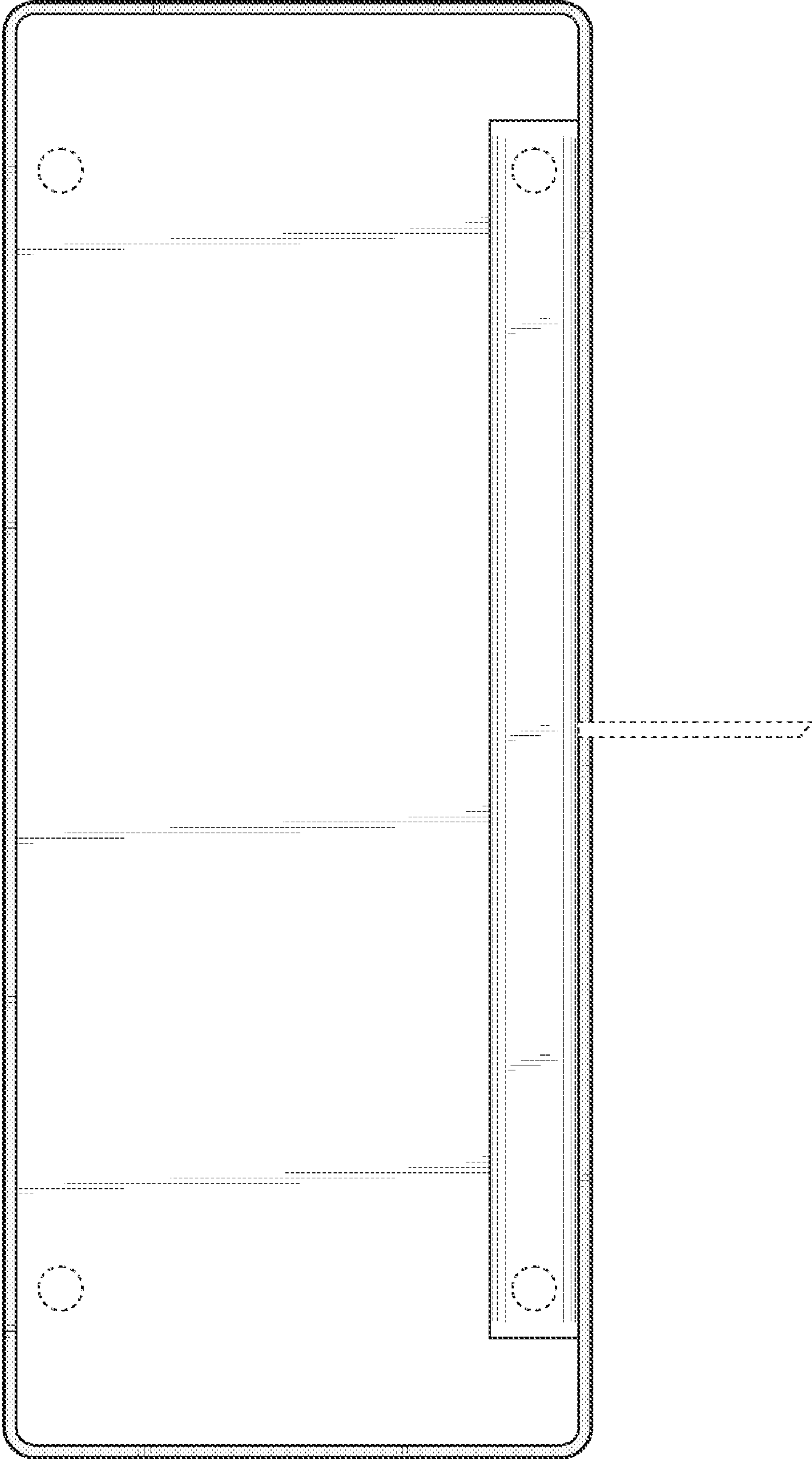


Fig. 7

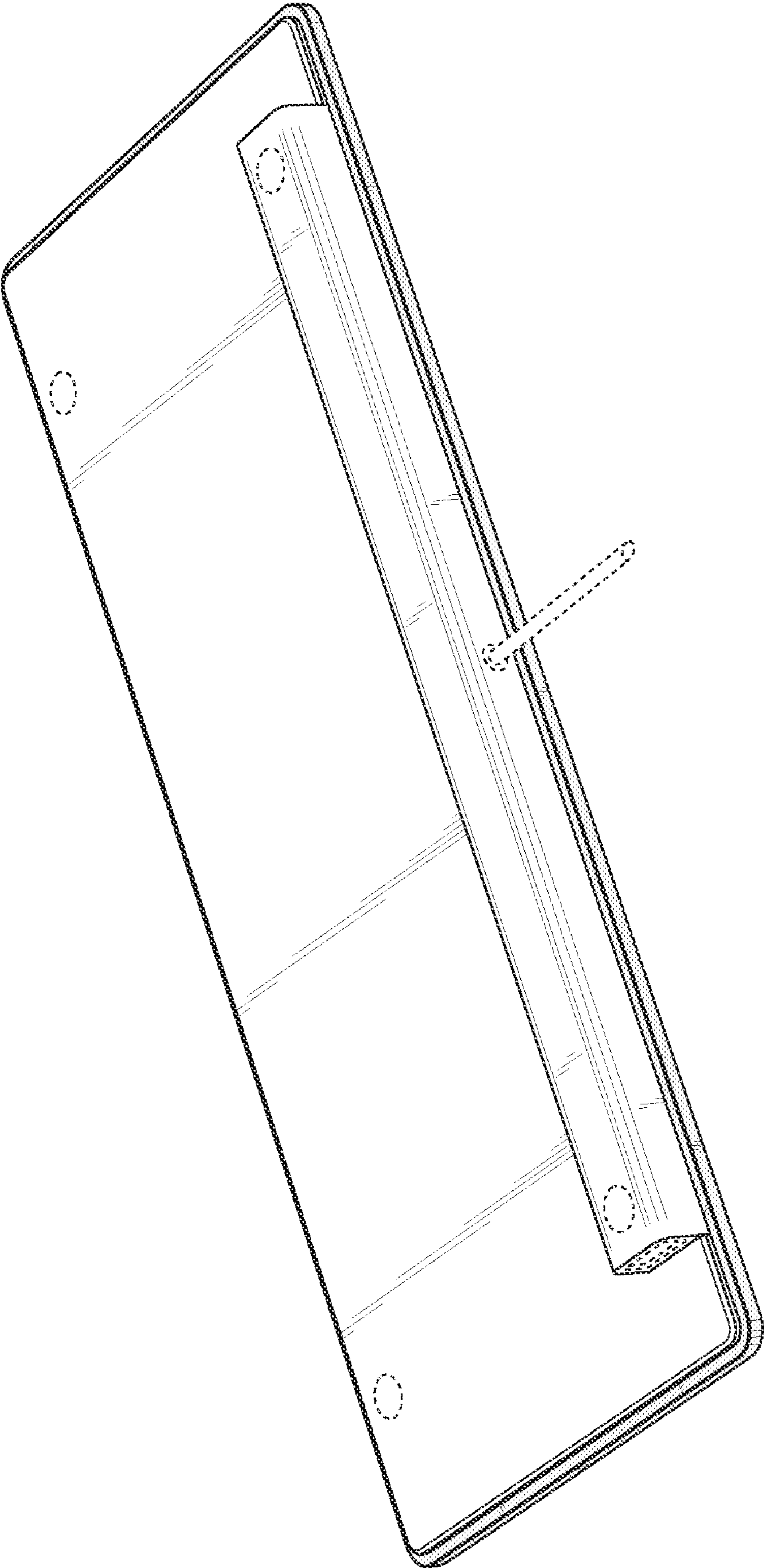


Fig. 8