



US00D616885S

(12) **United States Design Patent**  
**Chien**

(10) **Patent No.:** **US D616,885 S**

(45) **Date of Patent:** **\*\* Jun. 1, 2010**

(54) **DISPLAY**

(75) Inventor: **Chiao Hung Chien**, Taipei (TW)

(73) Assignee: **Hannspree, Inc.**, Taipei (TW)

(\*\*) Term: **14 Years**

(21) Appl. No.: **29/344,901**

(22) Filed: **Oct. 6, 2009**

(51) **LOC (9) Cl.** ..... **14-02**

(52) **U.S. Cl.** ..... **D14/374**

(58) **Field of Classification Search** ..... D14/371-376,  
D14/125-129; 345/104, 156, 168, 173, 87,  
345/1.1, 901-905; 341/12; 348/180, 184,  
348/325, 739; 349/1, 2, 11, 58; 248/917-924;  
361/679.23, 679.08

See application file for complete search history.

(56) **References Cited**

**U.S. PATENT DOCUMENTS**

6,381,125	B1 *	4/2002	Mizoguchi et al. ....	361/679.08
D494,174	S *	8/2004	Hsu Li .....	D14/374
6,807,051	B2 *	10/2004	Takahashi .....	361/679.23
D544,861	S *	6/2007	Hwang .....	D14/375
D556,757	S *	12/2007	Kim et al. ....	D14/375
D571,235	S *	6/2008	Stevens et al. ....	D10/65
D579,930	S *	11/2008	Maskatia .....	D14/341

D584,309	S *	1/2009	Kim et al. ....	D14/374
D591,290	S *	4/2009	Park et al. ....	D14/371
D592,664	S *	5/2009	Lee et al. ....	D14/375
D595,295	S *	6/2009	Shim .....	D14/374
D596,173	S *	7/2009	Arfin .....	D14/307

\* cited by examiner

*Primary Examiner*—Freda S Nunn

(74) *Attorney, Agent, or Firm*—Schmeiser, Olsen & Watts LLP

(57) **CLAIM**

The ornamental design for a display, as shown and described.

**DESCRIPTION**

FIG. 1 is a front perspective view of display showing my new design;

FIG. 2 is a front elevational view thereof;

FIG. 3 is a rear elevational view thereof;

FIG. 4 is a left side elevational view thereof;

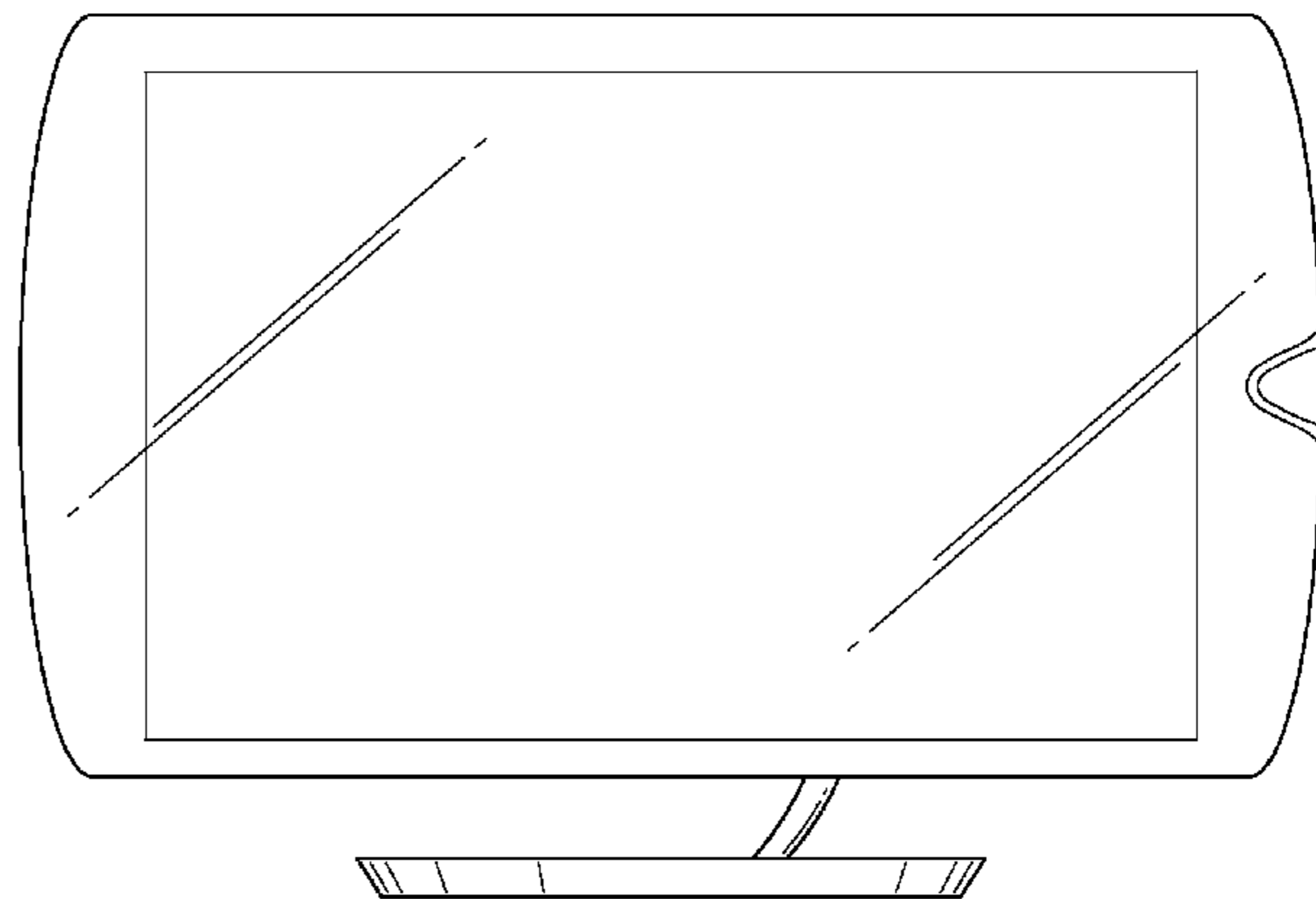
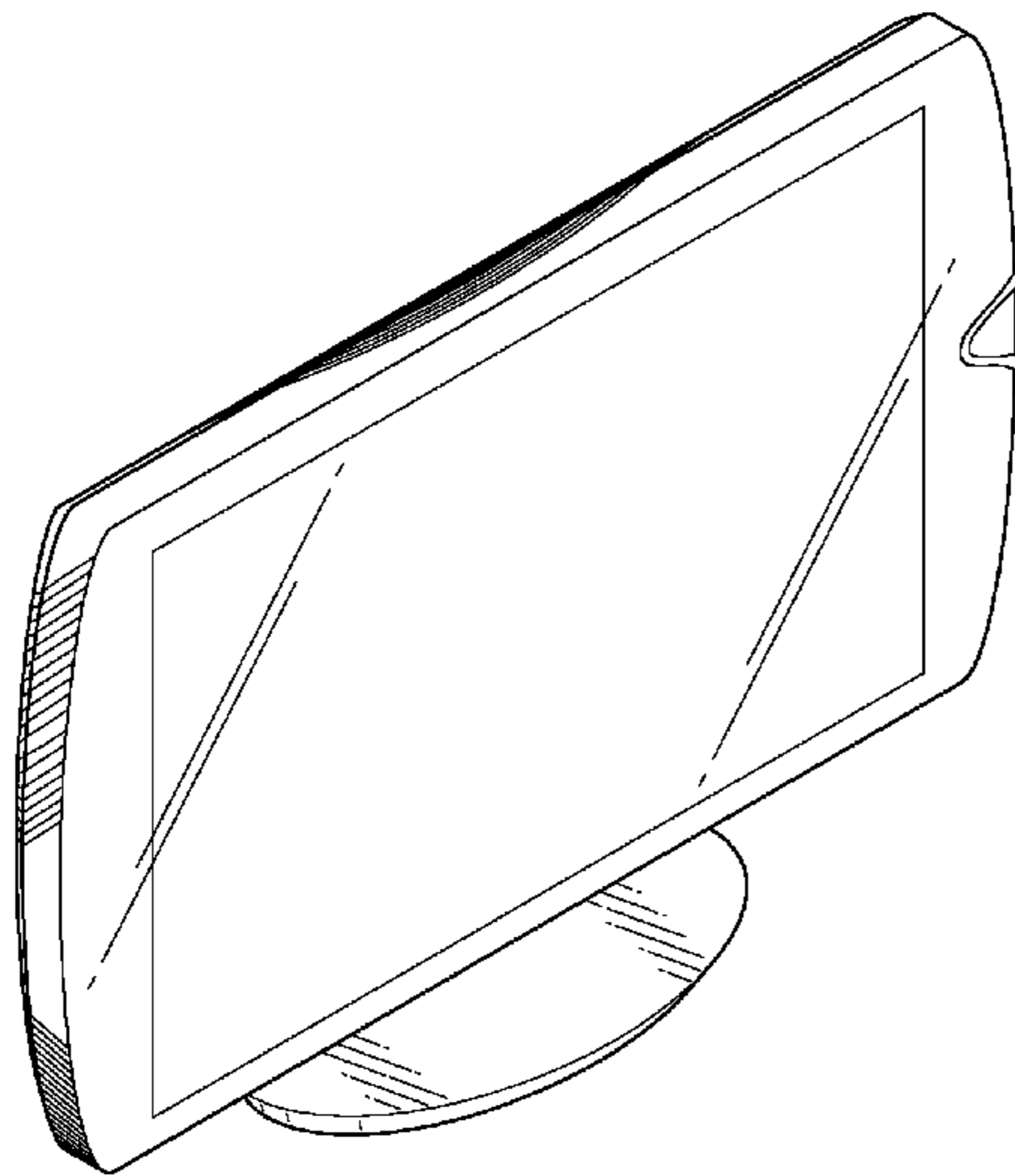
FIG. 5 is a right side elevational view thereof;

FIG. 6 is a top plan view thereof;

FIG. 7 is a bottom plan view thereof; and,

FIG. 8 is a rear perspective view of display showing my new design.

**1 Claim, 4 Drawing Sheets**



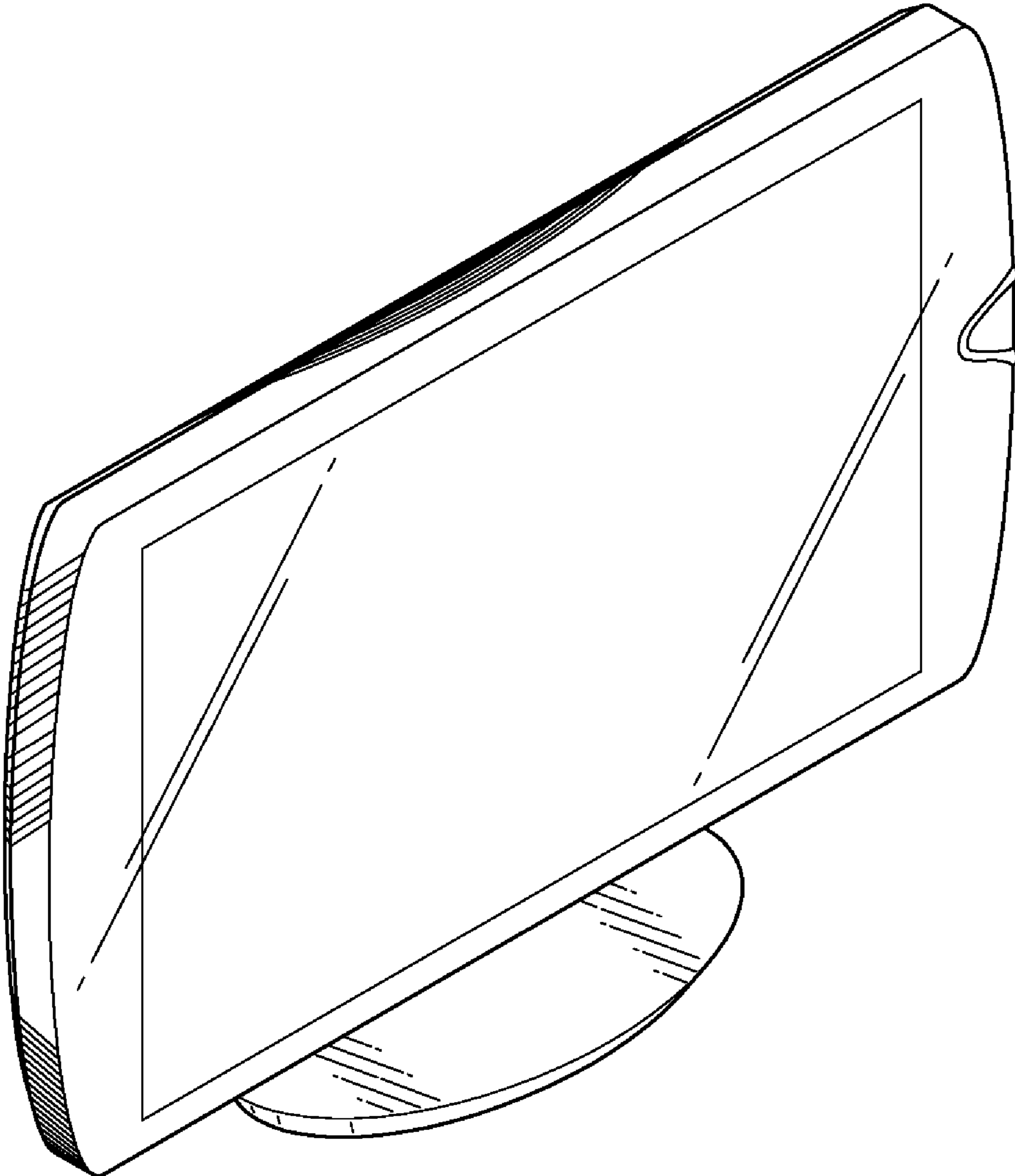


FIG.1

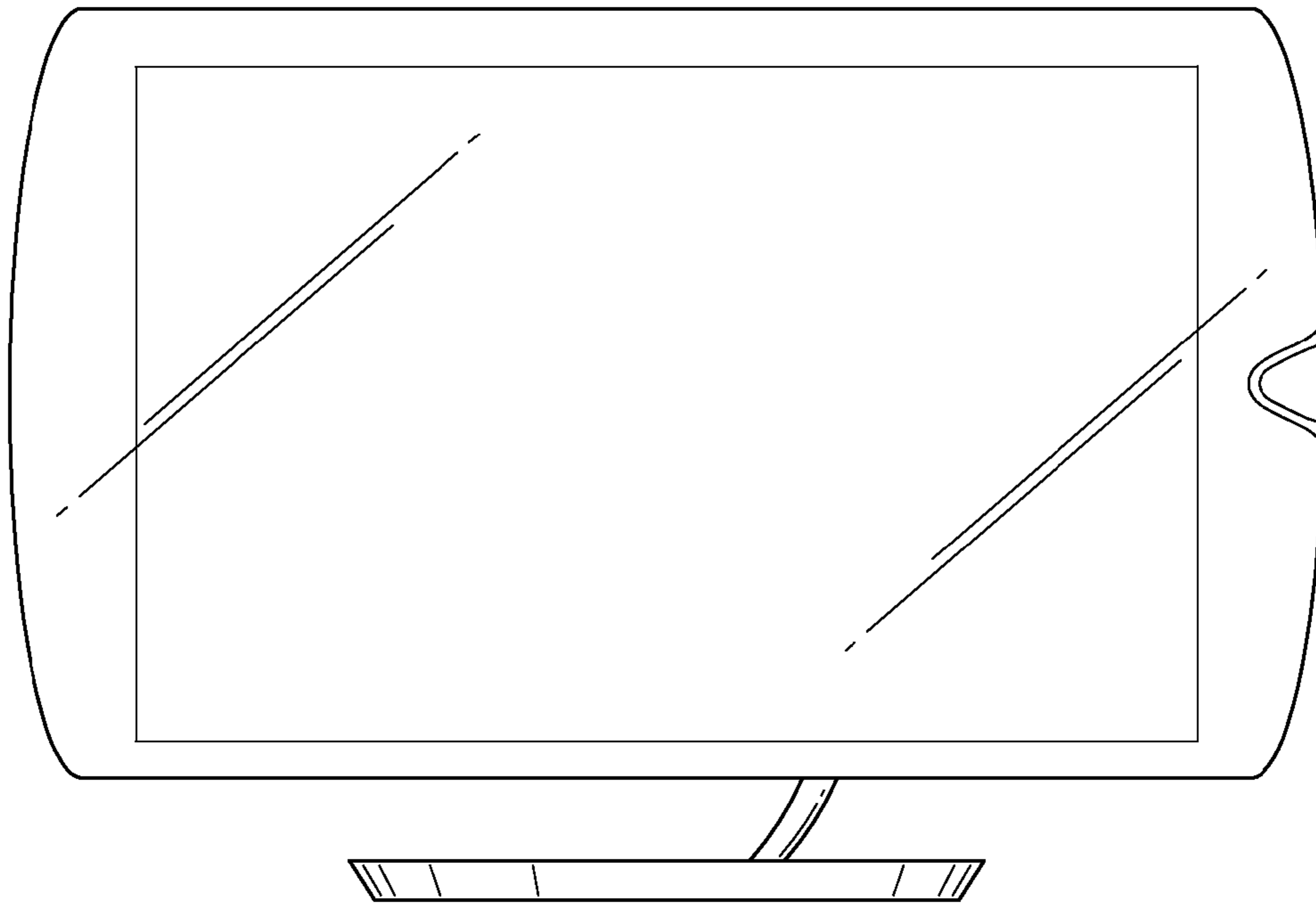


FIG. 2

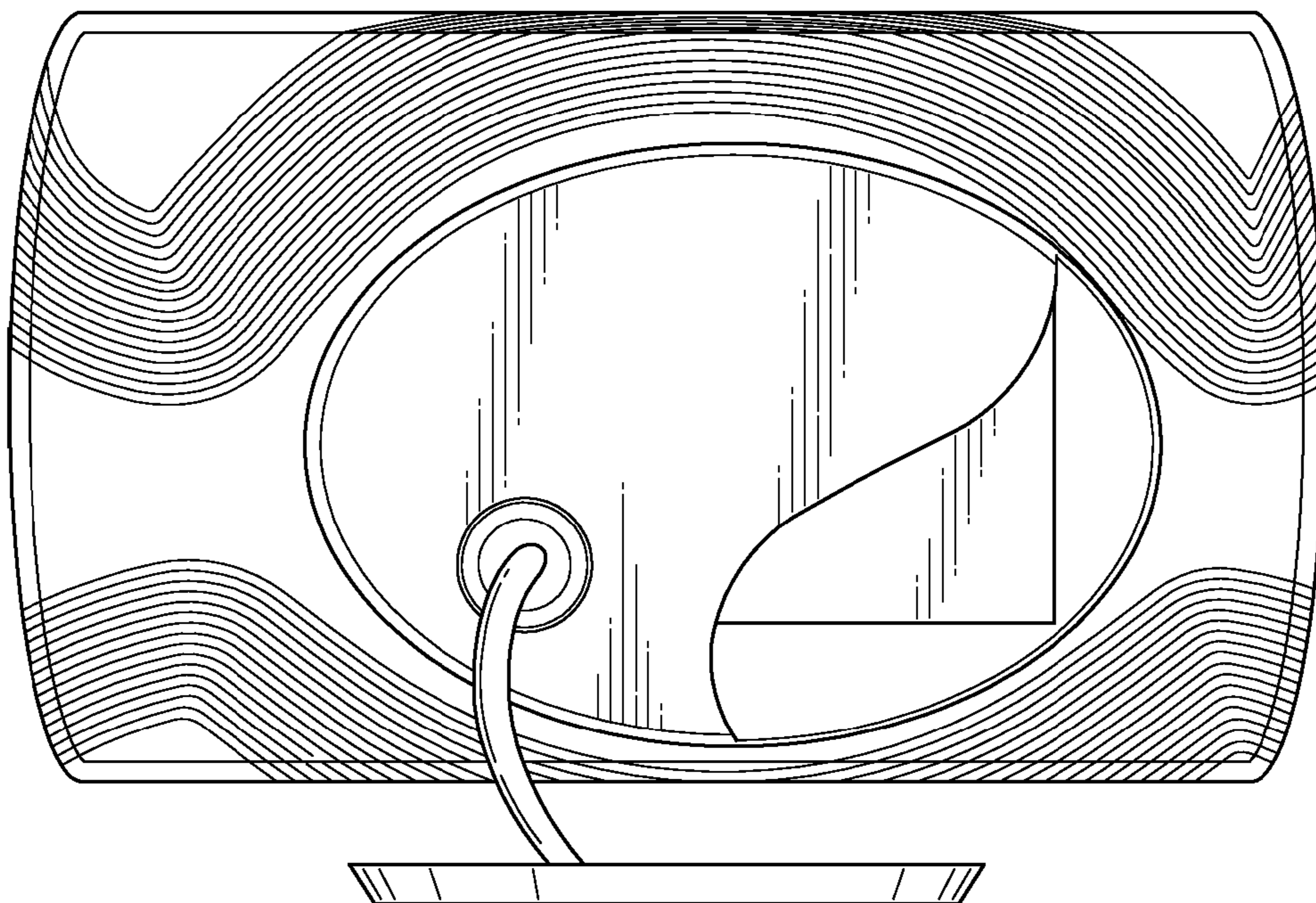


FIG. 3

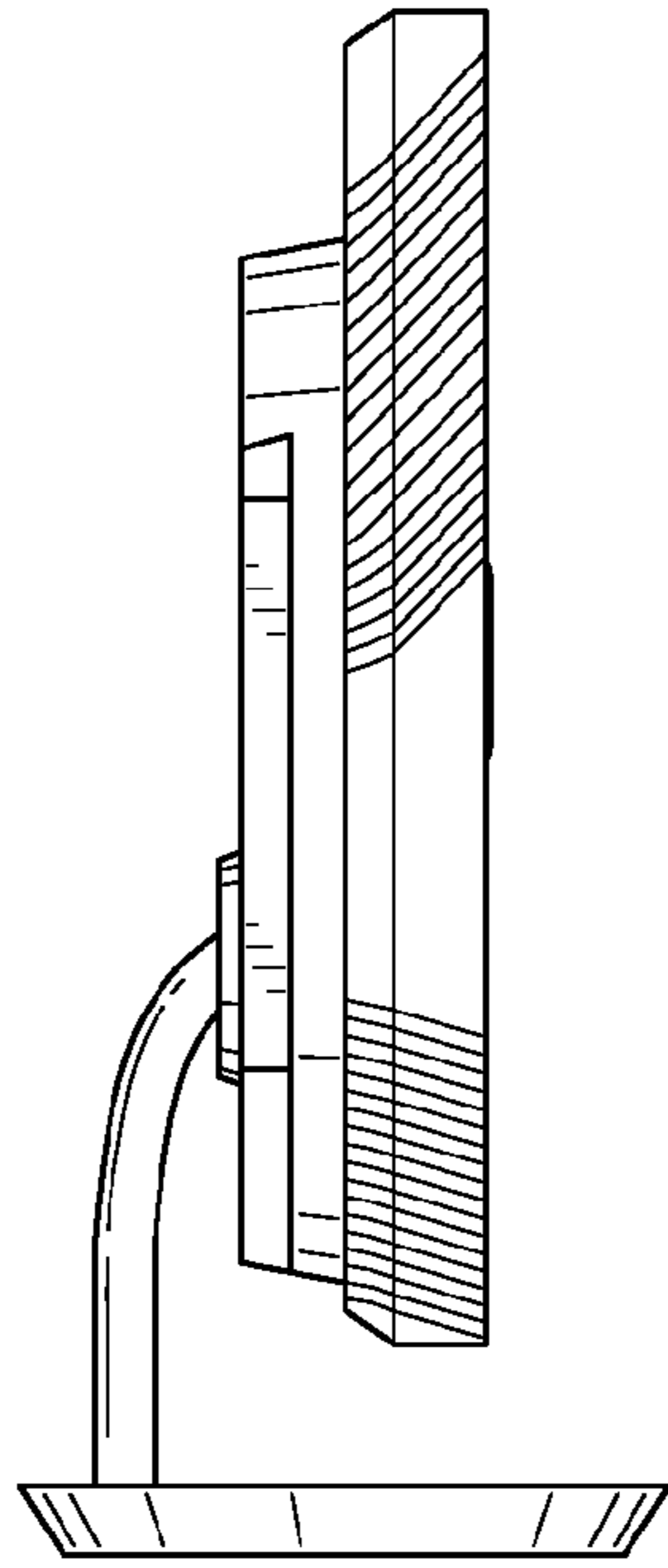


FIG. 4

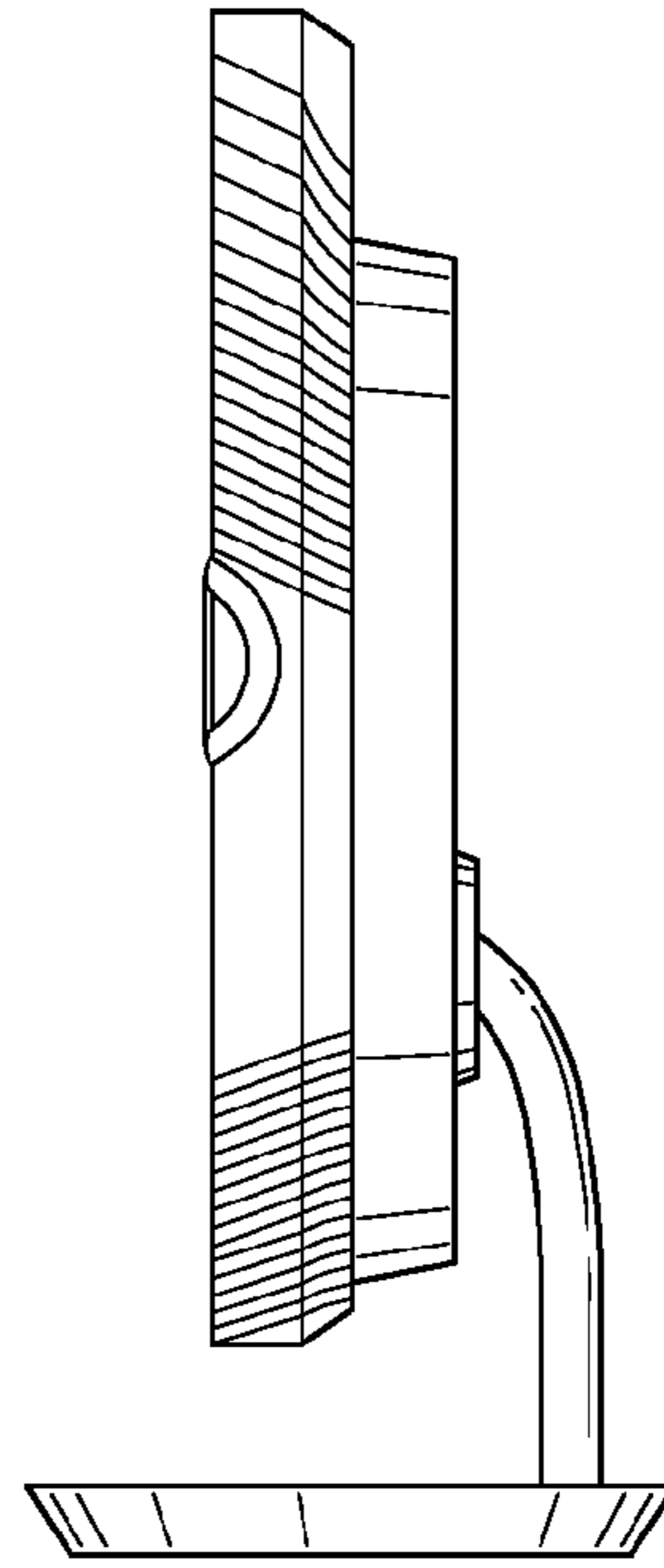


FIG. 5

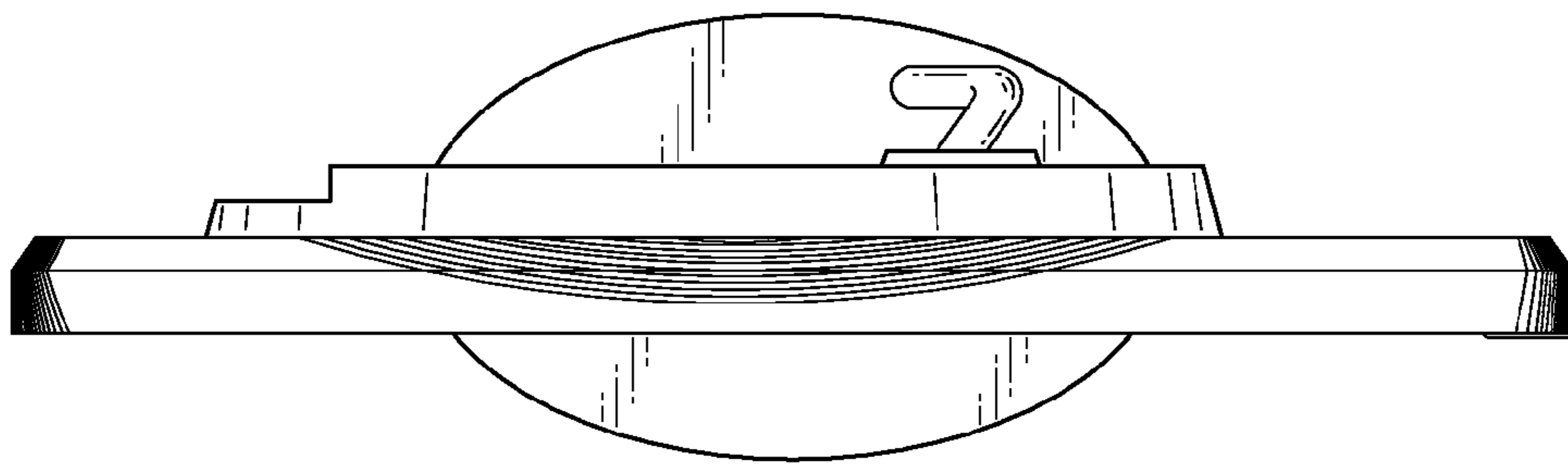


FIG. 6

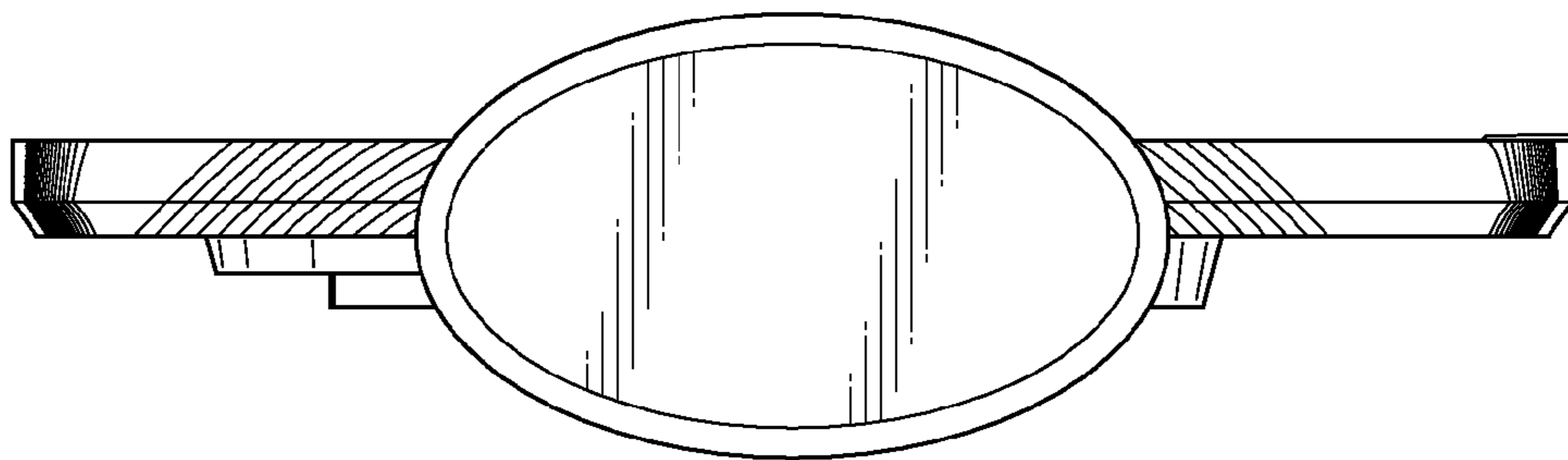


FIG. 7



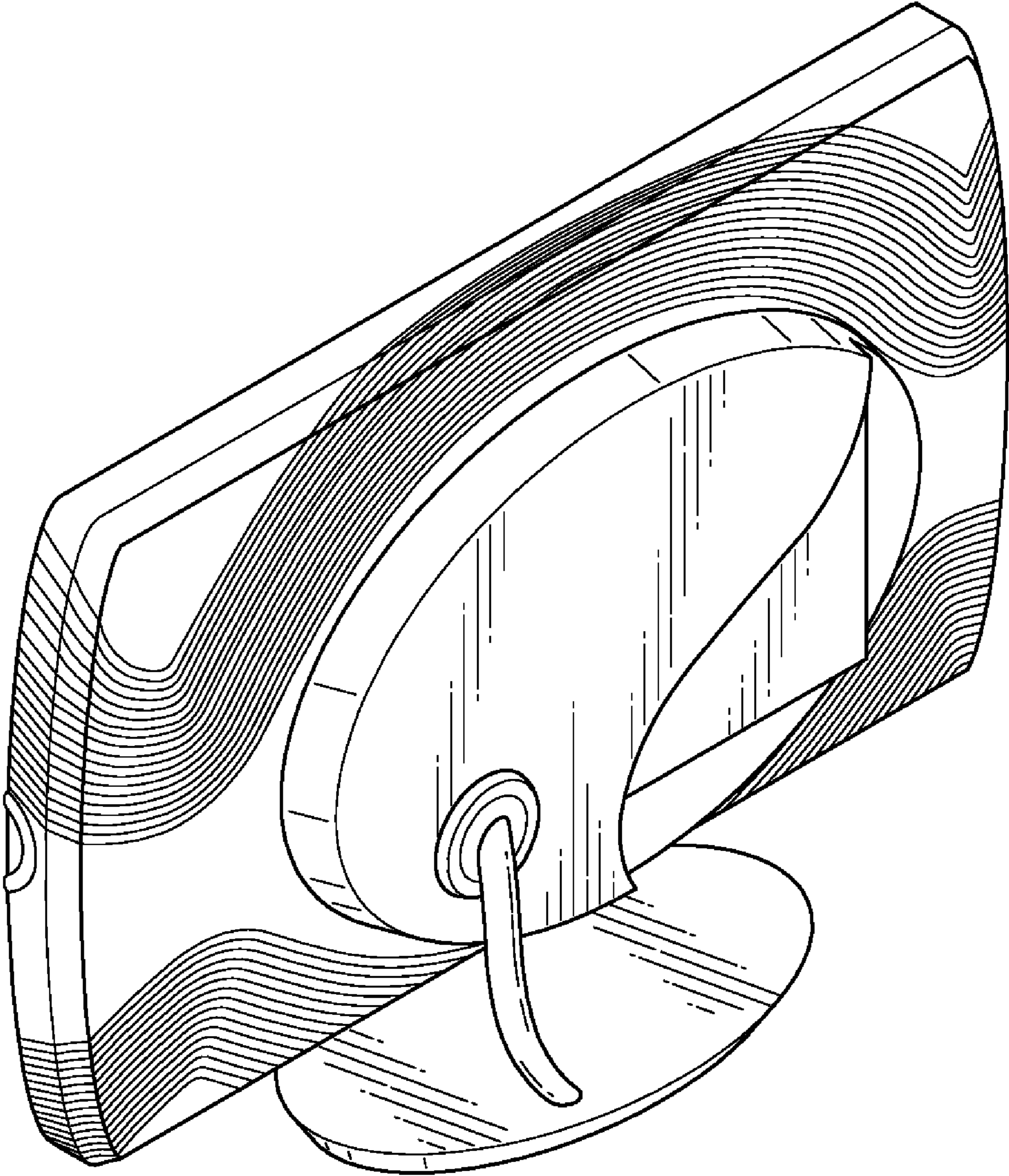


FIG.8