



US00D616883S

(12) **United States Design Patent**
Denhez et al.

(10) **Patent No.:** **US D616,883 S**
(45) **Date of Patent:** **** Jun. 1, 2010**

(54) **INFORMATION HANDLING SYSTEM HOUSING**

(75) Inventors: **Nicolas Denhez**, Austin, TX (US); **Hugh D. Brogan**, Douglas (IM); **Paul N. Stead**, Surrey (GB); **Nigel P. Newby-House**, London (GB); **George H. Hines**, Berkhamsted (GB)

(73) Assignee: **Dell Products L.P.**, Round Rock, TX (US)

(**) Term: **14 Years**

(21) Appl. No.: **29/350,745**

(22) Filed: **Nov. 23, 2009**

(51) **LOC (9) Cl.** **14-02**

(52) **U.S. Cl.** **D14/318**

(58) **Field of Classification Search** D14/315-327;
D18/1, 2, 7, 11; 235/145 A, 145 R; 341/22,
341/23; 345/104, 156, 168, 169, 173; 361/679.08,
361/679.09, 679.11, 679.26, 679.27

See application file for complete search history.

(56) **References Cited**

U.S. PATENT DOCUMENTS

5,900,848	A *	5/1999	Haneda et al.	345/1.1
D416,238	S *	11/1999	Irie et al.	D14/318
6,067,224	A *	5/2000	Nobuchi	361/679.27
6,351,372	B1 *	2/2002	Kim	361/679.15
D463,797	S *	10/2002	Andre et al.	D14/327
6,657,854	B2 *	12/2003	Horii et al.	361/679.09
D491,177	S *	6/2004	Andre et al.	D14/318
6,744,623	B2 *	6/2004	Numano et al.	361/679.27
D502,943	S *	3/2005	Ma et al.	D14/318
D504,128	S *	4/2005	Maskatia	D14/318
D523,010	S *	6/2006	Paek et al.	D14/327
D523,429	S *	6/2006	Lin	D14/318
D535,292	S *	1/2007	Shi et al.	D14/315

D564,511	S *	3/2008	Akhtar	D14/318
7,639,479	B2 *	12/2009	Chuang et al.	361/679.06
2005/0018396	A1 *	1/2005	Nakajima et al.	361/683
2005/0041378	A1 *	2/2005	Hamada et al.	361/680

* cited by examiner

Primary Examiner—Freda S Nunn

(74) *Attorney, Agent, or Firm*—Hamilton & Terrile, LLP; Robert W. Holland

(57) **CLAIM**

We claim the ornamental design for an information handling system housing, as shown and described.

DESCRIPTION

FIG. 1 is a front perspective view of the information handling system housing comprising the present invention in a closed position;

FIG. 2 is a front view thereof;

FIG. 3 is a right side view thereof;

FIG. 4 is a left side view thereof;

FIG. 5 is a back view thereof;

FIG. 6 is a top view thereof;

FIG. 7 is a bottom view thereof;

FIG. 8 is a front perspective view thereof in an open position;

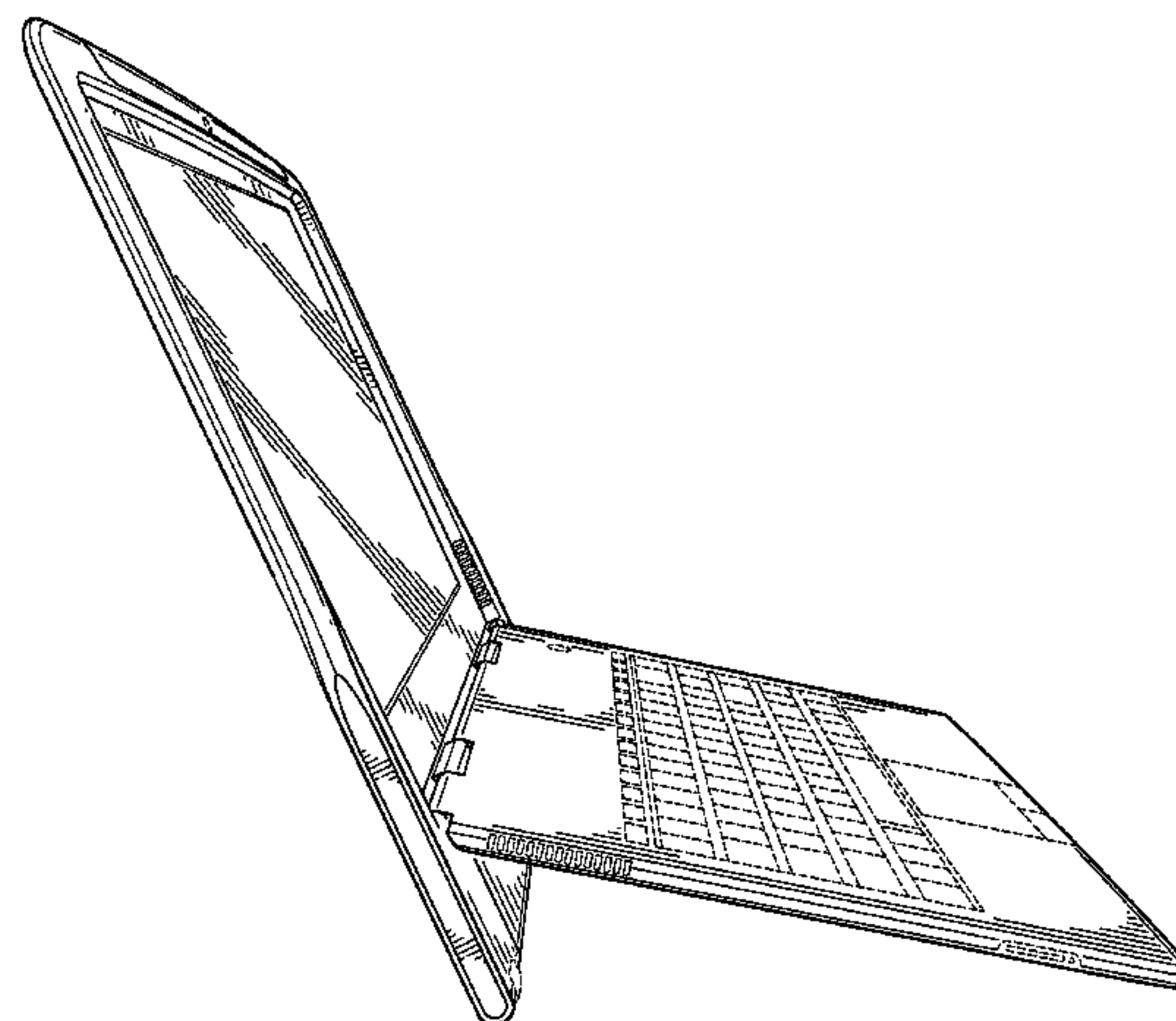
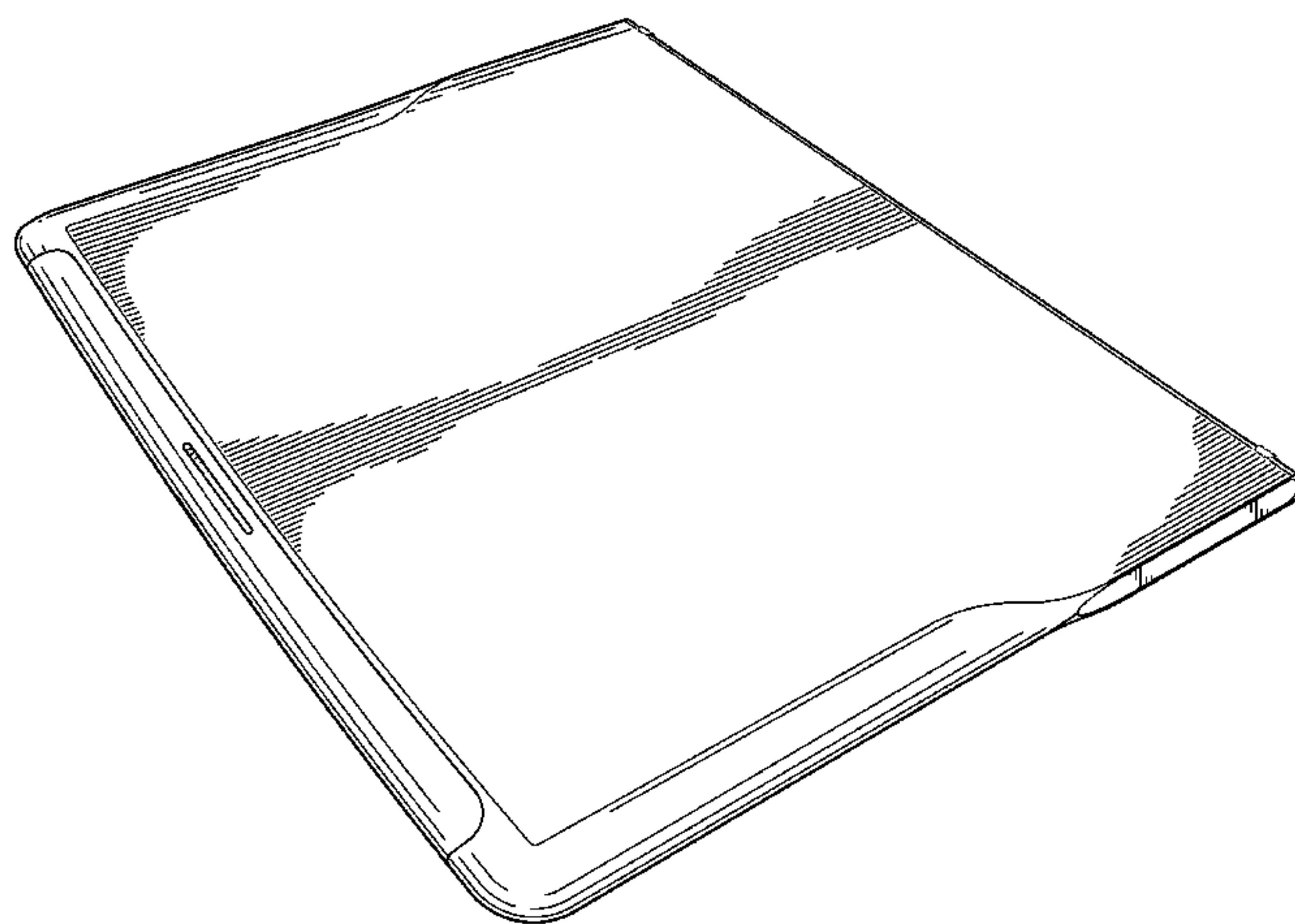
FIG. 9 is a right side view thereof in a partially opened position;

FIG. 10 is a right side view thereof in a substantially half opened position; and,

FIG. 11 is a right side view thereof in an opened position.

Broken lines shown in the drawings illustrate portions of the information handling system housing, and form no part of the claimed design.

1 Claim, 7 Drawing Sheets



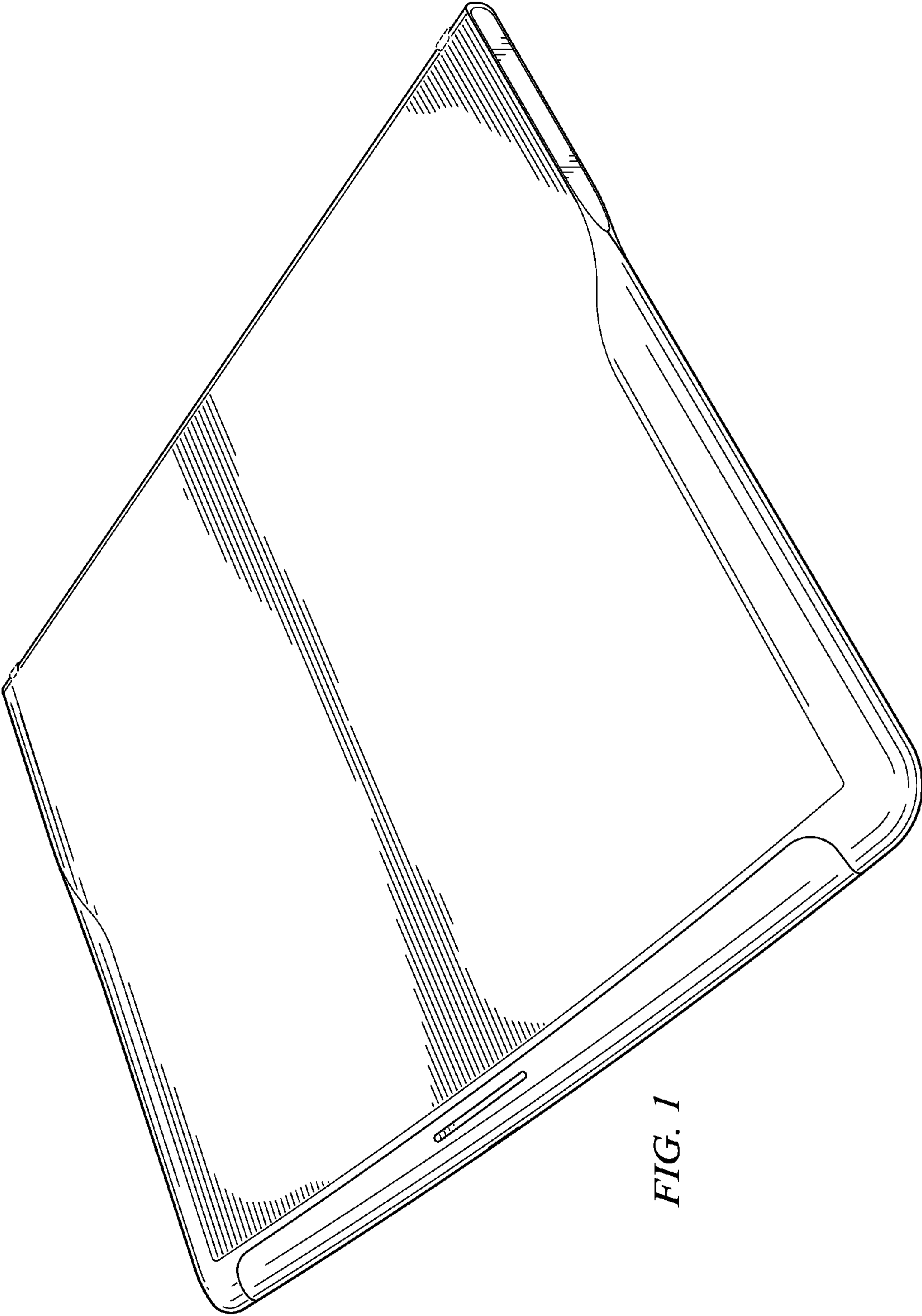


FIG. 1

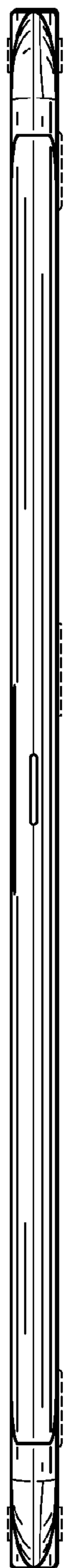


FIG. 2

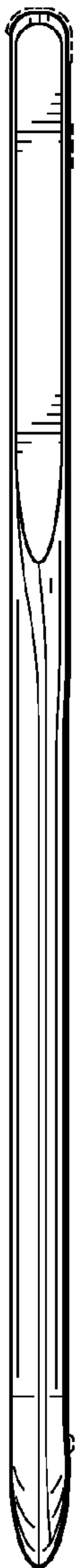


FIG. 3

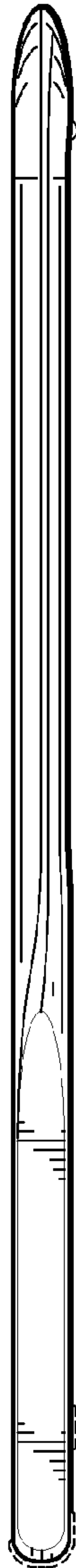


FIG. 4



FIG. 5

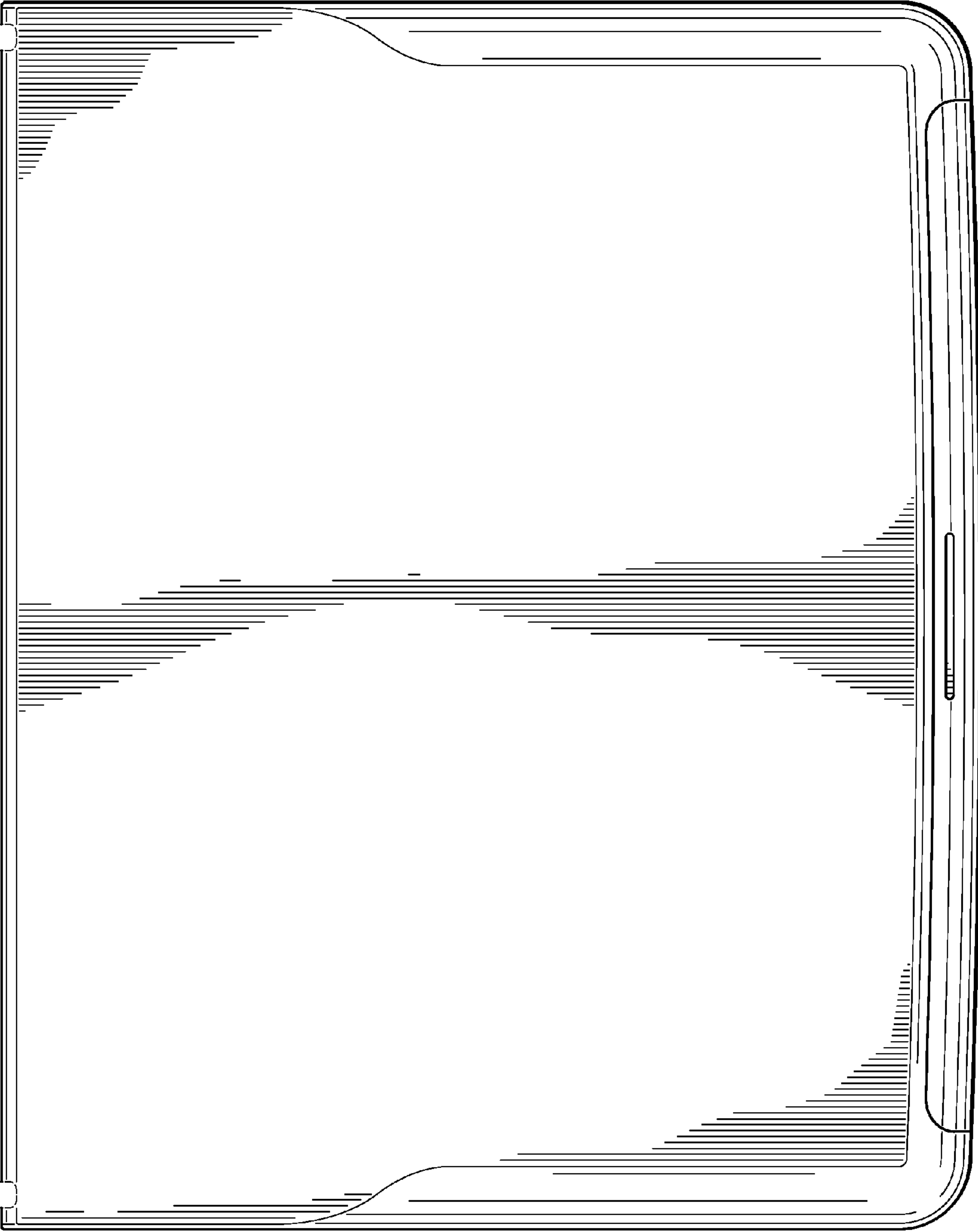


FIG. 6

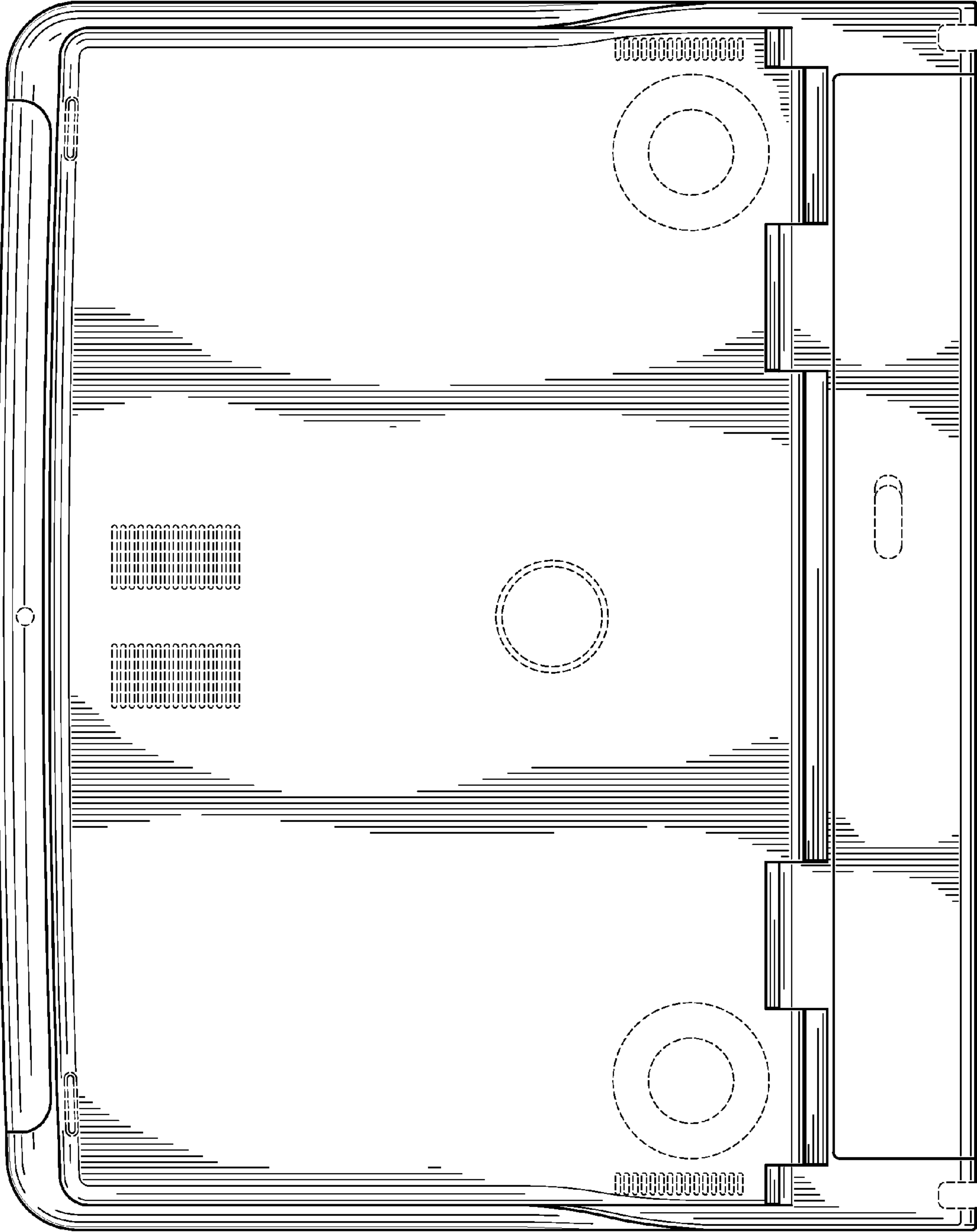


FIG. 7

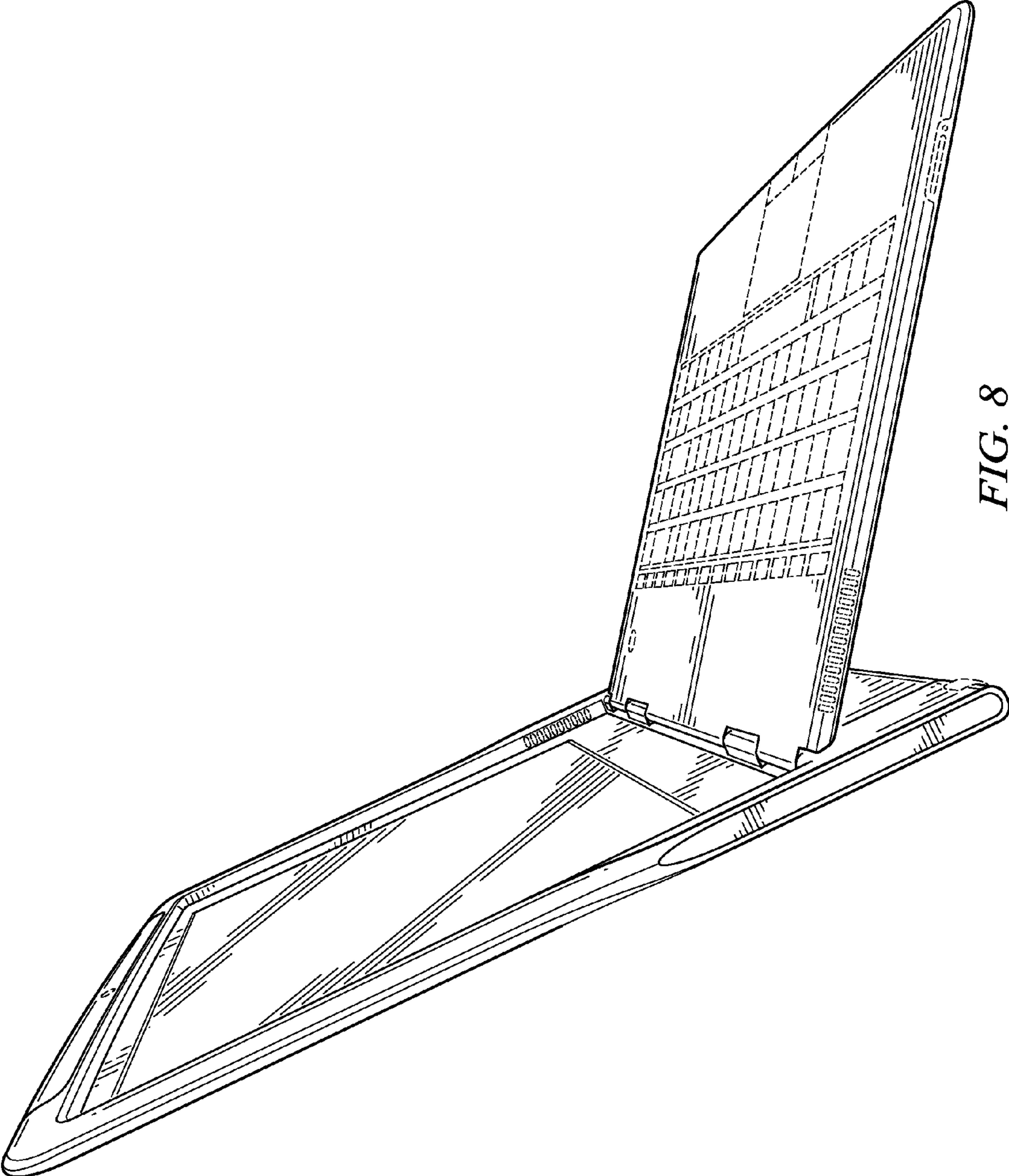


FIG. 8

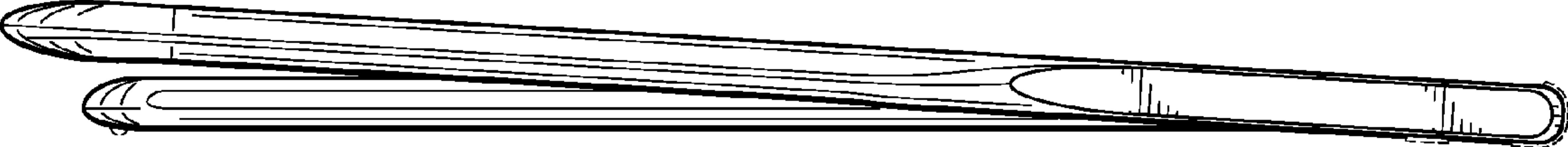


FIG. 9

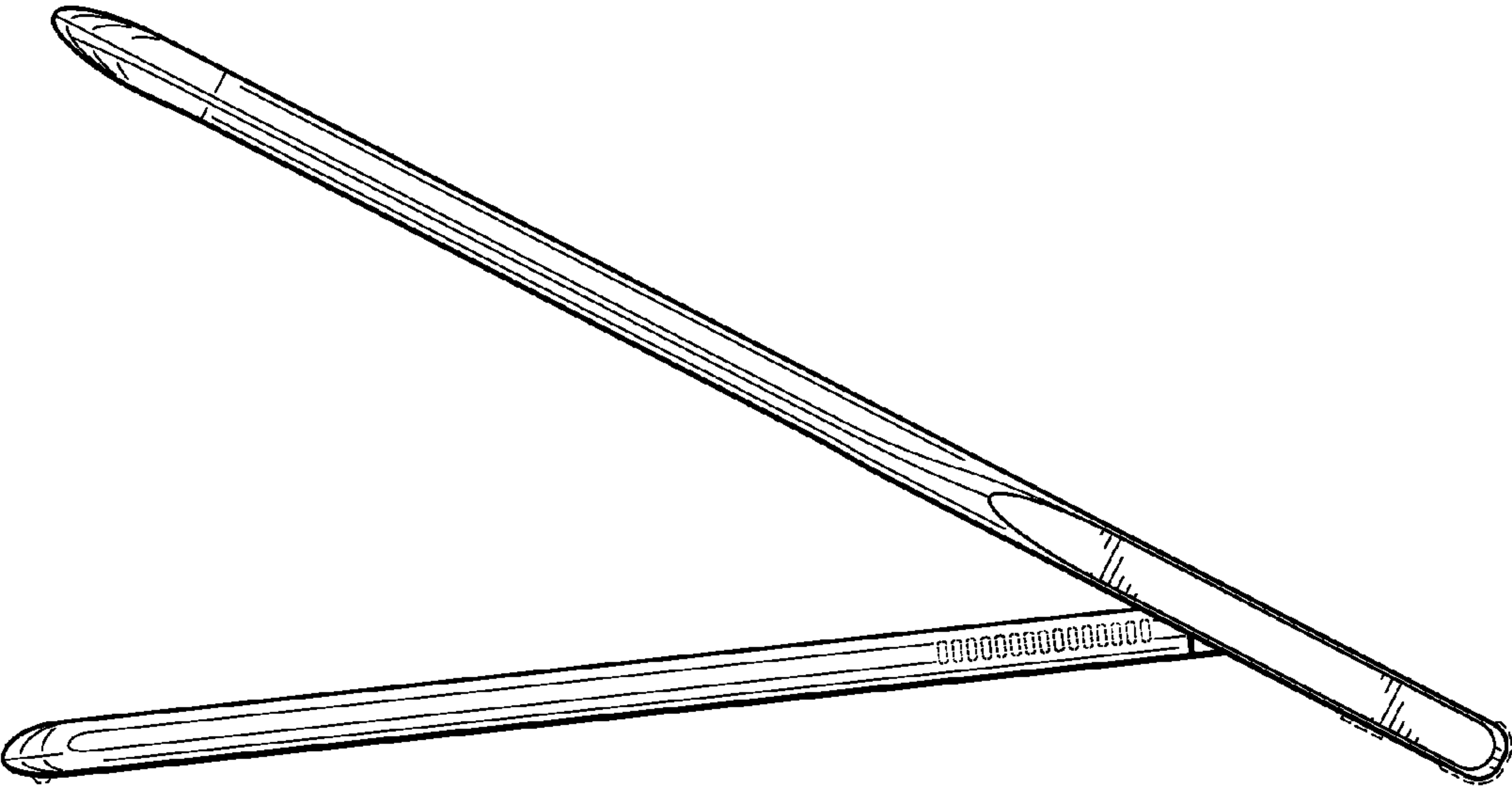


FIG. 10

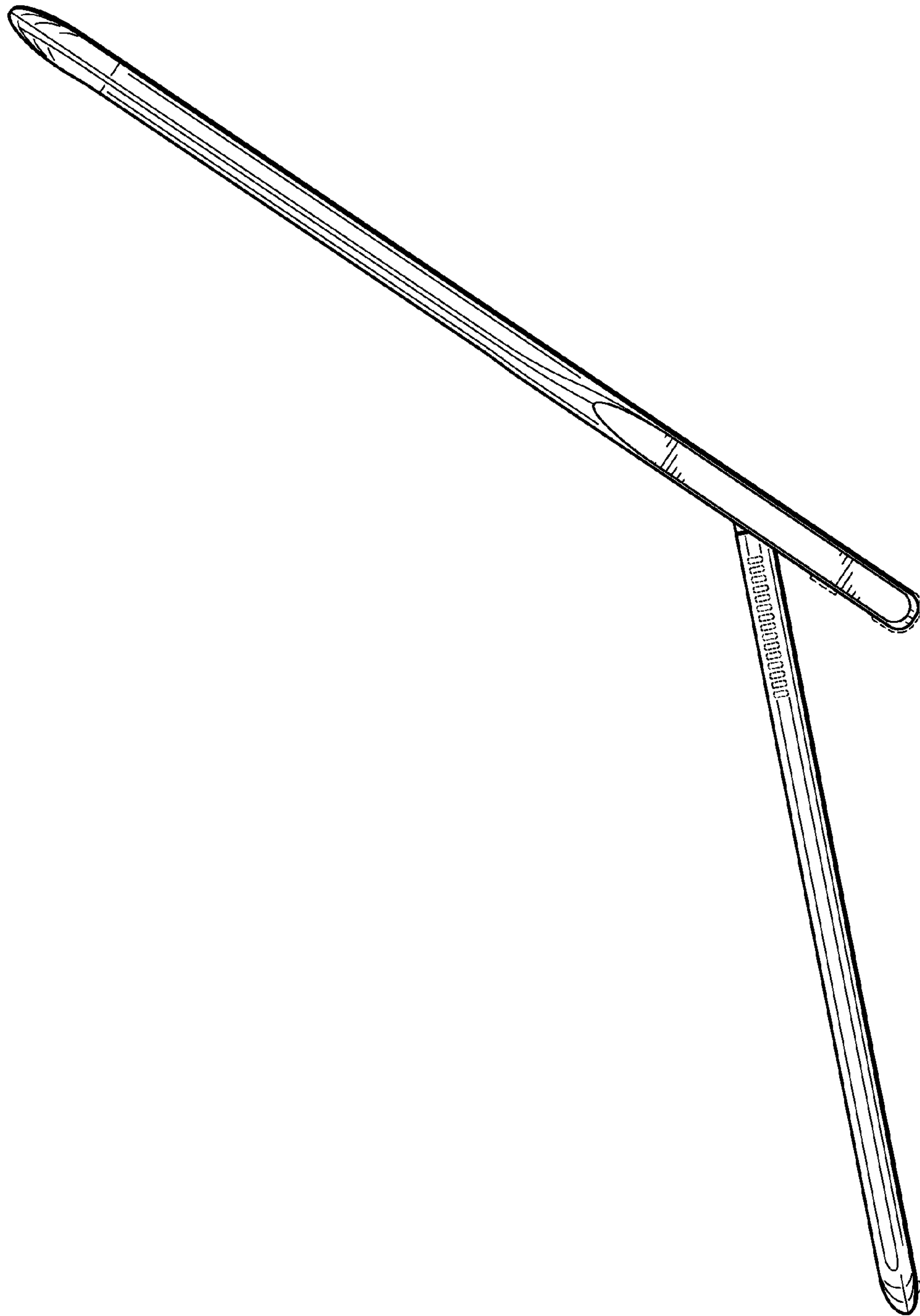


FIG. 11