



US00D616877S

(12) **United States Design Patent**
Kaneta

(10) **Patent No.:** **US D616,877 S**
(45) **Date of Patent:** **** Jun. 1, 2010**

(54) **MOBILE PHONE**

D482,029 S 11/2003 Yoneda
D487,109 S * 2/2004 Suzuki D18/50

(75) Inventor: **Naoe Kaneta**, Tokyo (JP)

(Continued)

(73) Assignee: **Sony Ericsson Mobile Communications Japan Inc.**, Tokyo (JP)

FOREIGN PATENT DOCUMENTS

JP D1237571 S 4/2005

(Continued)

(**) Term: **14 Years**

OTHER PUBLICATIONS

(21) Appl. No.: **29/334,060**

Office Action of Design Patent Application No. D2007-029762 mailed on Apr. 7, 2008 (Japan).

(22) Filed: **Mar. 19, 2009**

(Continued)

Related U.S. Application Data

(62) Division of application No. 29/300,694, filed on Apr. 28, 2008, now Pat. No. Des. 596,630.

Primary Examiner—Jeffrey D Asch
Assistant Examiner—Bridget L Eland
(74) *Attorney, Agent, or Firm*—Rader, Fishman & Grauer, PLLC

(30) **Foreign Application Priority Data**

Oct. 29, 2007 (JP) D2007-029762
Oct. 29, 2007 (JP) D2007-029763
Oct. 29, 2007 (JP) D2007-029764
Oct. 29, 2007 (JP) D2007-029765

(57) **CLAIM**

The ornamental design for a mobile phone, as shown and described.

(51) **LOC (9) Cl.** **14-03**

(52) **U.S. Cl.** **D14/247**

(58) **Field of Classification Search** D14/247–248, D14/138 R, 138 AD, 138 AC, 138 C, 138 G, D14/191, 203.1–203.8, 496, 144, 244, 432, D14/439, 455, 456, 138 AA, 138 AB, 137, D14/147, 218, 341–347; D10/65, 78, 104; D13/168; D18/7; 455/566, 575.1, 575.3; 345/169

See application file for complete search history.

DESCRIPTION

FIG. 1 is a perspective view of a mobile phone showing my new design;
FIG. 2 is a front elevational view thereof;
FIG. 3 is a left side elevational view thereof;
FIG. 4 is a right side elevational view thereof;
FIG. 5 is a top plan view thereof;
FIG. 6 is a bottom plan view thereof;
FIG. 7 is a perspective view thereof, in the open position;
FIG. 8 is a front elevational view thereof; and,
FIG. 9 is an enlarged perspective view of the claimed portion of the mobile phone shown in FIGS. 1–9.

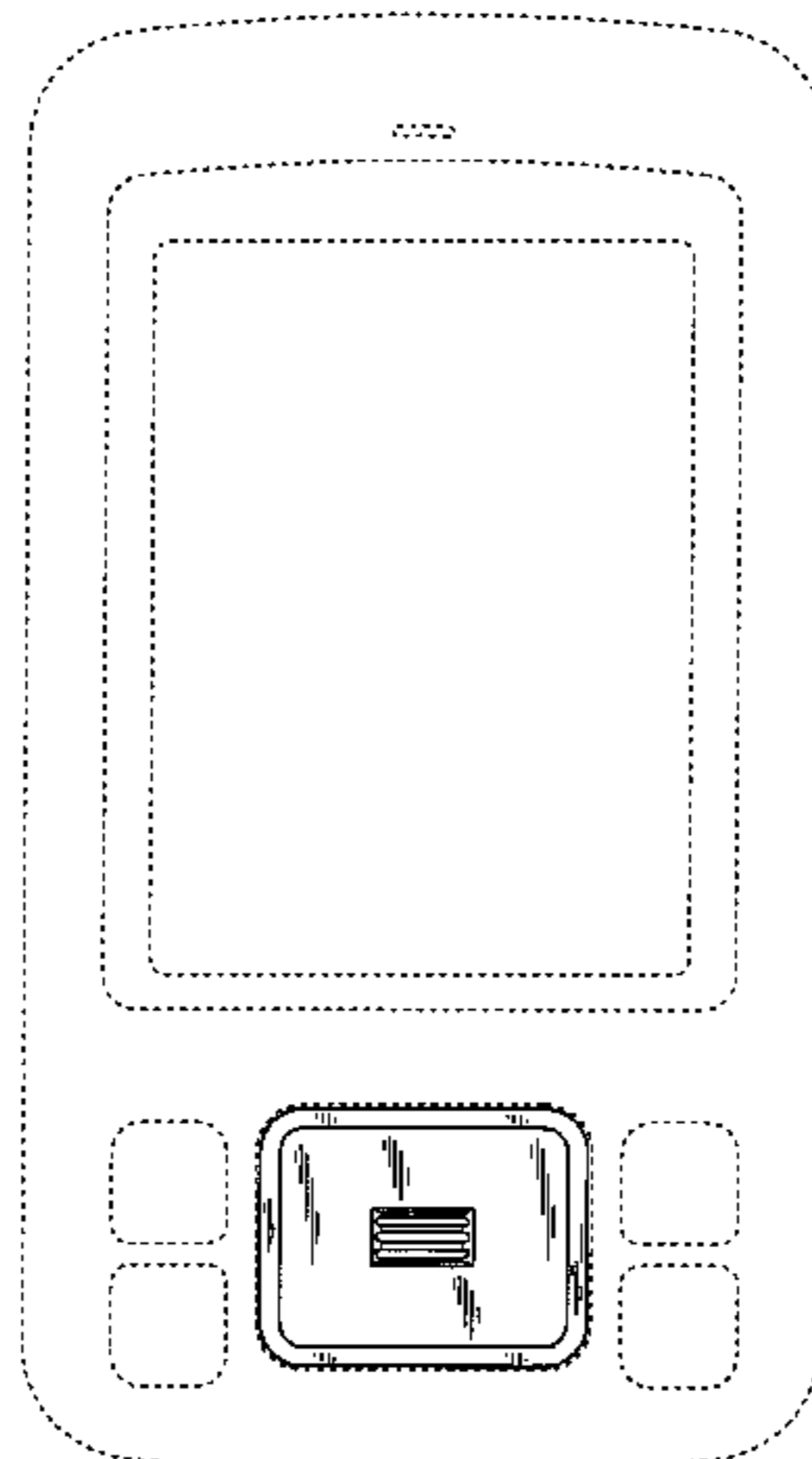
The broken lines showing the remainder of the mobile phone are directed to environment and are for illustrative purposes only; the broken lines form no part of the claimed design.

(56) **References Cited**

U.S. PATENT DOCUMENTS

D421,611 S 3/2000 Nuovo
D424,060 S 5/2000 Baker et al.
D430,558 S 9/2000 Shindo
D458,915 S 6/2002 Shintani
D473,564 S 4/2003 Yano
D477,317 S 7/2003 Ogasawara

1 Claim, 9 Drawing Sheets



U.S. PATENT DOCUMENTS

6,727,891 B2 4/2004 Moriya et al.
D502,700 S 3/2005 Takuma
D502,701 S 3/2005 Takuma
D509,500 S 9/2005 Watanabe et al.
D516,565 S 3/2006 O'Neil et al.
D518,812 S * 4/2006 Kim et al. D14/138 AB
D519,486 S 4/2006 Lee et al.
D524,280 S 7/2006 Julian
D524,802 S * 7/2006 Burns et al. D14/247
D525,226 S 7/2006 Jang
D528,526 S 9/2006 Shin
D530,297 S 10/2006 Moon et al.
D535,638 S 1/2007 Tanaka et al.
D542,260 S * 5/2007 Lee D14/138 AA
D542,285 S 5/2007 O'Neil et al.
D543,186 S * 5/2007 Kim et al. D14/138 AA
D543,526 S * 5/2007 Jung et al. D14/138 AB
D548,213 S 8/2007 Lee et al.
D548,710 S 8/2007 Lee et al.
D548,718 S 8/2007 Davis
D554,101 S 10/2007 Hu
D555,141 S * 11/2007 Ho D14/138 AA
D555,621 S 11/2007 Seo
D556,170 S * 11/2007 Lee et al. D14/138 AA
D556,171 S * 11/2007 Lee et al. D14/138 AA
D558,789 S * 1/2008 Yu et al. D14/496
D559,825 S 1/2008 Park et al.
D560,038 S 1/2008 VanErmen
D562,282 S * 2/2008 Suk et al. D14/138 AA
D563,378 S * 3/2008 Tseng et al. D14/138 AA
D565,007 S 3/2008 Nara
D565,533 S 4/2008 Kim et al.
D565,555 S 4/2008 Goto
D569,832 S * 5/2008 Lee et al. D14/138 AB
D573,574 S * 7/2008 Suk et al. D14/138 AB
7,405,722 B2 * 7/2008 Takeuchi 345/156
D576,130 S 9/2008 Kim et al.
D576,600 S 9/2008 Kim et al.
D576,993 S 9/2008 Park et al.
D578,092 S * 10/2008 Lee D14/138 AB
D578,499 S * 10/2008 Park et al. D14/138 AB

D579,438 S 10/2008 Kim et al.
D583,343 S * 12/2008 Lee et al. D14/138 AA
D584,267 S * 1/2009 Kim et al. D14/138 AB
7,509,152 B2 * 3/2009 Higginson 455/575.1
2001/0004584 A1 6/2001 Aquilar et al.
2002/0086698 A1 7/2002 Sawada et al.
2002/0142795 A1 * 10/2002 Imahori et al. 455/550
2004/0198460 A1 10/2004 Sakuta et al.
2005/0181846 A1 * 8/2005 Taneya et al. 455/575.3
2007/0072659 A1 3/2007 Ryu
2007/0271529 A1 11/2007 Kim et al.
2007/0298849 A1 12/2007 Kang et al.
2008/0032637 A1 2/2008 Ladouceur et al.

FOREIGN PATENT DOCUMENTS

JP D1271358 S 5/2006
JP D1294481 S 2/2007
TW D117551 6/2007

OTHER PUBLICATIONS

Office Action of Design Patent Application No. D2007-029763 mailed on Apr. 7, 2008 (Japan).
Office Action of Design Patent Application No. D2007-029764 mailed on Apr. 7, 2008 (Japan).
Office Action of Design Patent Application No. D2007-029765 mailed on Apr. 7, 2008 (Japan).
Patent Office Prior Art No. HJ18026024, "W51S/au/Sony Ericsson", <http://www.sonyericsson.co.jp/product/au/w51s/color.html>, Japan (Mar. 17, 2007).
Patent Office Prior Art No. HH19312500, US-D548710-S (Aug. 14, 2007).
Patent Office Prior Art No. HB1 7010682, "Stereo Review's Sound & Vision vol. 8", p. 69, Japan.
Sony Ericsson W900, announced Oct. 2005, [online], [retrieved on Feb. 16, 2007]. Retrieved from Internet, URL: <http://www.gsmarena.com>.
Samsung Z550, announced Mar. 2006, [online], [retrieved on Feb. 8, 2007]. Retrieved from Internet, <URL: <http://www.gsmarena.com>>.
Office Action of Design Patent Application No. 097302356 mailed on Feb. 4, 2009 (Taiwan).

* cited by examiner

FIG. 1

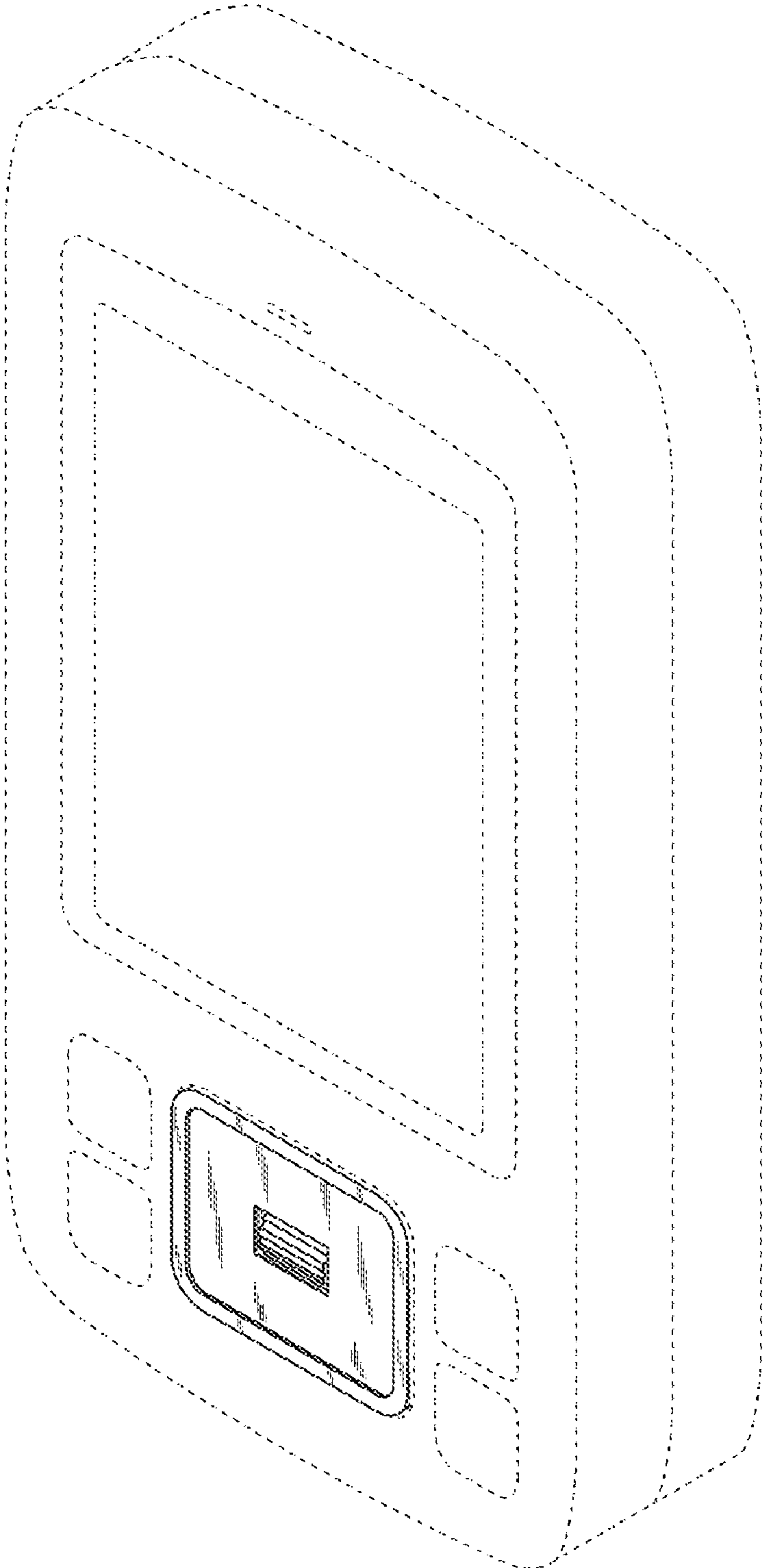


FIG.2

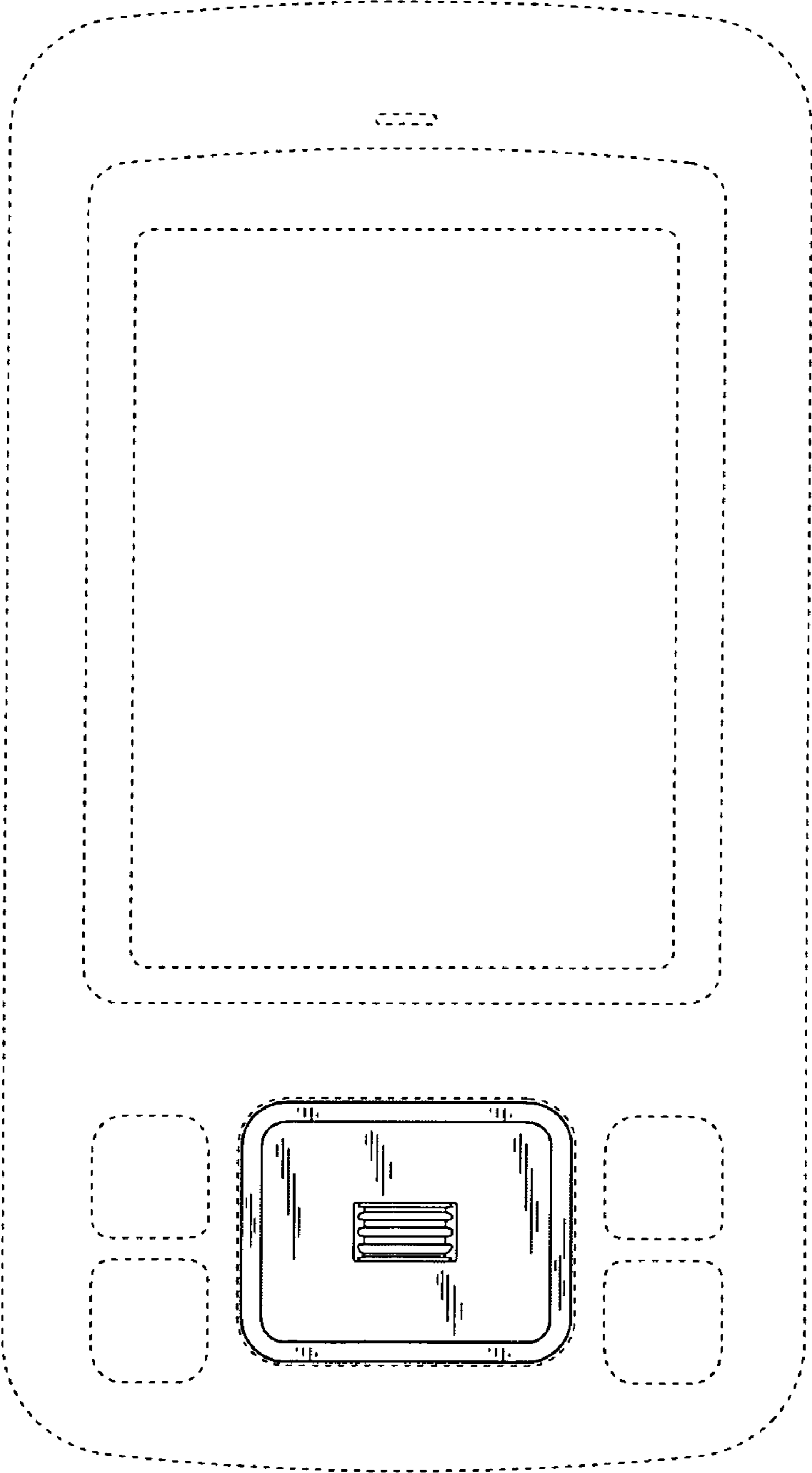


FIG. 3

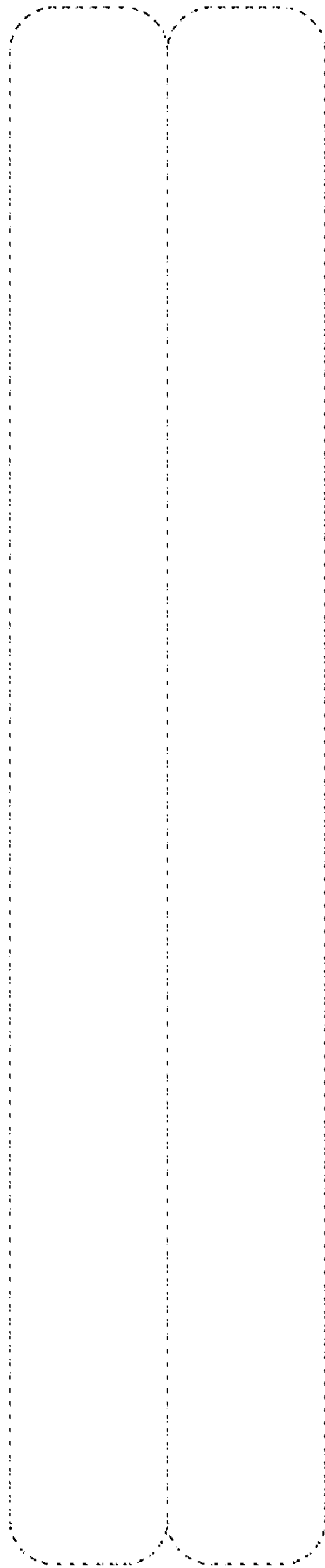


FIG.4

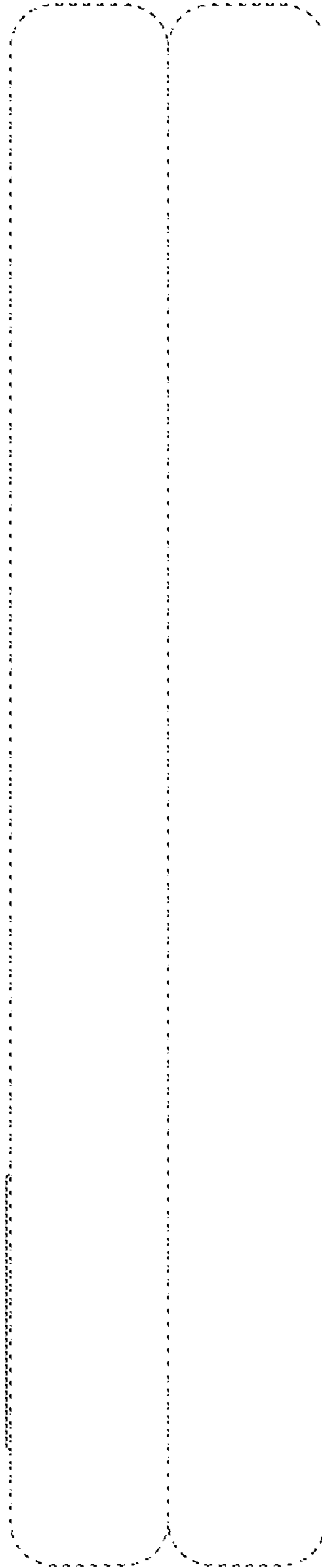


FIG. 5

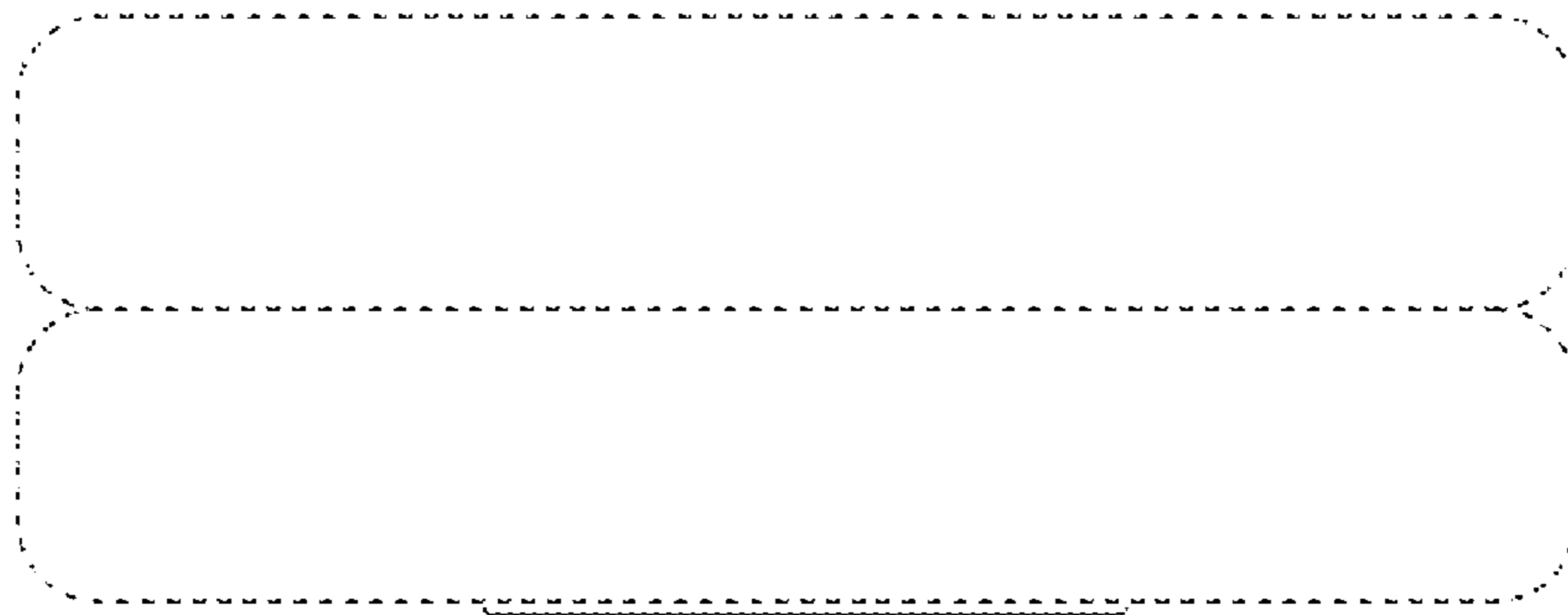


FIG.6

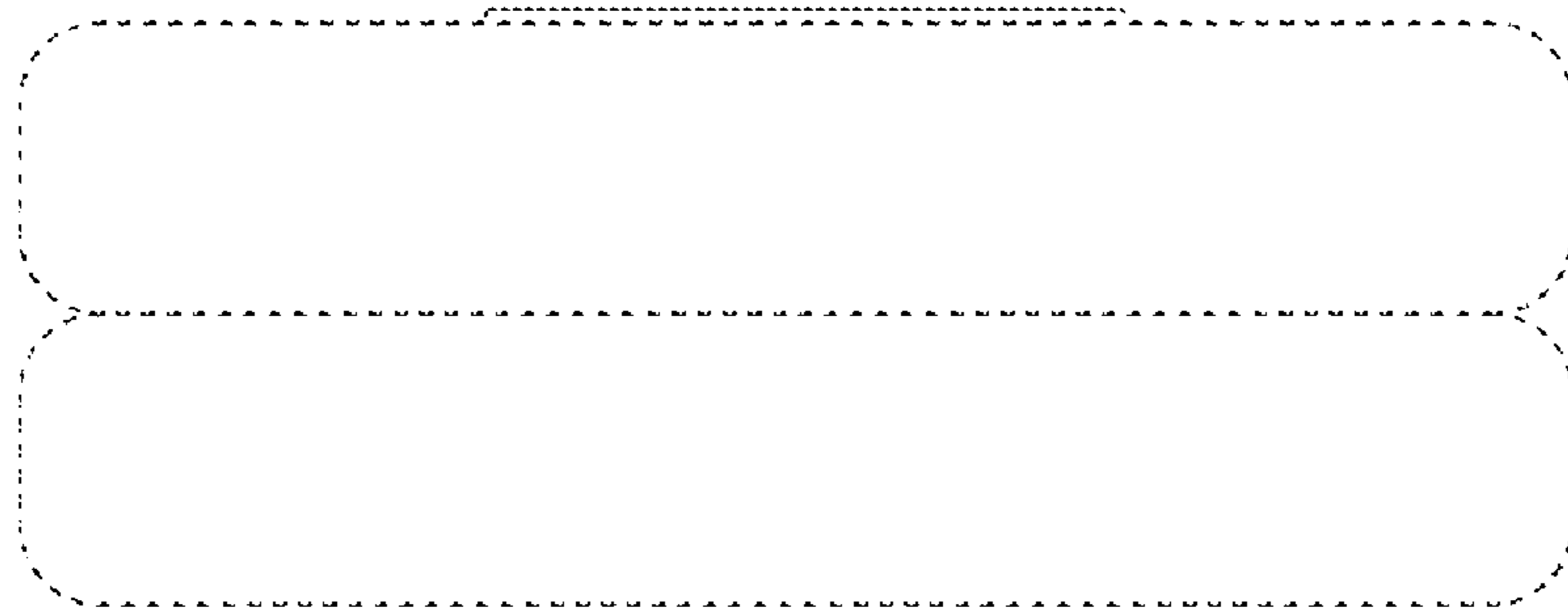


FIG.7

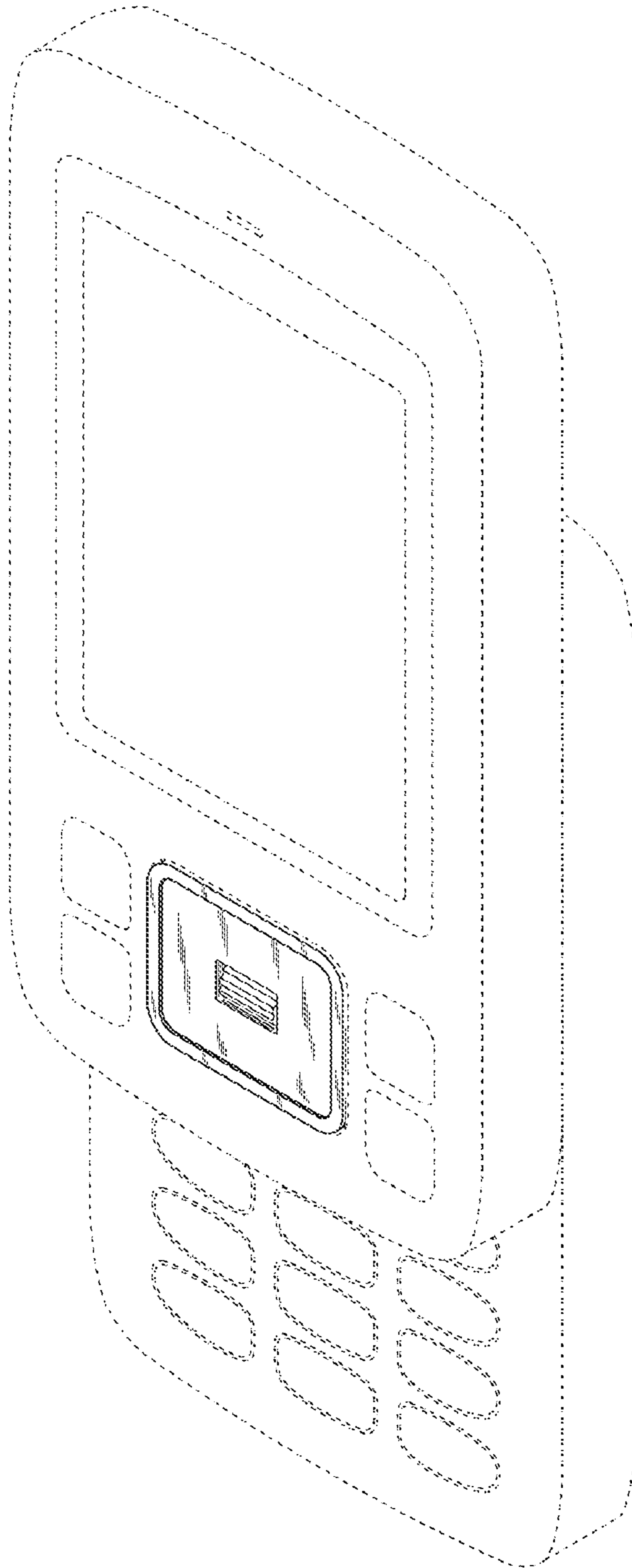


FIG.8

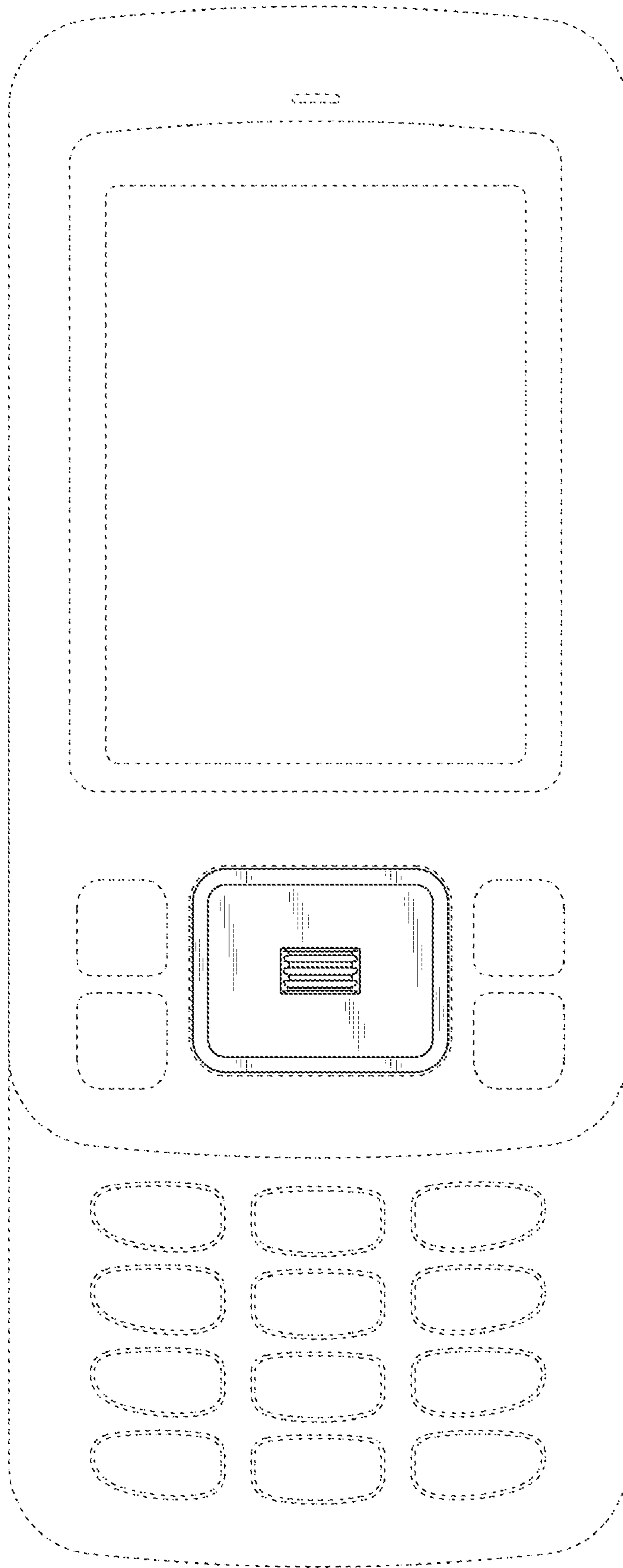


FIG. 9

