



US00D616876S

(12) **United States Design Patent**  
**MacCormac et al.**

(10) **Patent No.:** **US D616,876 S**  
(45) **Date of Patent:** **\*\* Jun. 1, 2010**

(54) **NETWORK PROTECTOR MASTER RELAY ENCLOSURE**  
(75) Inventors: **Timothy James MacCormac**, Raleigh, NC (US); **John Robert Weber, Jr.**, Northport, NY (US)

(73) Assignee: **DGI Creations, LLC**, Raleigh, NC (US)

(\*\*) Term: **14 Years**

(21) Appl. No.: **29/338,964**

(22) Filed: **Jun. 22, 2009**

(51) **LOC (9) Cl.** ..... **14-03**  
(52) **U.S. Cl.** ..... **D14/240**  
(58) **Field of Classification Search** ..... D14/240, D14/242, 140, 218, 358, 217, 238.1, 480.7; D13/168, 184; 360/69; 379/220.01, 220.02, 379/25, 93.09, 93.15, 93.14, 156, 900, 339.01, 379/413.02; 455/550.1, 557  
See application file for complete search history.

(56) **References Cited**

**U.S. PATENT DOCUMENTS**

RE35,929 E *	10/1998	Daoud	379/413.02
D406,566 S *	3/1999	Roman	D13/162.1
5,901,220 A *	5/1999	Garver et al.	379/399.01
6,031,907 A	2/2000	Daoud	379/399
6,282,285 B1 *	8/2001	Daoud	379/399.01
D463,414 S *	9/2002	Gao	D14/240
D464,956 S	10/2002	Hill et al.	D14/240
6,510,226 B1	1/2003	Thomann et al.	379/413.04

D485,829 S	1/2004	Lee	D14/240
6,683,950 B1 *	1/2004	Harwood et al.	379/413.02
6,735,450 B1	5/2004	Remmert	455/550
D509,214 S *	9/2005	Chung	D14/240
D510,342 S	10/2005	MacCormac et al.	D14/240
6,990,192 B1 *	1/2006	Denovich et al.	379/399.01
D530,708 S *	10/2006	Maruyama	D14/240
D530,709 S *	10/2006	Bang et al.	D14/240
7,242,549 B2 *	7/2007	Sakaguchi et al.	360/69

\* cited by examiner

*Primary Examiner*—Charles A Rademaker

(74) *Attorney, Agent, or Firm*—The Eclipse Group LLP; Kevin E. Flynn; C. J. Hunter Plemmons

(57) **CLAIM**

The ornamental design for a network protector master relay enclosure, as shown and described.

**DESCRIPTION**

FIG. 1 is a top, front and right side perspective view of a network protector master relay enclosure showing our new design.

FIG. 2 is a top plan view thereof.

FIG. 3 is a bottom plan view thereof.

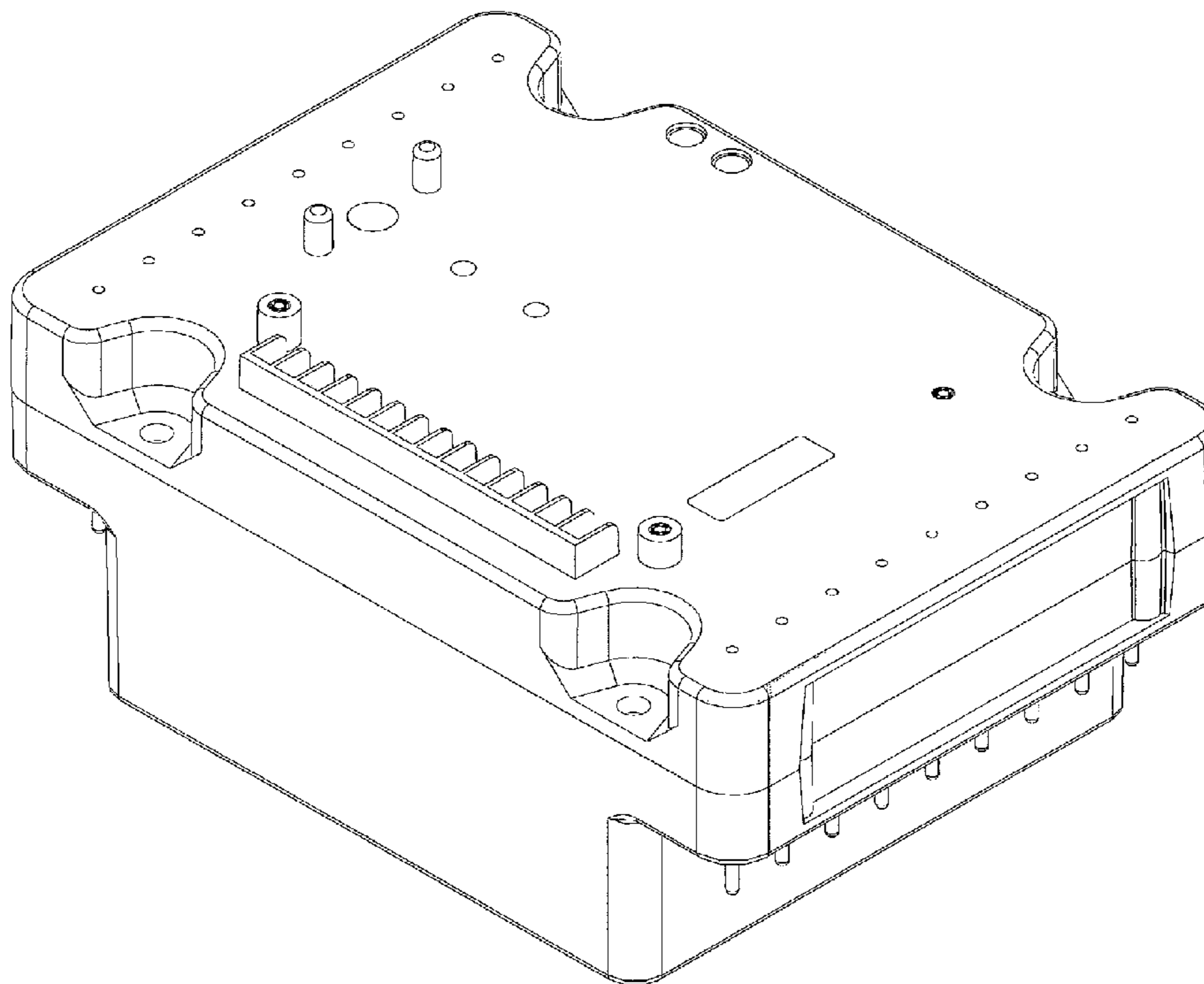
FIG. 4 is a right elevation thereof.

FIG. 5 is a left elevation thereof.

FIG. 6 is a rear elevation thereof; and,

FIG. 7 is a front elevation thereof.

**1 Claim, 7 Drawing Sheets**



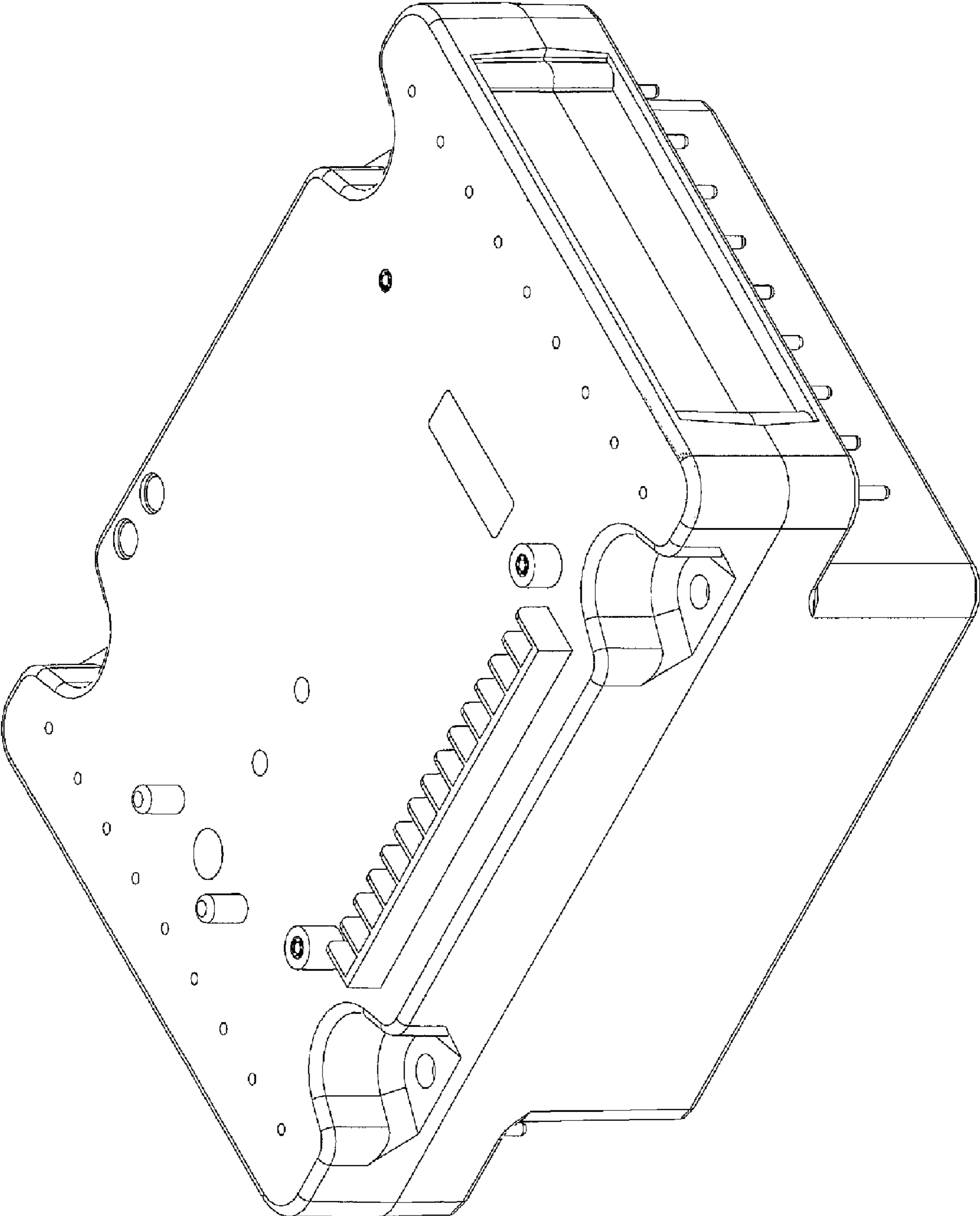
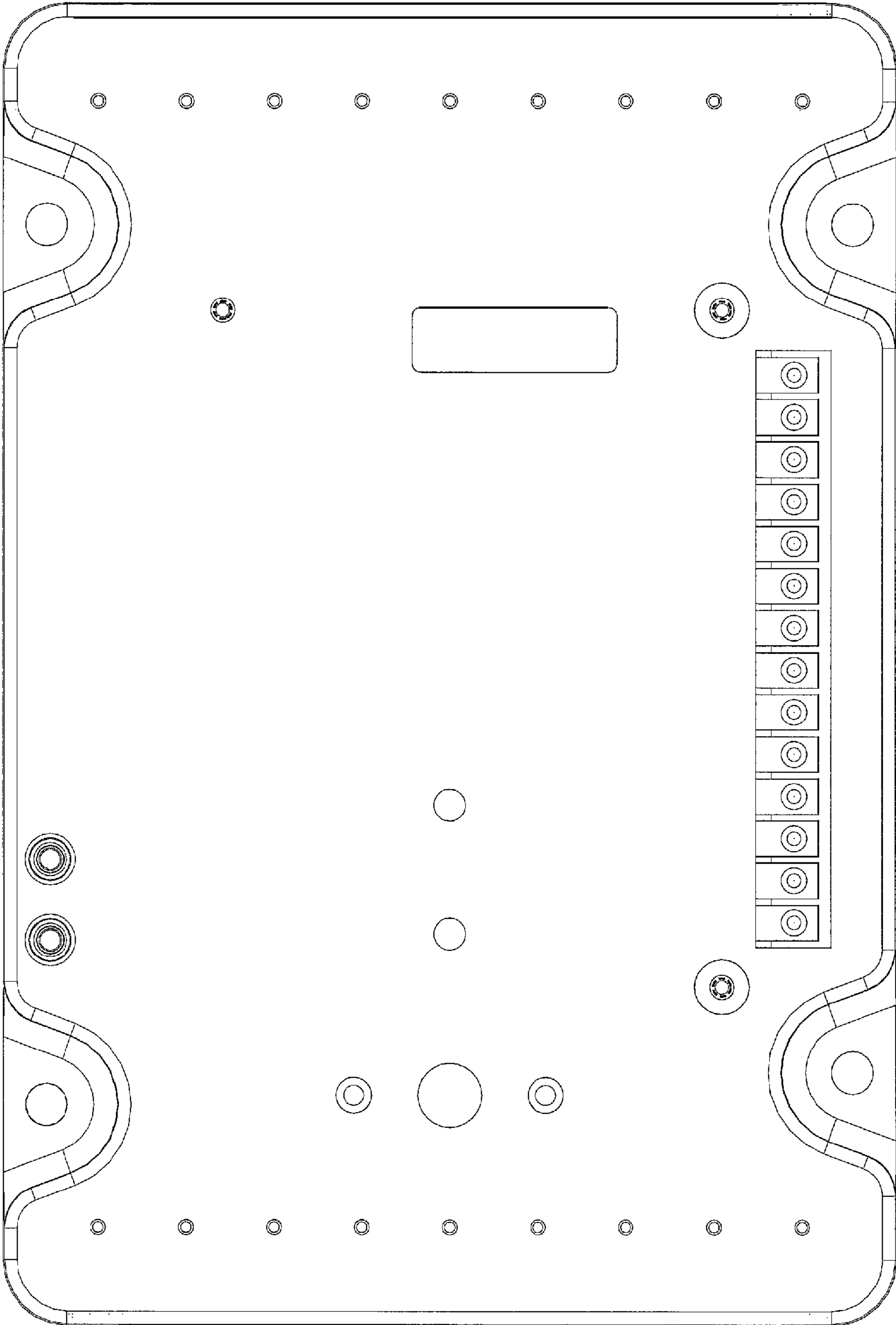


FIG. 1

FIG. 2



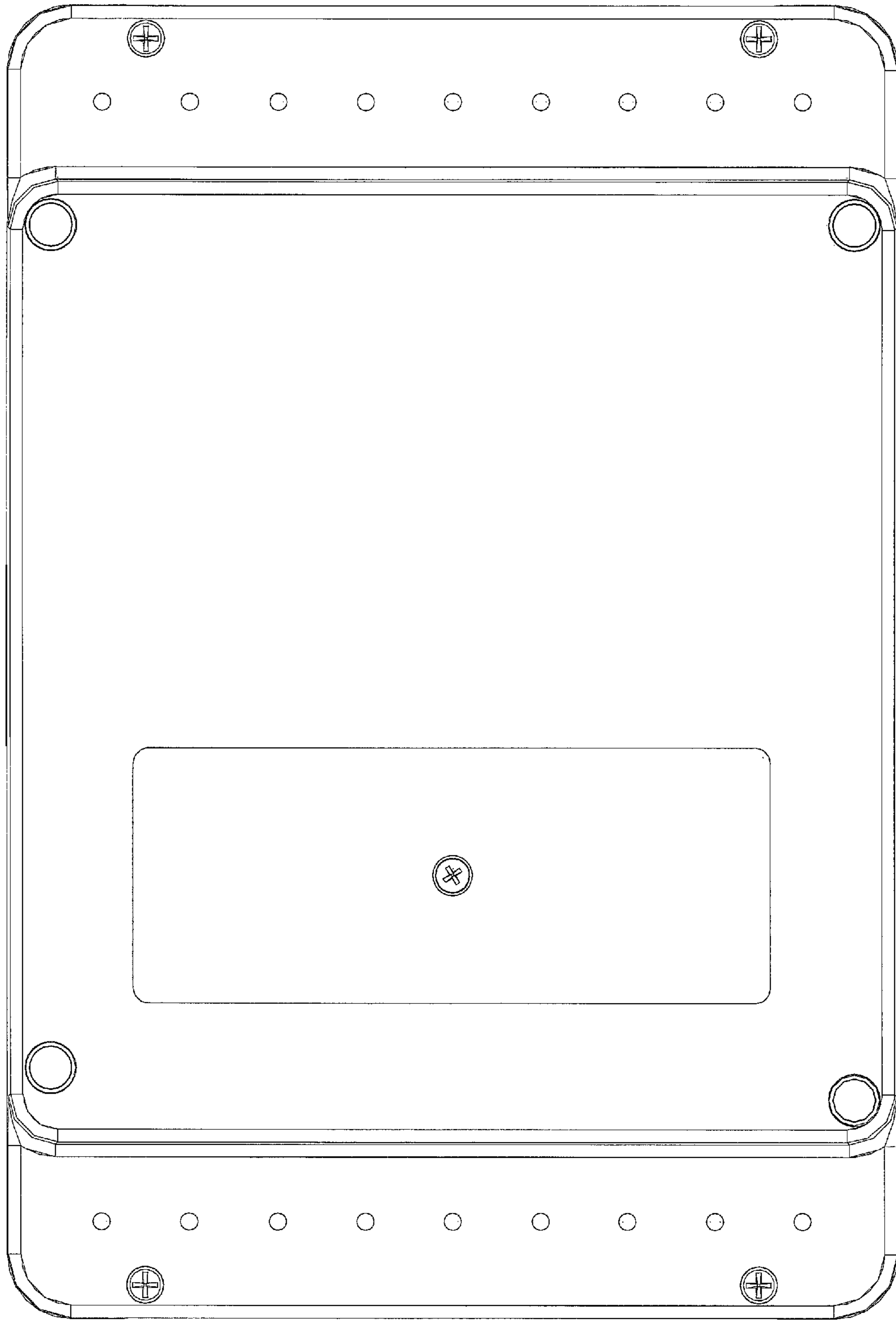


FIG. 3

FIG. 4

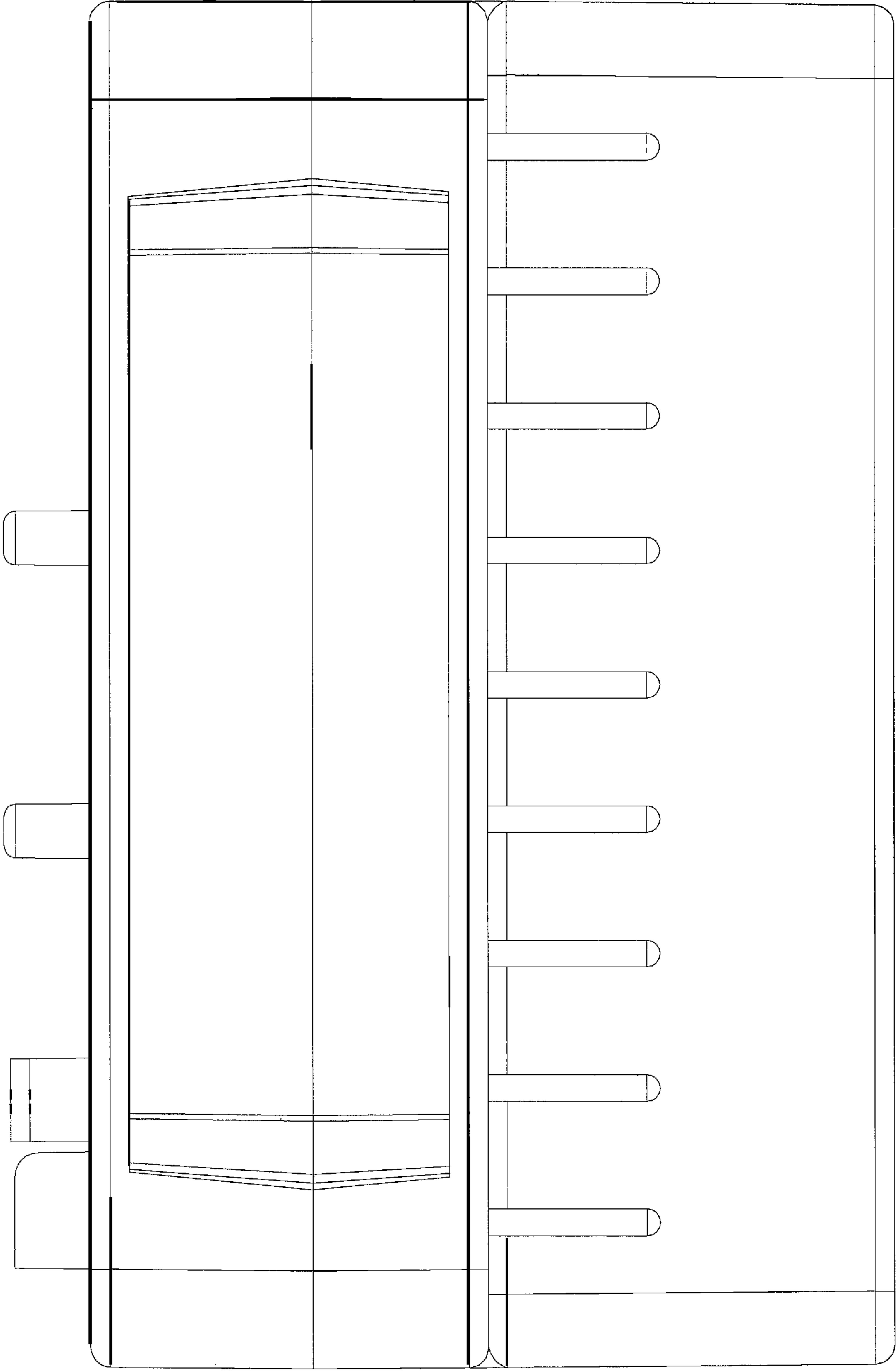


FIG. 5

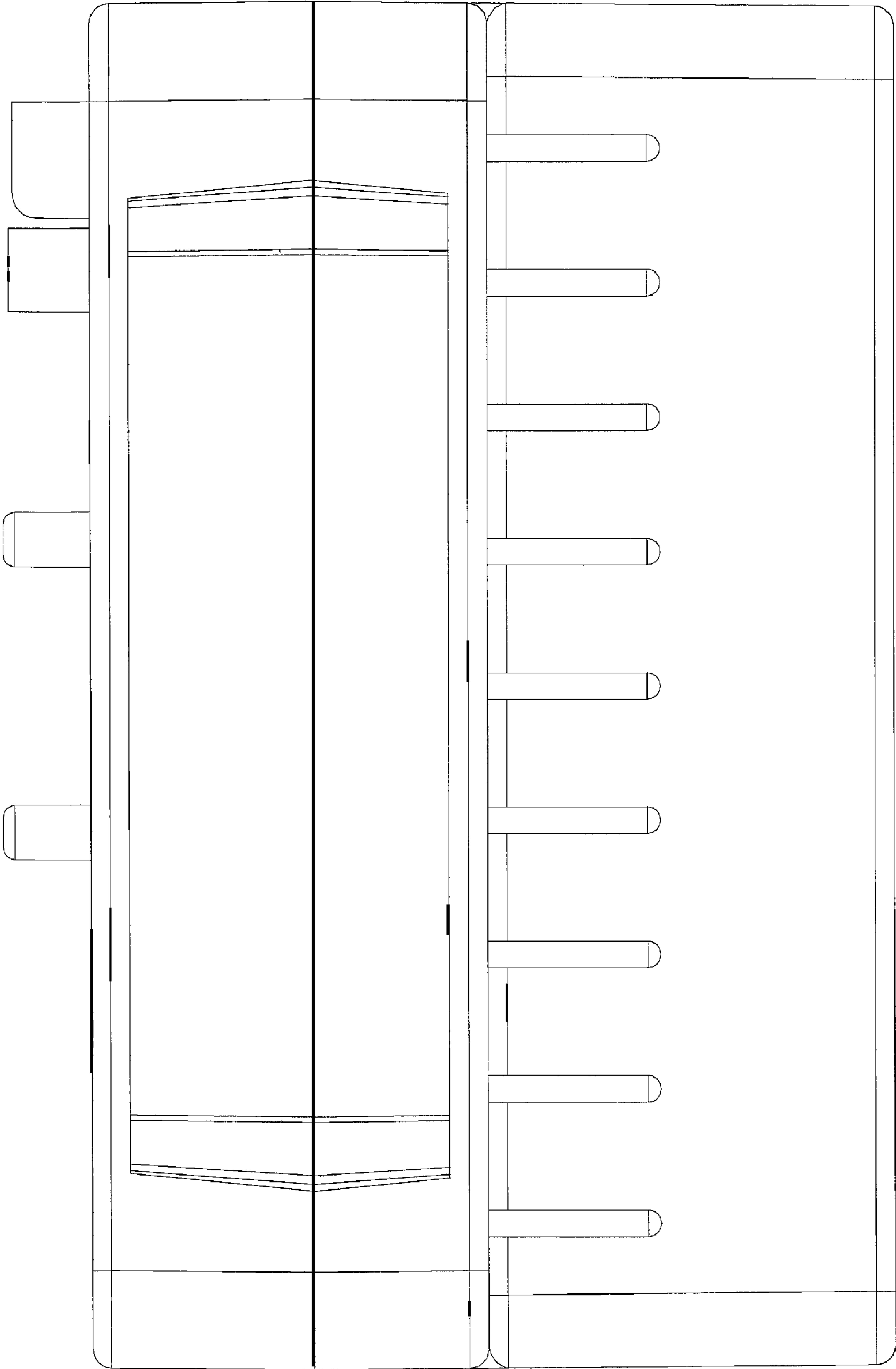
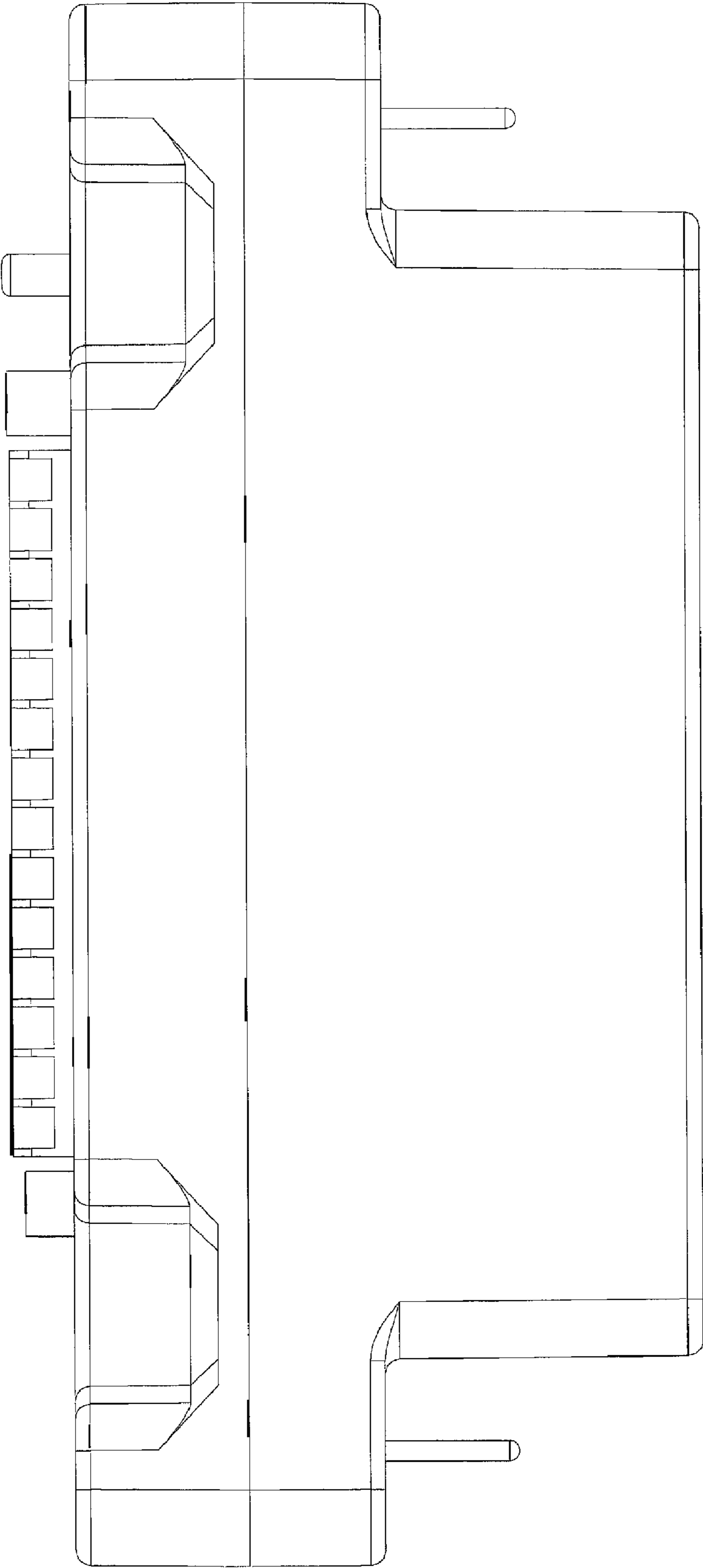


FIG. 6



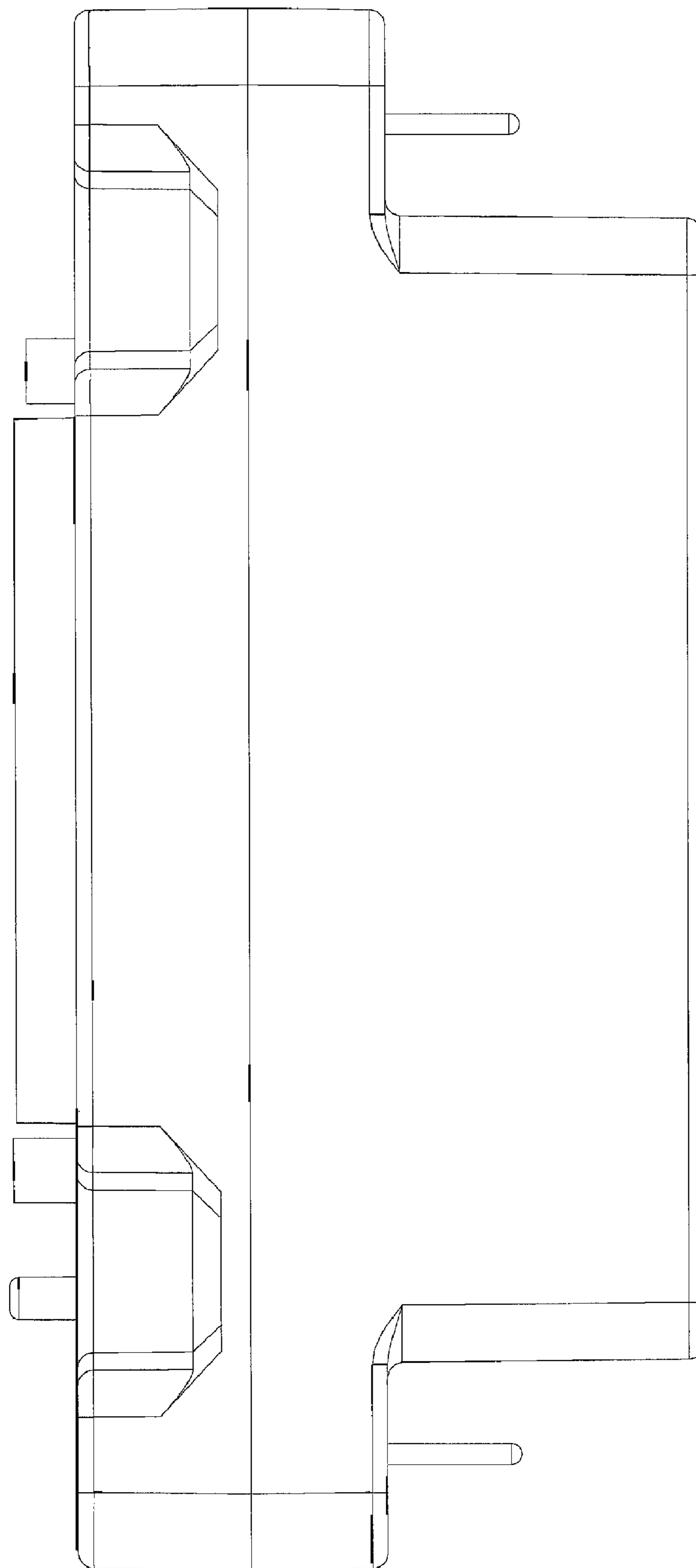


FIG. 7