



US00D616875S

(12) **United States Design Patent**
Oh et al.

(10) **Patent No.:** **US D616,875 S**
(45) **Date of Patent:** **** Jun. 1, 2010**

(54) **HANDSET**

(75) Inventors: **Christine Oh**, Los Angeles, CA (US);
Aki Laine, Santa Monica, CA (US)

(73) Assignee: **Nokia Corporation**, Espoo (FI)

(**) Term: **14 Years**

(21) Appl. No.: **29/338,831**

(22) Filed: **Jun. 19, 2009**

(51) **LOC (9) Cl.** **14-03**

(52) **U.S. Cl.** **D14/240; D14/188**

(58) **Field of Classification Search** D14/240,
D14/242, 140, 218, 358, 188; D13/168,
D13/184; 360/69; 379/220.01, 220.02, 25,
379/93.09, 93.15, 93.14, 156, 900; 455/550.1,
455/557

See application file for complete search history.

(56) **References Cited**

U.S. PATENT DOCUMENTS

D302,014 S *	7/1989	Ohzu	D14/188
D366,878 S *	2/1996	Wakabayashi et al.	D14/242
D411,208 S *	6/1999	Richter	D14/253
D432,122 S *	10/2000	Richter	D14/253
D460,443 S *	7/2002	Brunner et al.	D14/240
D535,650 S *	1/2007	Wong et al.	D14/240
D536,692 S *	2/2007	Alwicker et al.	D14/188
D573,957 S *	7/2008	Ledbetter et al.	D13/168
D577,721 S *	9/2008	O'Neil	D14/358
D589,015 S	3/2009	Leith et al.		

D592,171 S	5/2009	Chen	
D592,172 S	5/2009	Chen	
D592,649 S *	5/2009	L'Henaff et al. D14/240
D593,057 S	5/2009	Harju	
D593,058 S	5/2009	Harju	
D594,836 S	6/2009	Harju	
D594,843 S	6/2009	Mitchell et al.	
7,599,709 B2 *	10/2009	Kim 455/550.1

* cited by examiner

Primary Examiner—Charles A Rademaker

(74) *Attorney, Agent, or Firm*—Banner & Witcoff, Ltd.

(57) **CLAIM**

The ornamental design for a handset, as shown and described.

DESCRIPTION

FIG. 1 is a perspective front view of a handset showing our new design;

FIG. 2 is a front view thereof;

FIG. 3 is a rear view thereof;

FIG. 4 is a right side view thereof;

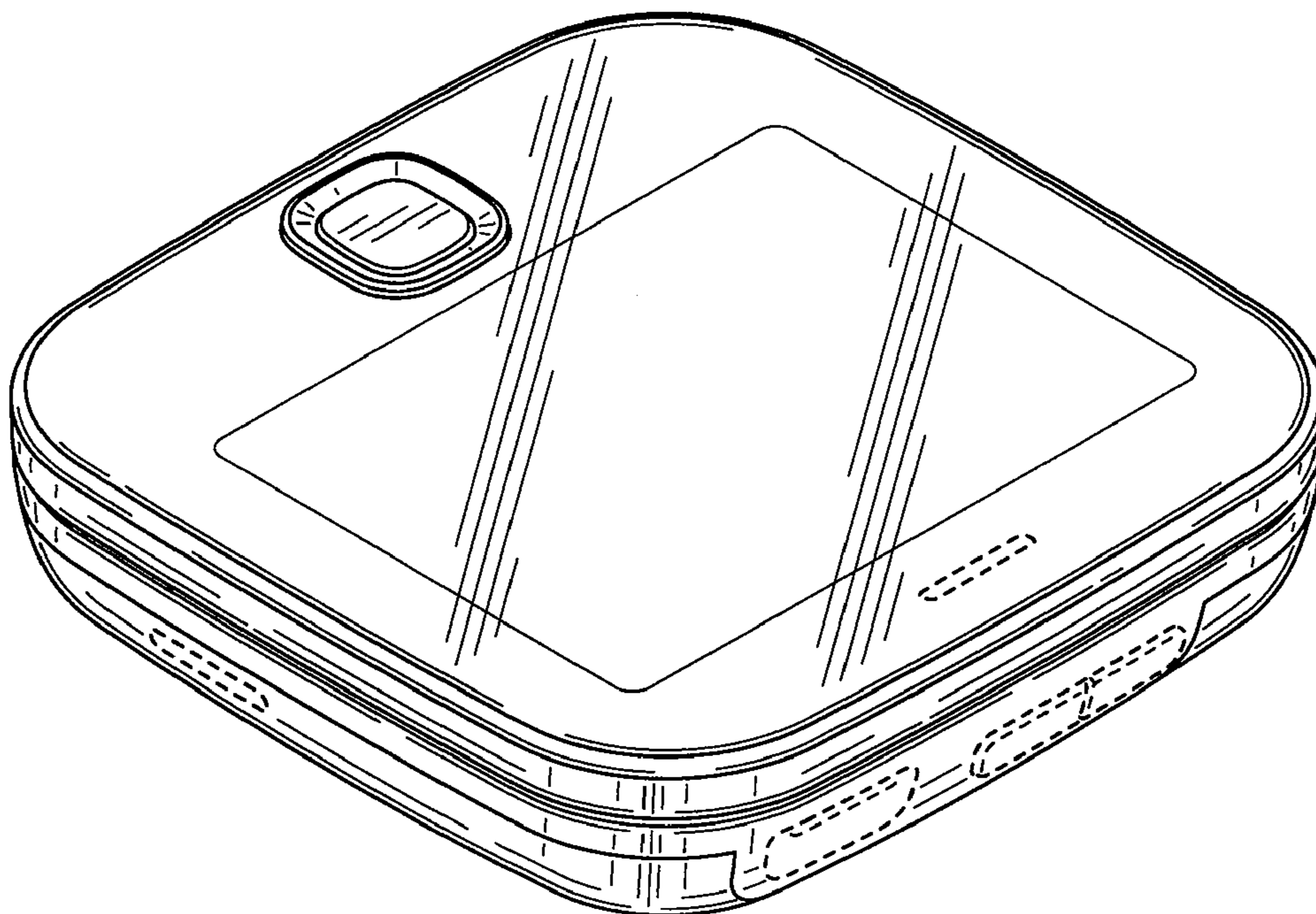
FIG. 5 is a left side thereof;

FIG. 6 is a top view thereof; and,

FIG. 7 is a bottom view thereof.

The broken line showing of the environmental structure of the handset and the unshaded regions within the broken lines in FIGS. 1–7 is for illustrative purposes only and forms no part of the claimed design.

1 Claim, 3 Drawing Sheets



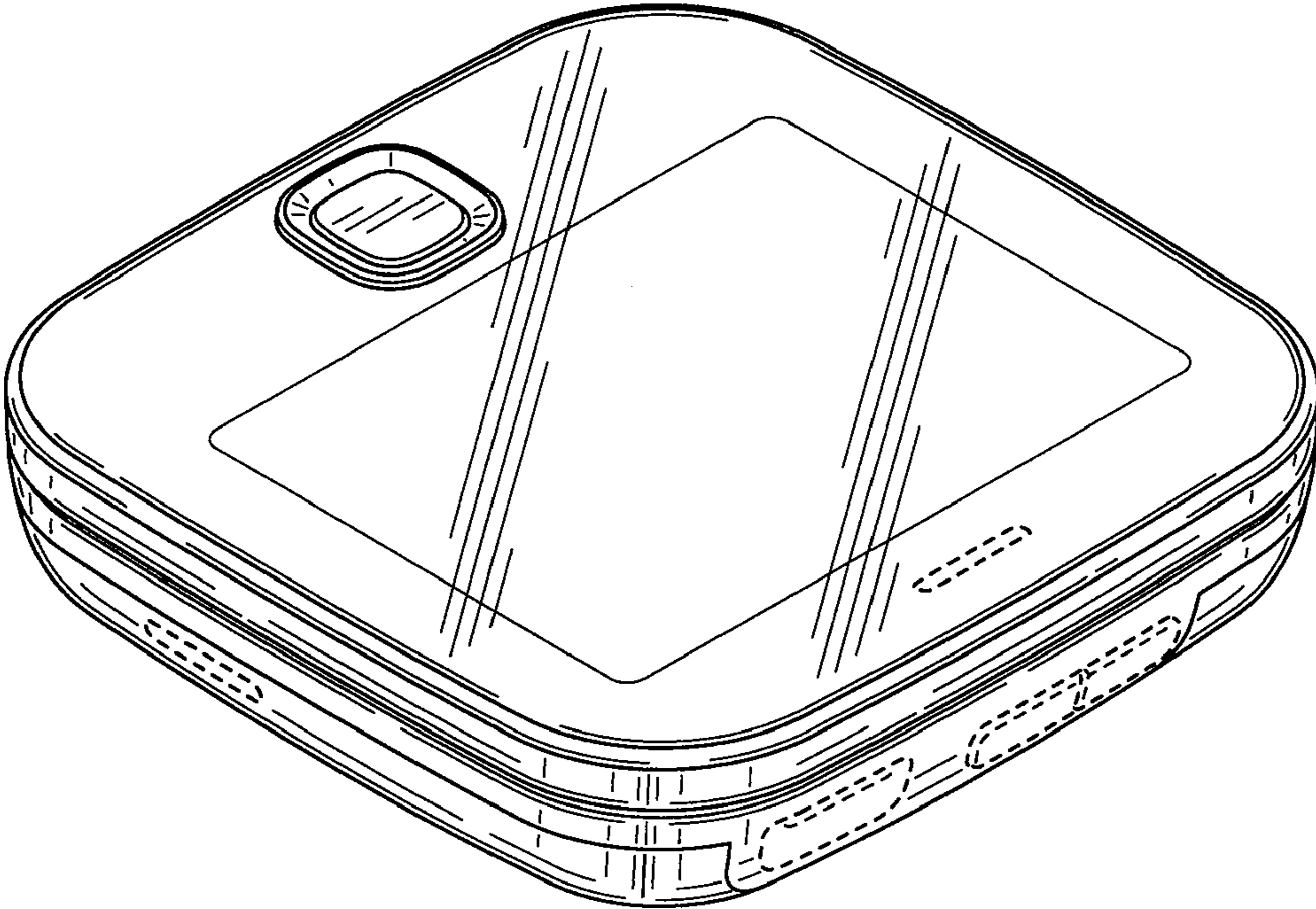


FIG. 1

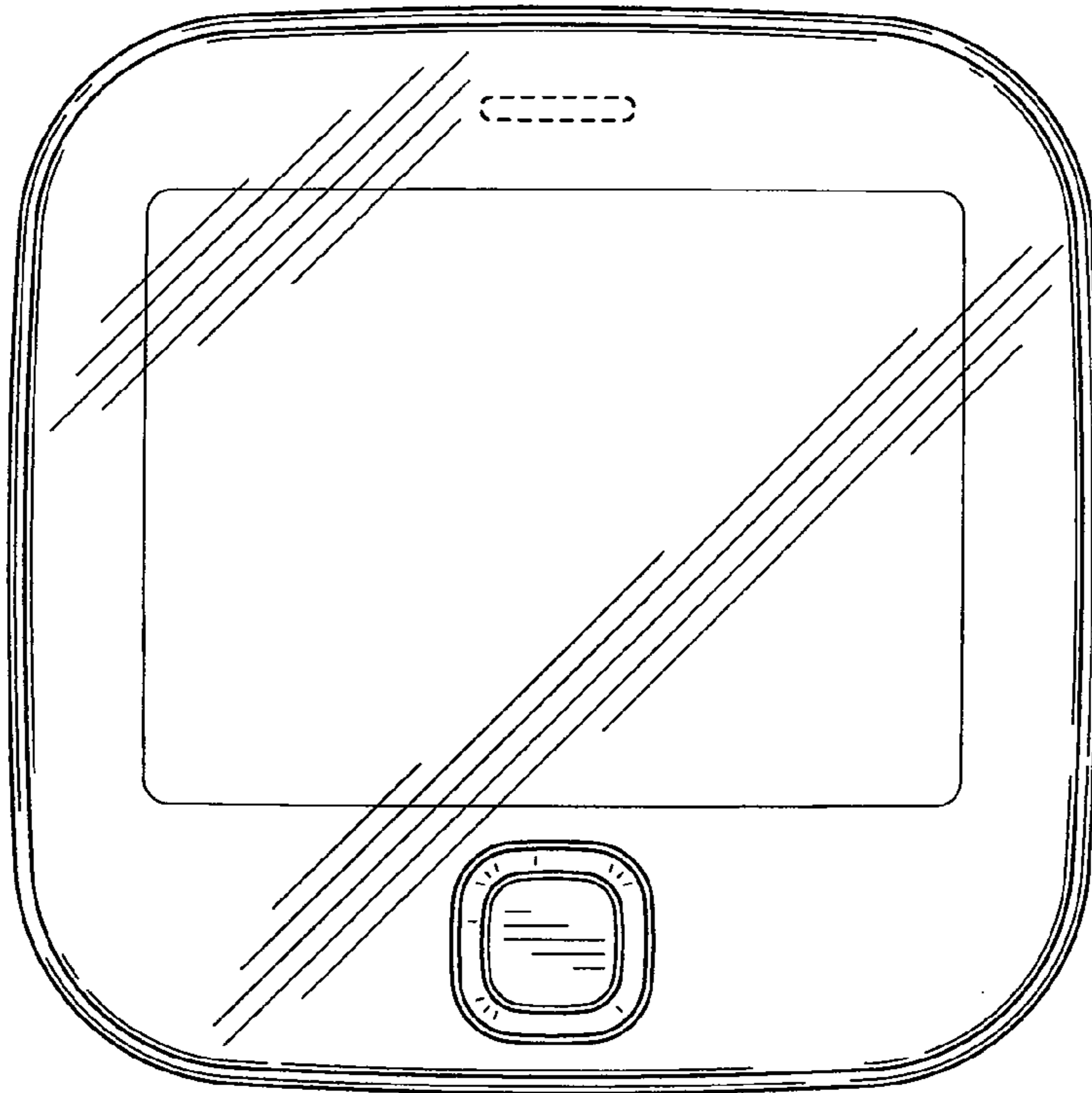


FIG. 2

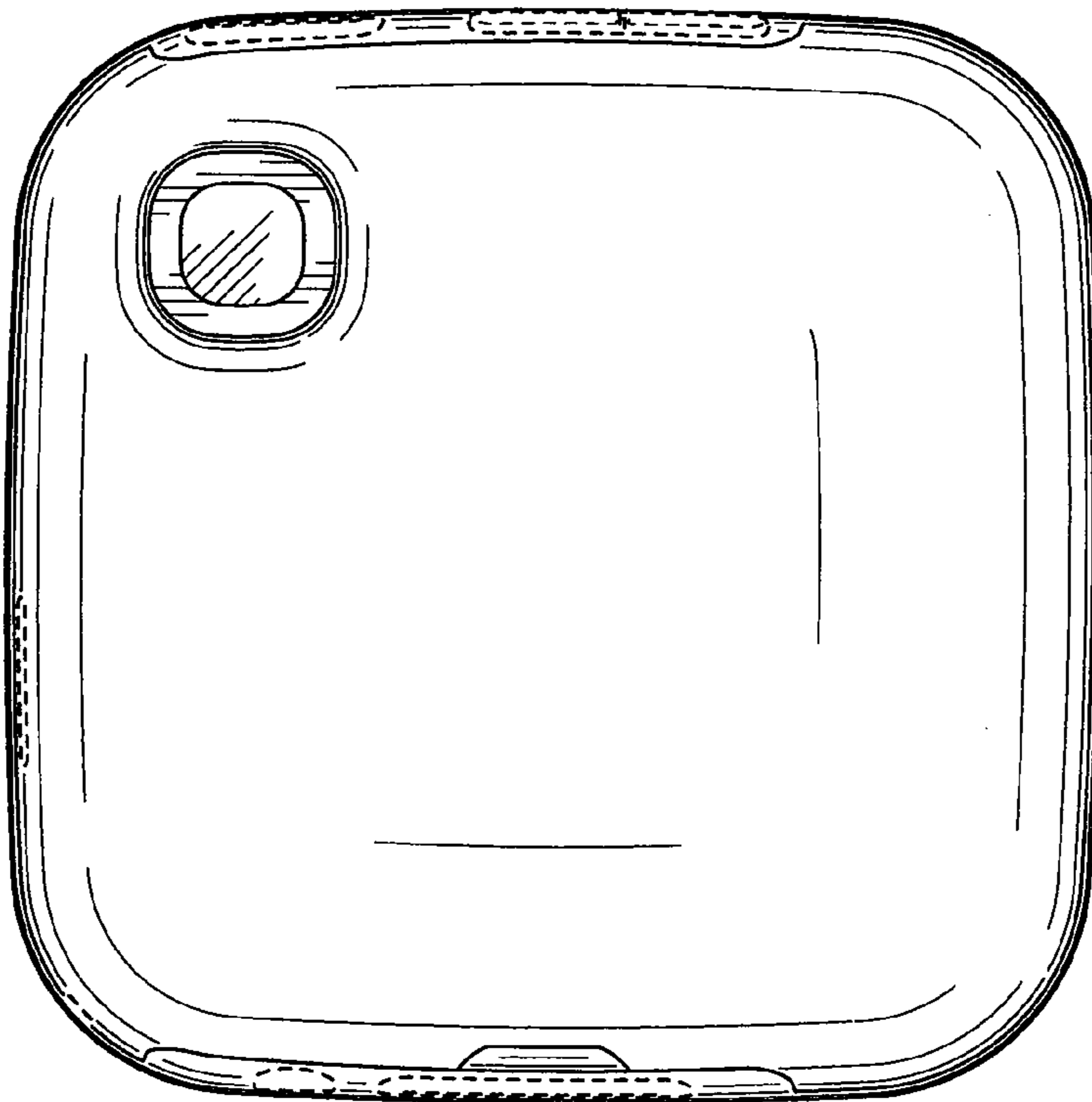


FIG. 3

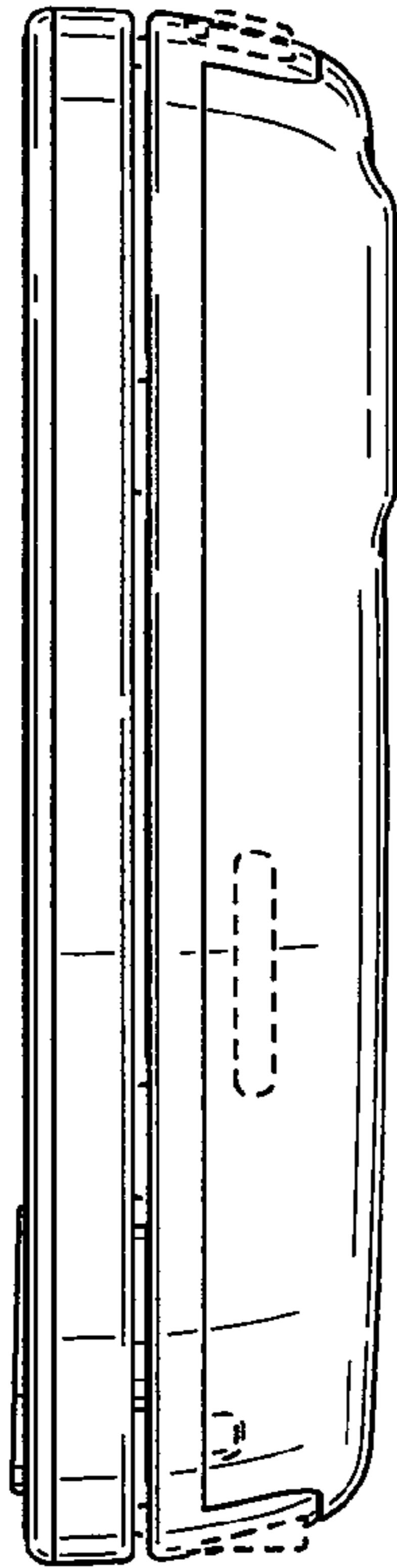


FIG. 4

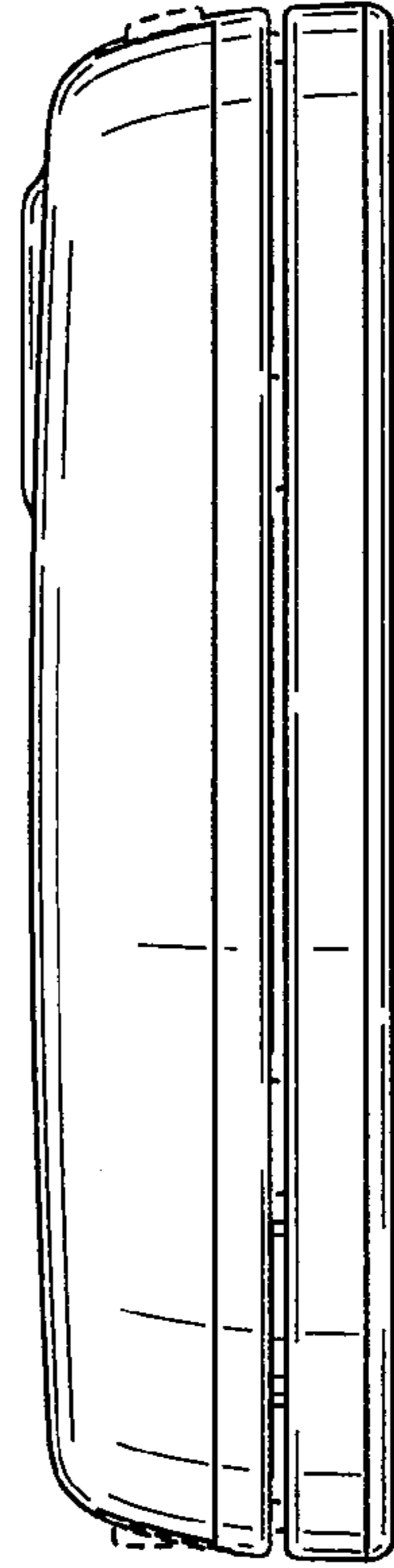


FIG. 5

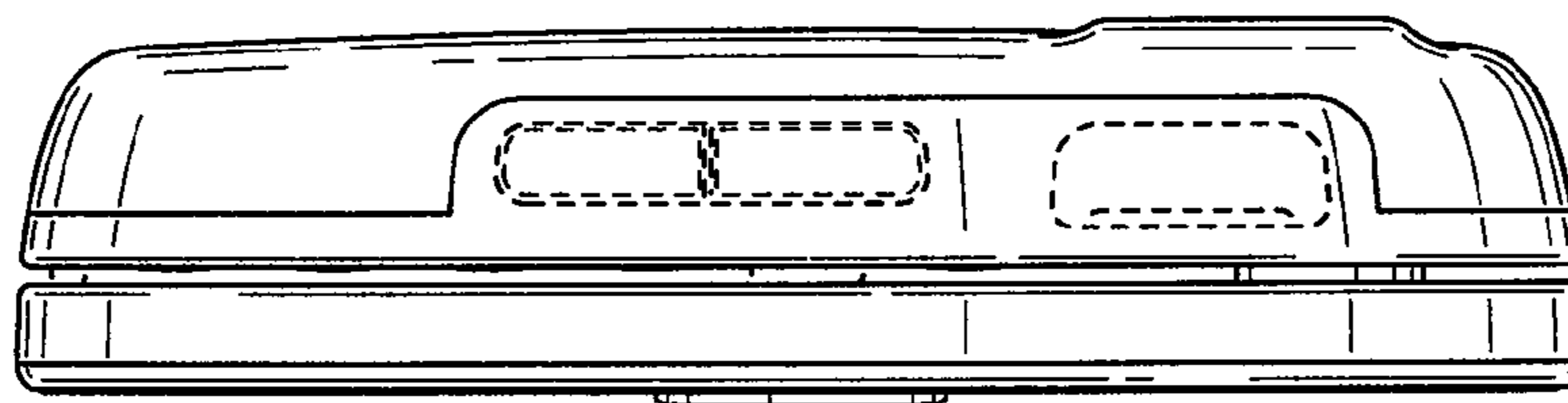


FIG. 6

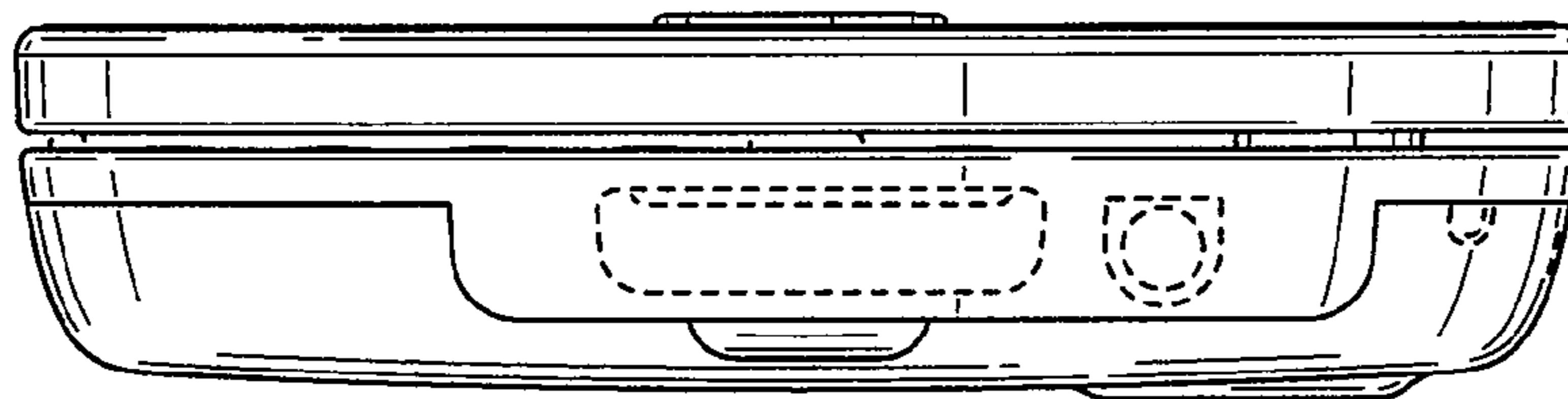


FIG. 7