



US00D616874S

(12) **United States Design Patent**
Matsuoka

(10) **Patent No.:** **US D616,874 S**
(45) **Date of Patent:** **** Jun. 1, 2010**

(54) **PAIRED SET OF A PERSONAL AUDIO OUTPUT DEVICE WITH SURFACE ORNAMENTATION**

(75) Inventor: **Yoshimichi Matsuoka**, Cupertino, CA (US)
(73) Assignee: **Palm, Inc.**, Sunnyvale, CA (US)
(**) Term: **14 Years**
(21) Appl. No.: **29/343,078**
(22) Filed: **Sep. 4, 2009**

Related U.S. Application Data

(62) Division of application No. 29/322,464, filed on Aug. 5, 2008, now Pat. No. Des. 602,004.
(51) **LOC (9) Cl.** **14-01**
(52) **U.S. Cl.** **D14/223**
(58) **Field of Classification Search** D14/205, D14/206, 223; 181/129, 130; 379/430, 433.01, 379/433.02, 433.03, 433.06; D24/173, 174; 381/370, 380, 381; 455/575.1, 90.1, 90.2
See application file for complete search history.

(56) **References Cited**

U.S. PATENT DOCUMENTS

3,197,577 A 7/1965 Kuklock
(Continued)

Primary Examiner—Paula Greene

(74) *Attorney, Agent, or Firm*—Mahamedi Paradise Kreisman LLP

(57) **CLAIM**

The ornamental design for a paired set of a personal audio output device with surface ornamentation, as shown and described.

DESCRIPTION

FIG. 1 is a side view of the right one of a paired set of a personal audio output device with surface ornamentation showing my new design, shown separately for ease of illustration;

FIG. 2 is a front isometric view of the personal audio output device of FIG. 1;

FIG. 3 is a back view of the personal audio output device of FIG. 1, showing a back façade of the personal audio output device;

FIG. 4 is a back isometric view of FIG. 3;

FIG. 5 is a front end view of the personal audio output device of FIG. 1;

FIG. 6 is a back end view of the personal audio output device of FIG. 1;

FIG. 7 is top view of the personal audio output device of FIG. 1;

FIG. 8 is a bottom view of the personal audio output device of FIG. 1;

FIG. 9 is a side view of a left one of a paired set of a personal audio output device with surface ornamentation showing my new design, shown separately for ease of illustration;

FIG. 10 is a front isometric view of the personal audio output device of FIG. 9;

FIG. 11 is a back view of the personal audio output device of FIG. 9, showing a back façade of the personal audio output device;

FIG. 12 is a back isometric view of FIG. 11;

FIG. 13 is a front end view of the personal audio output device of FIG. 9;

FIG. 14 is a back end view of the personal audio output device of FIG. 9;

FIG. 15 is top view of the personal audio output device of FIG. 9;

FIG. 16 is a bottom view of the personal audio output device of FIG. 9;

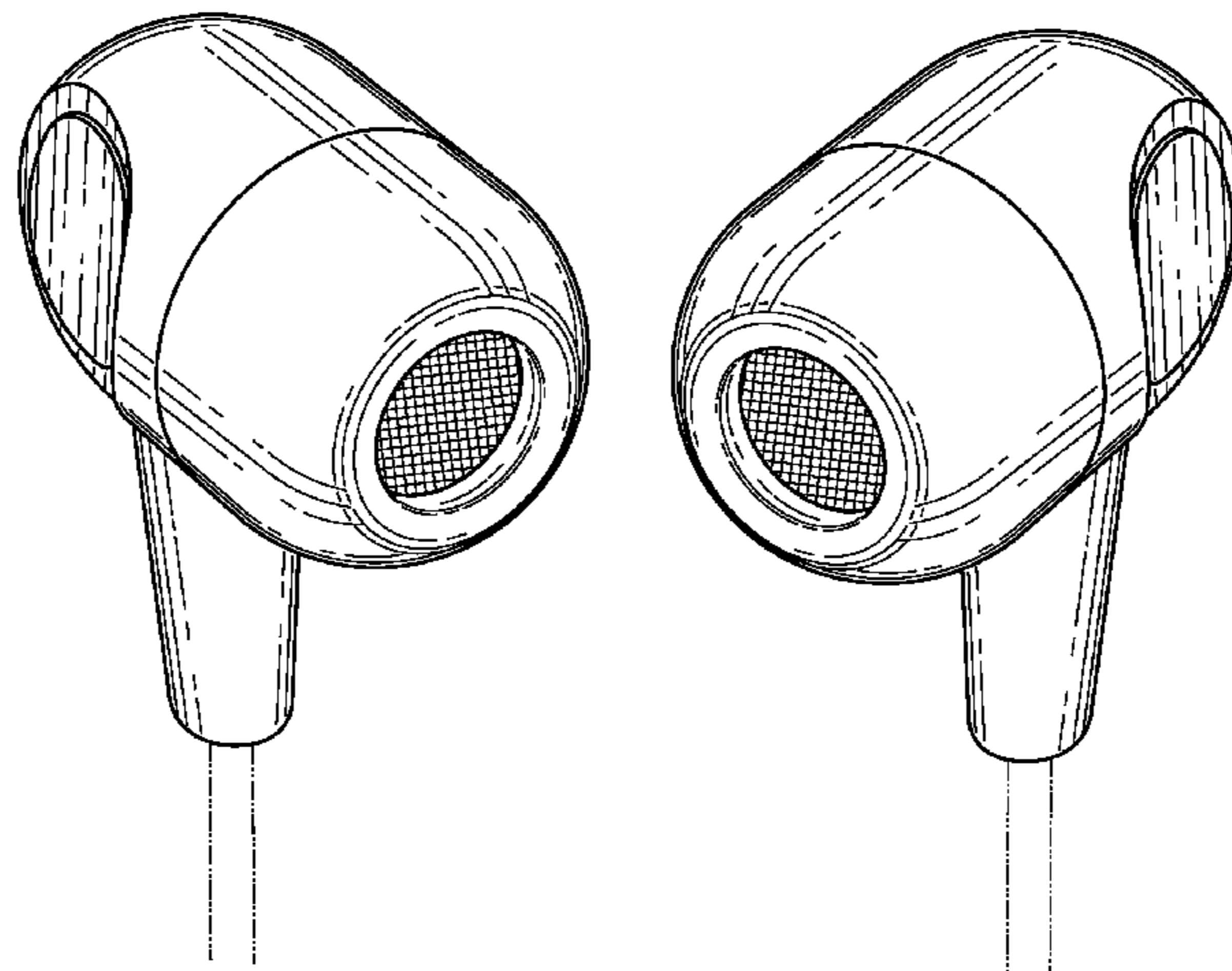
FIG. 17 is a front view of a paired set of a personal audio output device with surface ornamentation showing our new design; and,

FIG. 18 is a front view of a paired set of a personal audio output device of the left and right ear.

The broken-line showing of the personal audio output device in all the figures is for illustrative purposes only and forms no part of the claimed embodiments.

The stippled surface shading discloses shading, tone and surface texture.

1 Claim, 9 Drawing Sheets



US D616,874 S

Page 2

U.S. PATENT DOCUMENTS

3,270,146	A	8/1966	Eberhard et al.	
D331,061	S *	11/1992	Hyohgo	D14/223
D331,062	S *	11/1992	Kanno	D14/223
D337,118	S *	7/1993	Seikita	D14/223
D337,119	S *	7/1993	Taniguchi	D14/223
D337,589	S *	7/1993	Wada	D14/223
D353,379	S *	12/1994	Nakamura et al.	D14/223
D357,921	S *	5/1995	Ming-Chin	D14/223
6,256,386	B1	7/2001	Phillips	
D471,898	S	3/2003	Bae	
D487,077	S *	2/2004	Obata	D14/223
6,731,772	B1 *	5/2004	Byun	381/380
D499,397	S *	12/2004	Hlas et al.	D14/223
D515,070	S *	2/2006	Andre et al.	D14/205
7,062,057	B2	6/2006	Wu	
D537,438	S	2/2007	Hermansen	
D554,627	S *	11/2007	Gondo	D14/223
D559,836	S	1/2008	Lee	
D561,783	S	2/2008	Schmelling	
D564,495	S *	3/2008	Sasaki	D14/205
D565,023	S	3/2008	Yamagishi	
D566,696	S	4/2008	Schmelling	
D568,876	S	5/2008	Tsai et al.	
D572,703	S *	7/2008	Ledbetter et al.	D14/205
D573,140	S	7/2008	Tsai et al.	
D575,278	S	8/2008	Guccione et al.	
D576,154	S *	9/2008	Ledbetter et al.	D14/223
D579,005	S *	10/2008	Wilhelmsen	D14/223
D579,444	S *	10/2008	Ewert et al.	D14/223
D586,332	S *	2/2009	Ewert et al.	D14/223
D587,681	S *	3/2009	Yanai	D14/205
D599,778	S *	9/2009	Ando	D14/205
D600,675	S *	9/2009	Lee et al.	D14/205
D602,004	S *	10/2009	Matsuoka	D14/223
D602,905	S *	10/2009	Morisawa	D14/205
D604,272	S *	11/2009	Kitayama	D14/223
D605,182	S *	12/2009	Fagnot	D14/223
D605,628	S *	12/2009	Ando	D14/205
D605,636	S *	12/2009	Yang	D14/223
D606,971	S *	12/2009	Christopher et al.	D14/205

* cited by examiner

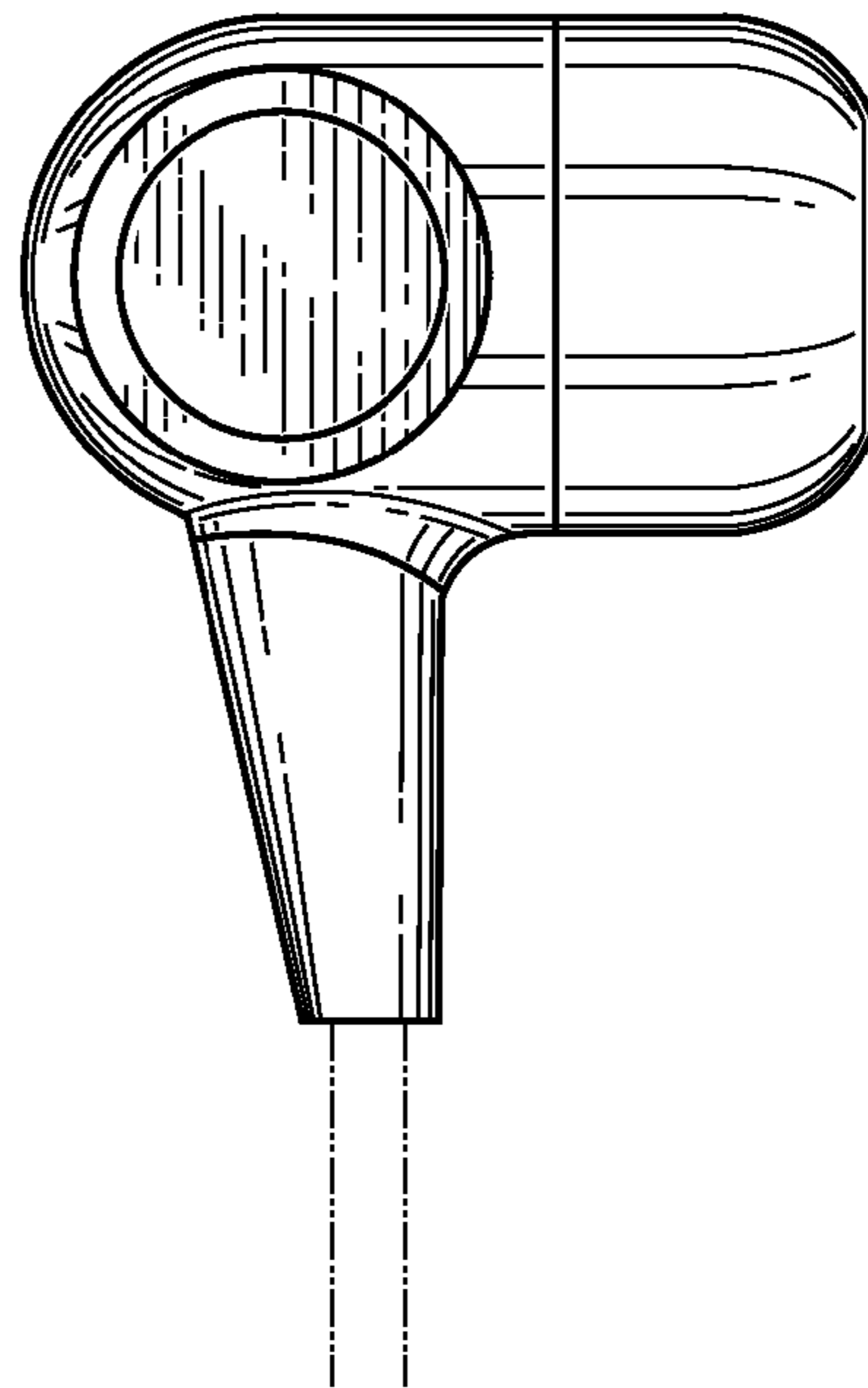


FIG. 1

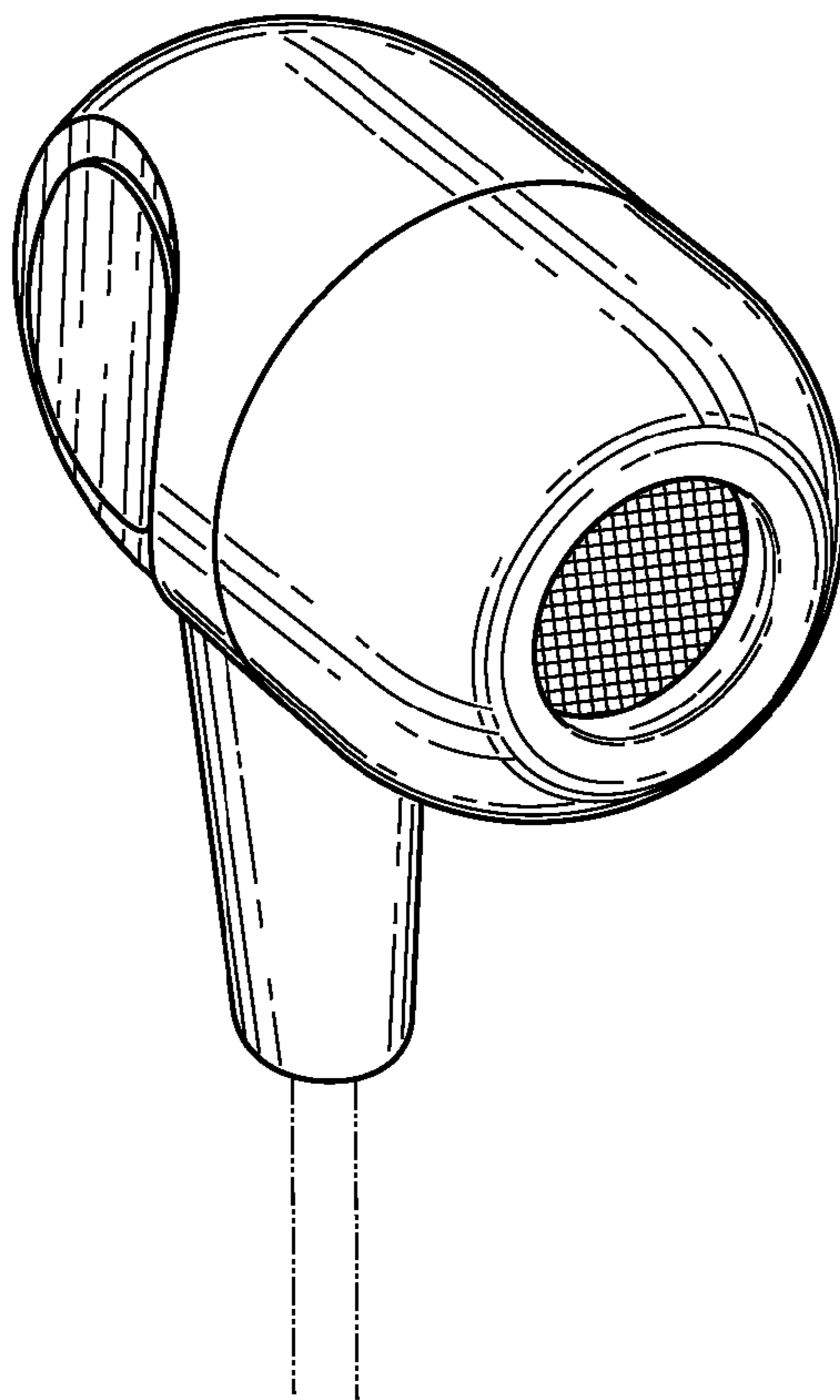


FIG. 2

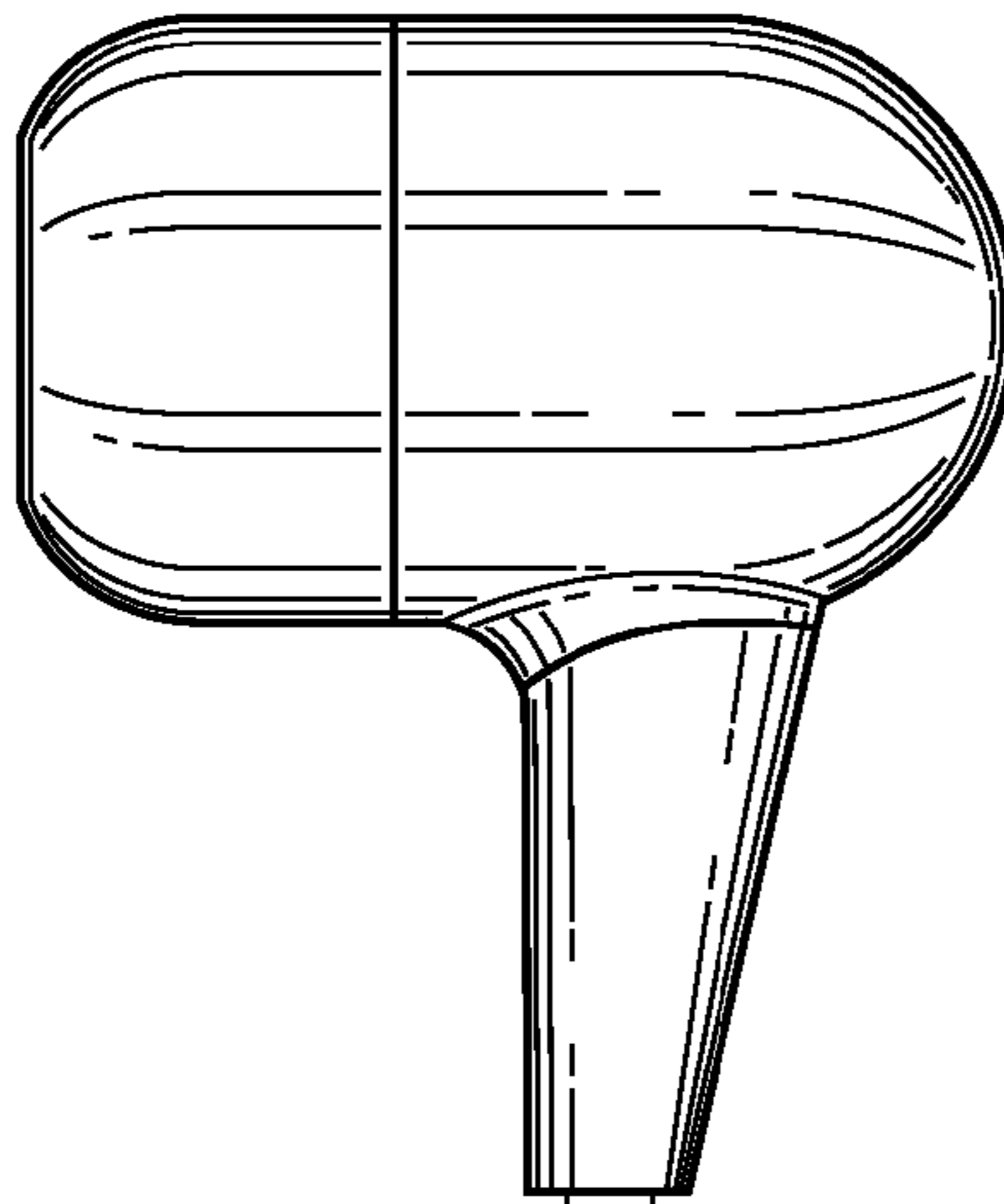


FIG. 3

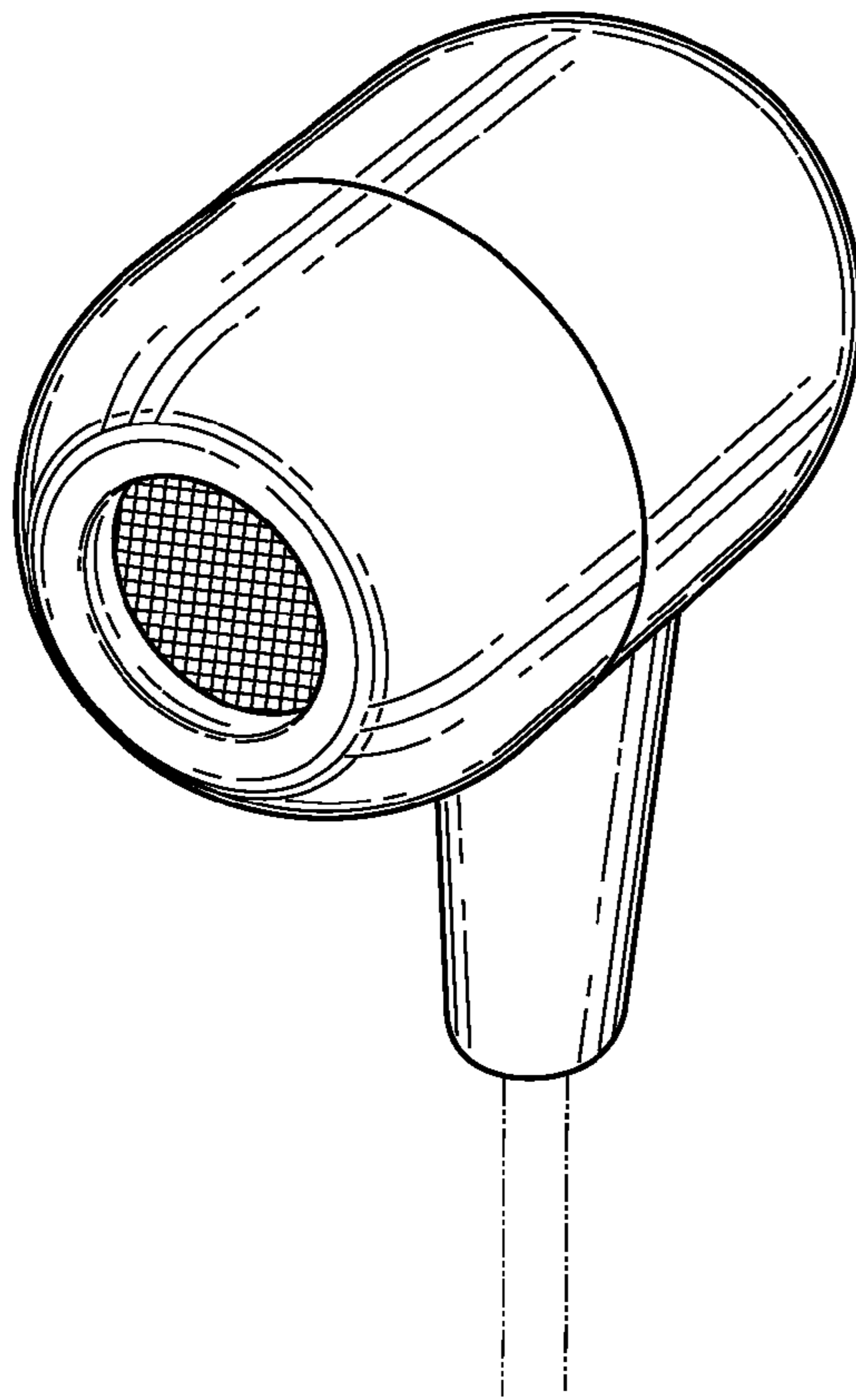


FIG. 4

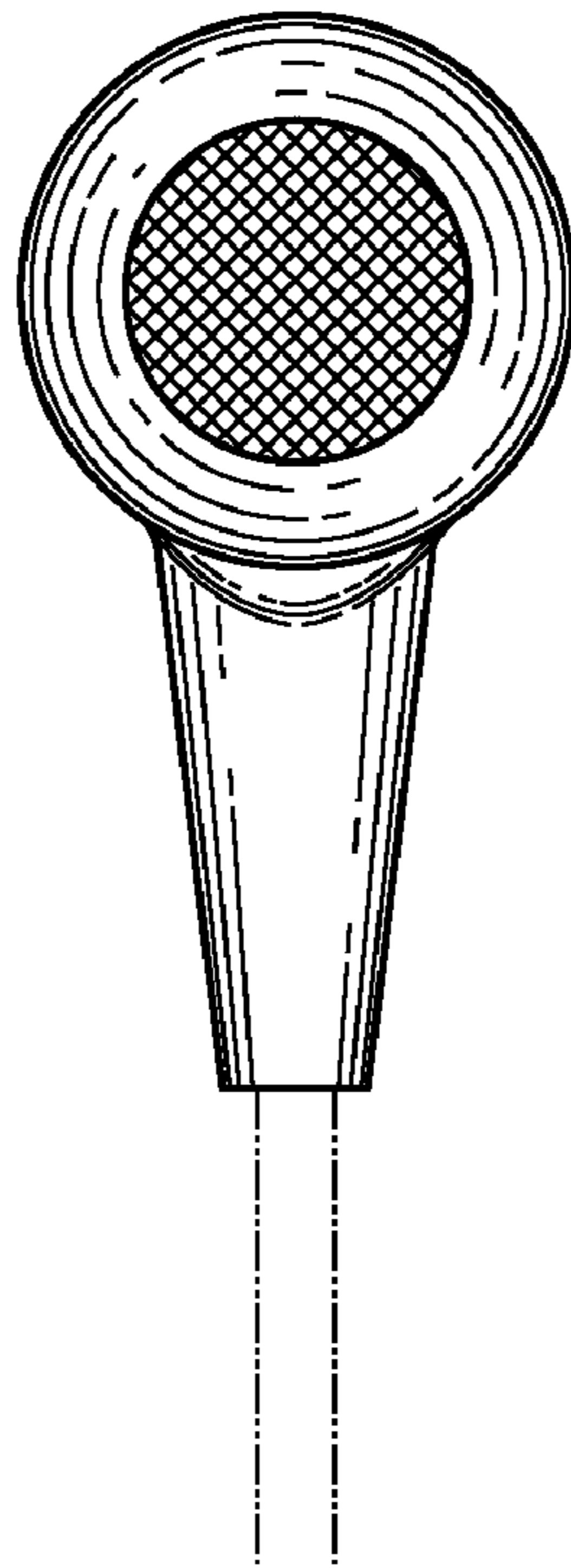


FIG. 5

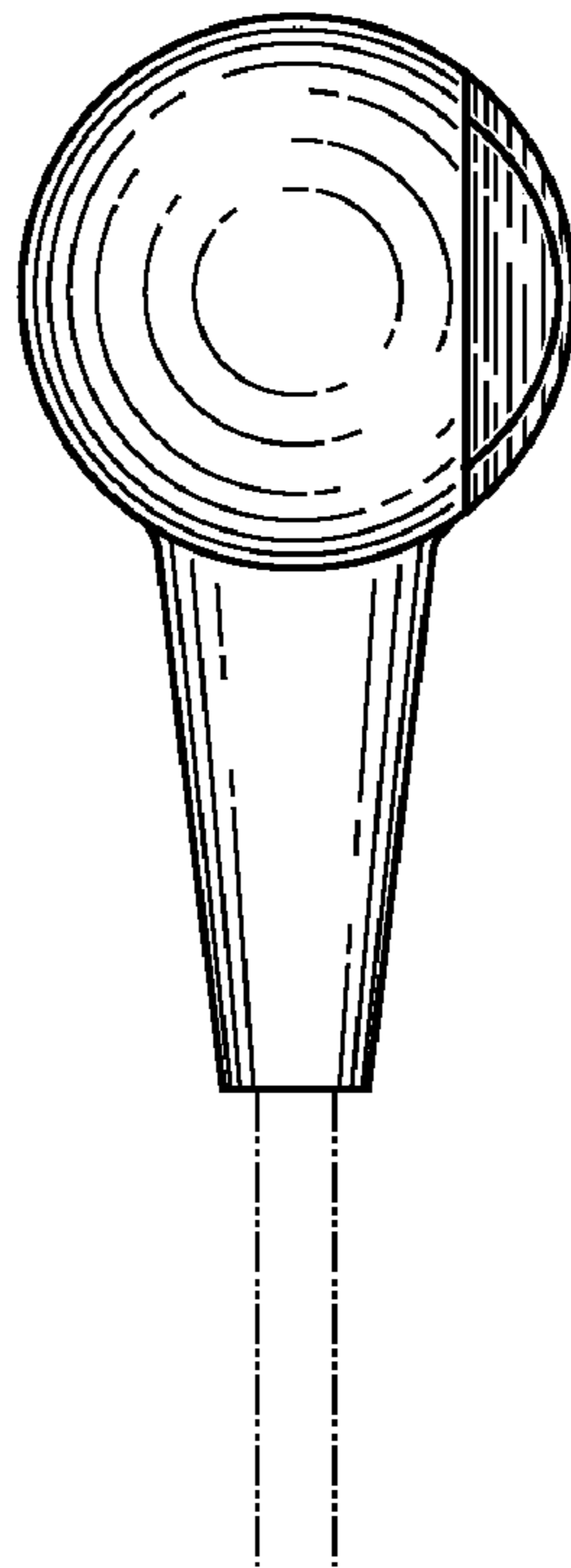


FIG. 6

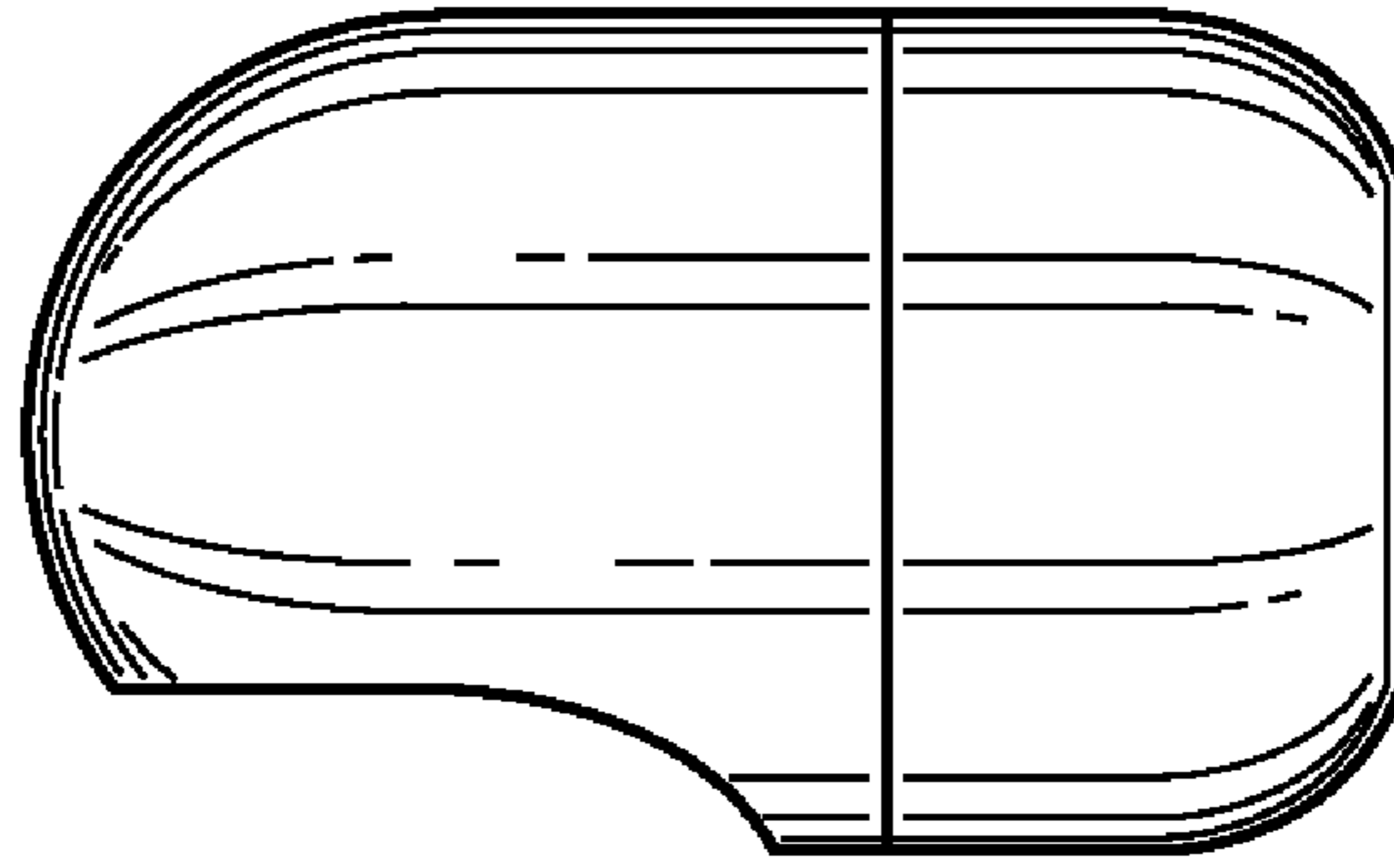


FIG. 7

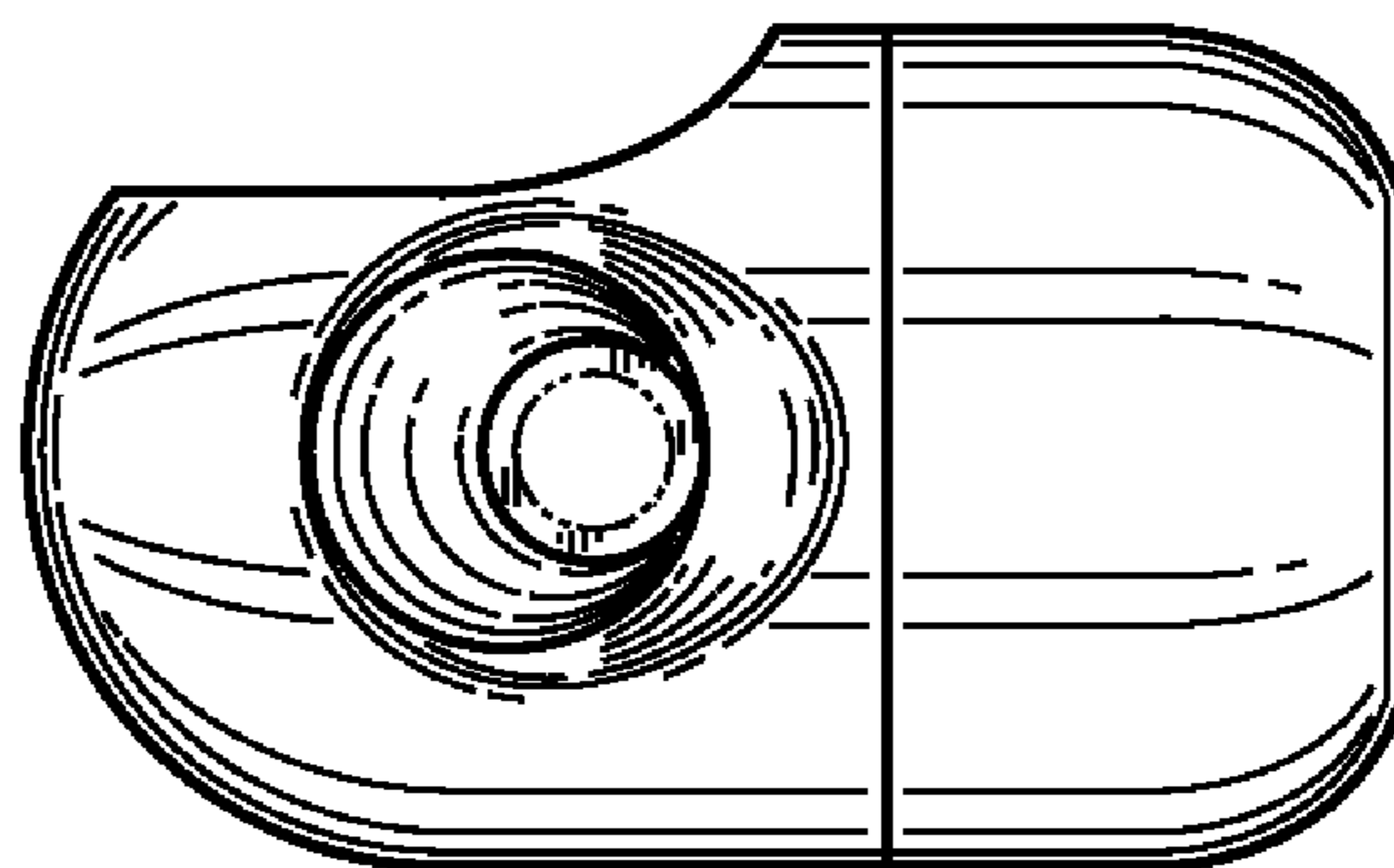


FIG. 8

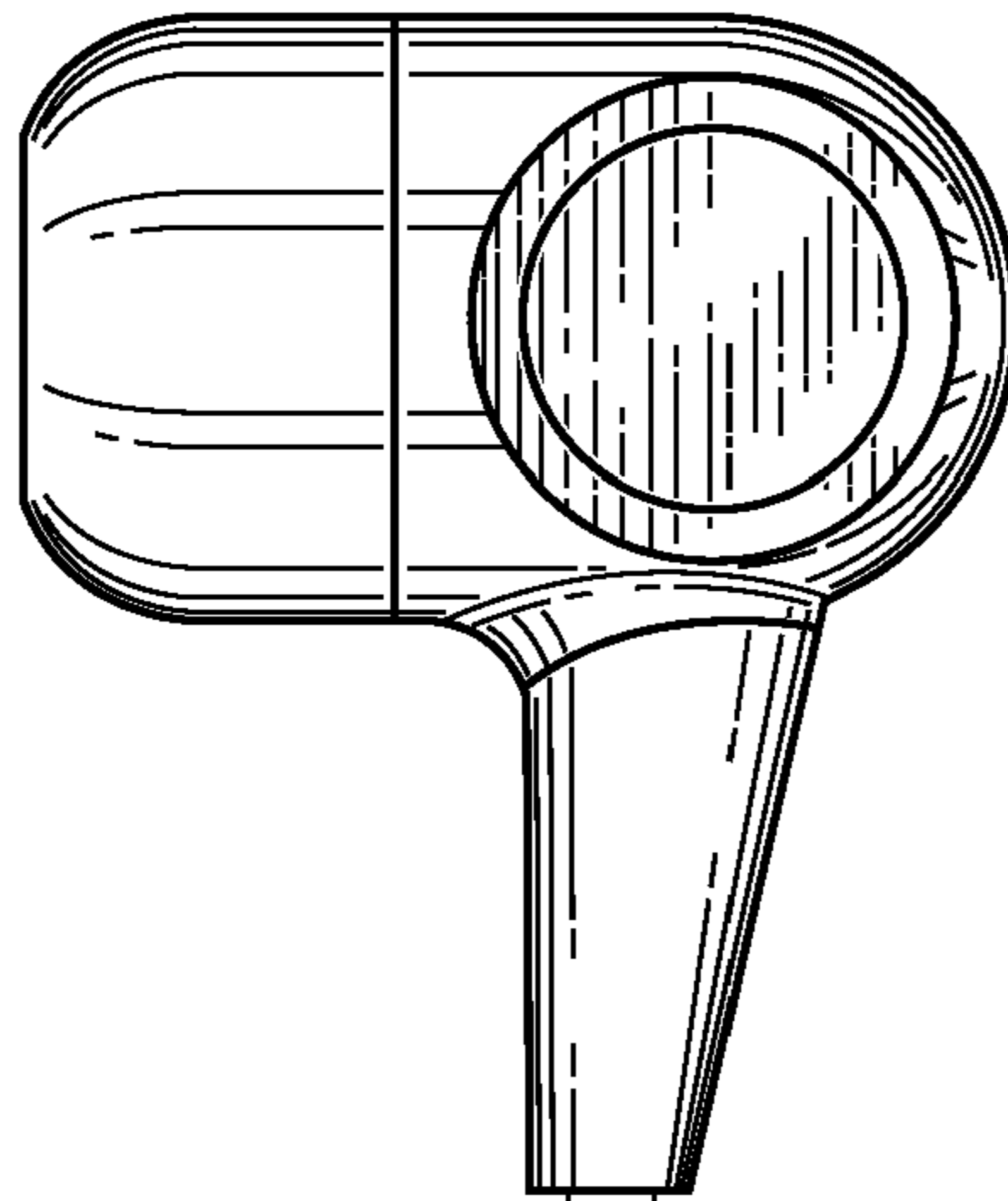


FIG. 9

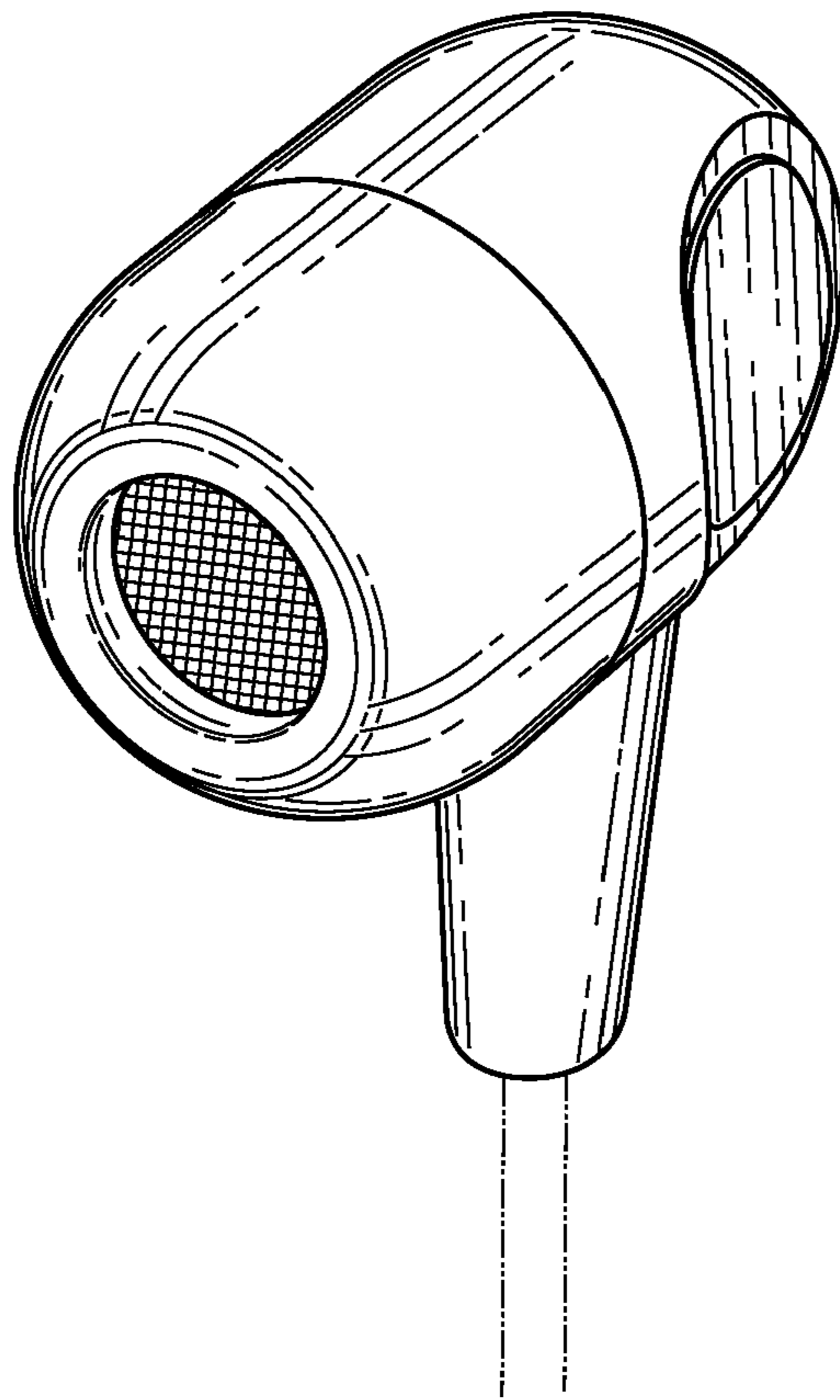


FIG. 10

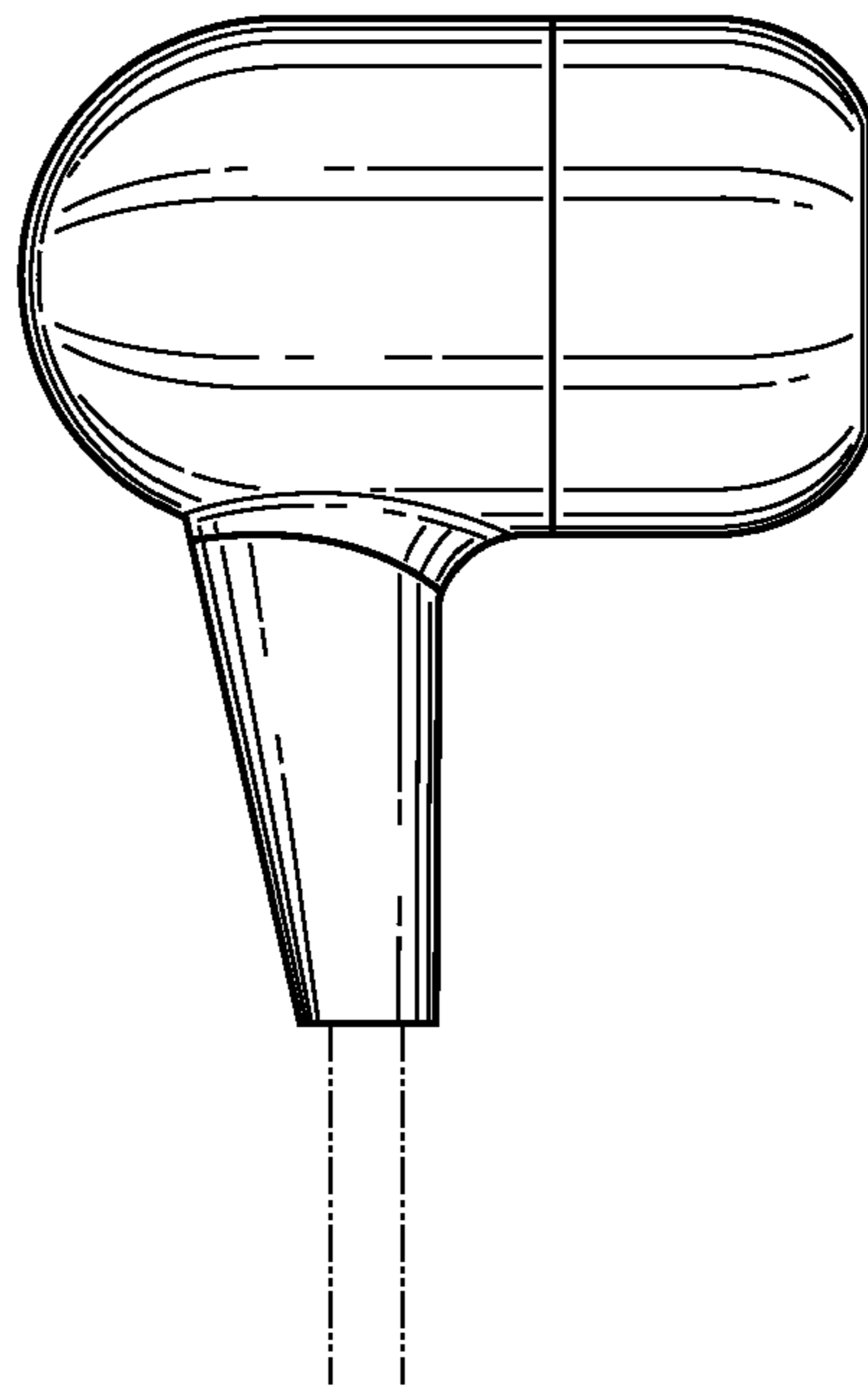


FIG. 11

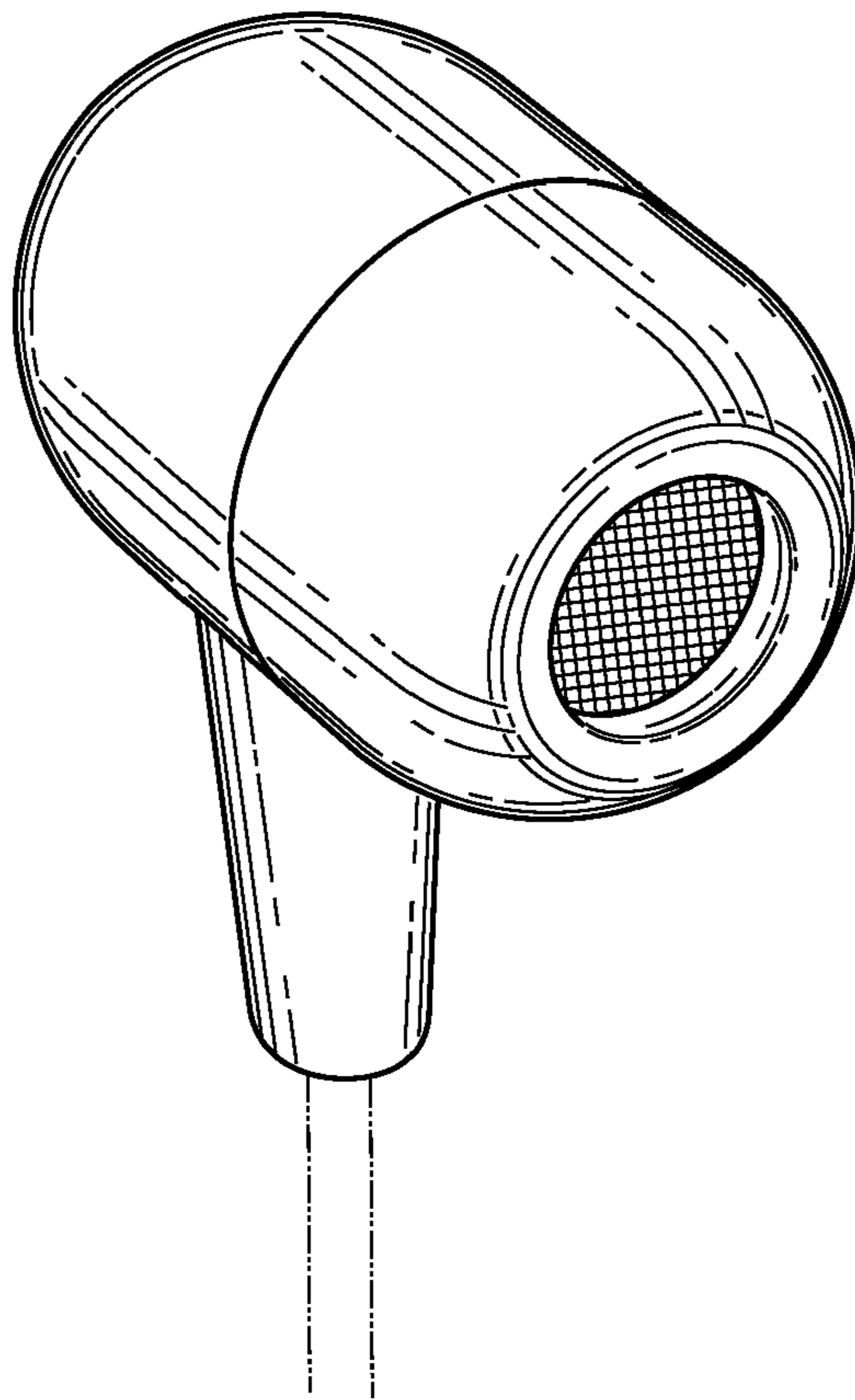


FIG. 12

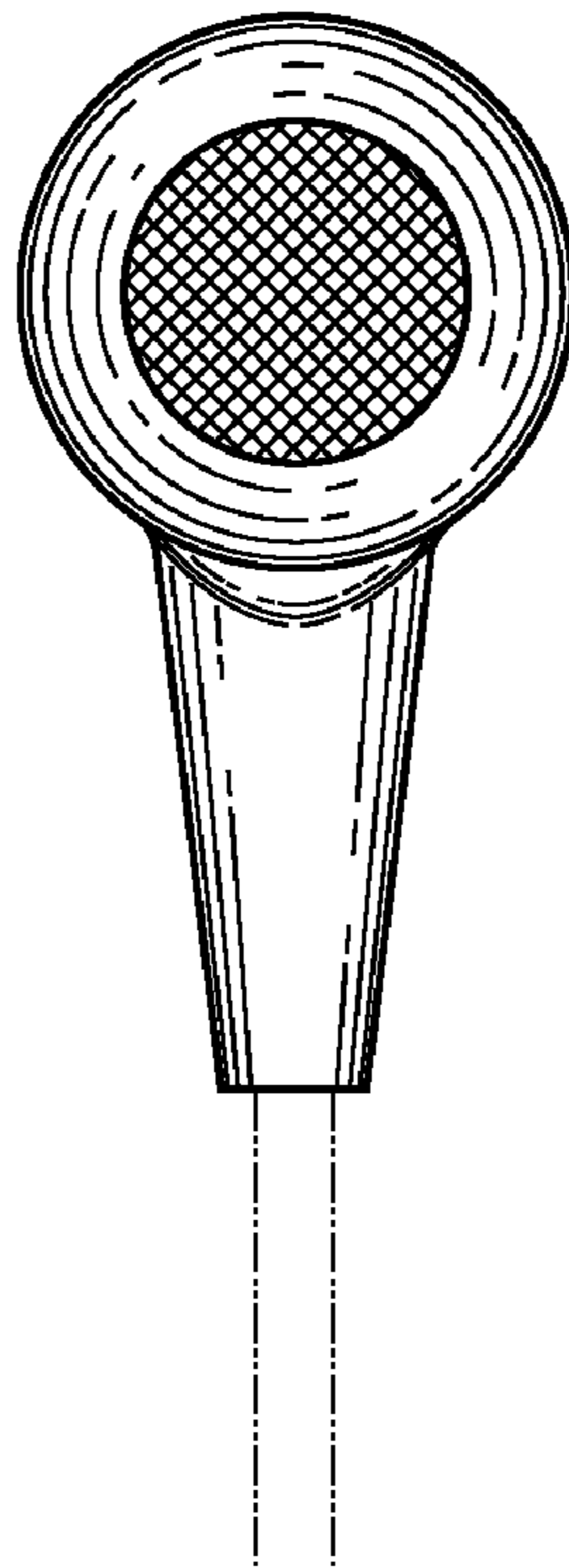


FIG. 13

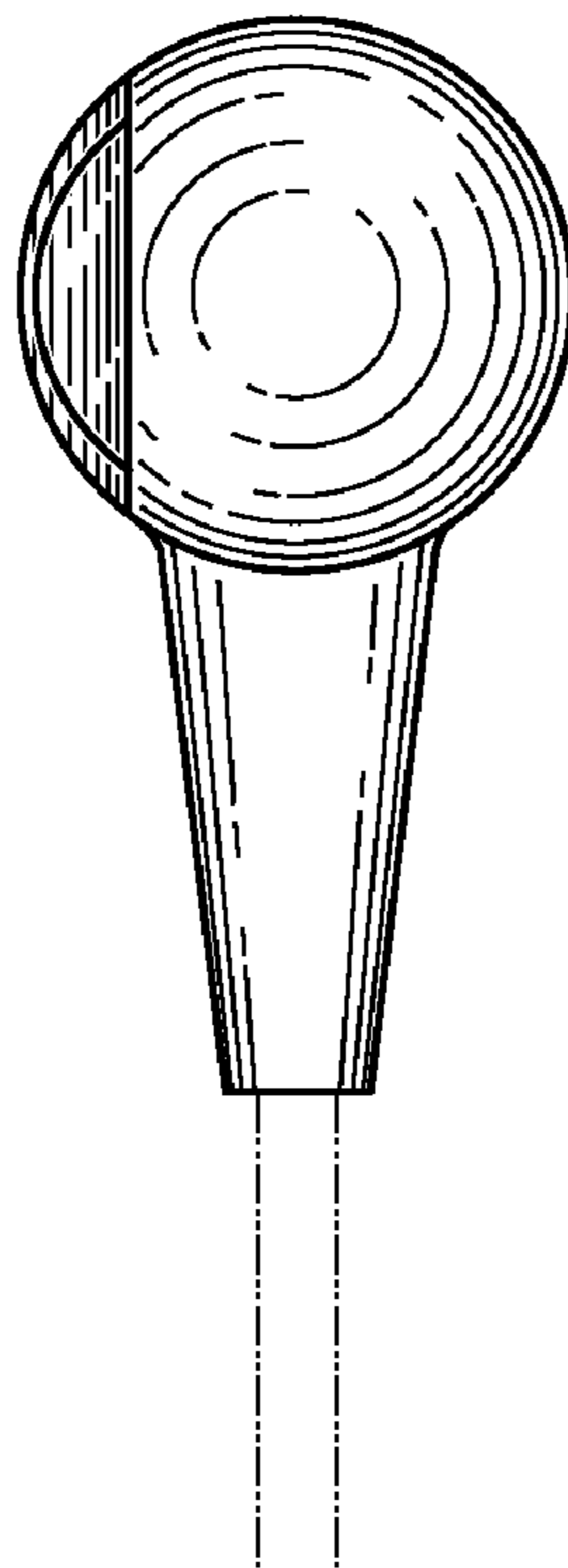


FIG. 14

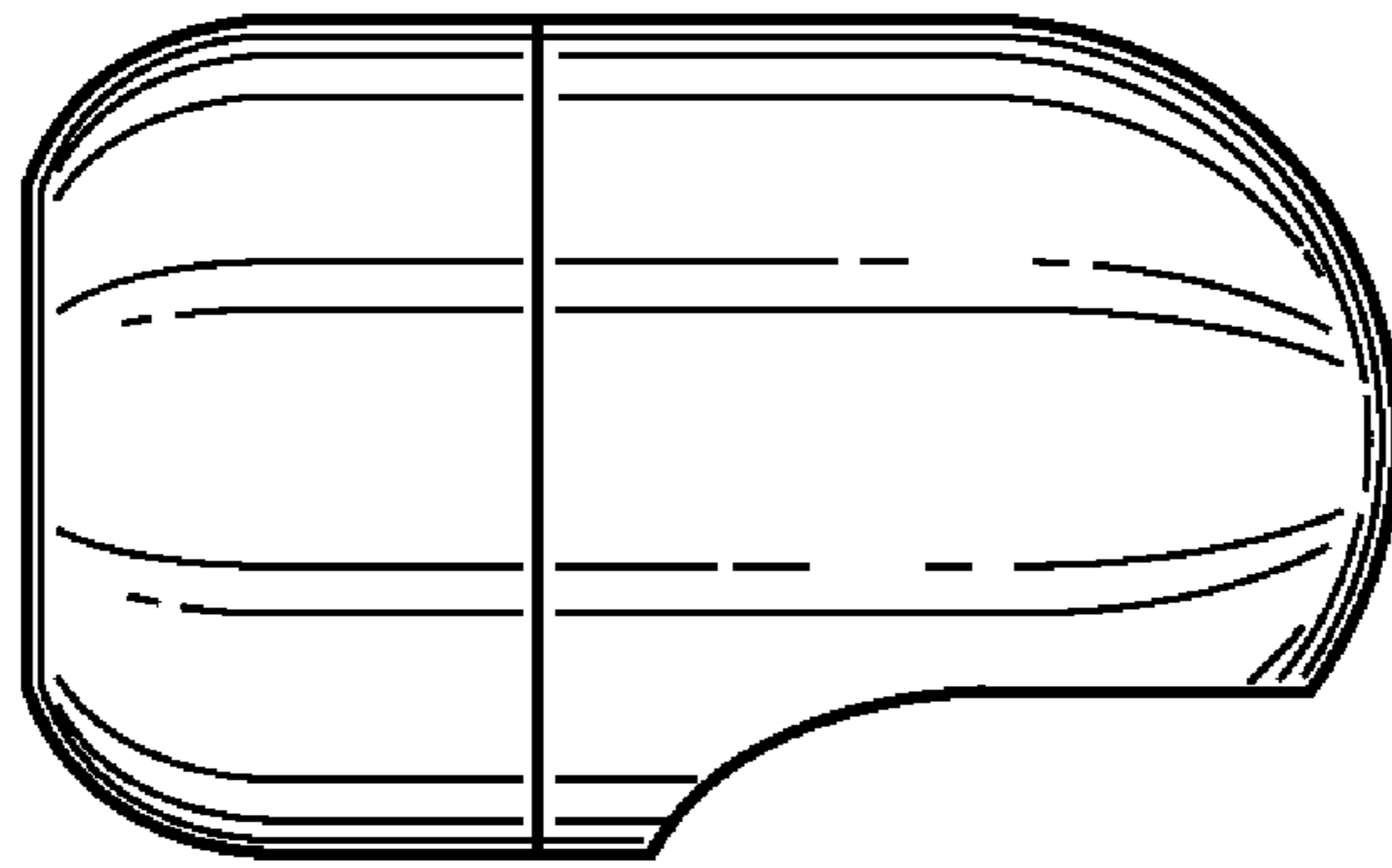


FIG. 15

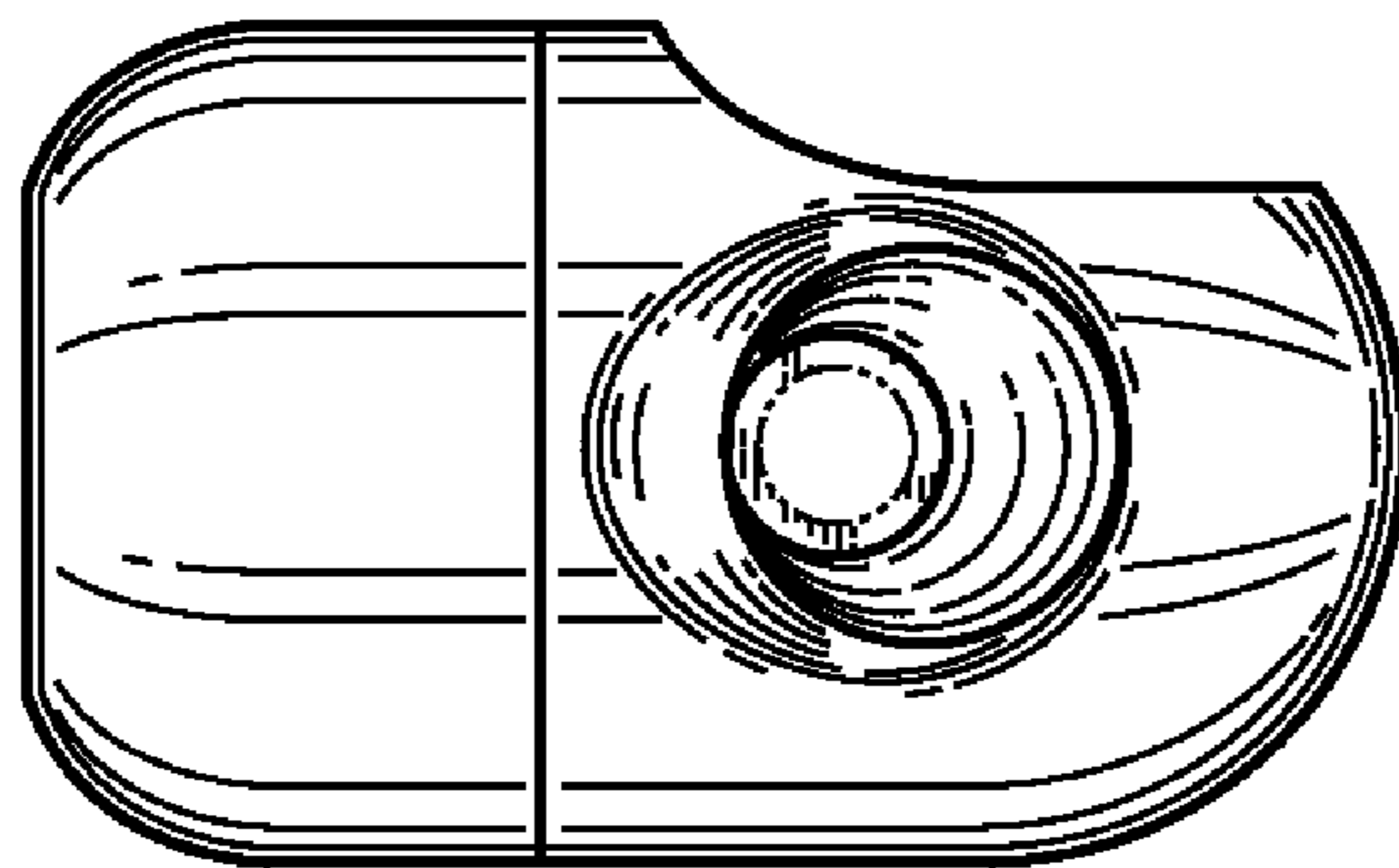


FIG. 16

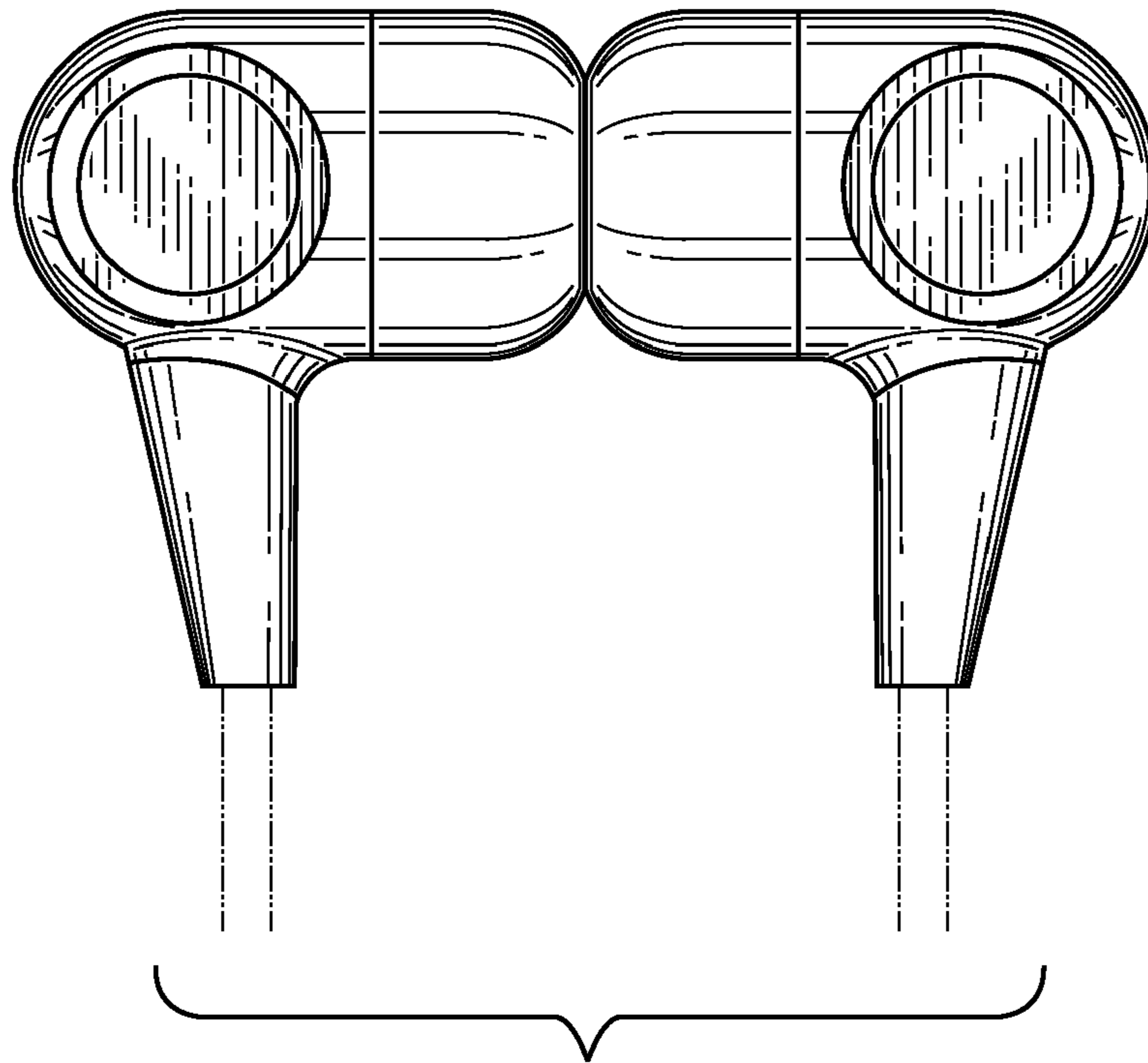


FIG. 17

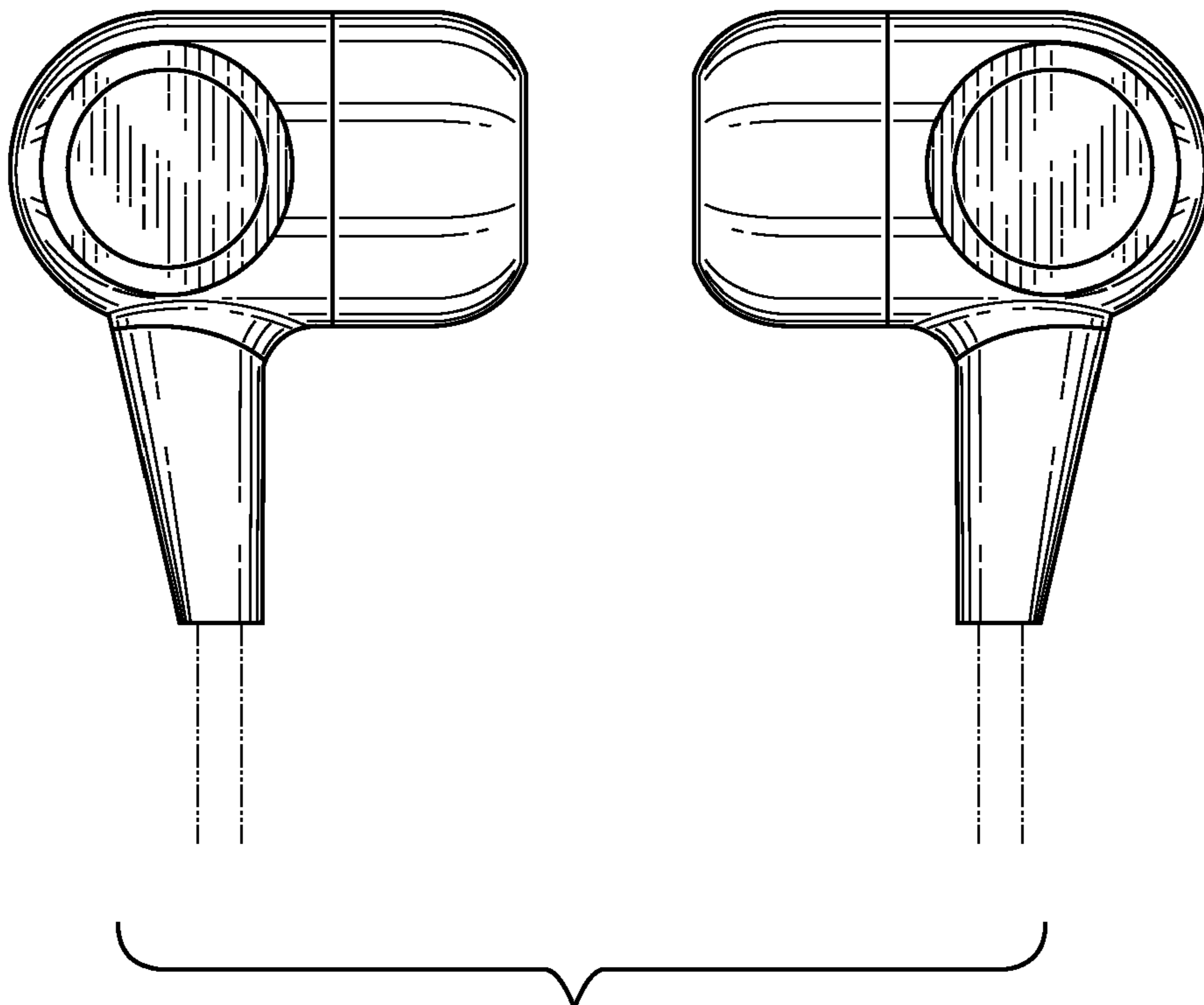


FIG. 18