



US00D616872S

(12) **United States Design Patent**  
**Stoddard et al.**

(10) **Patent No.:** **US D616,872 S**  
(45) **Date of Patent:** **\*\* Jun. 1, 2010**

(54) **JUMBO REMOTE CONTROL**

D568,299 S \* 5/2008 Tuli ..... D14/218

(75) Inventors: **Eric Stoddard**, Seongnam-si (KR);  
**Barry Messner**, Anaheim Hills, CA  
(US)

**OTHER PUBLICATIONS**

Innovage Jumbo Remote Control with Window Box; amazon.com.

\* cited by examiner

(73) Assignee: **MerchSource, LLC**, Foothill Ranch, CA  
(US)

*Primary Examiner*—T. Chase Nelson

*Assistant Examiner*—John Windmuller

(74) *Attorney, Agent, or Firm*—The Eclipse Group LLP

(\*\*) Term: **14 Years**

(57) **CLAIM**

(21) Appl. No.: **29/320,435**

We claim the ornamental design for a jumbo remote control,  
as shown and described.

(22) Filed: **Jun. 26, 2008**

(51) **LOC (9) Cl.** ..... **14-03**

**DESCRIPTION**

(52) **U.S. Cl.** ..... **D14/218**

FIG. 1 is a front view of a jumbo remote control being held by  
a person.

(58) **Field of Classification Search** ..... D14/218,

D14/455; D13/168; D21/566; D10/104,  
D10/106; 345/169; 348/14.05, 114, 211.99,  
348/734; 340/825.24; 341/22; 455/92, 95,  
455/128, 151.1–151.4, 352, 355, FOR. 121;  
700/65

FIG. 2 is a front perspective view of the jumbo remote control  
of FIG. 1, also being held by a person.

FIG. 3 is another front view of the jumbo remote control of  
FIG. 1.

See application file for complete search history.

FIG. 4 is another front perspective view of the jumbo remote  
control of FIG. 1.

(56) **References Cited**

**U.S. PATENT DOCUMENTS**

D271,201 S	*	11/1983	Nordberg	.....	D14/218
D307,888 S	*	5/1990	Ishida	.....	D14/346
D342,257 S	*	12/1993	Payne	.....	D14/218
D362,695 S	*	9/1995	Waldhelm	.....	D21/513
D382,271 S	*	8/1997	Akwivu	.....	D14/218
D434,012 S	*	11/2000	Krieser, Sr.	.....	D13/168
D475,993 S	*	6/2003	Meyer et al.	.....	D14/218
D492,283 S	*	6/2004	Adam	.....	D14/218
D551,215 S	*	9/2007	Lee et al.	.....	D14/218

FIG. 5 is a top view of the jumbo remote control of FIG. 1.

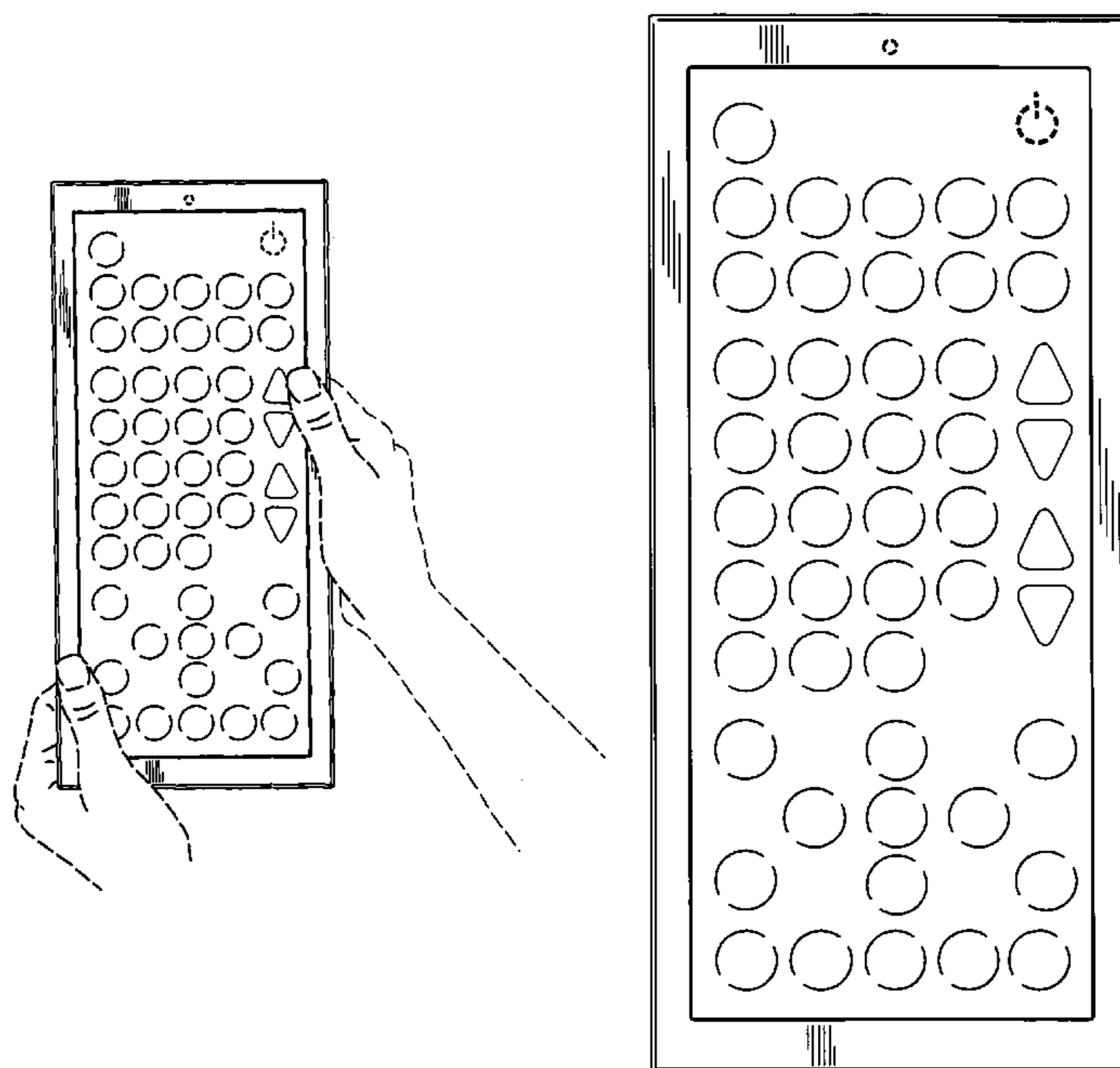
FIG. 6 is a bottom view of the jumbo remote control of FIG.  
1.

FIG. 7 is a side view of the jumbo remote control of FIG. 1, the  
other side being a mirror image; and,

FIG. 8 is a rear perspective view of the jumbo remote control  
of FIG. 1.

In the drawings, the broken lines depict environmental sub-  
ject matter only and form no part of the claimed design.

**1 Claim, 6 Drawing Sheets**



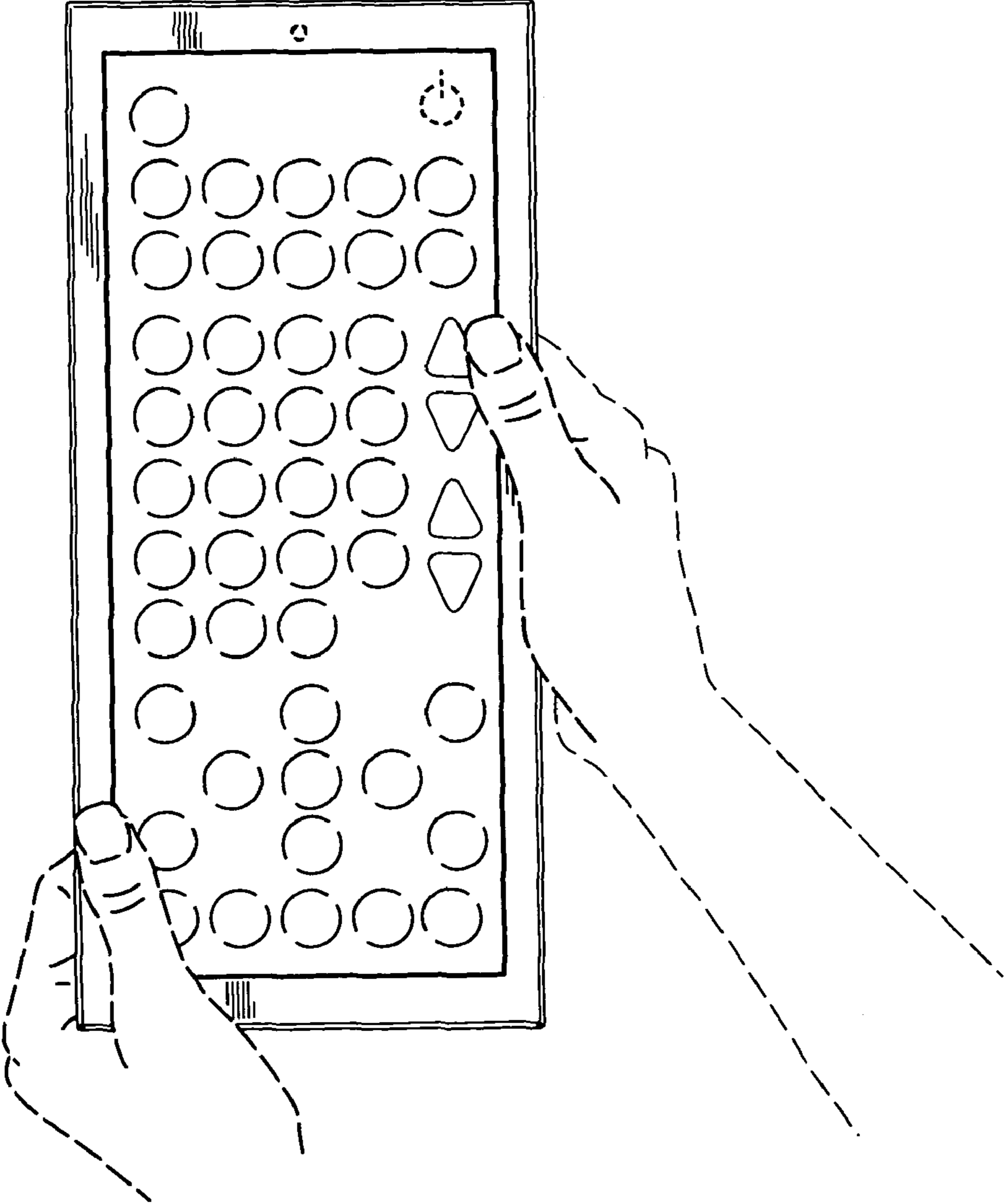


Fig. 1

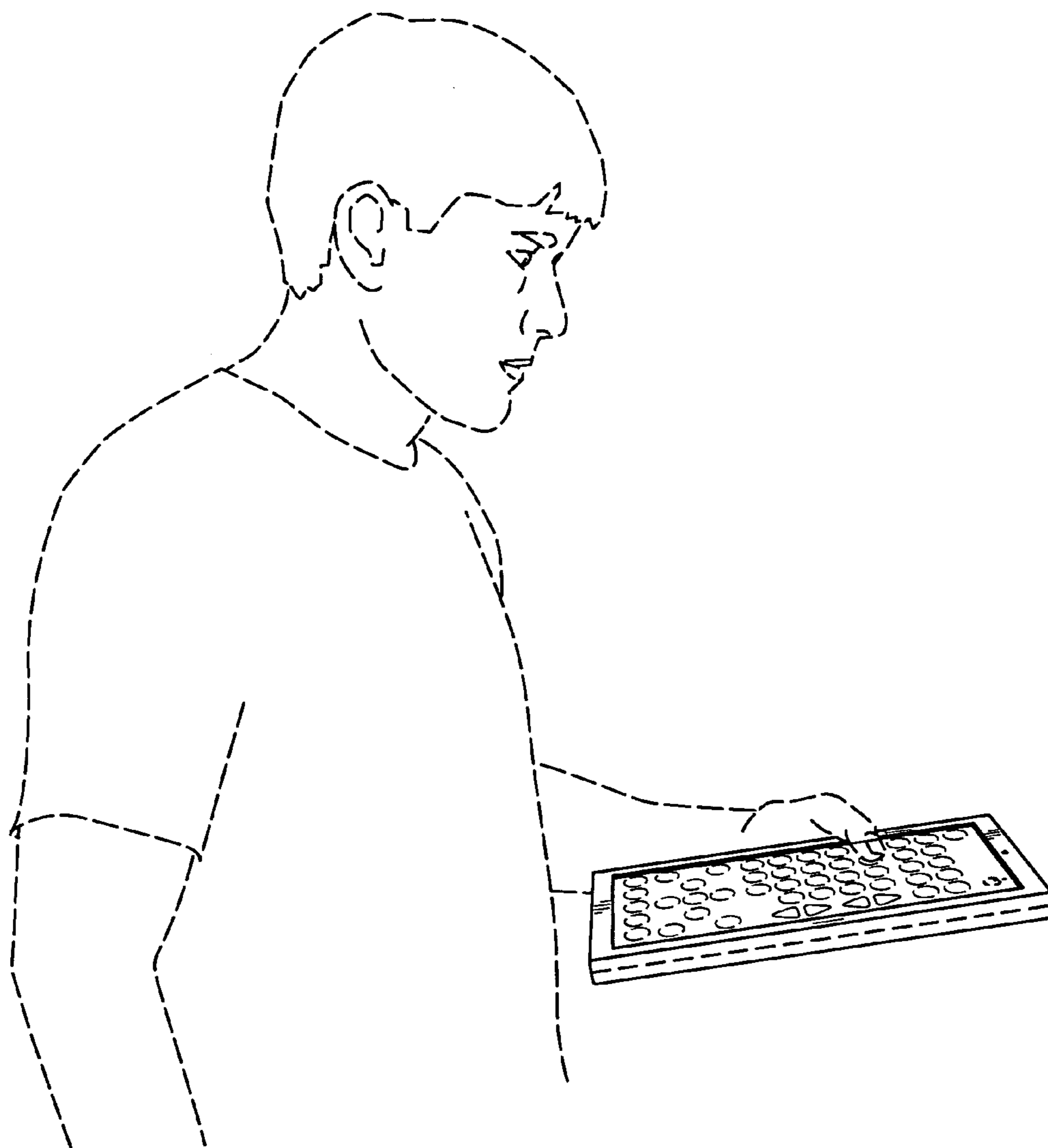


Fig. 2

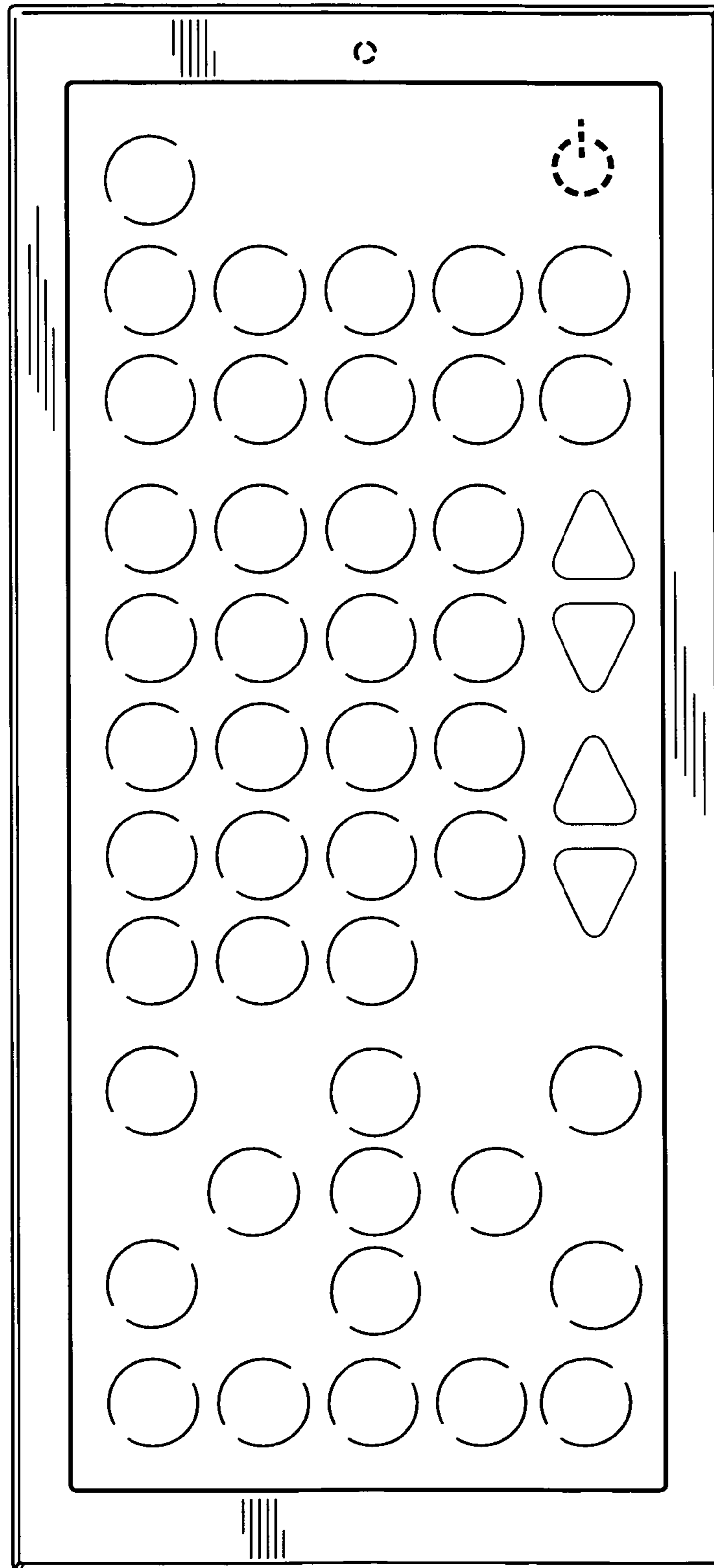


Fig. 3

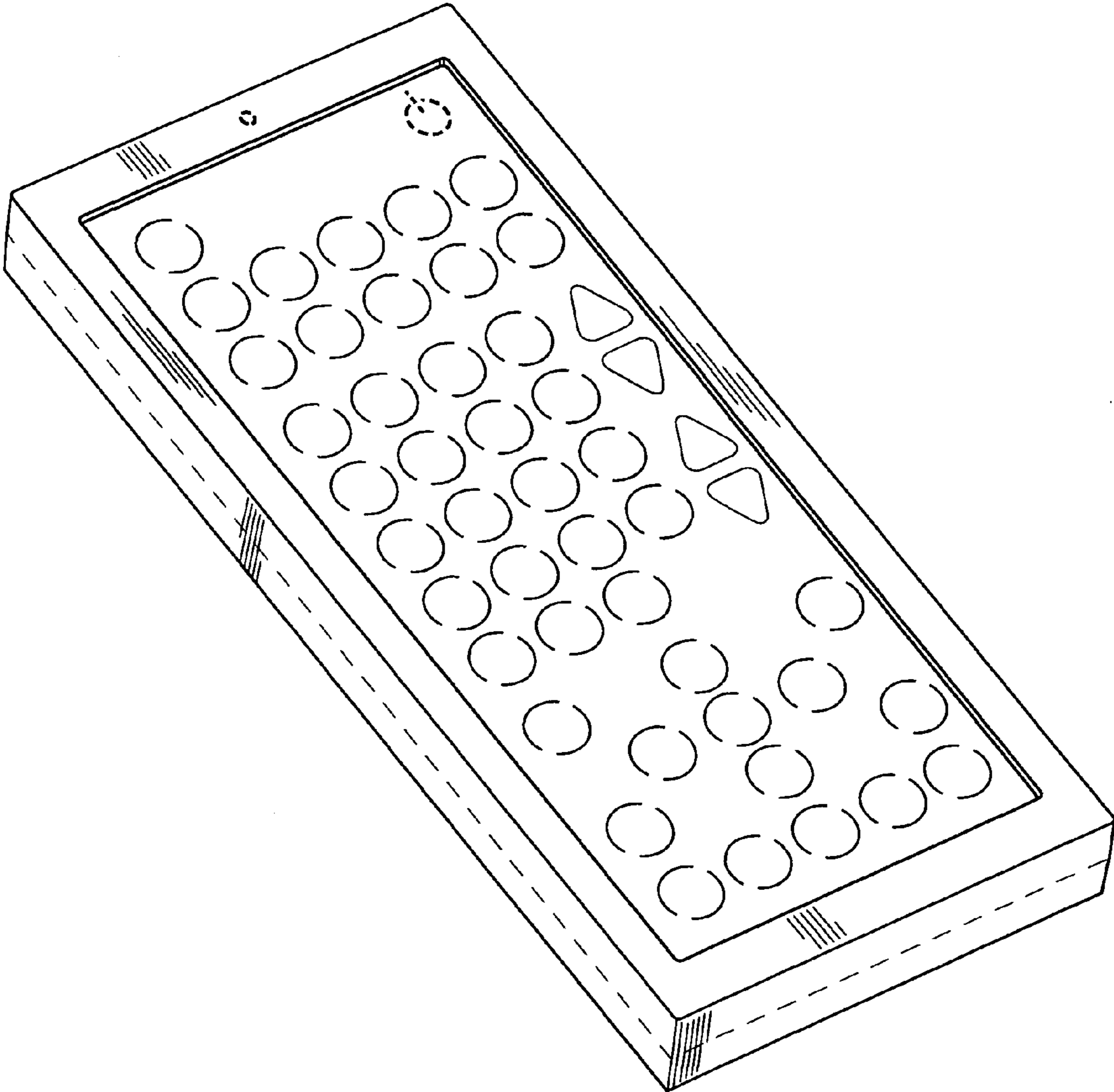


Fig. 4

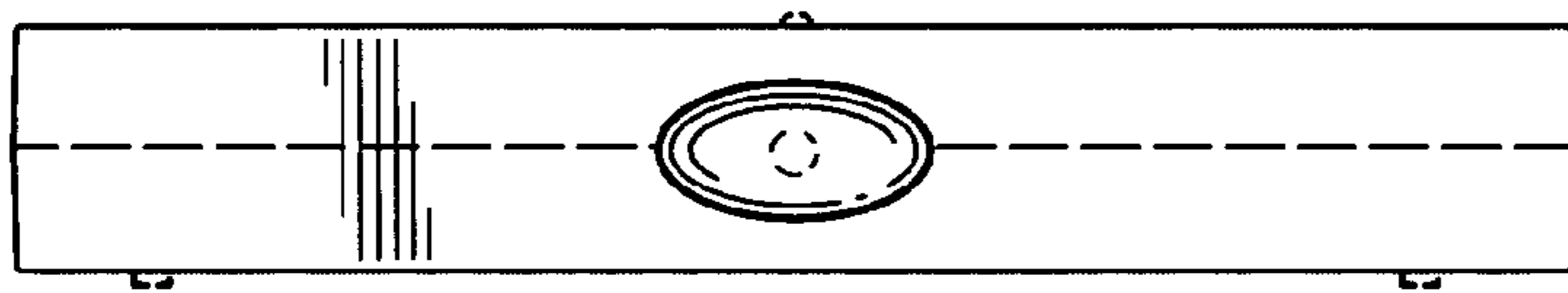


Fig. 5

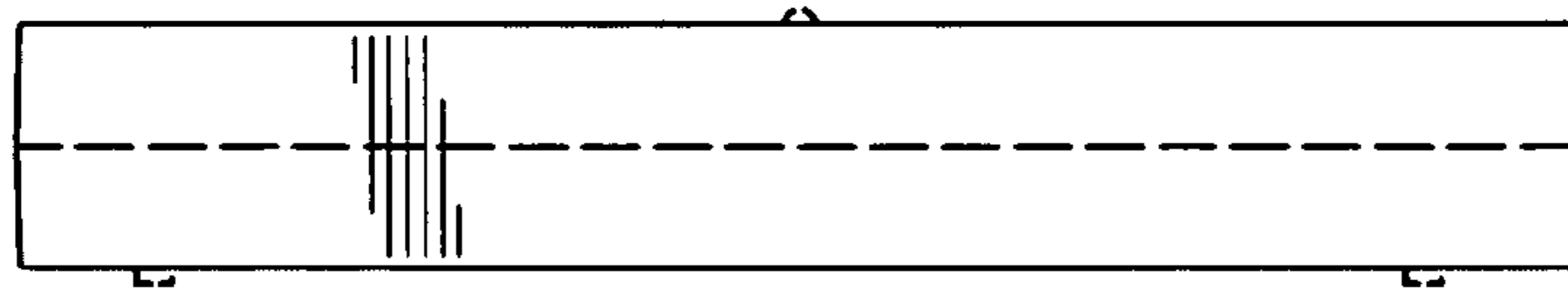


Fig. 6

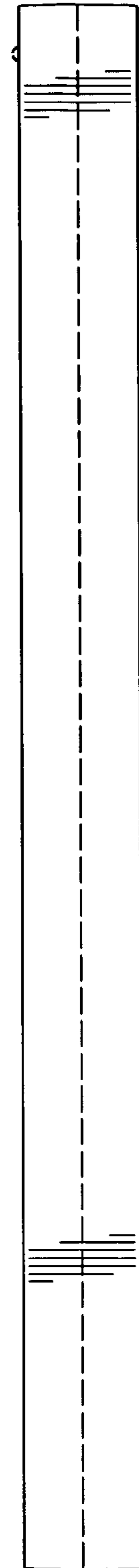


Fig. 7

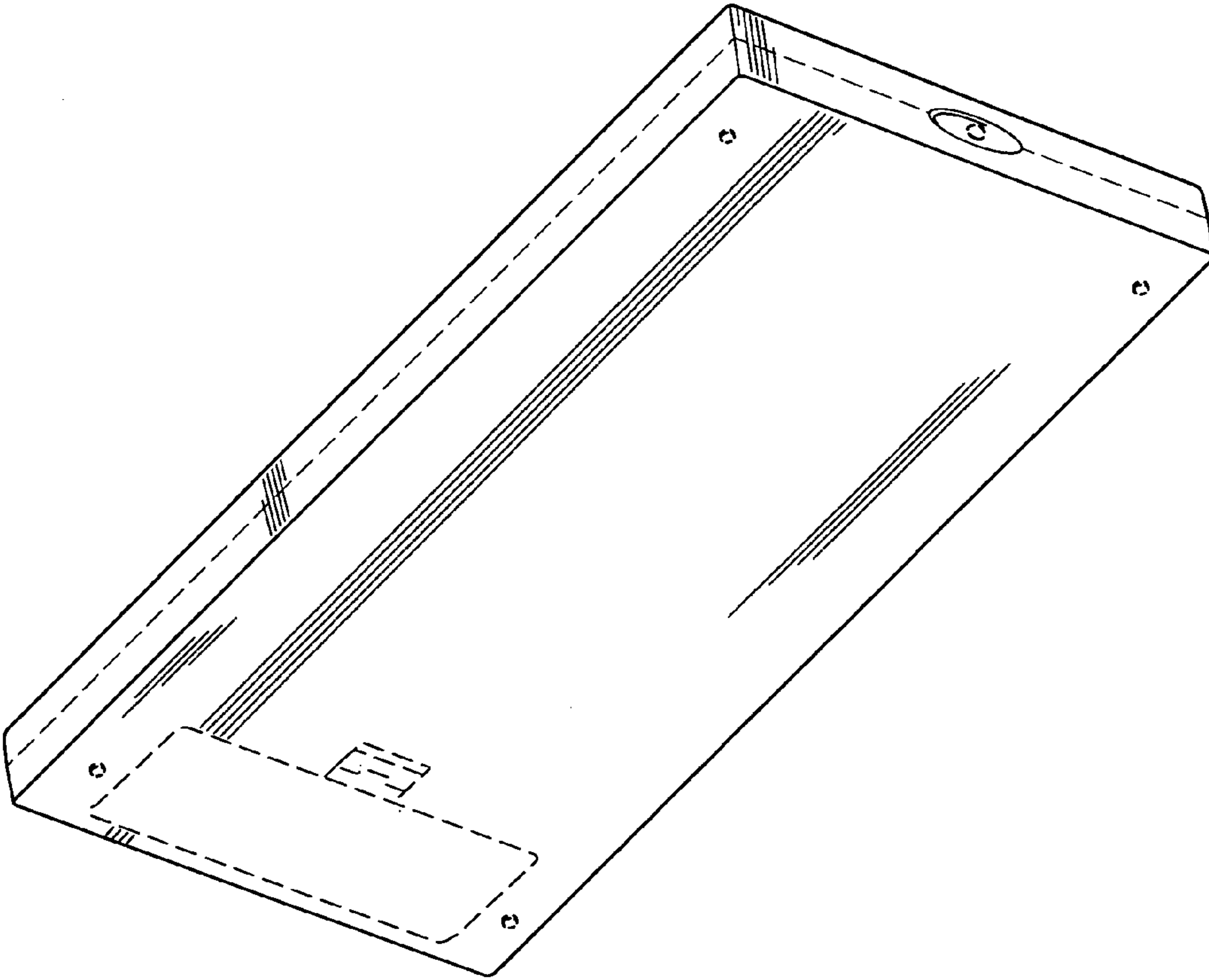


Fig. 8

UNITED STATES PATENT AND TRADEMARK OFFICE  
**CERTIFICATE OF CORRECTION**

PATENT NO. : Des. 616,872 S  
APPLICATION NO. : 29/320435  
DATED : June 1, 2010  
INVENTOR(S) : Stoddard et al.

Page 1 of 1

It is certified that error appears in the above-identified patent and that said Letters Patent is hereby corrected as shown below:

On the Title Page, Item (30) Foreign Application Priority Data:

The foreign application priority data is missing from the face of the patent and should be included as follows:

--Jul. 3, 2008 (CN) 200830052699.7--.

Signed and Sealed this

Seventh Day of September, 2010

A handwritten signature in black ink that reads "David J. Kappos". The signature is written in a cursive, flowing style.

David J. Kappos  
*Director of the United States Patent and Trademark Office*



UNITED STATES PATENT AND TRADEMARK OFFICE  
**CERTIFICATE OF CORRECTION**

PATENT NO. : D616,872 S  
APPLICATION NO. : 29/320435  
DATED : June 1, 2010  
INVENTOR(S) : Stoddard et al.

Page 1 of 1

It is certified that error appears in the above-identified patent and that said Letters Patent is hereby corrected as shown below:

On the Title Page, Item (30)

Foreign Application Priority Data:

The foreign application priority data should be included as follows:

--Jul. 3, 2008 (CN) 200830052699.7--.

Signed and Sealed this  
Eighth Day of February, 2011

A handwritten signature in black ink that reads "David J. Kappos". The signature is written in a cursive style with a large initial 'D' and 'K'.

David J. Kappos  
*Director of the United States Patent and Trademark Office*