



US00D616870S

(12) **United States Design Patent**  
**Choo et al.**

(10) **Patent No.:** **US D616,870 S**  
(45) **Date of Patent:** **\*\* \*Jun. 1, 2010**

(54) **REMOTE CONTROL DEVICE**

(75) Inventors: **Say Leong Choo**, Sungai Petani (MY);  
**Mariah K. Levitt**, Fort Lauderdale, FL  
(US); **Kwang Yew Lim**, Melaka (MY);  
**Yin Bee Oon**, Kuching (MY); **Scott H.**  
**Richards**, Plantation, FL (US)

(73) Assignee: **Motorola, Inc.**, Schaumburg, IL (US)

(\*) Notice: This patent is subject to a terminal disclaimer.

(\*\*) Term: **14 Years**

(21) Appl. No.: **29/318,959**

(22) Filed: **May 31, 2008**

(51) **LOC (9) Cl.** ..... **14-03**  
(52) **U.S. Cl.** ..... **D14/218**  
(58) **Field of Classification Search** ..... D14/218,  
D14/455, 137, 139; D13/168; D21/566;  
D10/104, 106; 345/169; 348/14.05, 114,  
348/211.99, 743; 340/825.24; 341/22; 455/92,  
455/95, 128, 151.1–151.4, 352, 355, FOR. 121;  
700/65

See application file for complete search history.

(56) **References Cited**

**U.S. PATENT DOCUMENTS**

D255,563 S \* 6/1980 Brooksby et al. .... D13/168  
D260,520 S \* 9/1981 Nagele ..... D14/139  
D309,889 S \* 8/1990 Cheng ..... D13/168  
D310,063 S \* 8/1990 Cheng ..... D13/137.3

D338,011 S \* 8/1993 Carter et al. .... D14/218  
D405,424 S \* 2/1999 Winkler et al. .... D13/168  
D413,579 S \* 9/1999 Mullet et al. .... D13/168  
D460,053 S \* 7/2002 Choi ..... D13/168  
D478,605 S \* 8/2003 Guzman et al. .... D13/168  
D514,527 S \* 2/2006 DiPasquale ..... D13/168  
7,541,774 B2 \* 6/2009 Zedell et al. .... 320/114  
2007/0087780 A1 \* 4/2007 Nassimi ..... 455/556.1

\* cited by examiner

*Primary Examiner*—T. Chase Nelson  
*Assistant Examiner*—John Windmuller

(74) *Attorney, Agent, or Firm*—Barbara R. Doutré

(57) **CLAIM**

The ornamental design for a remote control device, as shown and described.

**DESCRIPTION**

FIG. 1 is a perspective view of an ornamental design for a remote control device;

FIG. 2 is a front view thereof;

FIG. 3 is a rear view thereof;

FIG. 4 is a first side view thereof;

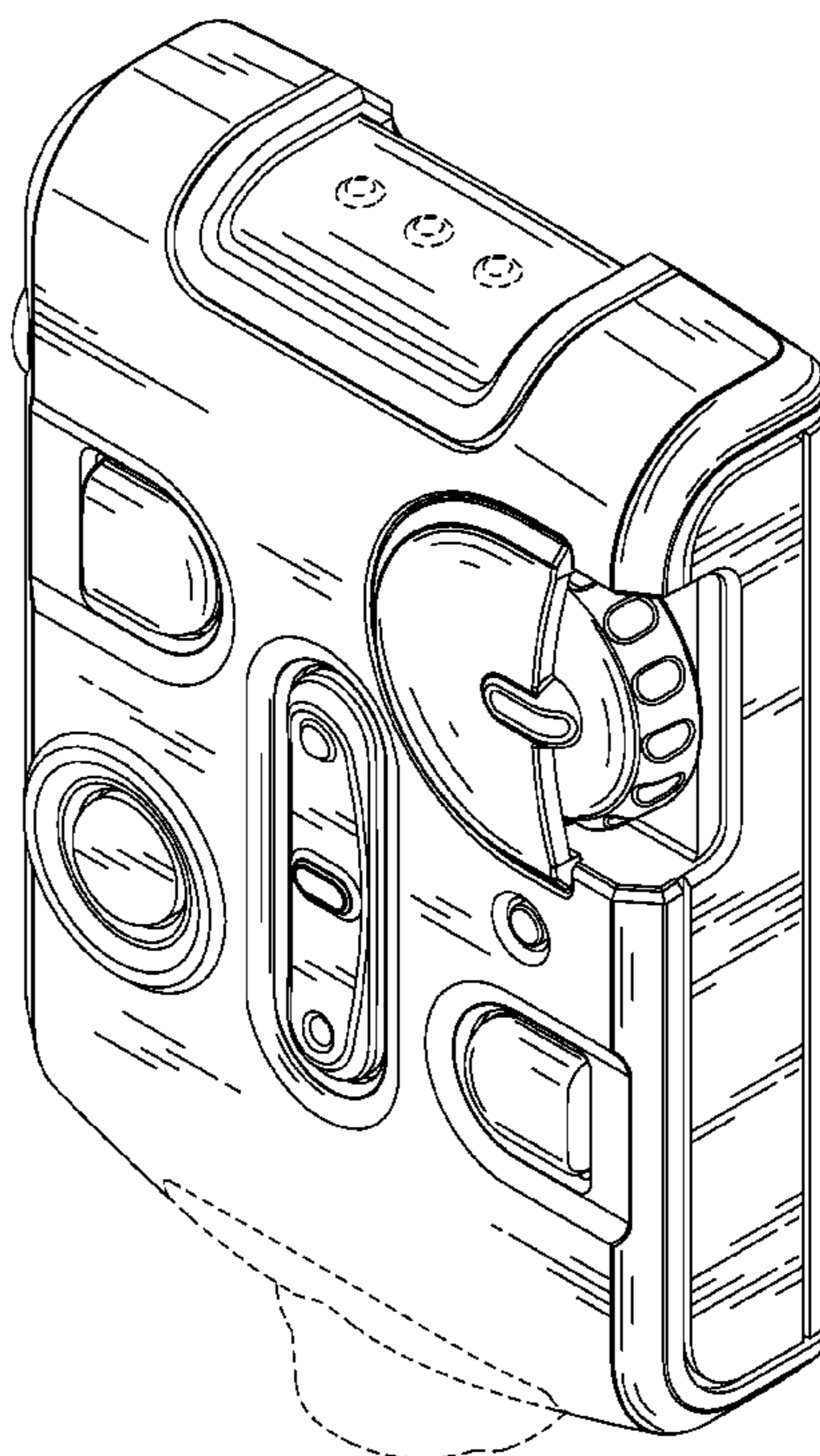
FIG. 5 is a second side view thereof;

FIG. 6 is a top view thereof; and,

FIG. 7 is a bottom view thereof.

The broken line in FIGS. 1–7 showing environmental structures is for illustrative purposes and forms no part of the claim design.

**1 Claim, 5 Drawing Sheets**



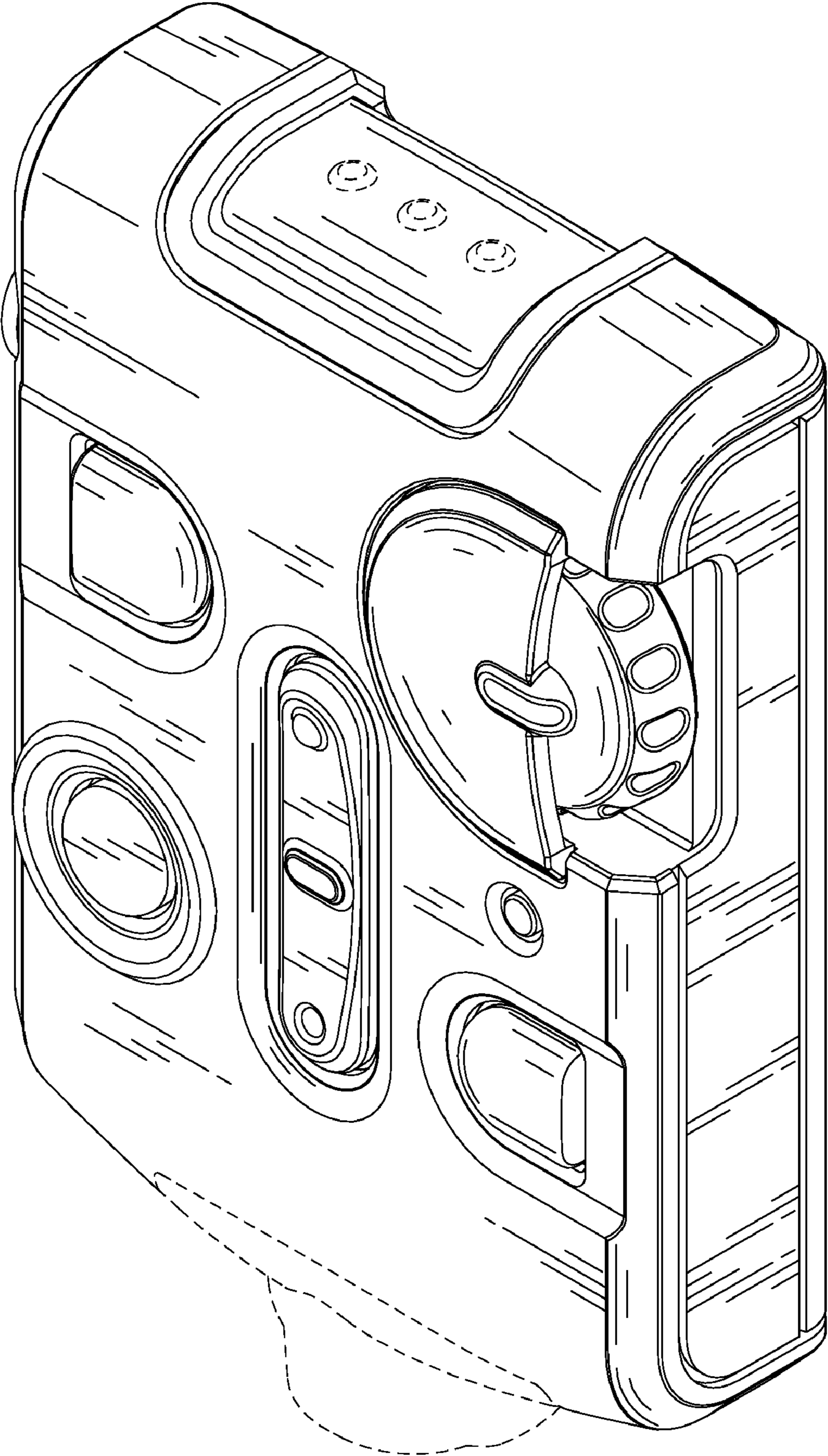


FIG. 1

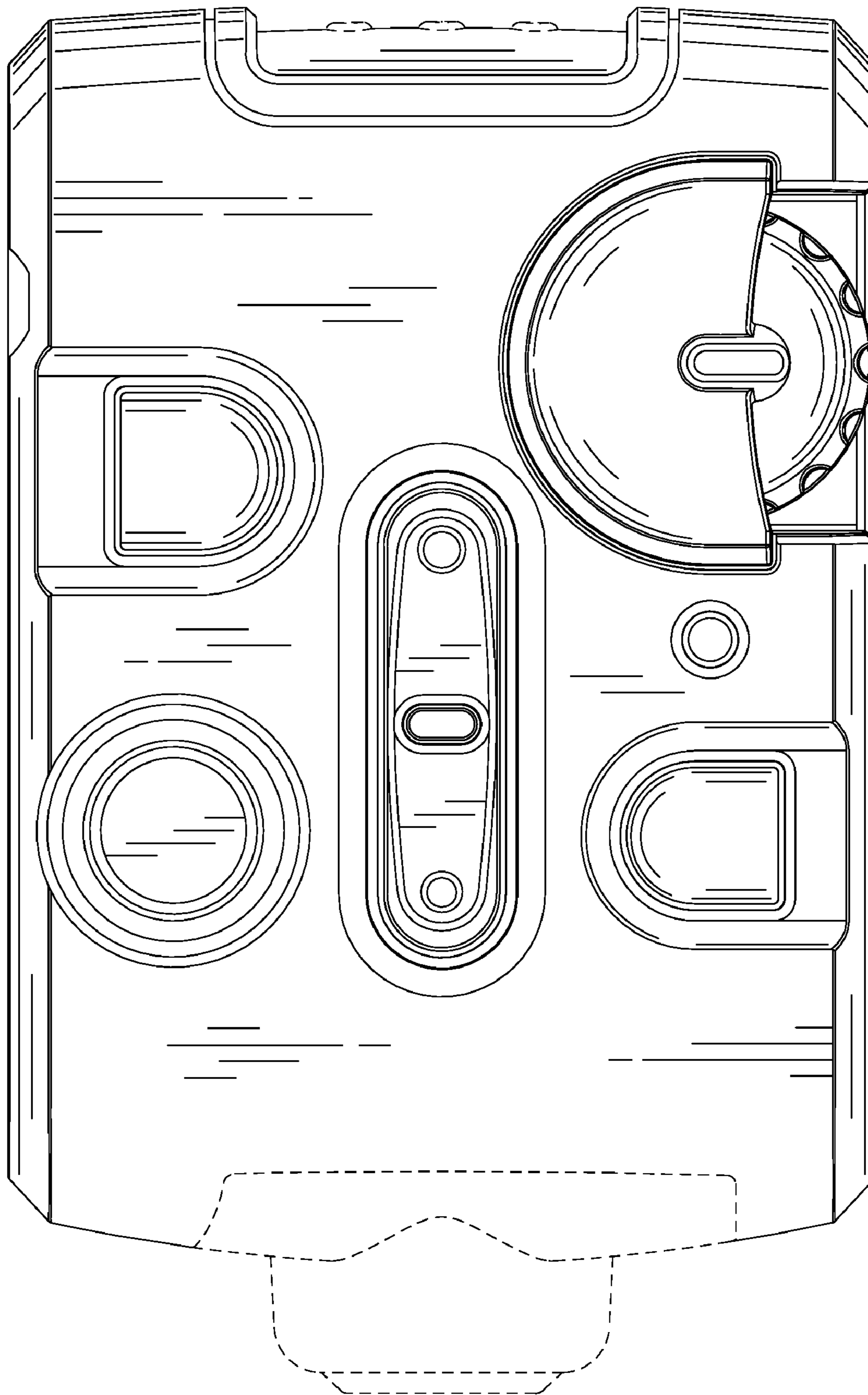


FIG. 2

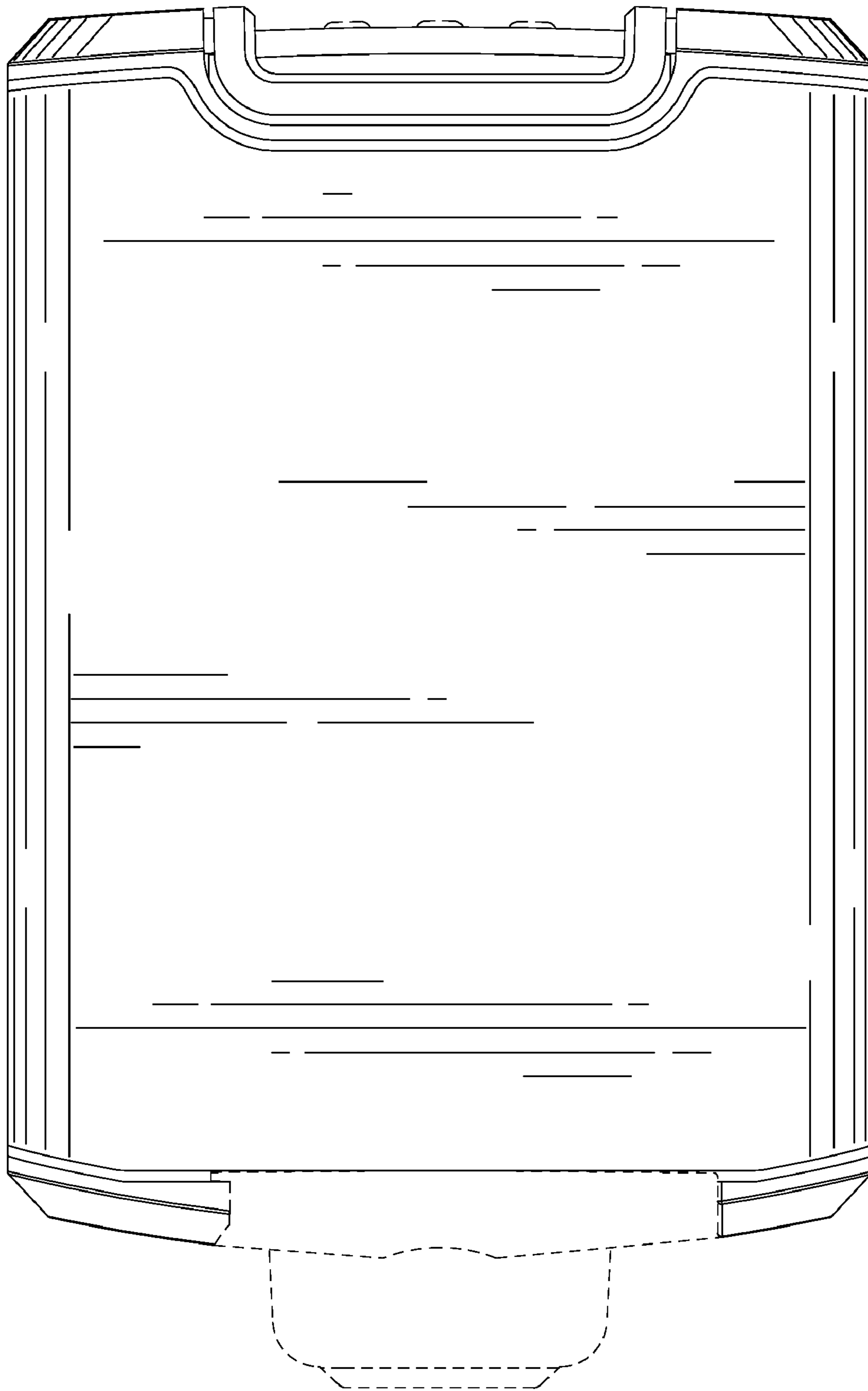


FIG. 3

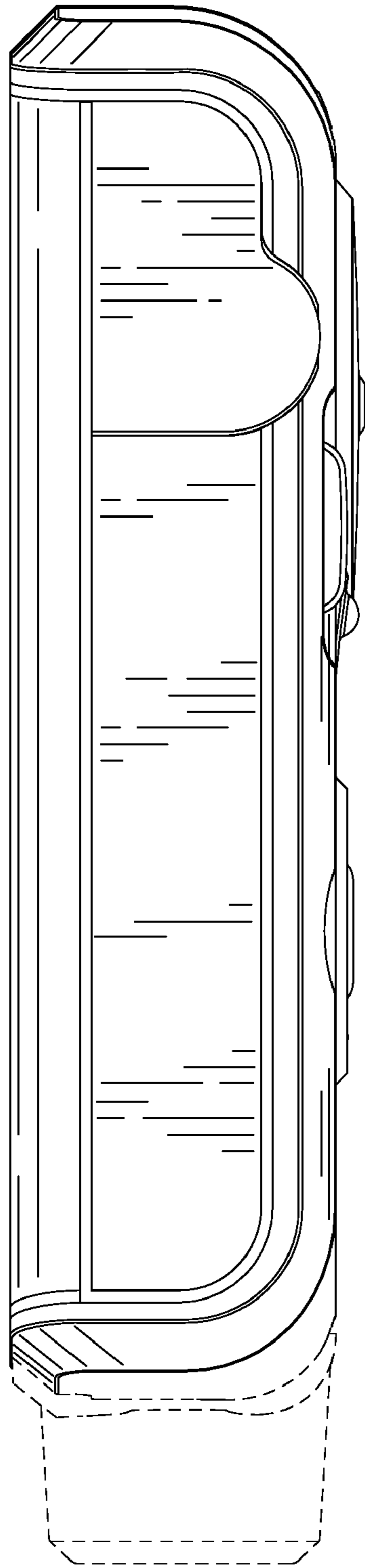


FIG. 4

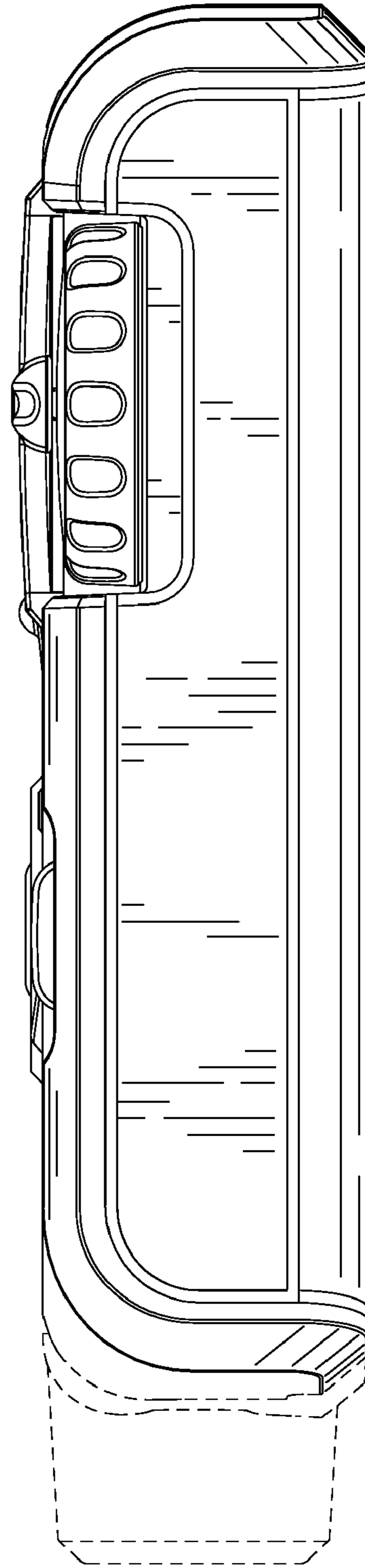


FIG. 5

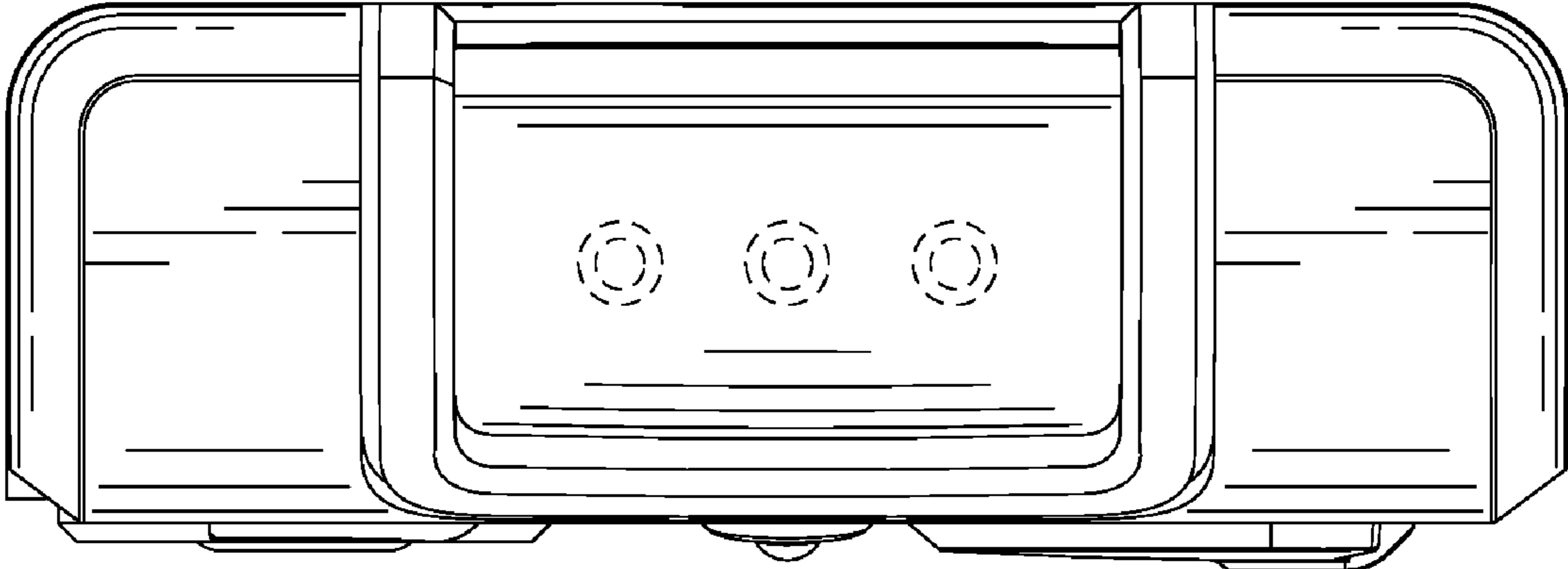


FIG. 6

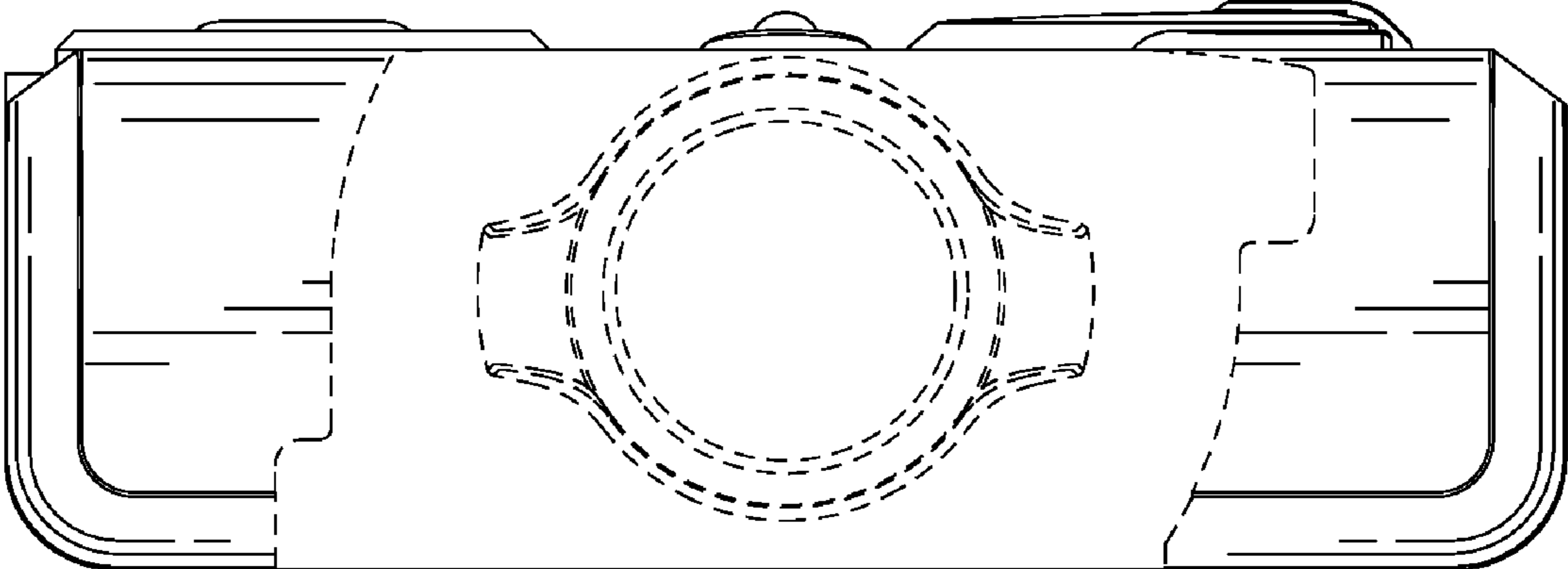


FIG. 7