



US00D616865S

(12) **United States Design Patent**
Marchand et al.

(10) **Patent No.:** **US D616,865 S**
(45) **Date of Patent:** **** Jun. 1, 2010**

(54) **HEADPHONE**

(75) Inventors: **Nicholas Stephen Marchand**, Singapore (SG); **Rudy Kurniawan Tedja**, Singapore (SG)

(73) Assignee: **Creative Technology Ltd**, Singapore (SG)

(**) Term: **14 Years**

(21) Appl. No.: **29/339,624**

(22) Filed: **Jul. 2, 2009**

(30) **Foreign Application Priority Data**

Jan. 7, 2009 (SG) D2009/00/B

(51) **LOC (9) Cl.** **14-01**

(52) **U.S. Cl.** **D14/205**

(58) **Field of Classification Search** D14/205, D14/206, 223, 188, 192, 165, 168, 137; 181/129, 181/130, 137, 175; D29/112; 128/866; 381/309, 381/310, 370, 374, 383, 378; 379/430
See application file for complete search history.

(56) **References Cited**

U.S. PATENT DOCUMENTS

D229,833 S *	1/1974	Becker	D14/205
3,811,371 A *	5/1974	Hardy	454/53
D237,307 S *	10/1975	Miyamoto et al.	D14/192
3,984,885 A *	10/1976	Yoshimura et al.	381/309
D254,616 S *	4/1980	Tabata	D14/205
D266,417 S *	10/1982	Perez	D14/165
D317,767 S *	6/1991	Banks	D14/205
D328,074 S *	7/1992	Yamazaki et al.	D14/205

D336,646 S *	6/1993	Yamazaki et al.	D14/205
D386,181 S *	11/1997	Fisher	D14/205
D411,200 S *	6/1999	Almqvist	D14/192
D413,413 S *	8/1999	Dillon et al.	D29/112
D491,163 S *	6/2004	Green	D14/205
7,072,483 B2 *	7/2006	Lenhard-Backhaus	381/383
D538,261 S *	3/2007	Taylor et al.	D14/205
D573,581 S *	7/2008	Gondo et al.	D14/205
D585,483 S *	1/2009	Sakabe	D14/205
D585,871 S *	2/2009	Lee	D14/205
D606,970 S *	12/2009	Semcken	D14/205

* cited by examiner

Primary Examiner—Paula Greene

(57) **CLAIM**

The ornamental design for a headphone, substantially as shown and described.

DESCRIPTION

FIG. 1 is a left perspective view of the headphone in accordance with the present design;

FIG. 2 is a right perspective view of the headphone in accordance with the present design;

FIG. 3 is an exploded perspective view of FIG. 1;

FIG. 4 is an exploded perspective view of FIG. 2;

FIG. 5 is a front view of the headphone shown in FIG. 1;

FIG. 6 is a back view of the headphone shown in FIG. 1;

FIG. 7 is a left view of the headphone shown in FIG. 1;

FIG. 8 is a right view of the headphone shown in FIG. 1;

FIG. 9 is a top view of the headphone shown in FIG. 1; and,

FIG. 10 is a bottom view of the headphone shown in FIG. 1.

1 Claim, 7 Drawing Sheets

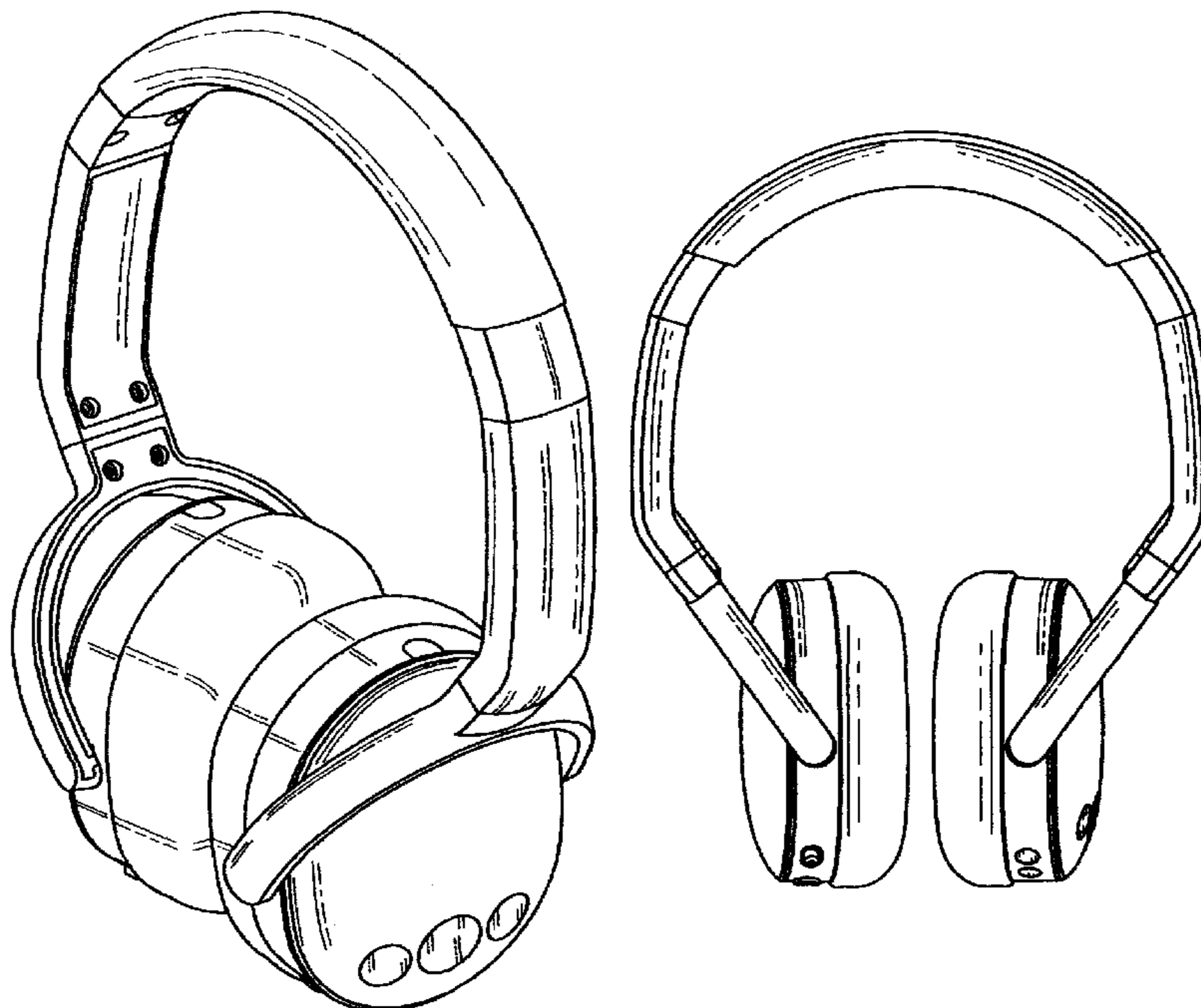




FIG. 1

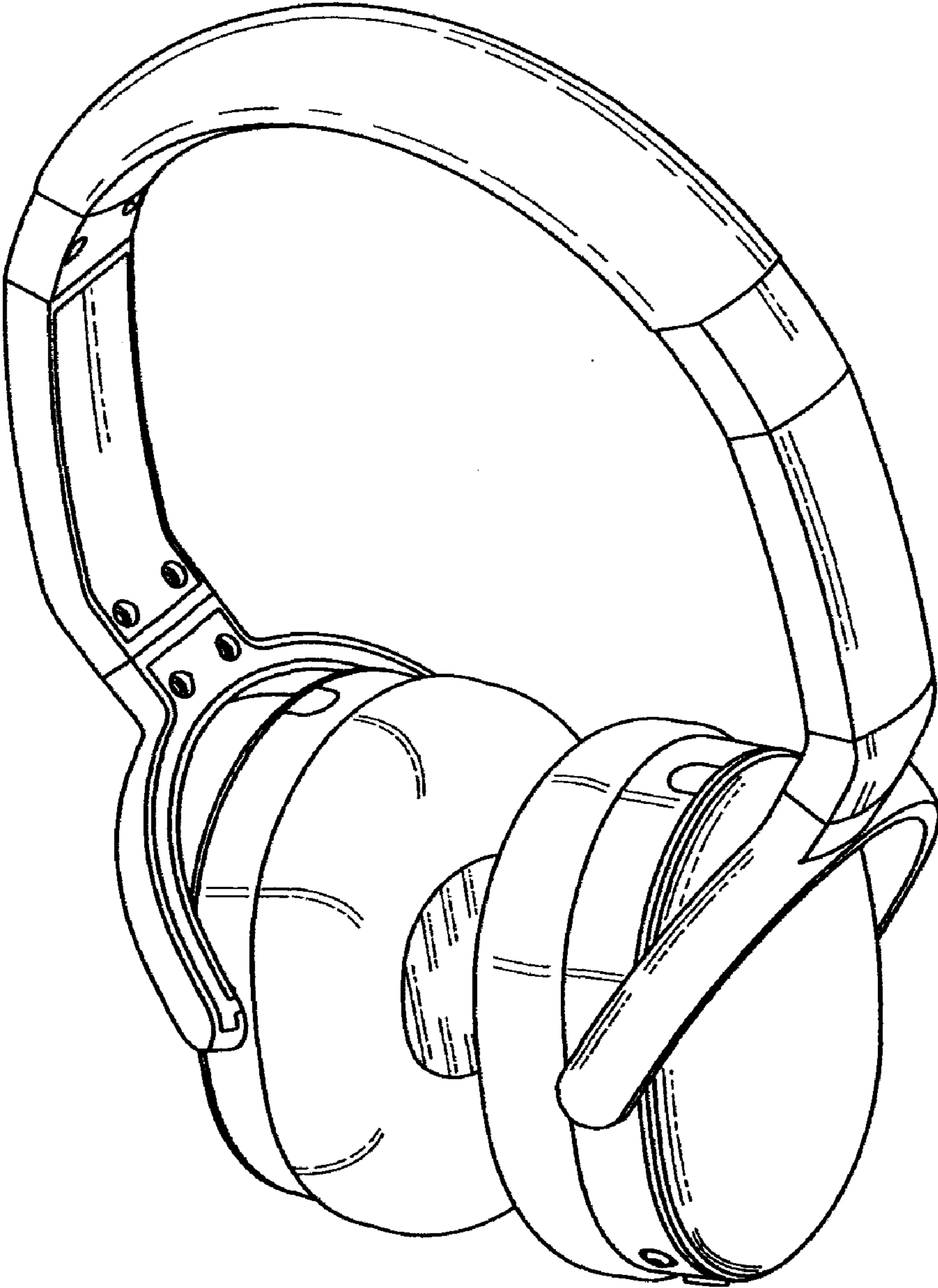


FIG. 2

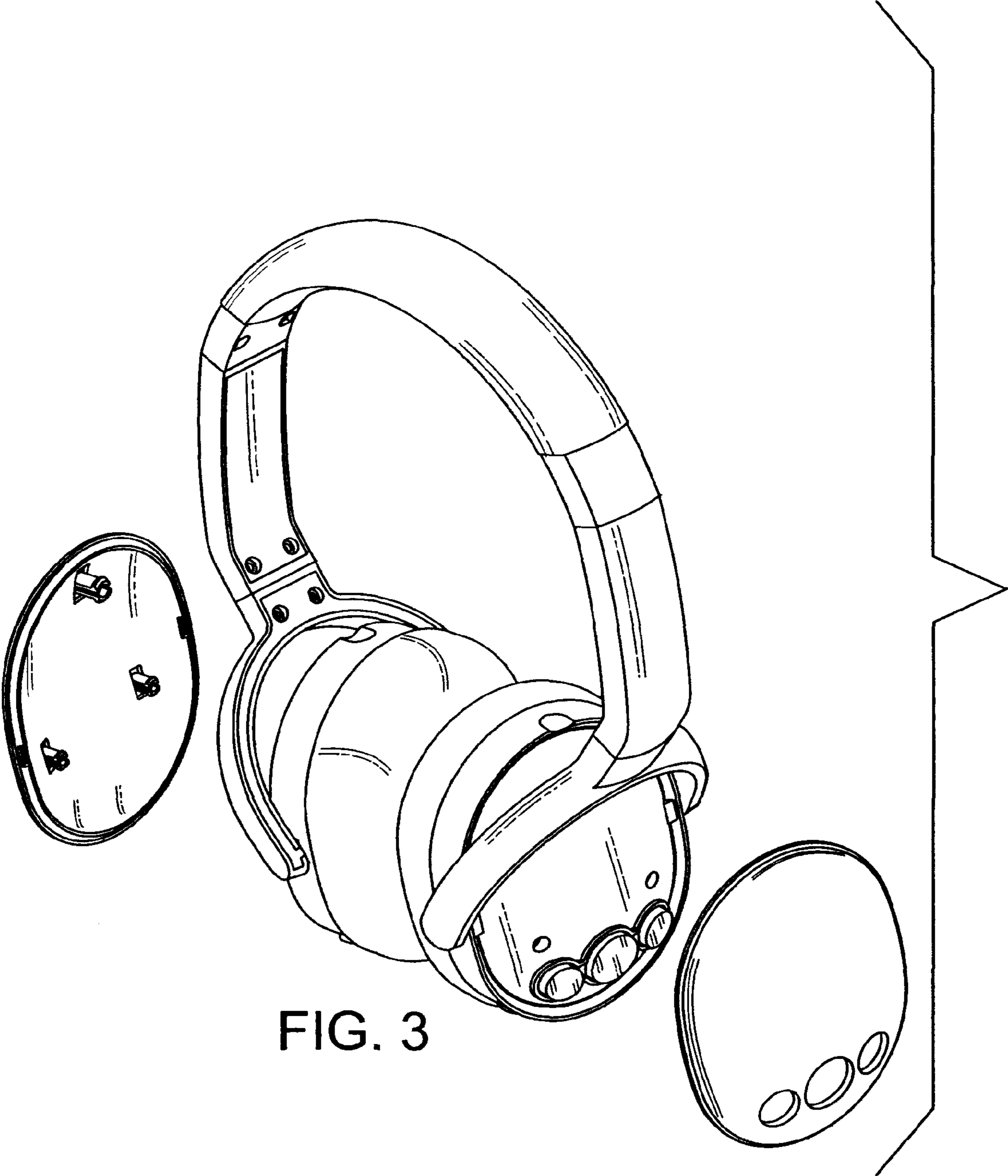


FIG. 3

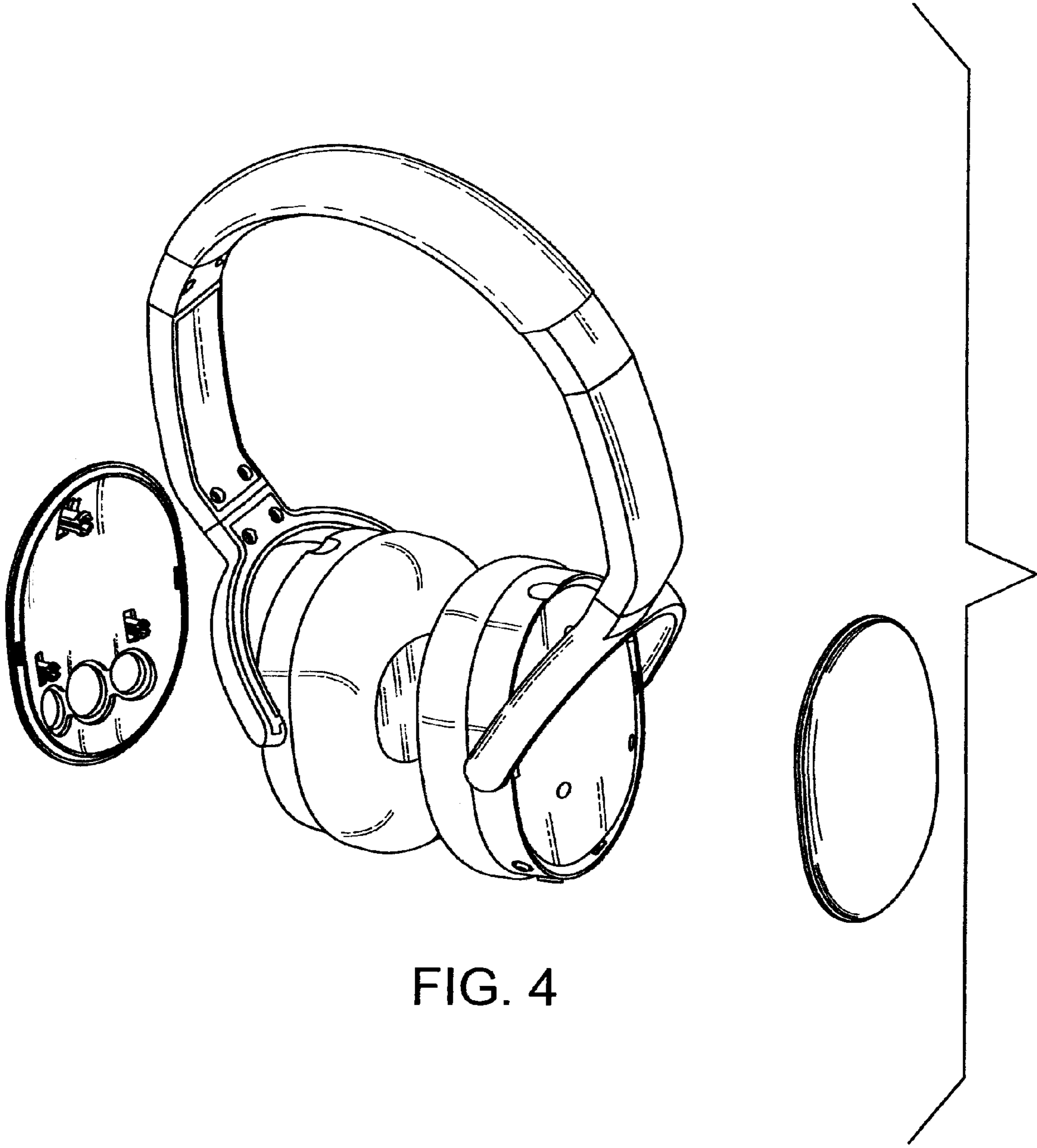


FIG. 4

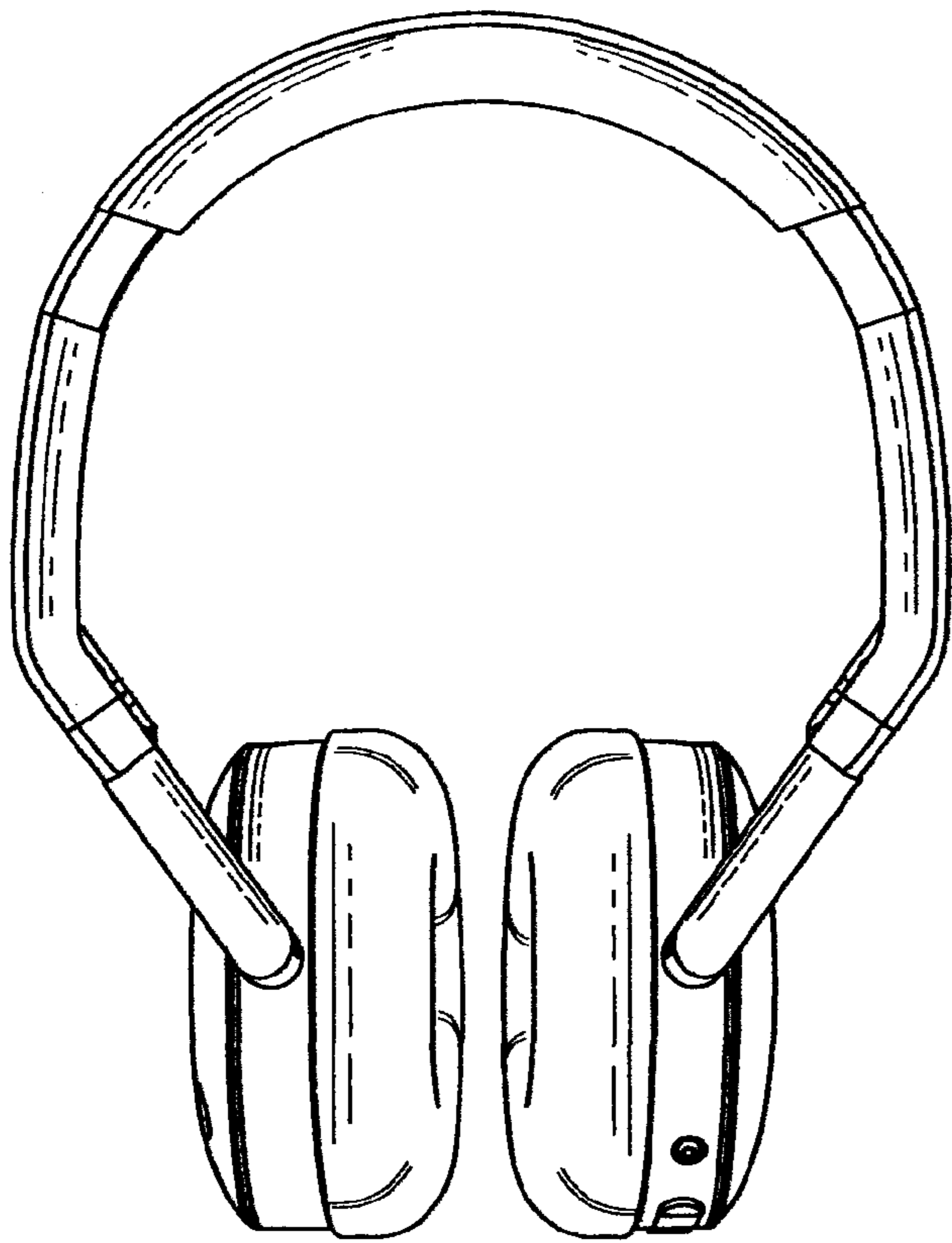


FIG. 5

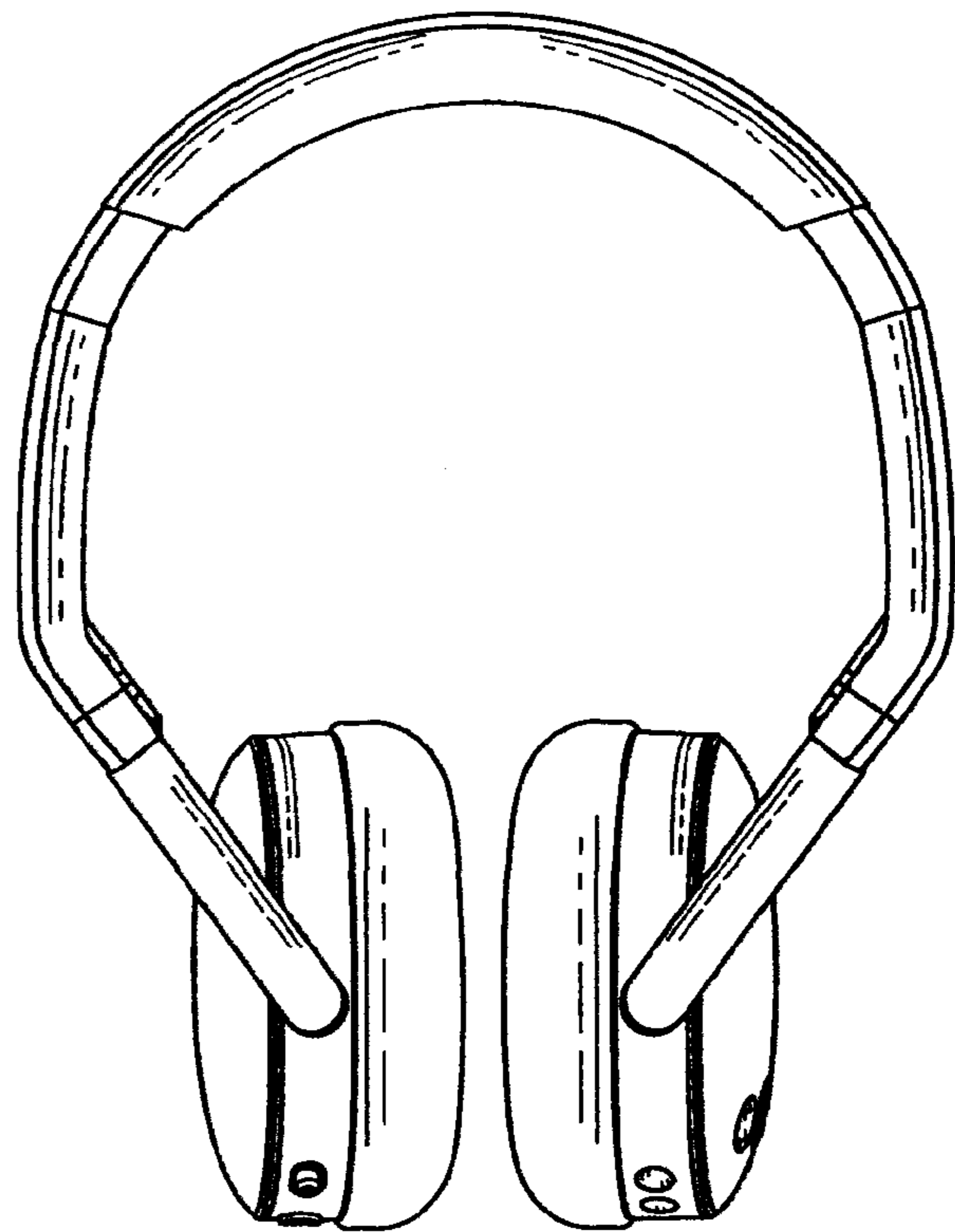


FIG. 6

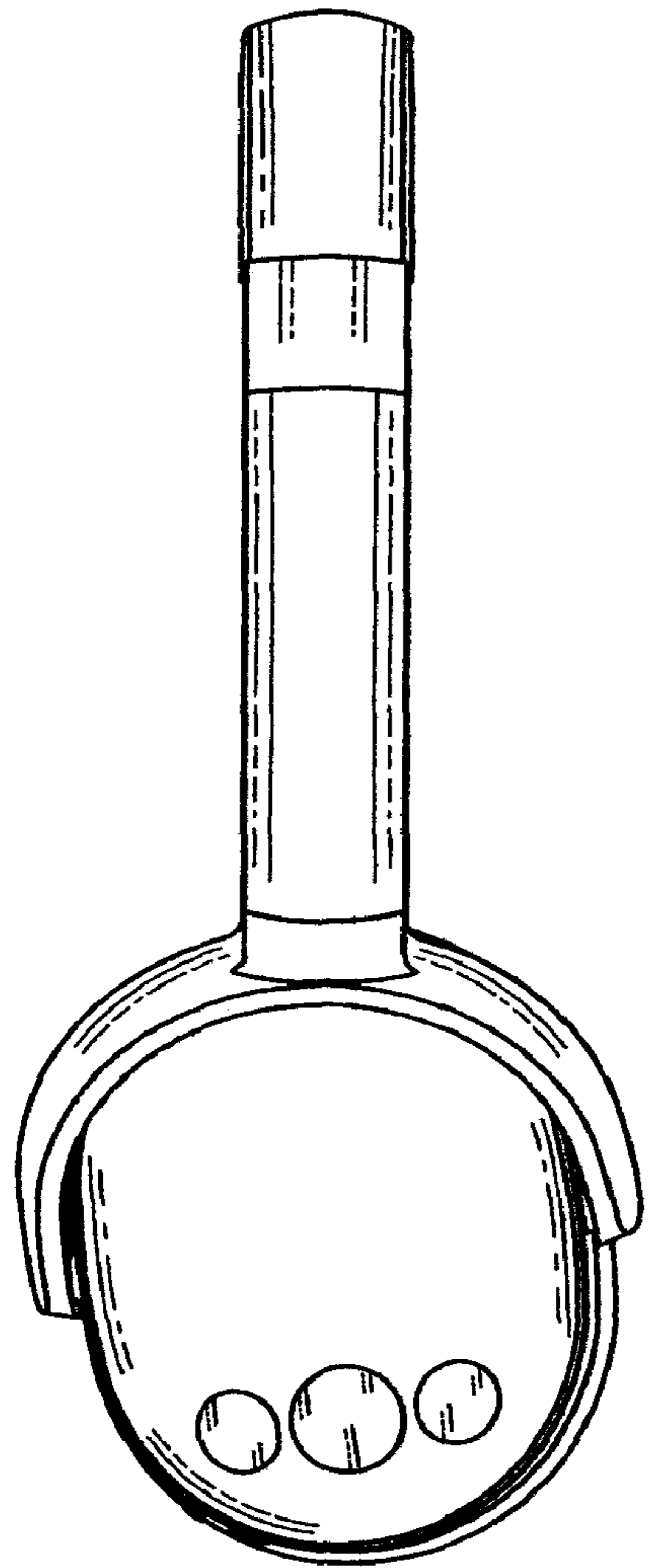


FIG. 7

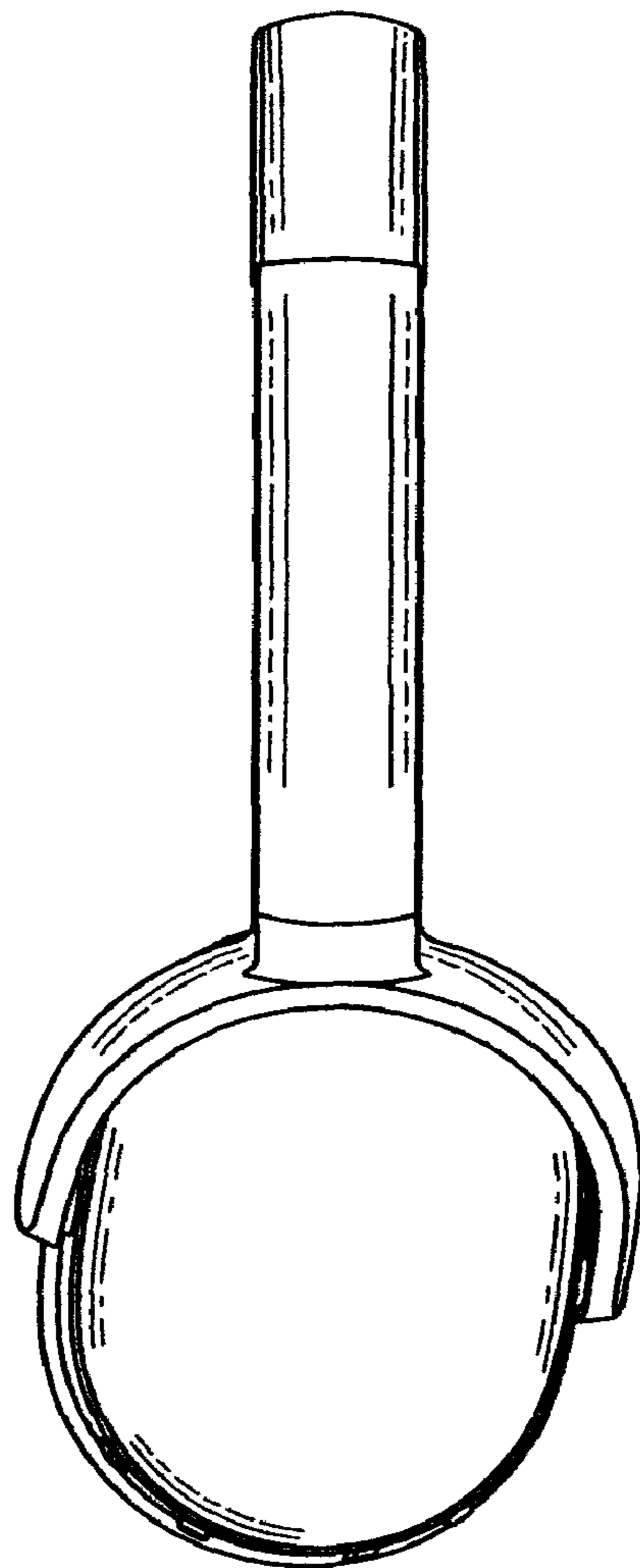


FIG. 8

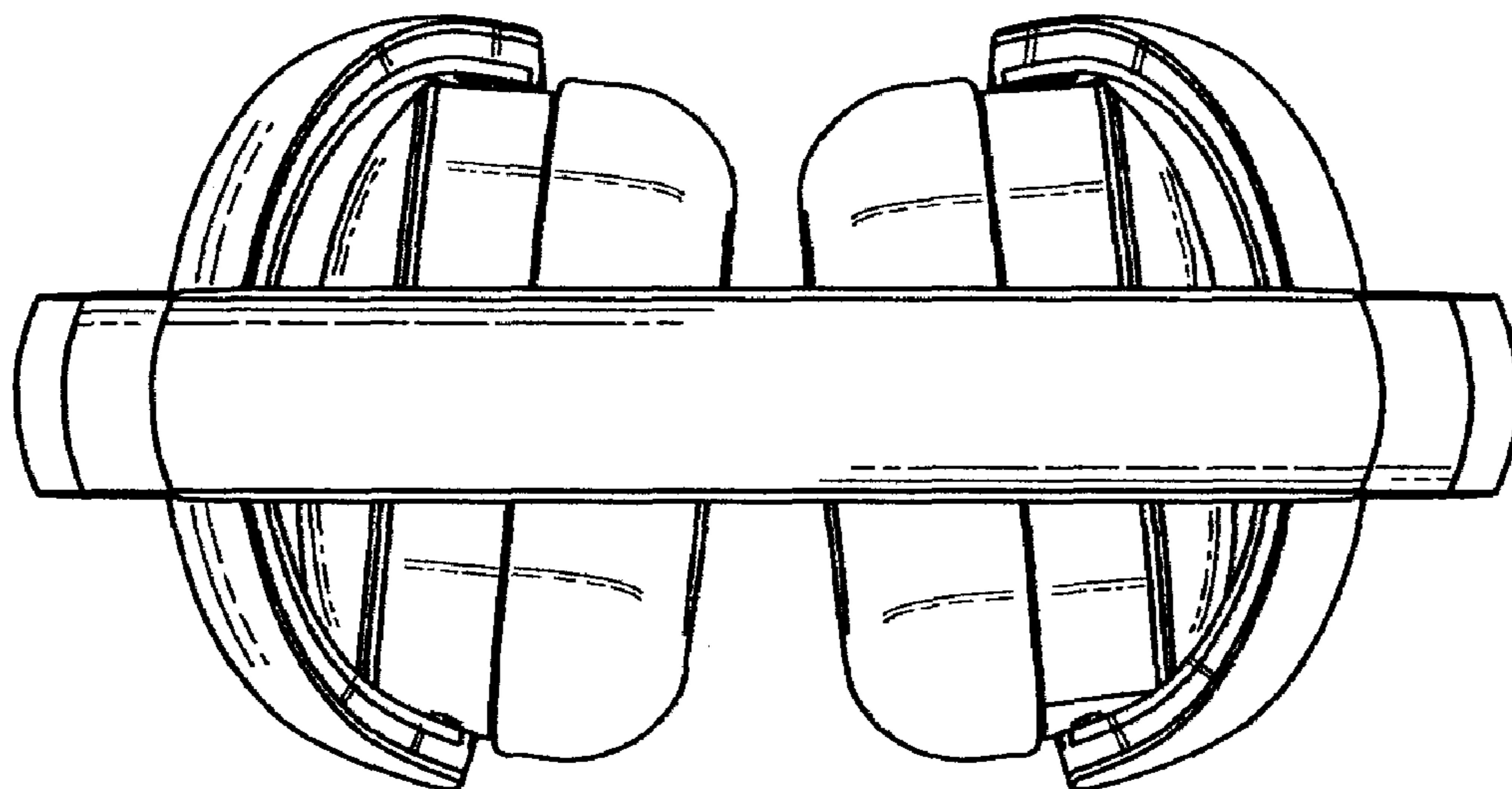


FIG. 9

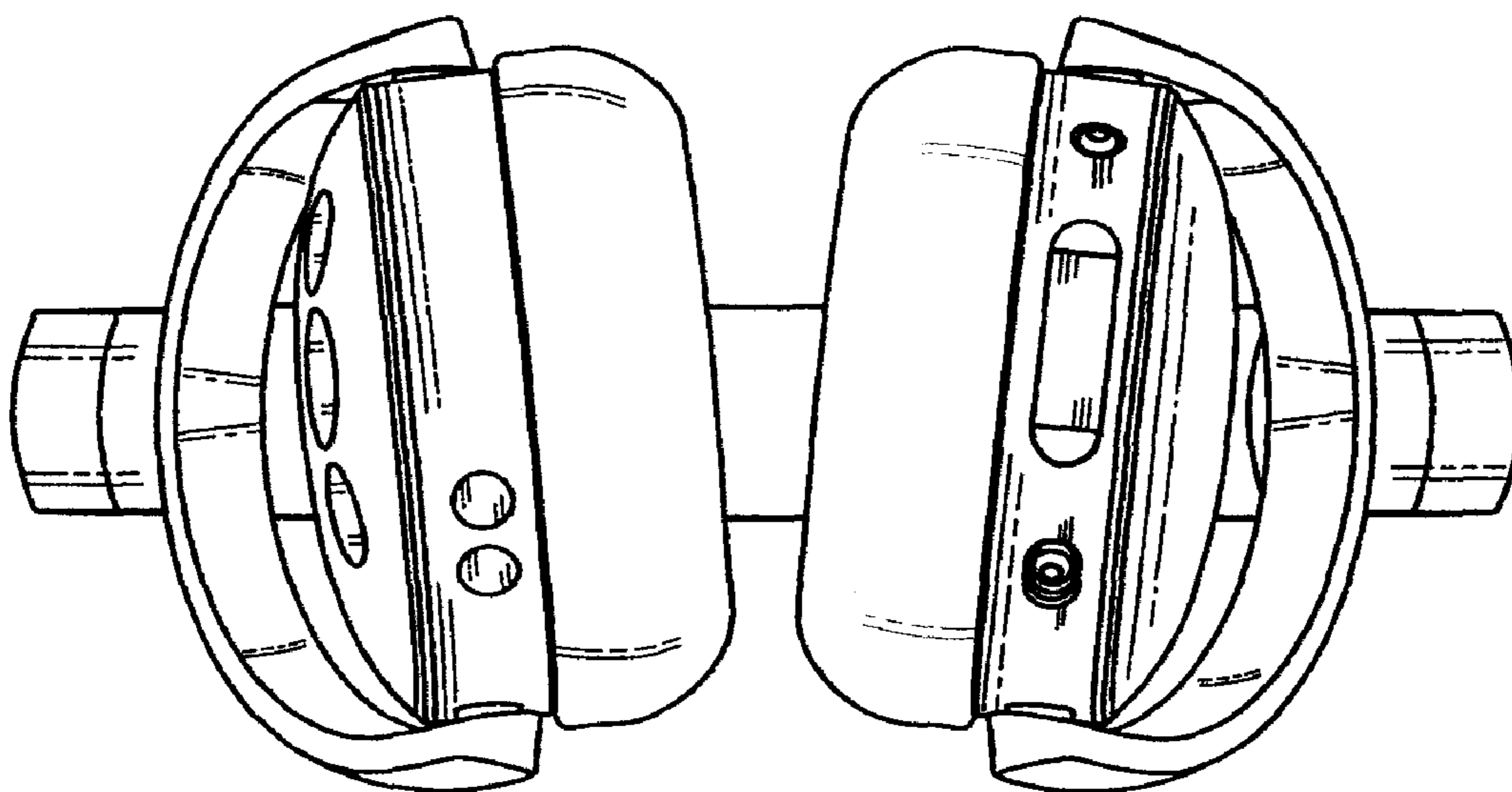


FIG. 10