



US00D616862S

(12) **United States Design Patent**  
**Kung**

(10) **Patent No.:** **US D616,862 S**

(45) **Date of Patent:** **\*\* Jun. 1, 2010**

(54) **PORTABLE AMPLIFIER**

(76) Inventor: **Te-Wei Kung**, P.O. Box 90, Tainan City  
70499 (TW)

(\*\*) Term: **14 Years**

(21) Appl. No.: **29/351,124**

(22) Filed: **Dec. 1, 2009**

(51) **LOC (9) Cl.** ..... **14-03**

(52) **U.S. Cl.** ..... **D14/188; D14/265**

(58) **Field of Classification Search** ..... D14/188,  
D14/265, 204, 192-198, 137, 155, 217, 221,  
D14/224, 257, 258; 455/344-351, 575.1;  
369/6-12; 330/1 R, 3, 4, 250, 185, 207 R,  
330/207 A

See application file for complete search history.

(56) **References Cited**

**U.S. PATENT DOCUMENTS**

3,860,755	A *	1/1975	Kimbell et al.	.....	381/109
5,119,430	A *	6/1992	Peavey et al.	.....	381/121
5,191,177	A *	3/1993	Chi	.....	181/153
5,748,733	A *	5/1998	Quan	.....	380/204
5,781,853	A *	7/1998	Johnson	.....	455/351
6,028,945	A *	2/2000	Gayle	.....	381/120
D486,816	S *	2/2004	Nakajima et al.	.....	D14/169

D498,225	S *	11/2004	Takeuchi et al.	.....	D14/188
D525,613	S *	7/2006	Masui	.....	D14/188
D526,640	S *	8/2006	Chin et al.	.....	D14/188
D534,154	S *	12/2006	Shen	.....	D14/188
D587,239	S *	2/2009	Raisanen et al.	.....	D14/188
D608,760	S *	1/2010	Xie	.....	D14/188

\* cited by examiner

*Primary Examiner*—Prabhakar Deshmukh

(57) **CLAIM**

The ornamental design for a portable amplifier, as shown and described.

**DESCRIPTION**

FIG. 1 is a perspective view of a portable amplifier showing my design;

FIG. 2 is a front elevational view thereof;

FIG. 3 is a rear elevational view thereof;

FIG. 4 is a left side elevational view thereof;

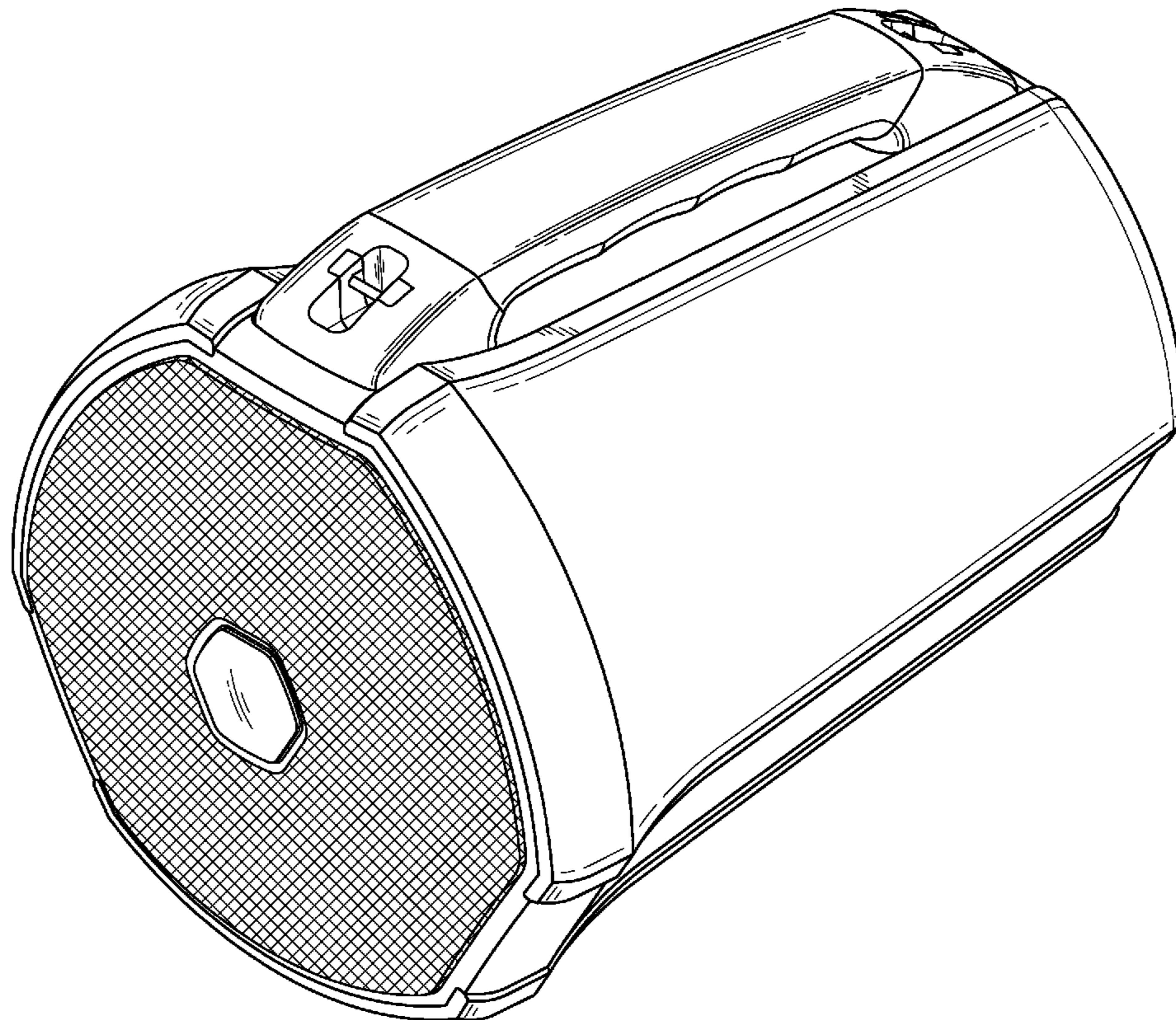
FIG. 5 is a right side elevational view thereof;

FIG. 6 is a top plan view thereof;

FIG. 7 is a bottom plan view thereof; and,

FIG. 8 is a perspective view from the other side.

**1 Claim, 8 Drawing Sheets**



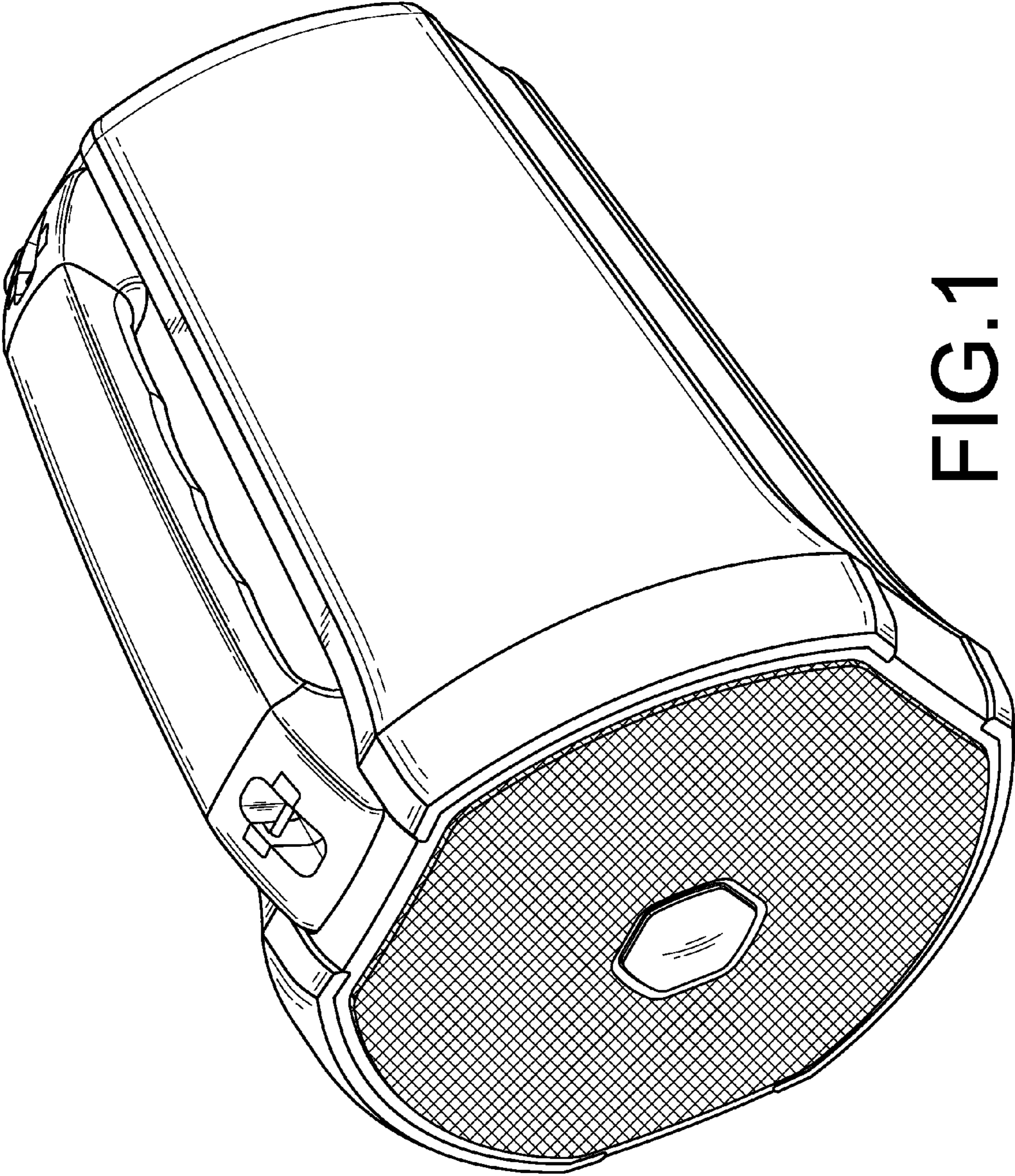


FIG.1



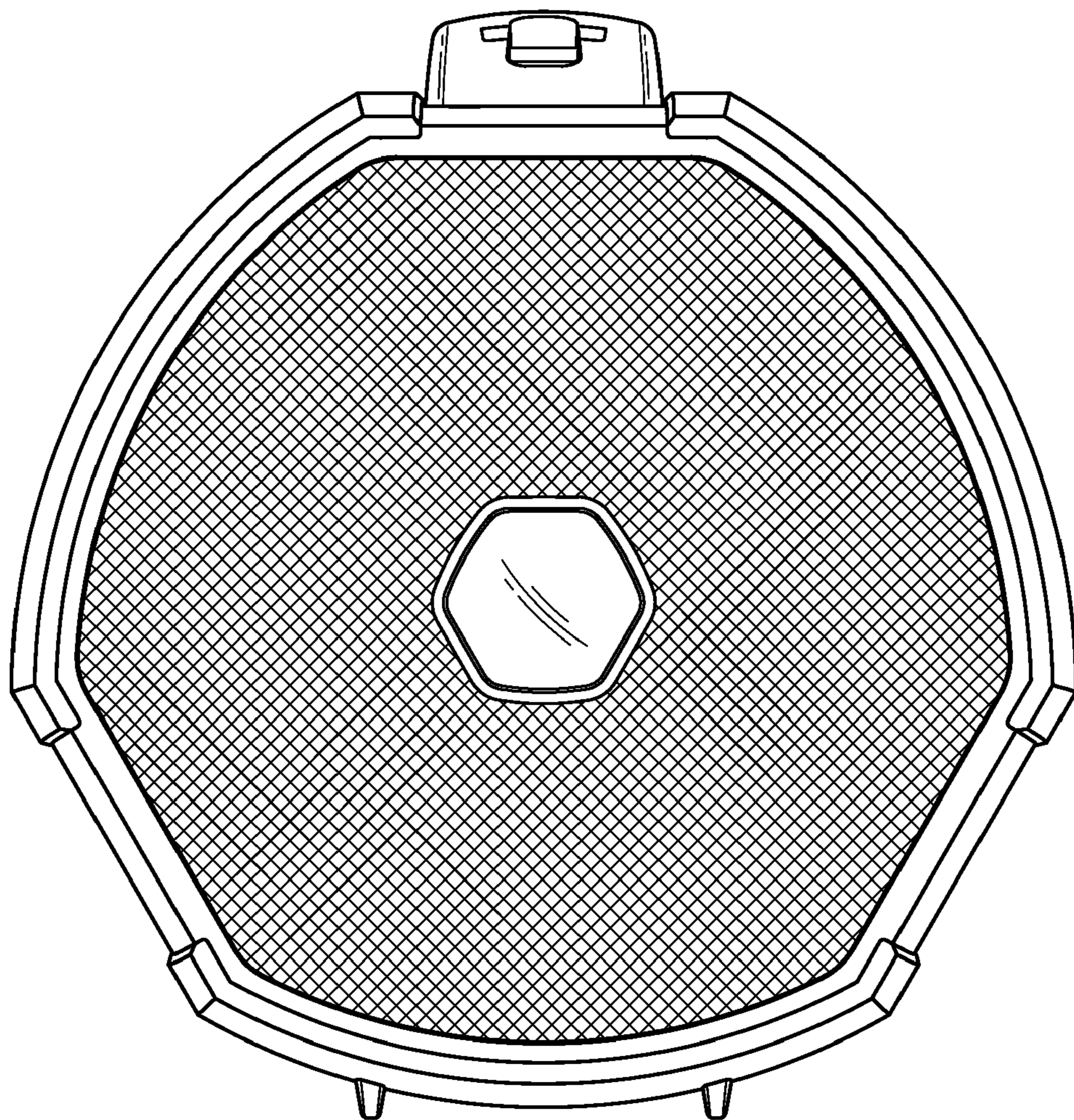


FIG.2

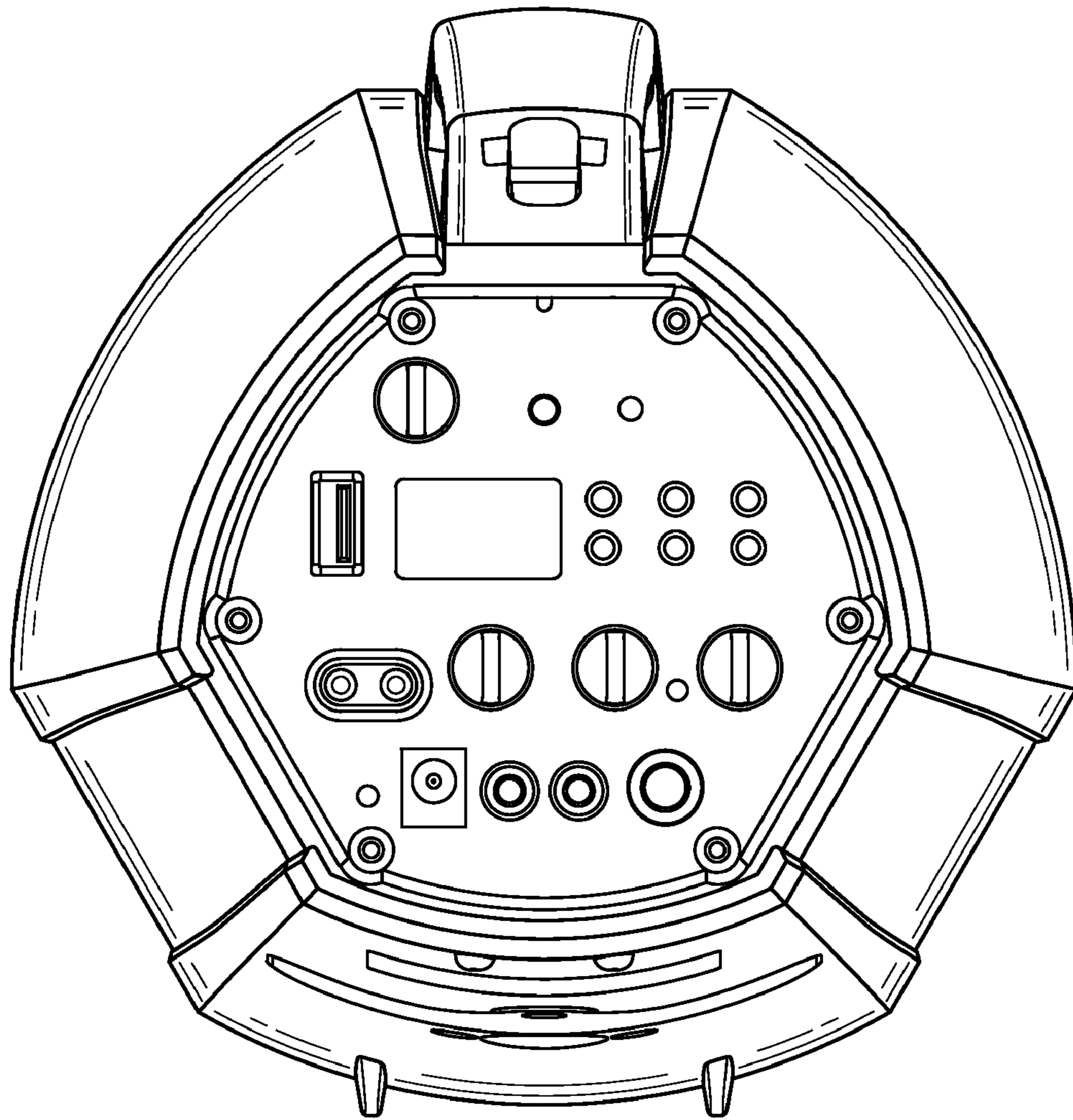


FIG.3

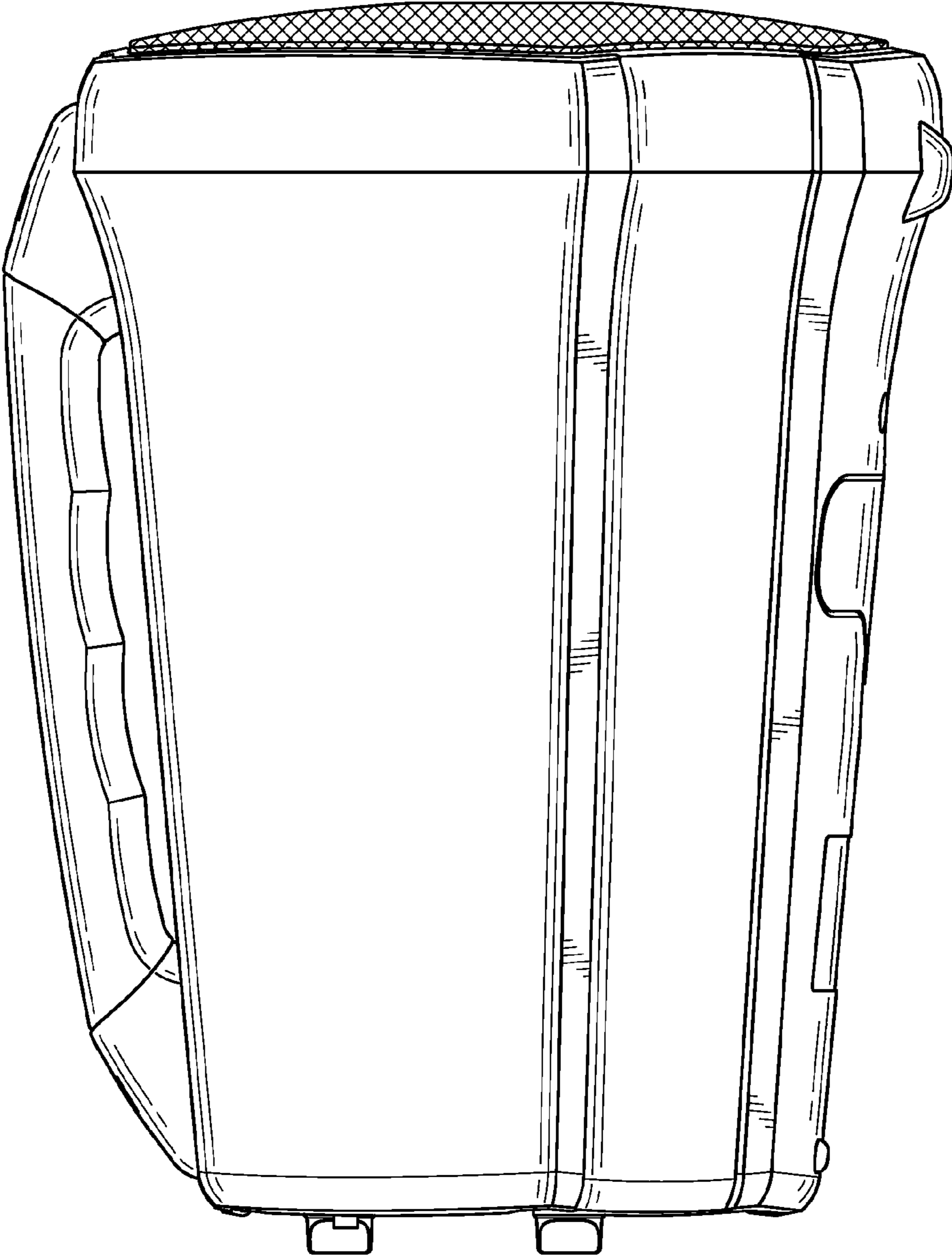


FIG.4



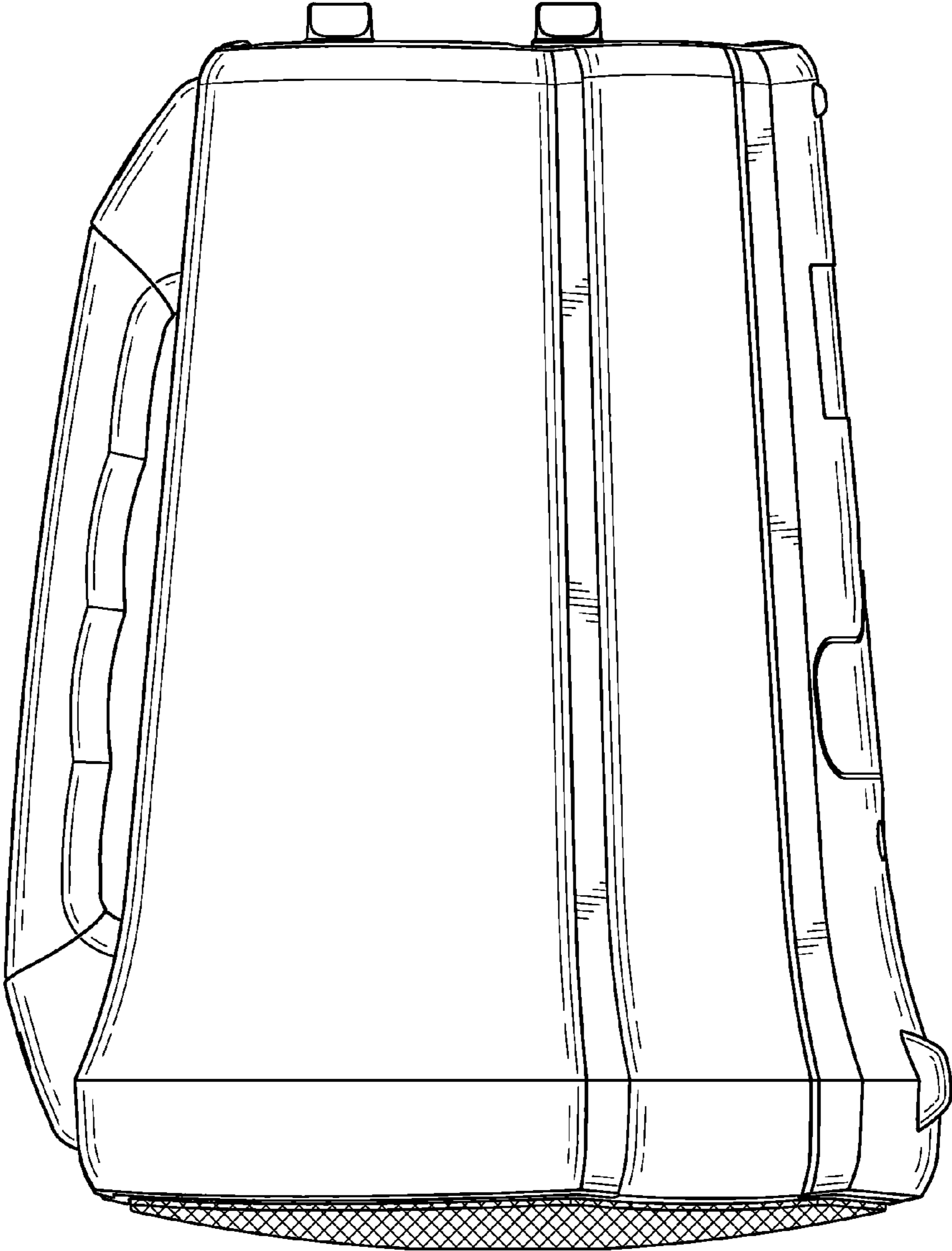


FIG. 5

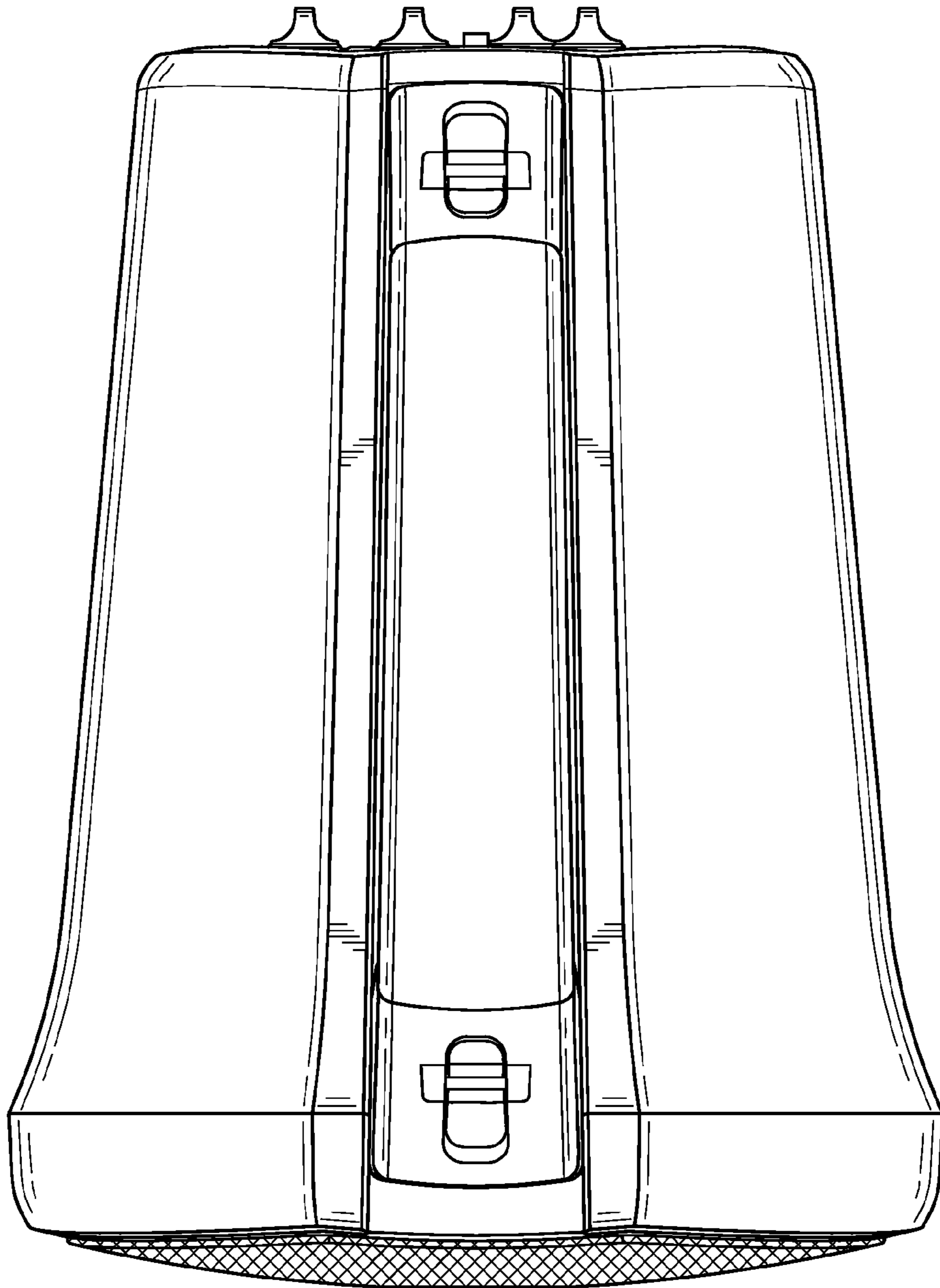


FIG.6

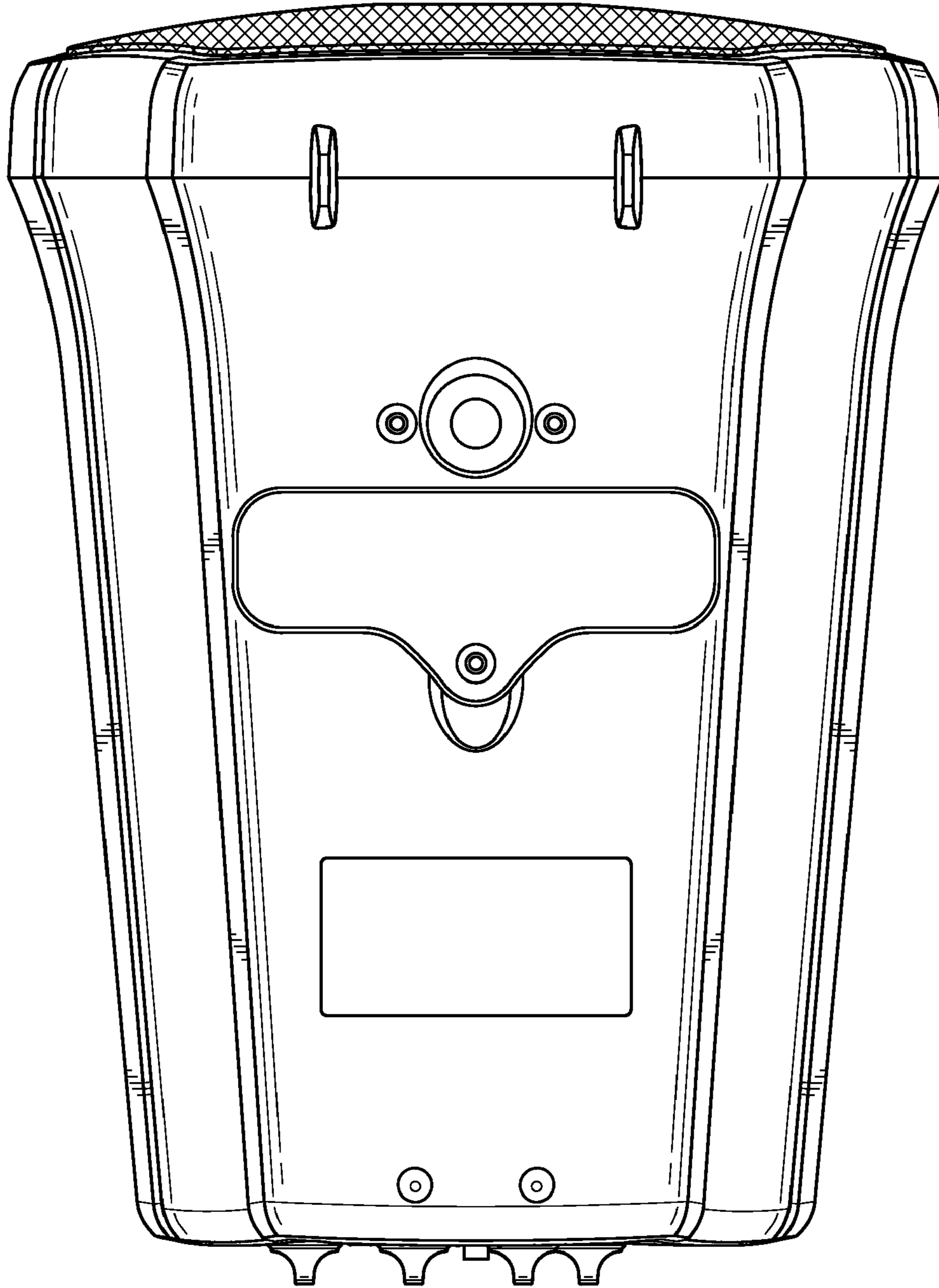


FIG.7



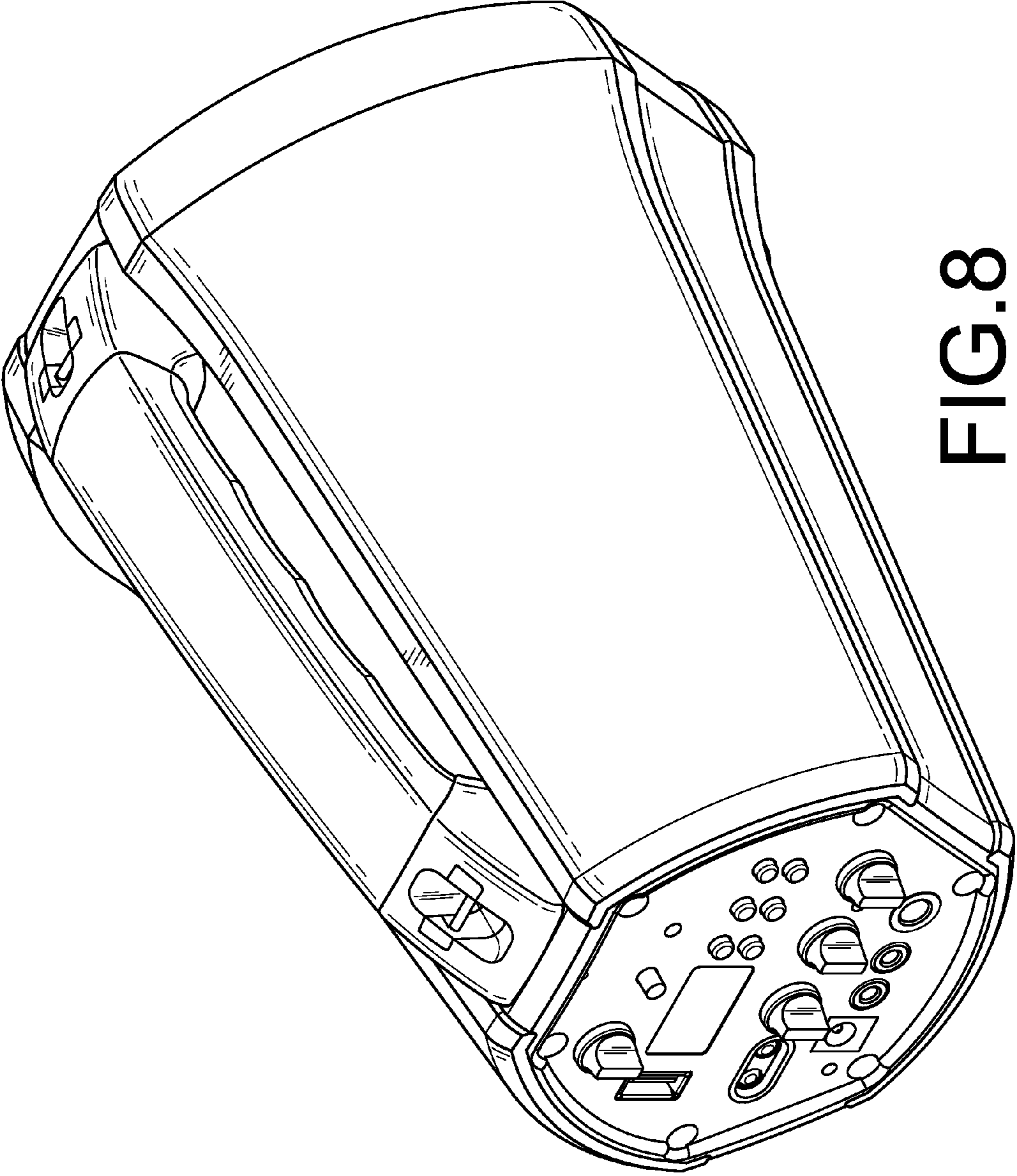


FIG. 8