



US00D616861S

(12) **United States Design Patent**
Lum et al.

(10) **Patent No.:** **US D616,861 S**
(45) **Date of Patent:** **** Jun. 1, 2010**

(54) **LADYBUG RADIO**

(75) Inventors: **Myk Lum**, Irvine, CA (US); **Yoon Kim**, Long Beach, CA (US)

(73) Assignee: **Vestlife, LLC**, Encino, CA (US)

(**) Term: **14 Years**

(21) Appl. No.: **29/326,285**

(22) Filed: **Oct. 15, 2008**

Related U.S. Application Data

(63) Continuation of application No. 29/283,564, filed on Aug. 17, 2007, now abandoned.

(51) **LOC (9) Cl.** **14-03**

(52) **U.S. Cl.** **D14/188; D14/189**

(58) **Field of Classification Search** D14/137, D14/155, 168, 170, 171, 188, 189, 191-198, D14/204, 217, 257, 265, 496; 369/6-12; 370/342-344; 455/344-351

See application file for complete search history.

(56) **References Cited**

U.S. PATENT DOCUMENTS

- D98,769 S * 3/1936 Horwitt D10/15
- D238,098 S * 12/1975 Fink D14/192
- D276,703 S * 12/1984 Au D10/15
- D312,408 S * 11/1990 Isobe D10/15
- D415,159 S * 10/1999 Nakano D14/215
- D450,049 S * 11/2001 Lacotta et al. D14/171
- D460,362 S * 7/2002 Kalman D10/22
- D475,715 S * 6/2003 Shah D14/454
- D478,562 S * 8/2003 Hu D14/171

- D478,890 S * 8/2003 Ng D14/170
- D482,017 S * 11/2003 Ducreux D14/188
- D483,396 S * 12/2003 Shah D18/7
- D483,737 S 12/2003 Shah
- D510,926 S * 10/2005 Jerome D14/156
- D512,137 S 11/2005 Chen
- D525,880 S * 8/2006 Okamura D10/2
- D540,291 S * 4/2007 Heath D14/137
- D541,260 S * 4/2007 Christianson D14/215
- D552,054 S * 10/2007 Pena Angarita D14/498
- D553,611 S 10/2007 Gan
- D556,737 S 12/2007 Oh
- D585,421 S * 1/2009 Petersen D14/189
- D606,514 S * 12/2009 Ludlum et al. D14/209.1

* cited by examiner

Primary Examiner—Stella M Reid

Assistant Examiner—Keli L Hill

(74) *Attorney, Agent, or Firm*—Merchant & Gould P.C.

(57) **CLAIM**

The ornamental design of a ladybug radio, as shown and described.

DESCRIPTION

FIG. 1 is a front perspective view showing the radio of the present application;

FIG. 2 is a front view thereof;

FIG. 3 is a rear view thereof;

FIG. 4 is a right side view thereof;

FIG. 5 is a left side view thereof;

FIG. 6 is a top plan view thereof; and,

FIG. 7 is a bottom plan view thereof.

1 Claim, 7 Drawing Sheets

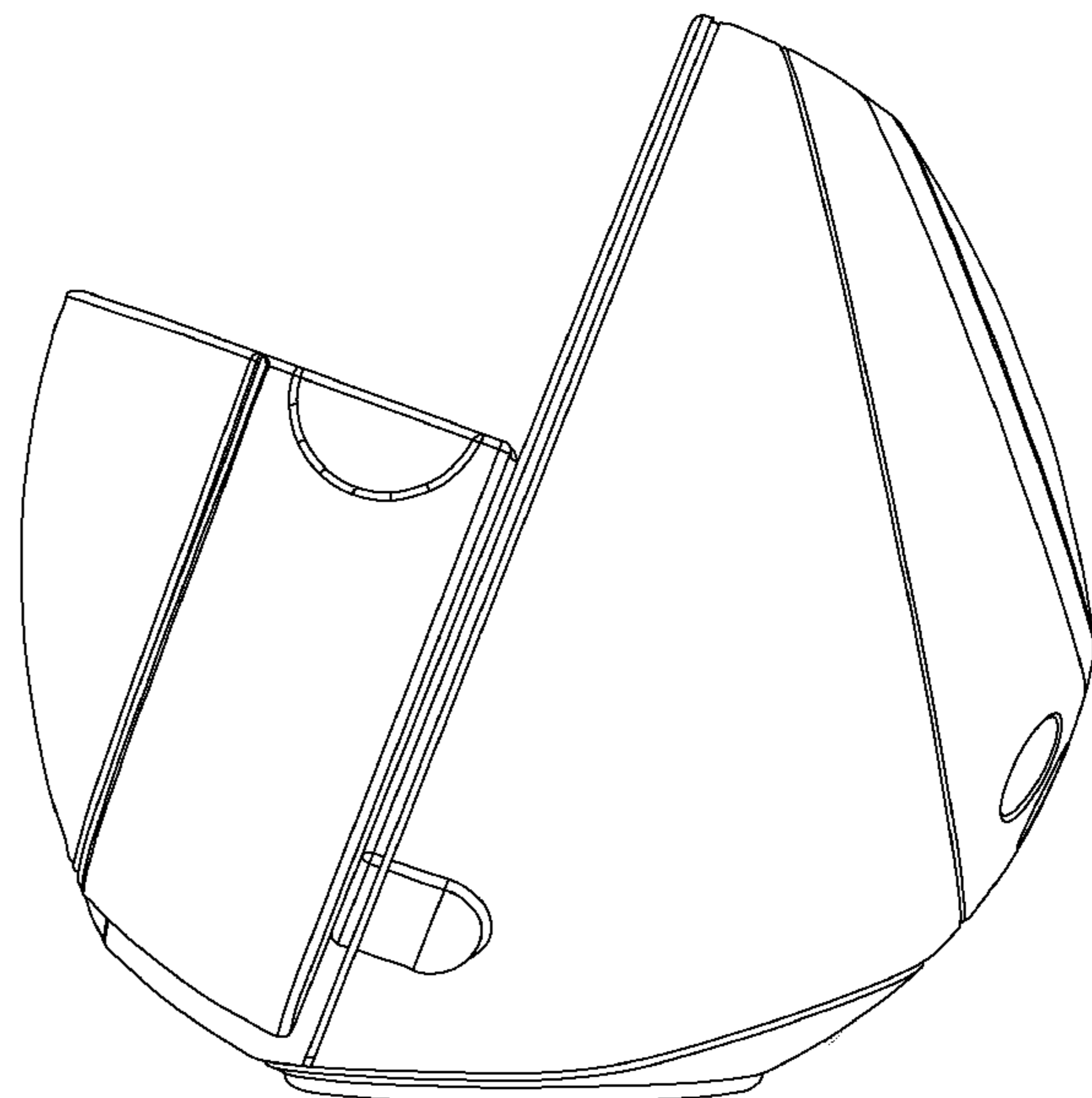
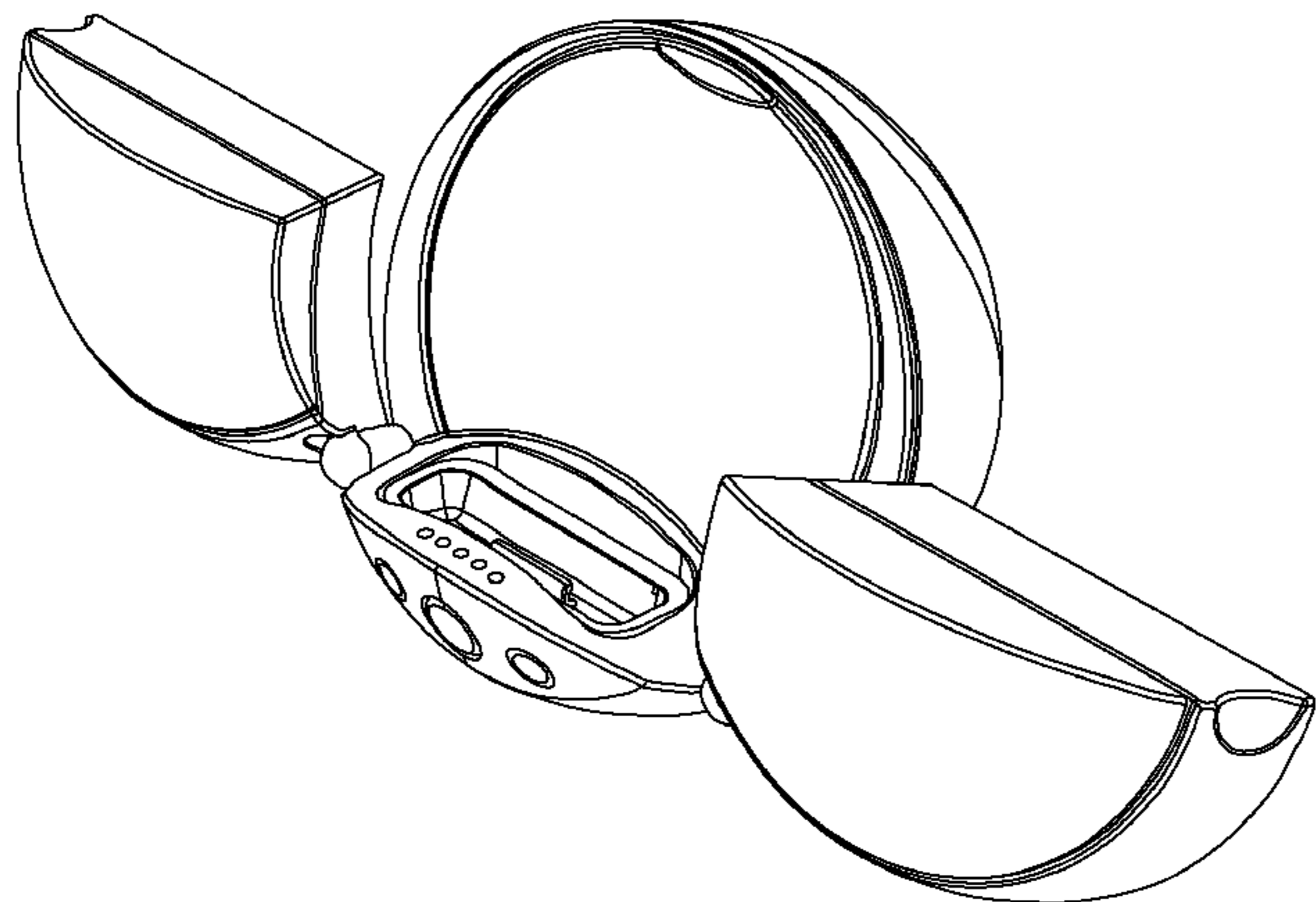


FIG. 1

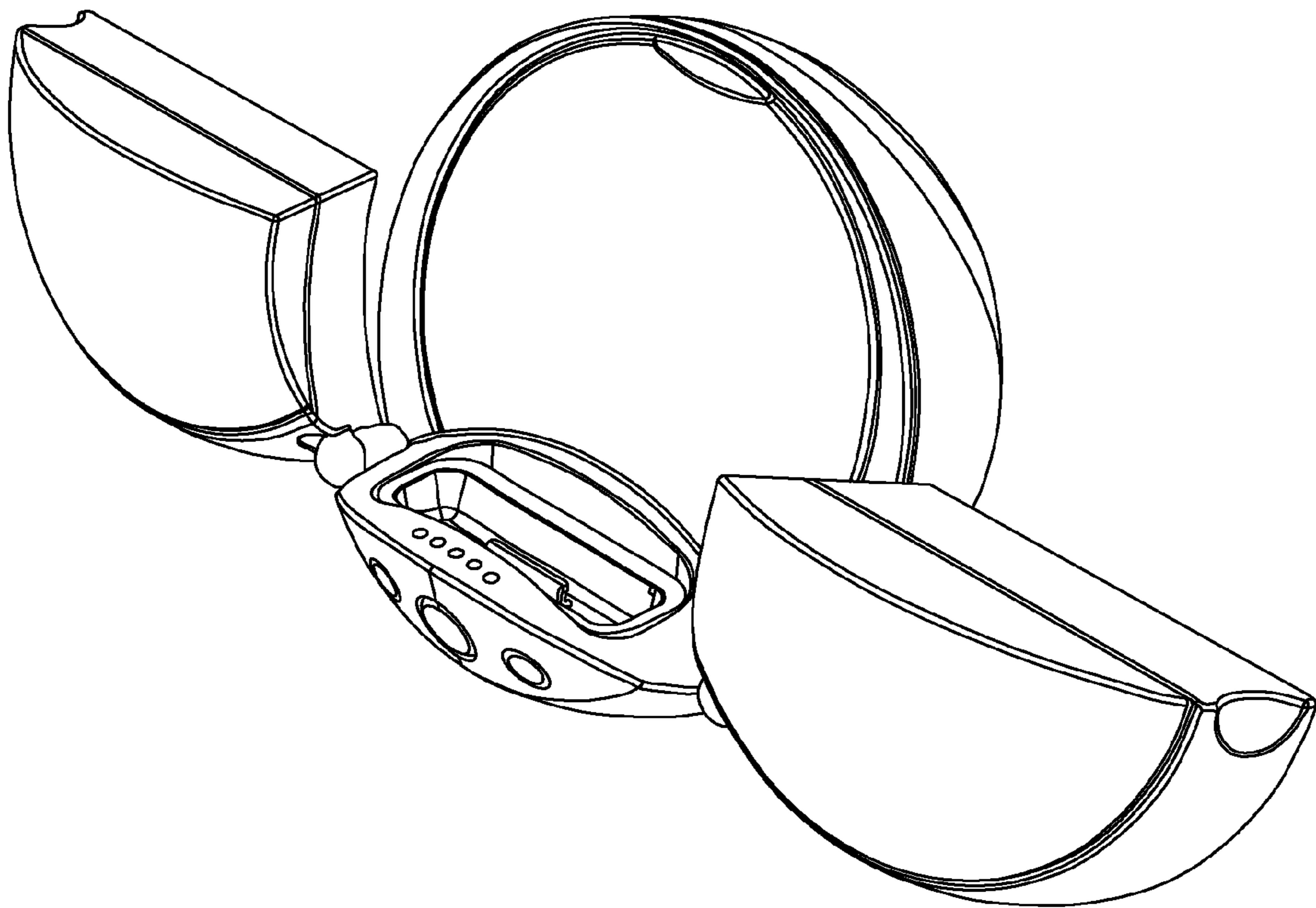


FIG. 2

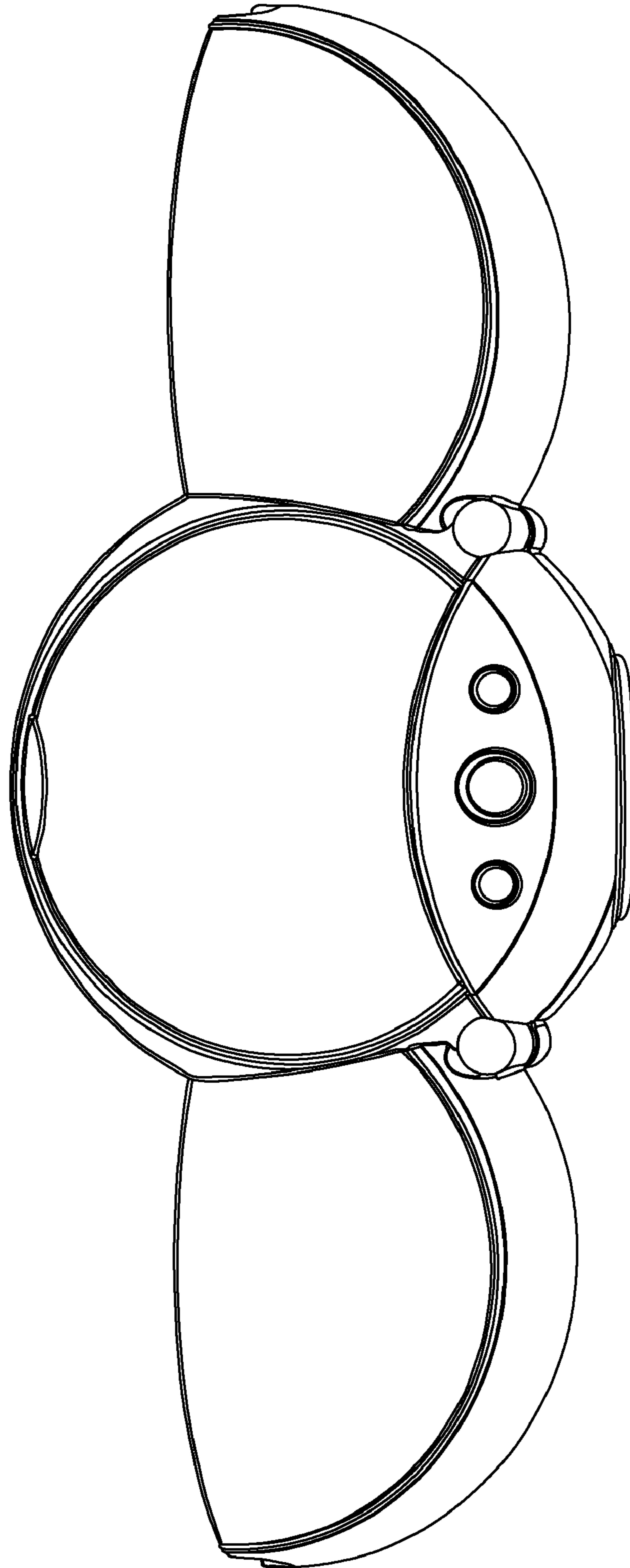


FIG. 3

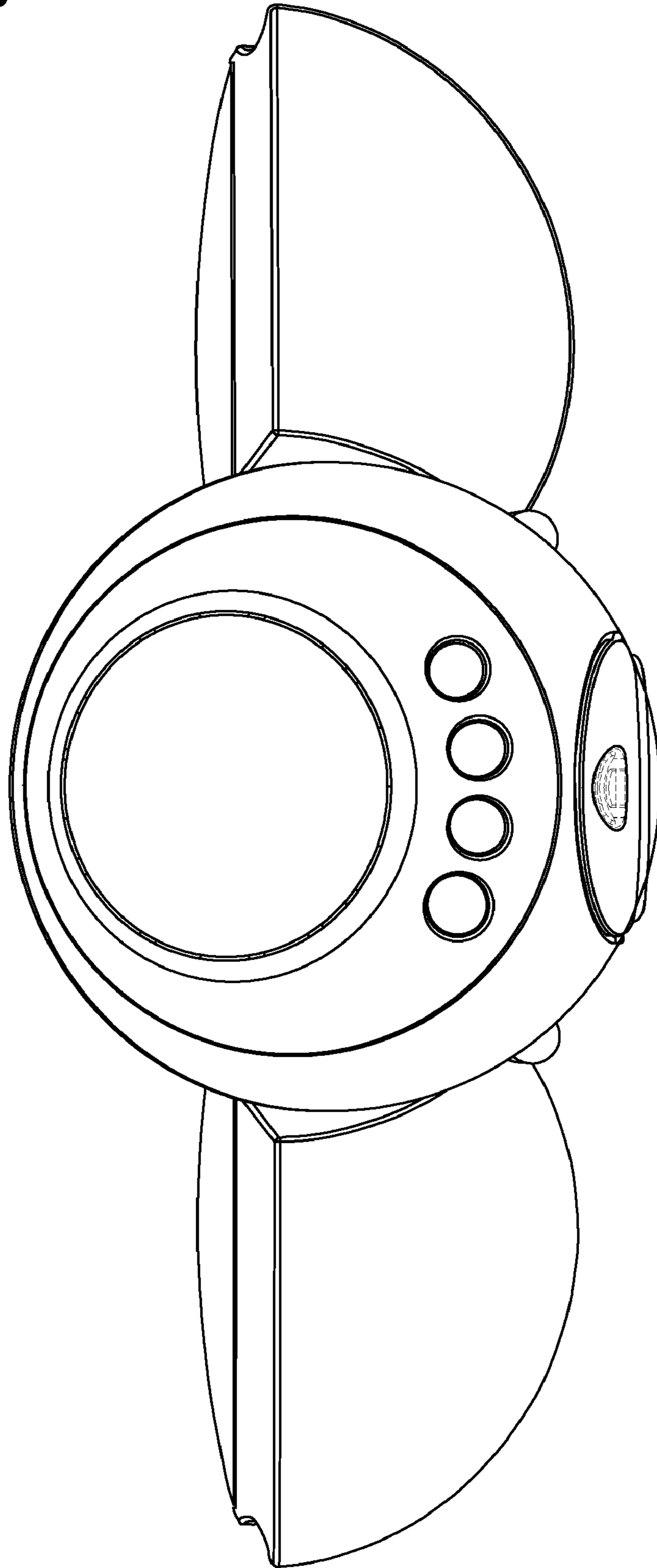


FIG. 4

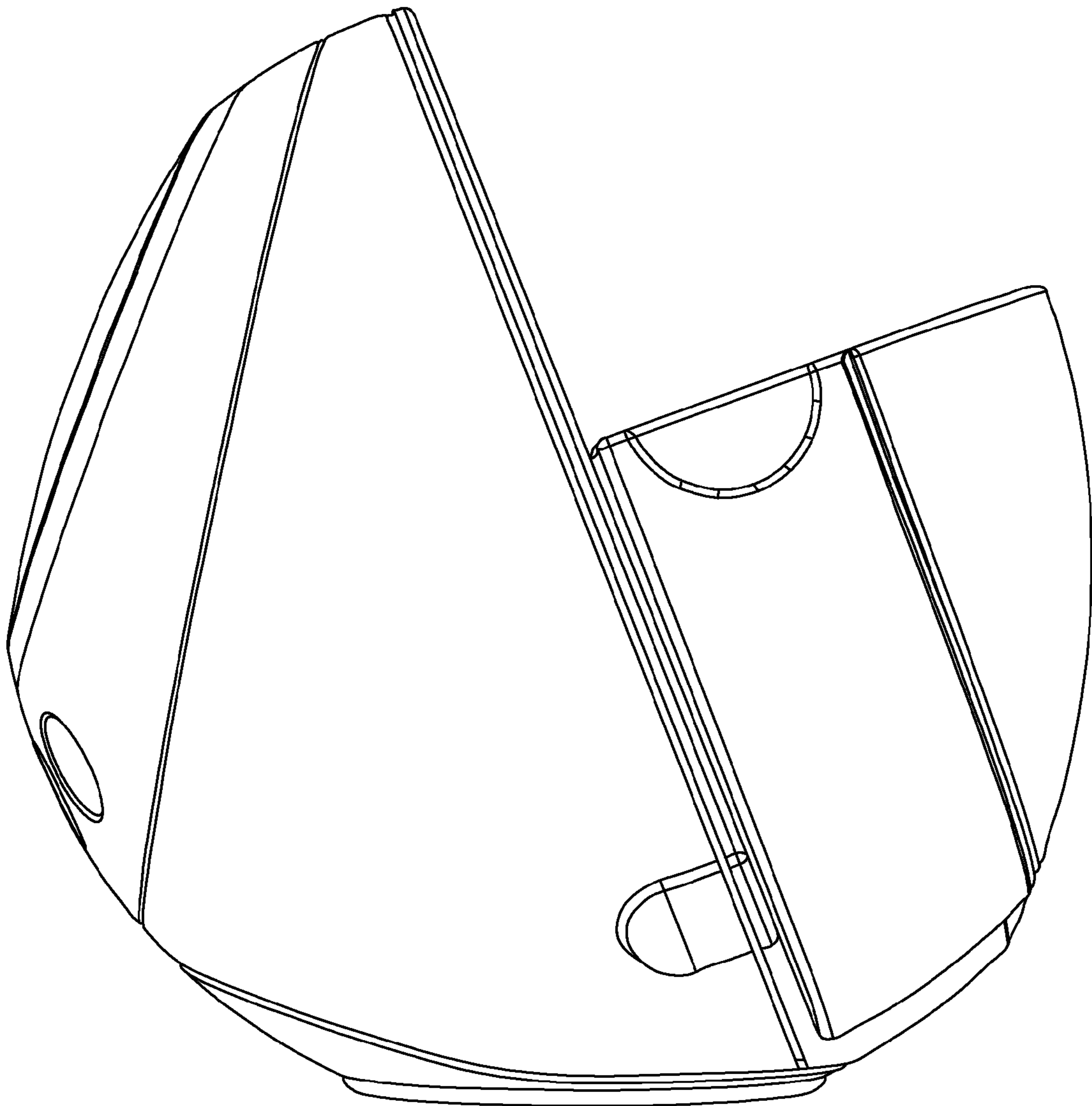


FIG. 5

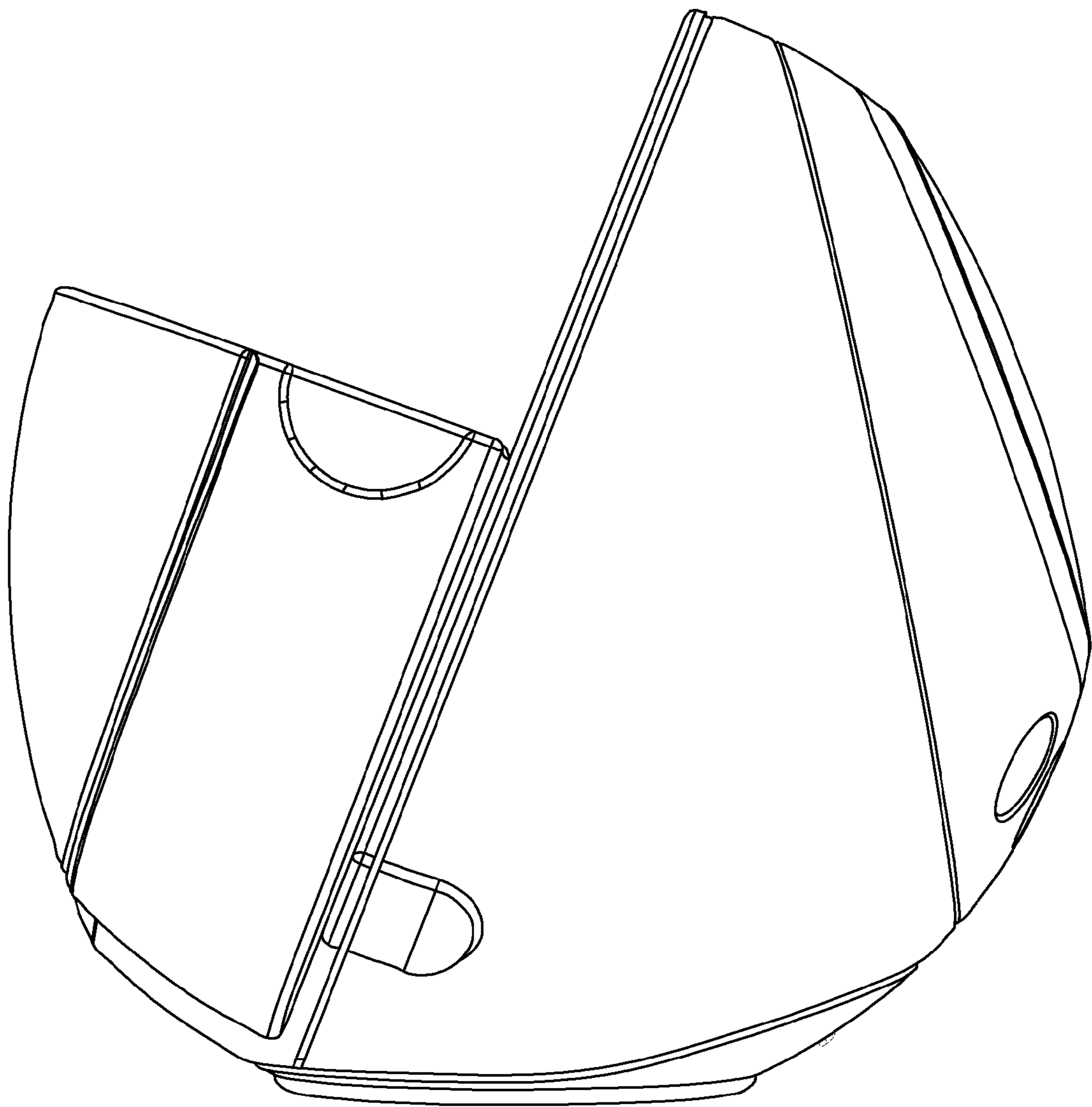


FIG. 6

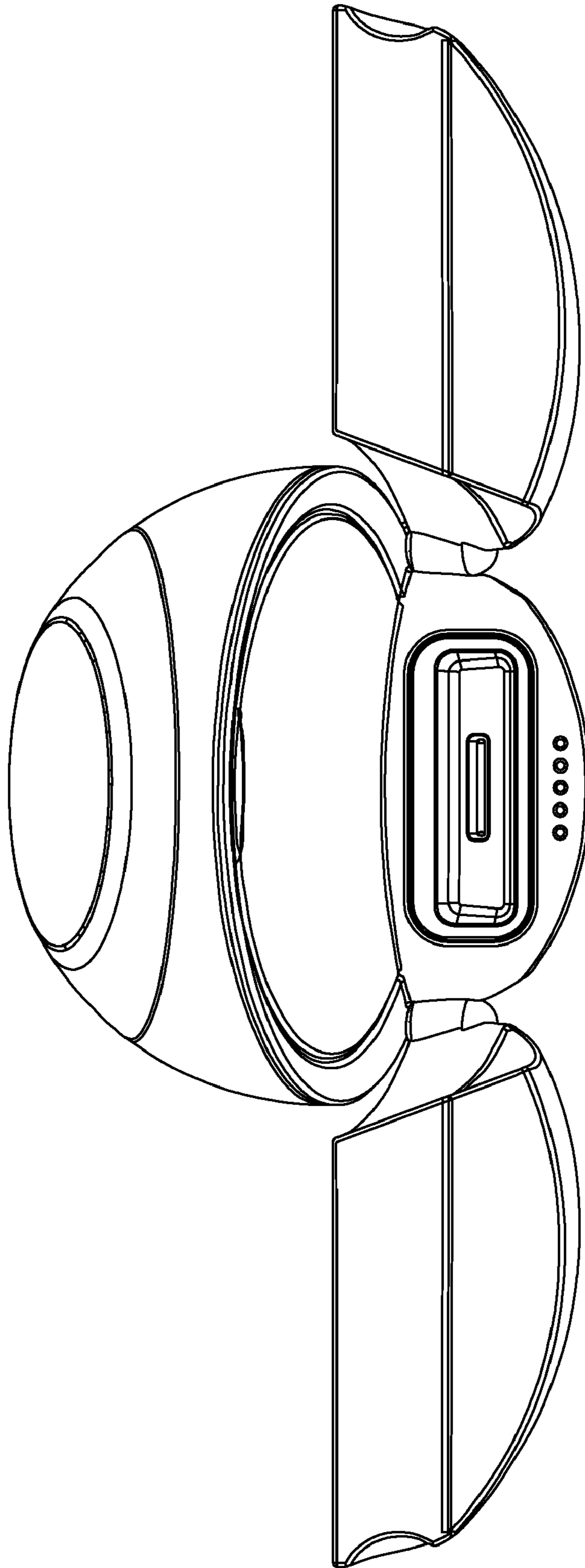


FIG. 7

