



US00D616851S

(12) **United States Design Patent**  
**Roka**

(10) **Patent No.:** **US D616,851 S**  
(45) **Date of Patent:** **\*\* Jun. 1, 2010**

(54) **CIRCULAR MOBILE PHONE**

(75) Inventor: **Pujan K. Roka**, Olathe, KS (US)

(73) Assignee: **Sprint Communications Company L.P.**, Overland Park, KS (US)

(\*\*) Term: **14 Years**

(21) Appl. No.: **29/337,880**

(22) Filed: **Jun. 1, 2009**

(51) **LOC (9) Cl.** ..... **14-03**

(52) **U.S. Cl.** ..... **D14/138 AD**

(58) **Field of Classification Search** ..... D14/138 R,  
D14/138 AD, 138 AC, 138 C, 138 G, 191,  
D14/203.1–203.8, 496, 138 AA, 138 AB,  
D14/247–248, 137, 147, 218, 341–347;  
D10/65, 78, 104; D13/168; D18/7; D28/82;  
455/566, 575.1, 575.3

See application file for complete search history.

(56) **References Cited**

**U.S. PATENT DOCUMENTS**

- D62,928 S \* 8/1923 Hyde ..... D28/82
- D284,660 S \* 7/1986 Montague et al. .... D14/144
- D319,059 S \* 8/1991 Divine ..... D14/168
- D357,256 S \* 4/1995 Jardine ..... D14/218
- D358,149 S \* 5/1995 Fellingner ..... D14/138 AB
- 5,432,510 A \* 7/1995 Matthews ..... 341/20

(Continued)

**FOREIGN PATENT DOCUMENTS**

WO DM/058448 \* 11/2001

(Continued)

**OTHER PUBLICATIONS**

Concept Phones, Concept Phone Designs and News, Search Results from Concept Phones, Mar. 19, 2009, 20 pp, <http://www.concept-phones.com/?s=circular+phone>.

(Continued)

*Primary Examiner*—Jeffrey D Asch  
*Assistant Examiner*—Bridget L Eland

(57) **CLAIM**

The ornamental design for a circular mobile phone, as shown and described.

**DESCRIPTION**

FIG. 1 is a perspective view of the circular mobile phone illustrating my new design, in accordance with an embodiment of the present invention;

FIG. 2 is a top view of the circular mobile phone illustrating my new design, in accordance with an embodiment of the present invention;

FIG. 3 is a bottom view of the circular mobile phone illustrating my new design, in accordance with an embodiment of the present invention;

FIG. 4 is side view of the circular mobile phone illustrating my new design, in accordance with an embodiment of the present invention;

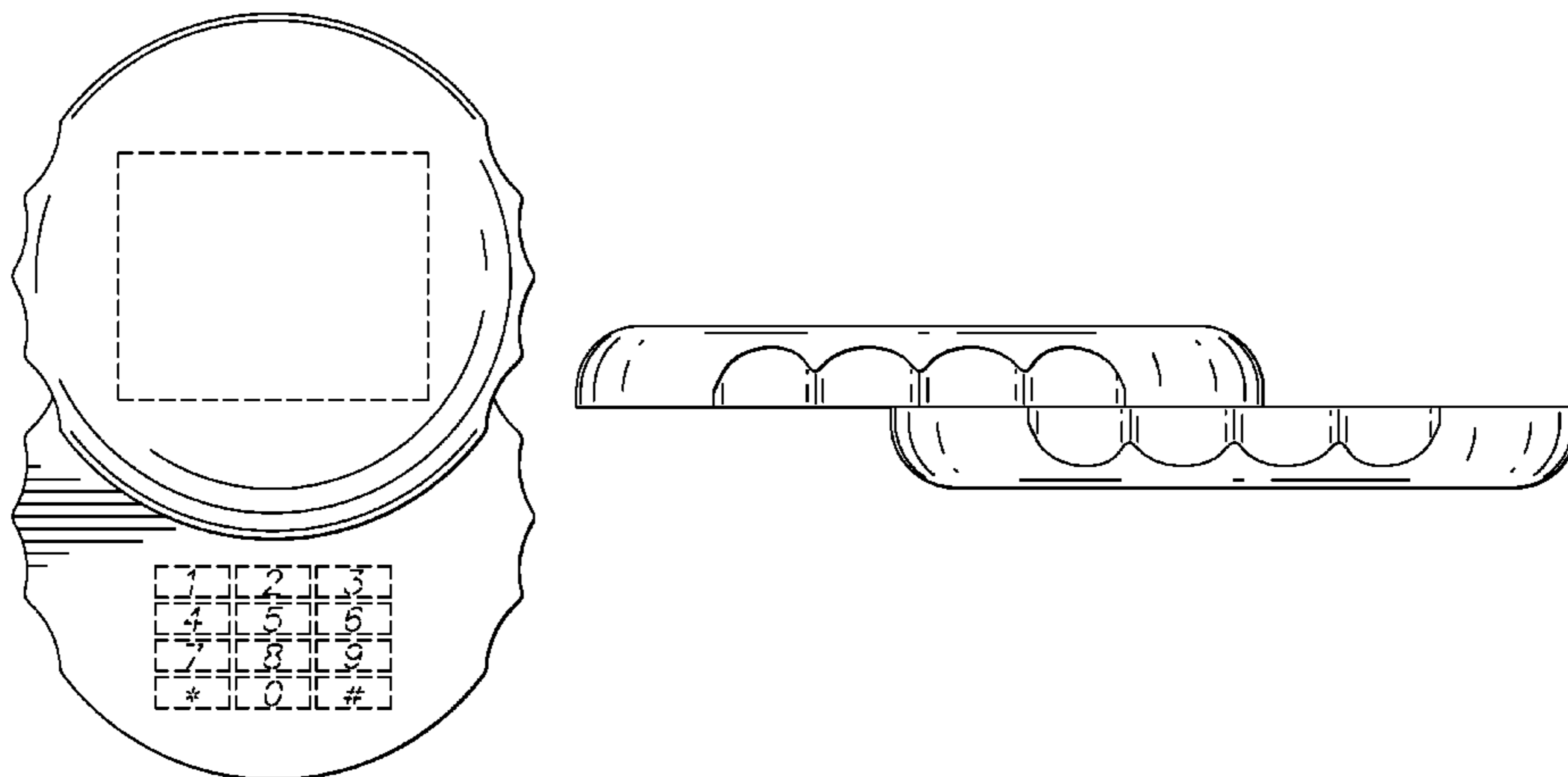
FIG. 5 is a side view of the circular mobile phone rotated 90 degrees in a clockwise direction from the view shown in FIG. 4 illustrating my new design, in accordance with an embodiment of the present invention; and,

FIG. 6 is a side view of the circular mobile phone rotated 270 degrees in a clockwise direction from the view shown in FIG. 4 illustrating my new design, in accordance with an embodiment of the present invention.

The broken lines immediately adjacent the shaded areas are directed to environment, and are for illustrative purposes only; the broken lines form no part of the claimed design.

The wire frame lines in FIGS. 4–6 and the lines in the notches of FIGS. 1, 4, 5, and 6 are intended to indicate surface contour and are not intended to be surface ornamentation.

**1 Claim, 3 Drawing Sheets**



# US D616,851 S

Page 2

## U.S. PATENT DOCUMENTS

D368,987 S \* 4/1996 Boucheron ..... D28/78  
D371,793 S \* 7/1996 Patton ..... D14/218  
D427,172 S \* 6/2000 Bequir ..... D14/138 AC  
D488,142 S \* 4/2004 Wang et al. .... D14/138 AB  
D489,045 S \* 4/2004 Wang et al. .... D14/138 AB  
D489,343 S \* 5/2004 Wang et al. .... D14/138 AB  
D496,916 S \* 10/2004 Wang et al. .... D14/138 AB  
D496,917 S \* 10/2004 Brandis ..... D14/138 AB  
D496,920 S \* 10/2004 Peng et al. .... D14/138 AB  
6,850,226 B2 2/2005 Finke-Anlauff  
D526,973 S \* 8/2006 Gates et al. .... D13/184  
7,107,018 B2 9/2006 Jellicoe  
D566,095 S \* 4/2008 Davis ..... D14/144  
D568,304 S \* 5/2008 Park ..... D14/240  
D578,711 S \* 10/2008 Burrow et al. .... D28/82

D596,622 S \* 7/2009 Lee ..... D14/218  
D597,514 S \* 8/2009 Gencarella et al. ... D14/138 AC  
D601,537 S \* 10/2009 Wang et al. .... D14/138 R  
2005/0070348 A1 3/2005 Lee et al.  
2006/0199607 A1 9/2006 Shi et al.  
2006/0211384 A1\* 9/2006 Kayzar et al. .... 455/90.3

## FOREIGN PATENT DOCUMENTS

WO DM/061922 \* 11/2002

## OTHER PUBLICATIONS

Dvice, The Intruder: cell phone or flying saucer?, 2 pp, Mar. 19, 2009,  
[http://dvice.com/archives/2007/04/  
the\\_intruder\\_cell\\_phone\\_or\\_fly.php](http://dvice.com/archives/2007/04/the_intruder_cell_phone_or_fly.php).

\* cited by examiner

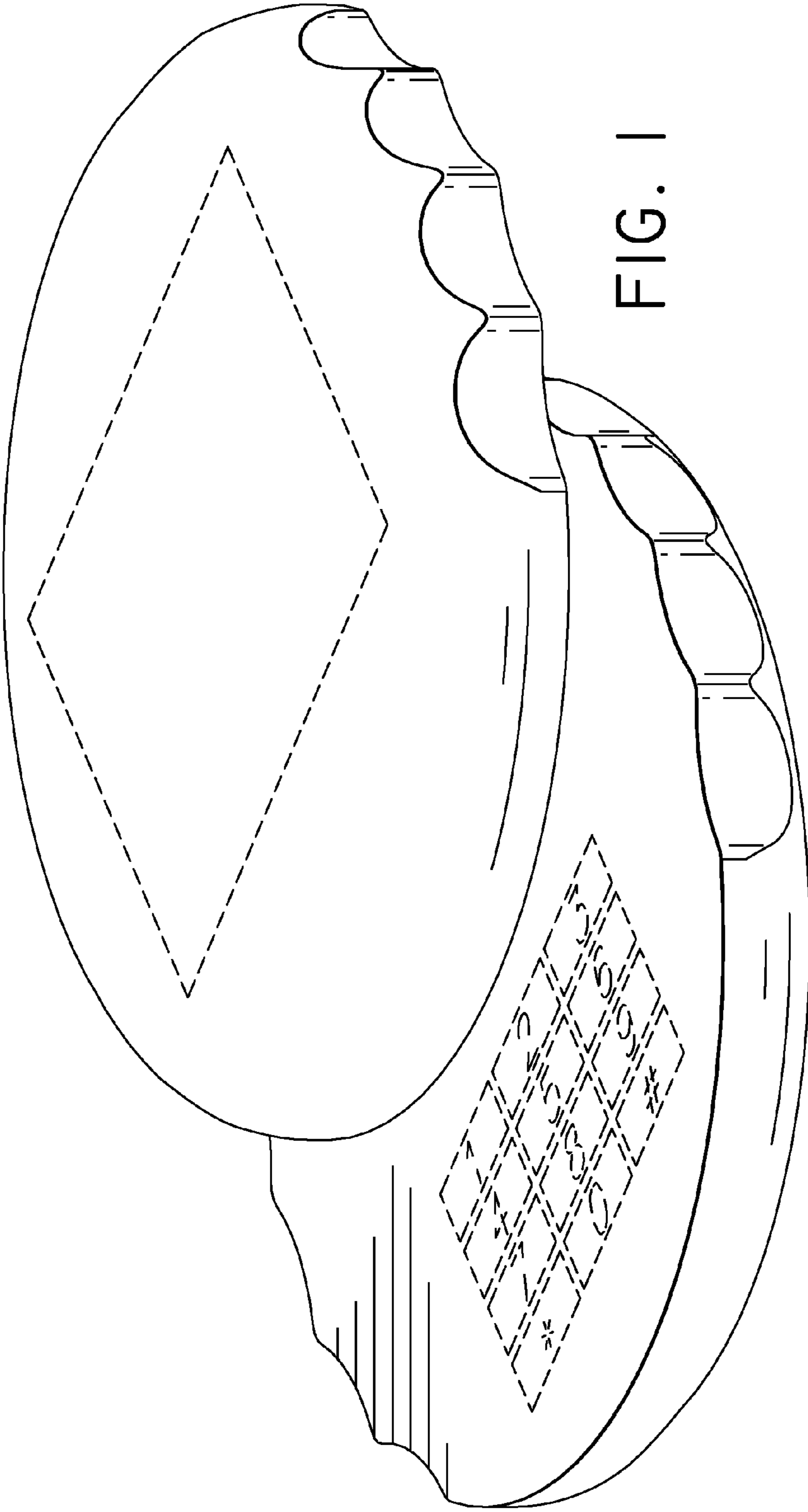


FIG. 1

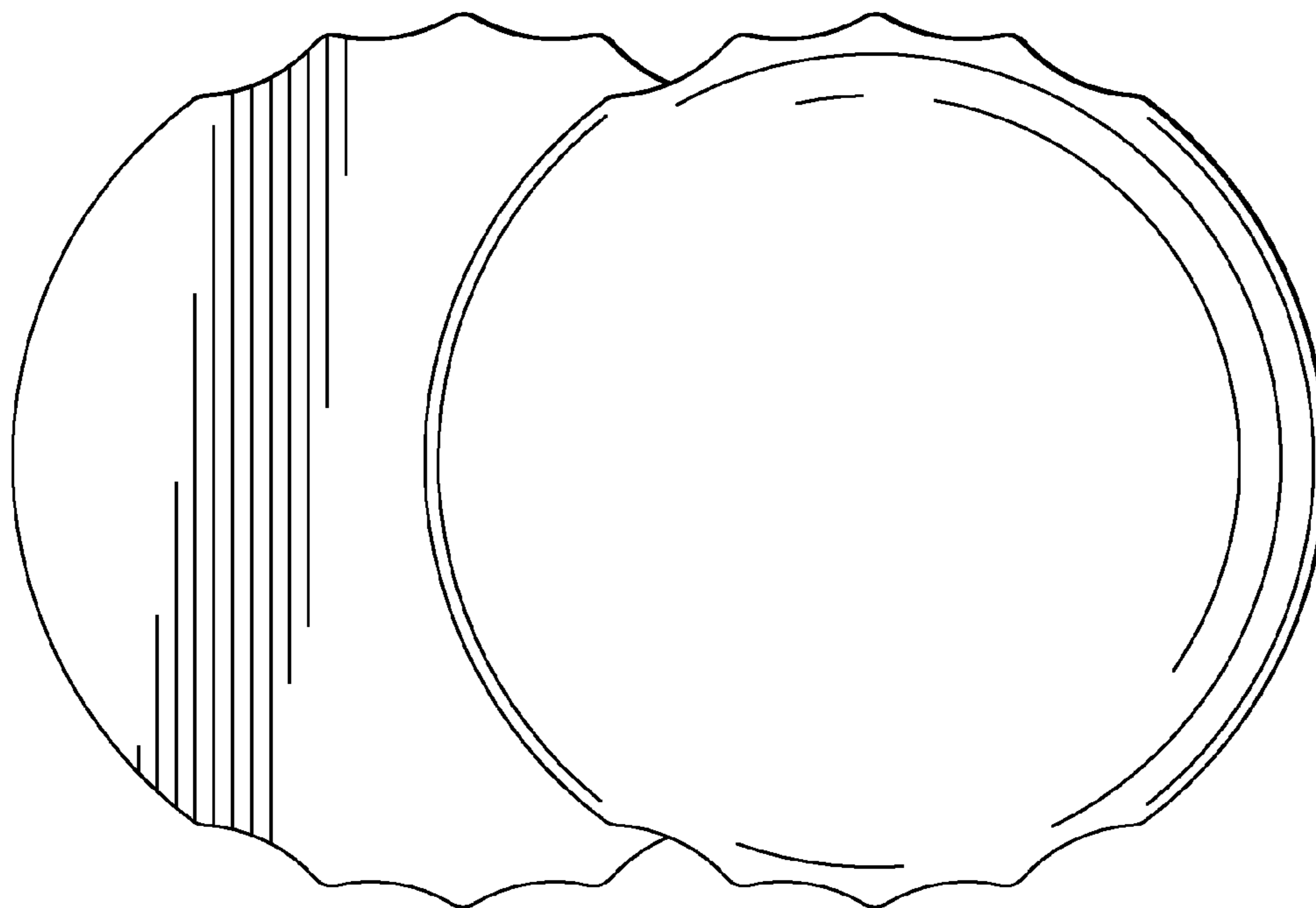


FIG. 3

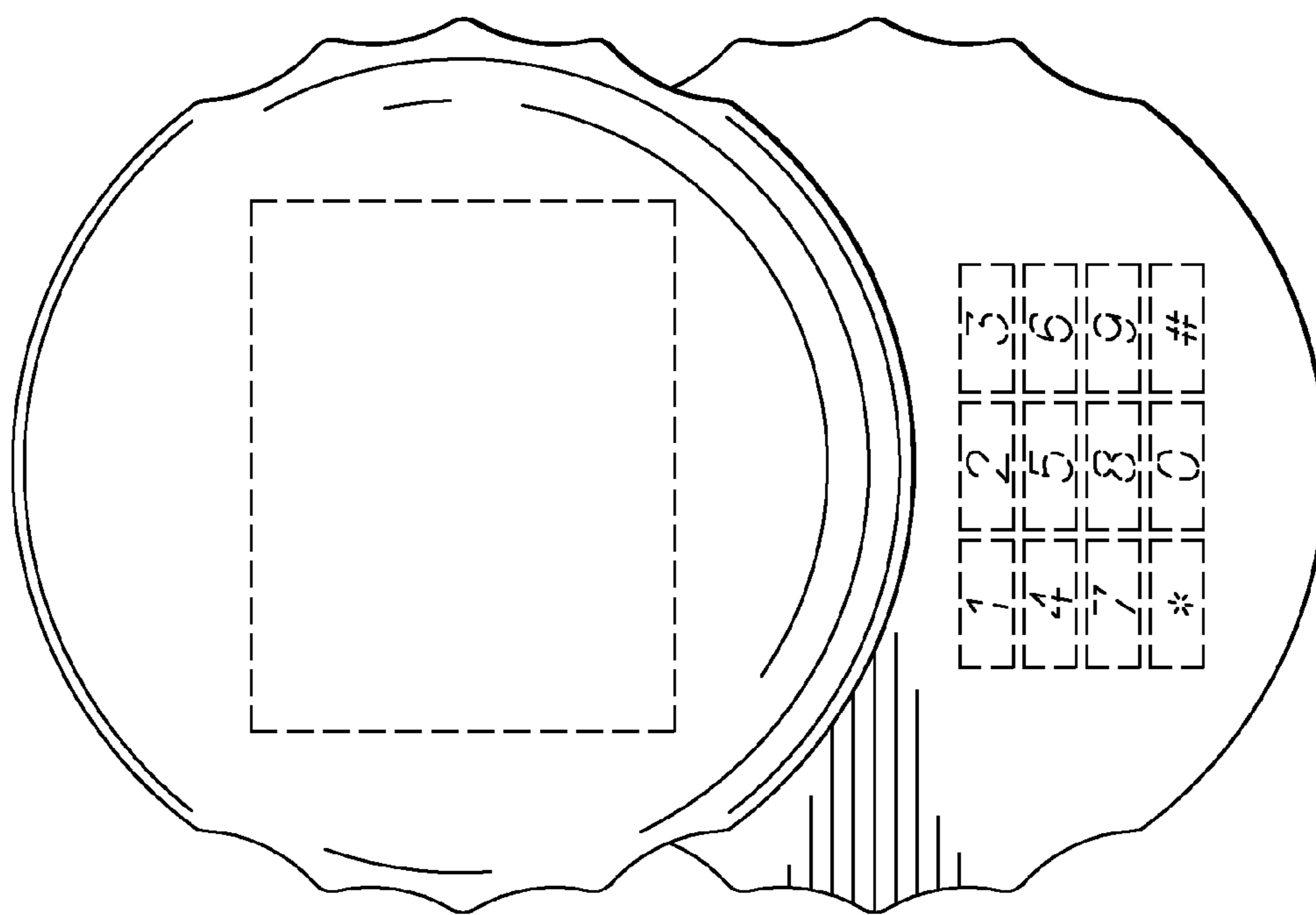


FIG. 2

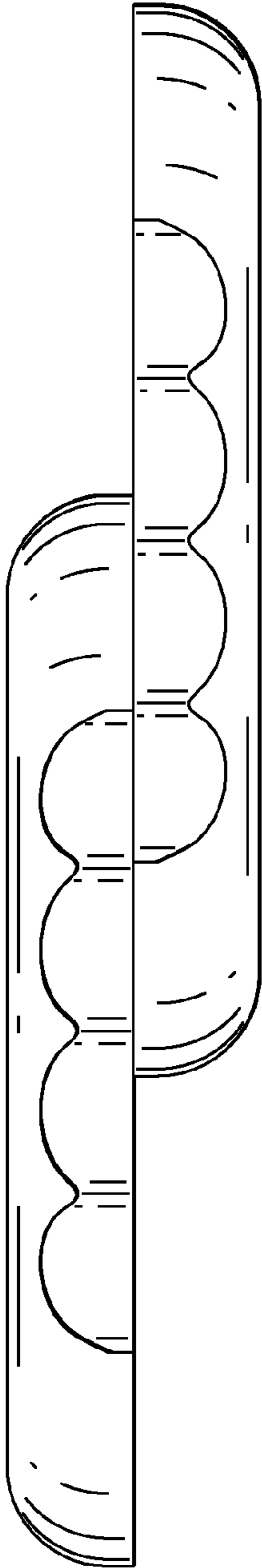


FIG. 4

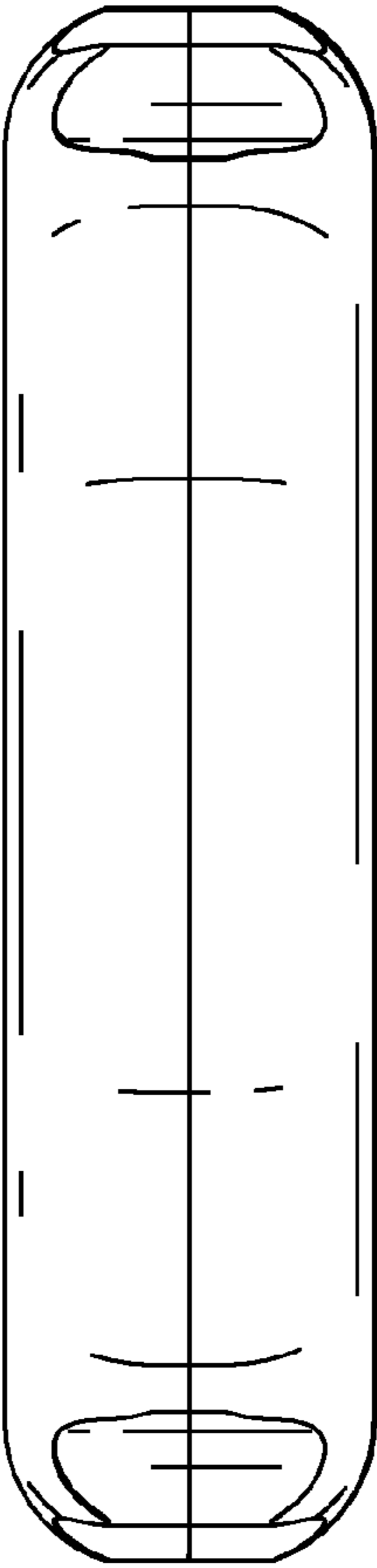


FIG. 5

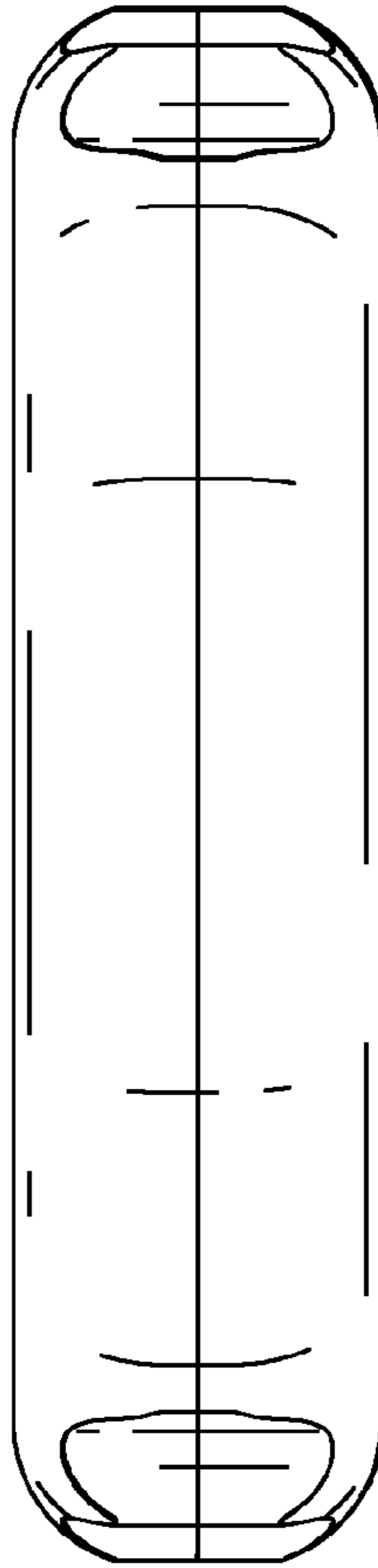


FIG. 6