



US00D616844S

(12) **United States Design Patent**
Xia

(10) **Patent No.:** **US D616,844 S**

(45) **Date of Patent:** **** Jun. 1, 2010**

(54) **RADIO TRANSCEIVER**

(75) Inventor: **Tian Xia**, Shenzhen (CN)

(73) Assignee: **Shenzhen HYT Science & Technology Co. Ltd.**, Shenzhen (CN)

(**) Term: **14 Years**

(21) Appl. No.: **29/339,202**

(22) Filed: **Jun. 26, 2009**

(30) **Foreign Application Priority Data**

Mar. 16, 2009 (CN) 2009 3 0164415

(51) **LOC (9) Cl.** **14-03**

(52) **U.S. Cl.** **D14/137**

(58) **Field of Classification Search** D14/135,
D14/137, 139, 157, 188, 197-198, 257, 258,
D14/138 R, 138 AA, 138 C, 138 AD, 138 AC,
D14/138 G, 147, 218, 341-347; 361/814;
455/90.1-90.3

See application file for complete search history.

(56) **References Cited**

U.S. PATENT DOCUMENTS

- D339,338 S * 9/1993 Tattari et al. D14/138 AA
- D353,807 S * 12/1994 White D14/138 AA
- D353,809 S * 12/1994 Nuovo et al. D14/138 AA
- 5,918,189 A * 6/1999 Kivela 455/575.1
- D436,939 S * 1/2001 Nagano et al. D14/138 AA
- D526,993 S * 8/2006 Richards et al. D14/188
- D558,179 S * 12/2007 Hansen D14/138 AA
- D564,999 S * 3/2008 Richards et al. D14/137
- D587,670 S * 3/2009 Kim et al. D14/138 AD

- D598,876 S * 8/2009 Leng et al. D14/137
- 7,605,686 B2 * 10/2009 Serfaty et al. 340/384.73
- 2005/0064822 A1 * 3/2005 Higgins et al. 455/90.2
- 2009/0197545 A1 * 8/2009 Gong et al. 455/90.2

OTHER PUBLICATIONS

Motorola XPR6500-6550, [online], [retrieved on Mar. 24, 2009]. Retrieved from Internet ,<URL: <http://www.talktwo-way.com>>.*

Fast 4161 Digital Portable Two Way Radio, [online], [retrieved on Aug. 26, 2009]. Retrieved from Internet ,<URL: <http://www.fastradios.com>>.*

ICOM IC-R20 Wide Band Handheld, [online], [retrieved on Jan. 6, 2010]. Retrieved from Internet ,<URL: <http://www.twowayradioonline.com>>.*

ICOM IC-A6 VHF Airband, [online], [retrieved on Jan. 6, 2010]. Retrieved from Internet ,<URL: <http://www.twowayradioonline.com>>.*

* cited by examiner

Primary Examiner—Jeffrey D Asch
Assistant Examiner—Bridget L Eland

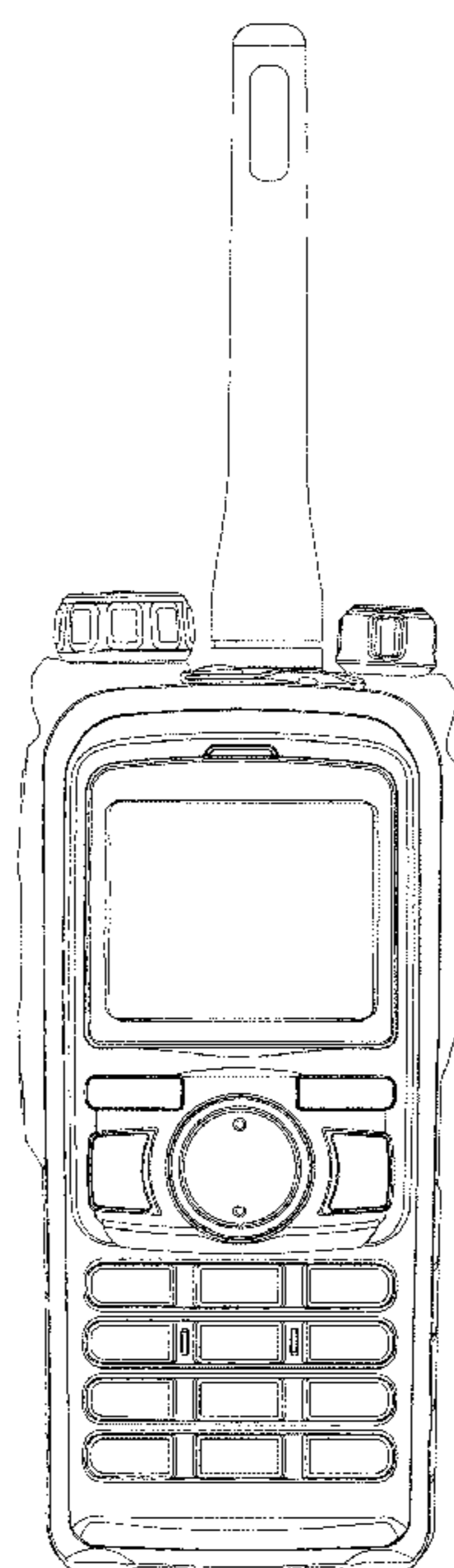
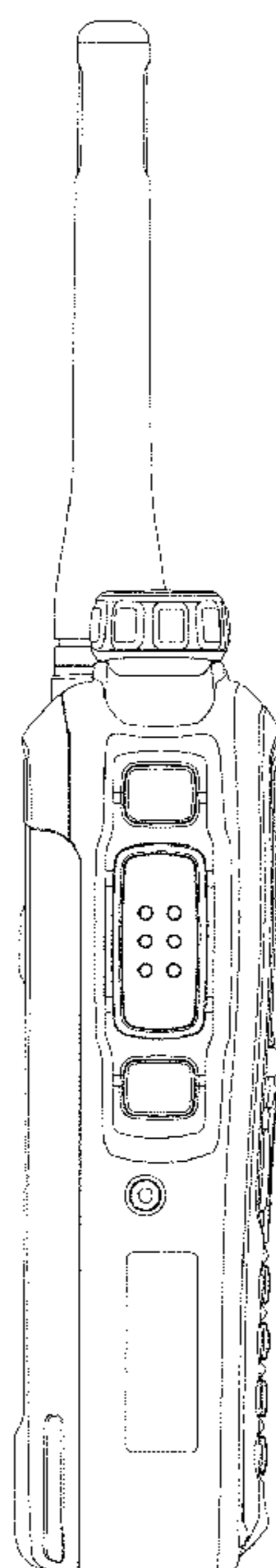
(57) **CLAIM**

The ornamental design for a radio transceiver, as shown.

DESCRIPTION

FIG. 1 is a left view of a radio transceiver;
FIG. 2 is a front view of the radio transceiver;
FIG. 3 is a right view of the radio transceiver;
FIG. 4 is a back view of the radio transceiver;
FIG. 5 is a bottom view of the radio transceiver; and,
FIG. 6 is a top view of the radio transceiver.

1 Claim, 3 Drawing Sheets



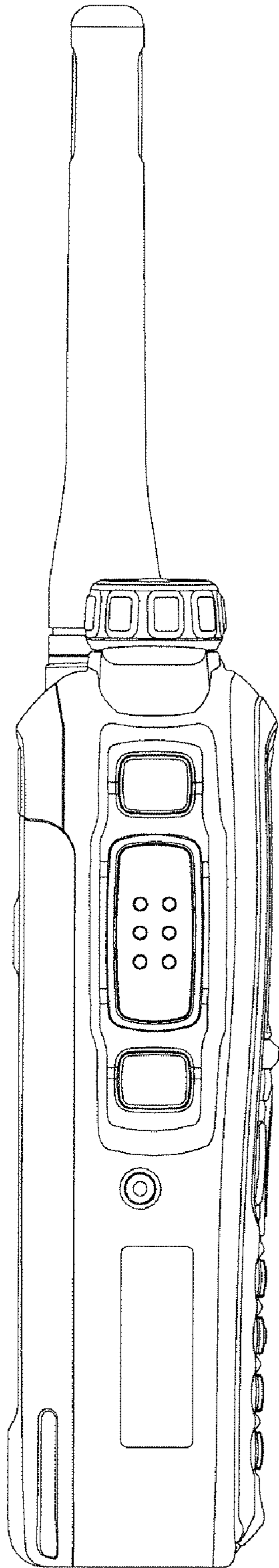


Figure 1

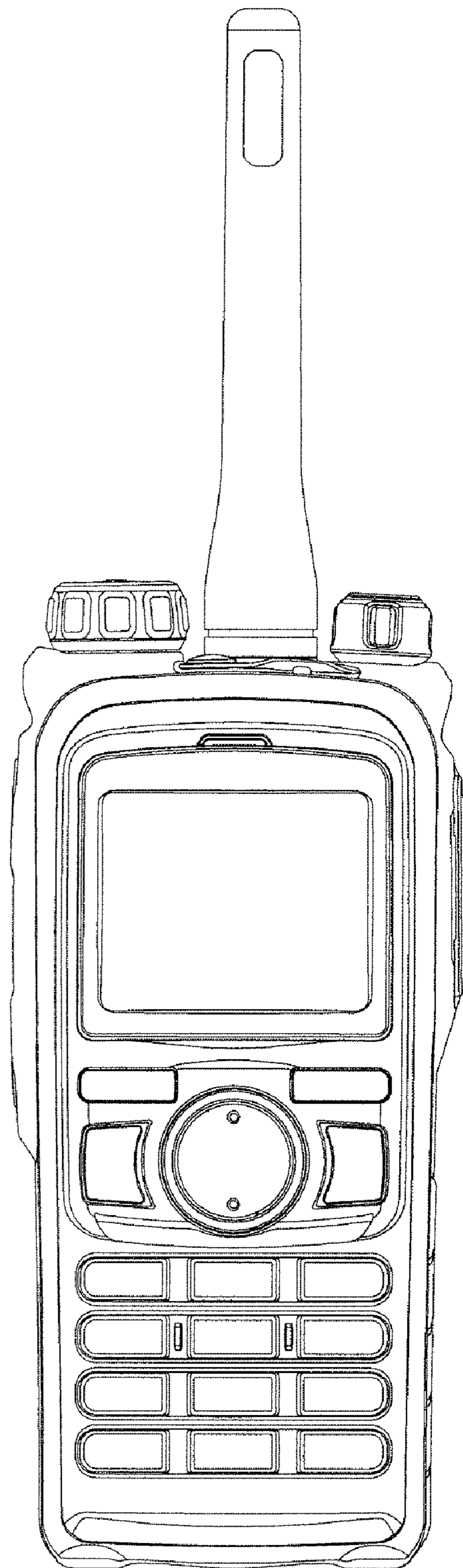


Figure 2

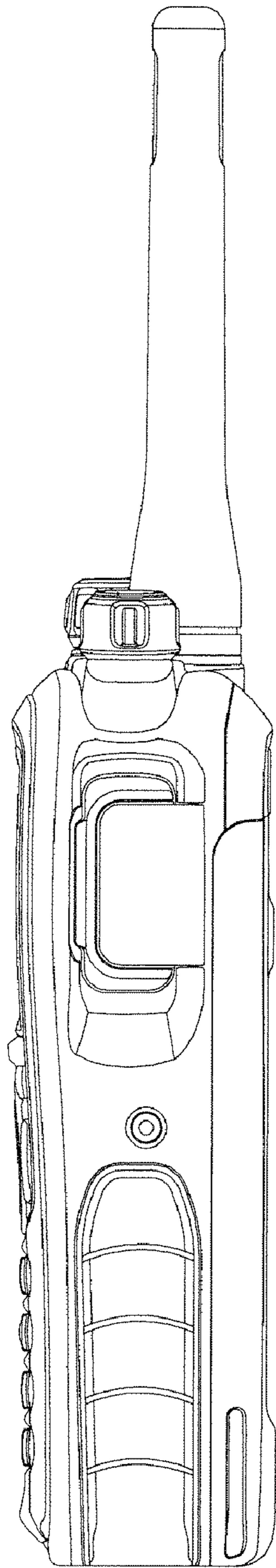


Figure 3

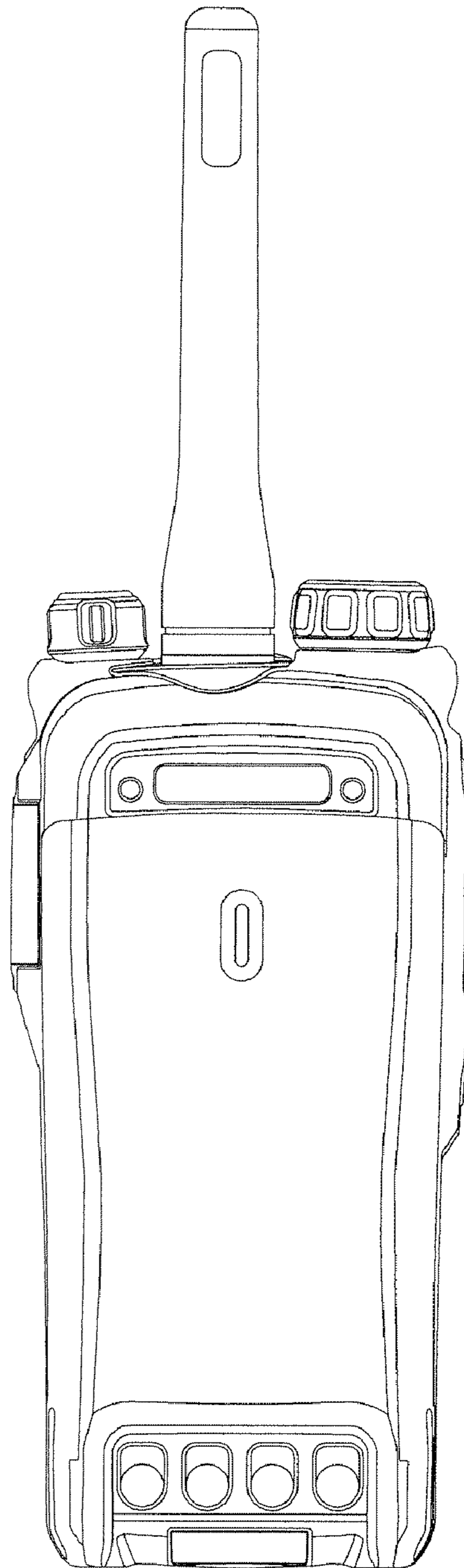


Figure 4

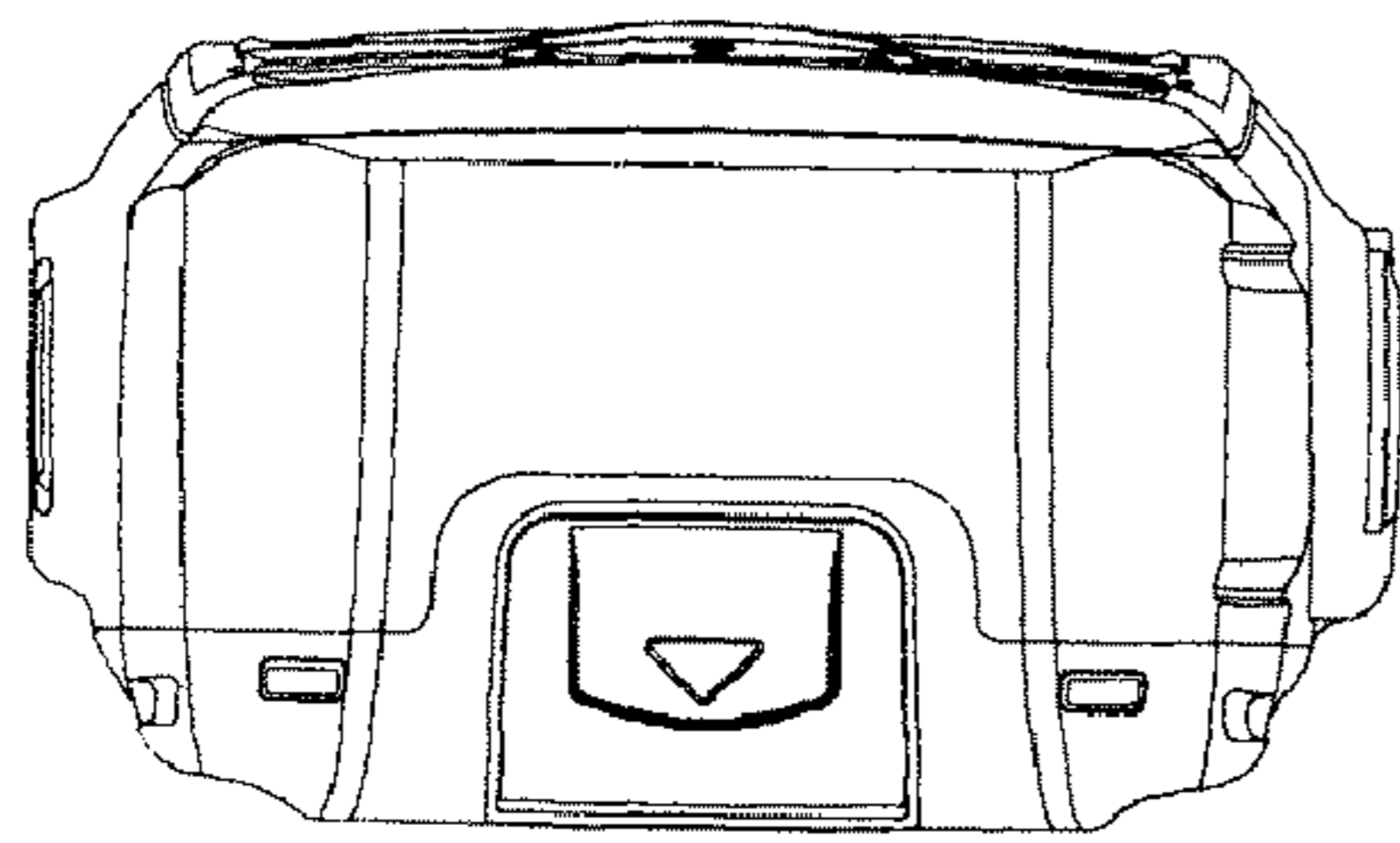


Figure 5

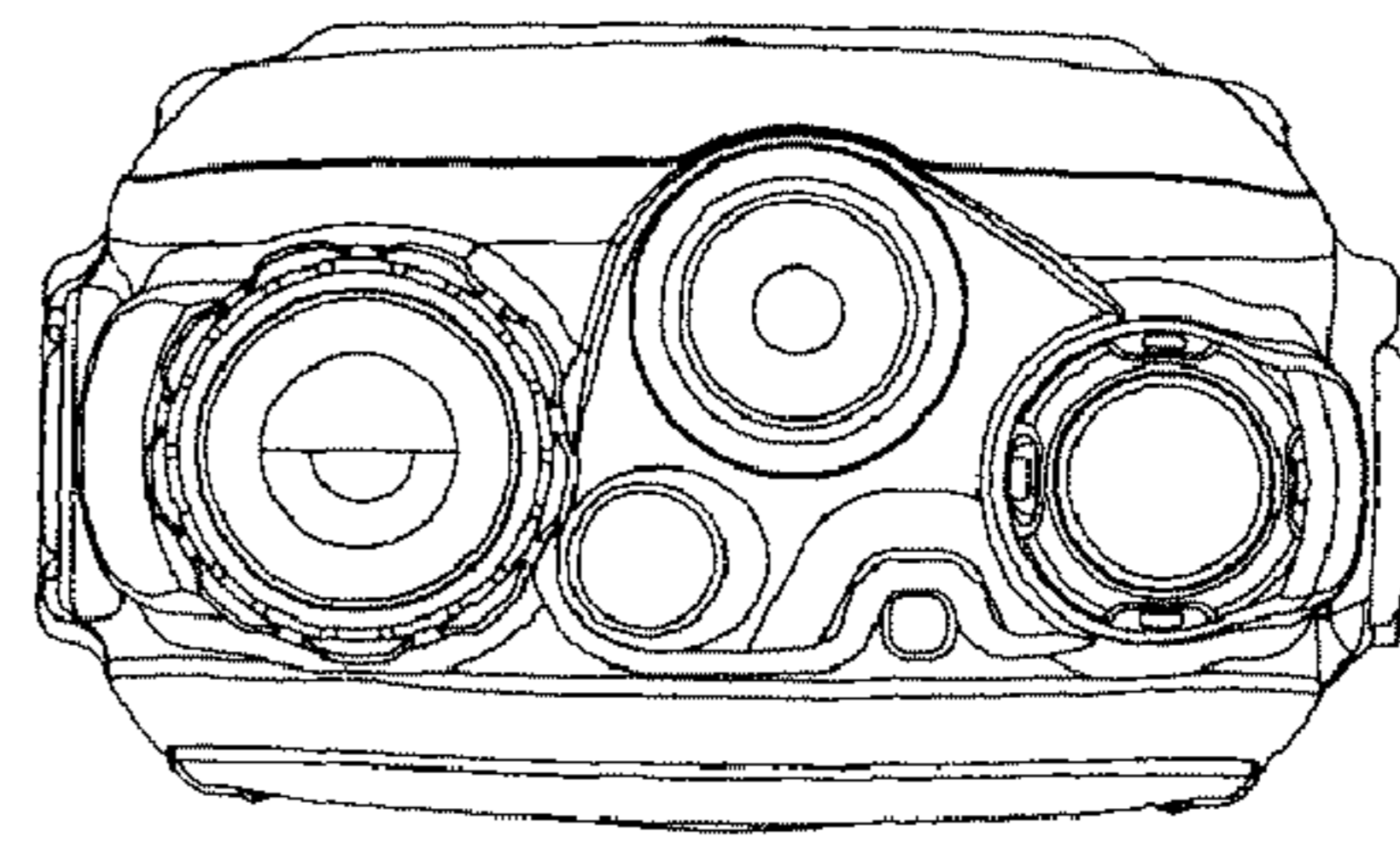


Figure 6