



US00D616841S

(12) **United States Design Patent**  
**Kim et al.**

(10) **Patent No.:** **US D616,841 S**  
(45) **Date of Patent:** **\*\* Jun. 1, 2010**

(54) **PDP TELEVISION RECEIVER**

(75) Inventors: **Ja Young Kim**, Seoul (KR); **Sung Gu Joe**, Seoul (KR); **Sung Hoon Oh**, Seoul (KR); **In Koo Shim**, Gyeonggi-do (KR)

(73) Assignee: **LG Electronics Inc.**, Seoul (KR)

(\*\*) Term: **14 Years**

(21) Appl. No.: **29/343,552**

(22) Filed: **Sep. 15, 2009**

(30) **Foreign Application Priority Data**

May 22, 2009 (KR) ..... 30-2009-0022126

(51) **LOC (9) Cl.** ..... **14-03**

(52) **U.S. Cl.** ..... **D14/126**

(58) **Field of Classification Search** ..... D14/125-134, D14/239, 371, 136, 374-377, 440, 450, 448, D14/336, 342; 312/7.2; 348/836, 838, 180, 348/184, 325, 739; 341/12; 248/917-924, 248/465; 345/104, 133, 156, 168, 87, 173; 720/605, 669, 600, 655; 369/99, 197; D21/329, D21/515, 577, 622, 333, 433, 448, 452, 450, D21/331; D6/477, 479, 300; 273/148 B; 446/484, 175, 356; D10/15, 26

See application file for complete search history.

(56) **References Cited**

**U.S. PATENT DOCUMENTS**

D545,776 S \* 7/2007 Kwon ..... D14/126

D548,708 S \* 8/2007 Park et al. .... D14/126  
D592,163 S \* 5/2009 Lee et al. .... D14/126  
D597,975 S \* 8/2009 Ohno ..... D14/126  
D601,104 S \* 9/2009 Kim ..... D14/126  
D603,816 S \* 11/2009 Kim et al. .... D14/126  
2003/0058372 A1 \* 3/2003 Williams et al. .... 348/836

\* cited by examiner

*Primary Examiner*—Raphael Barkai

(74) *Attorney, Agent, or Firm*—Birch, Stewart, Kolasch & Birch, LLP

(57) **CLAIM**

We claim the ornamental design for a PDP television receiver, as shown and described.

**DESCRIPTION**

FIG. 1 is a perspective view of a PDP television receiver showing our new design:

FIG. 2 is a front elevation view thereof;

FIG. 3 is a rear elevation view thereof;

FIG. 4 is a left-side elevation view thereof;

FIG. 5 is a right-side elevation view thereof;

FIG. 6 is a top plan view thereof; and,

FIG. 7 is a bottom plan view thereof.

**1 Claim, 5 Drawing Sheets**

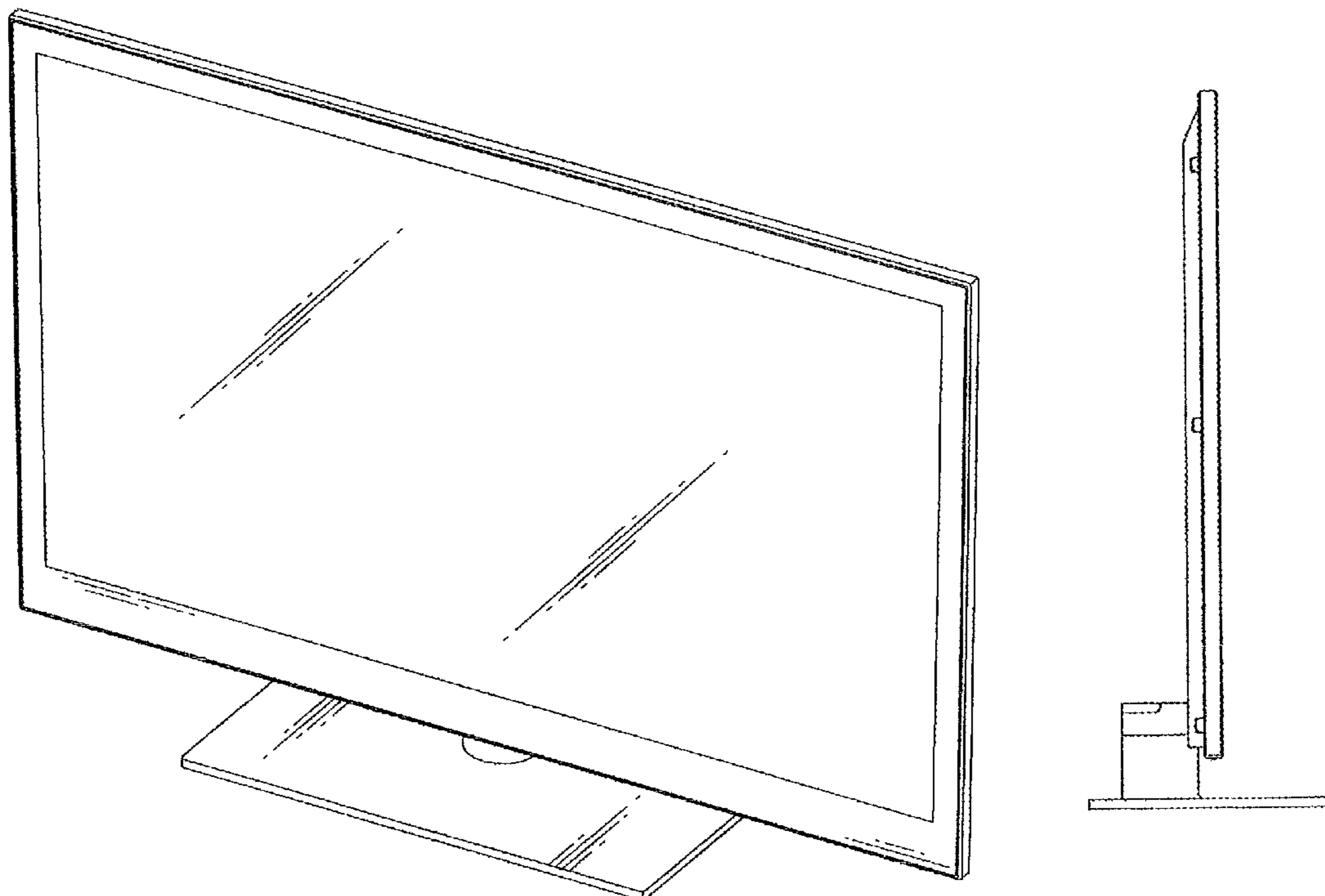


FIG. 1

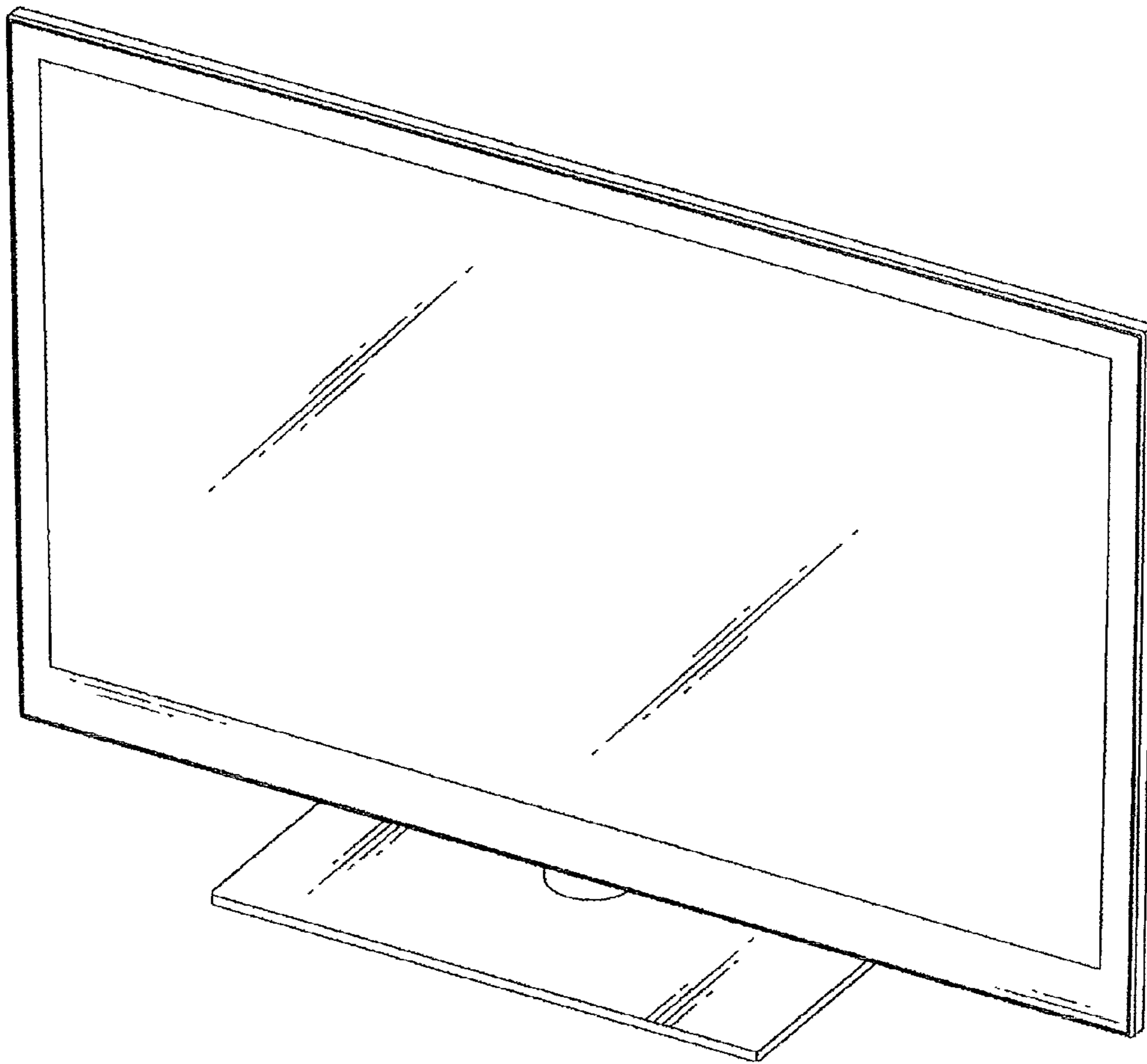


FIG. 2

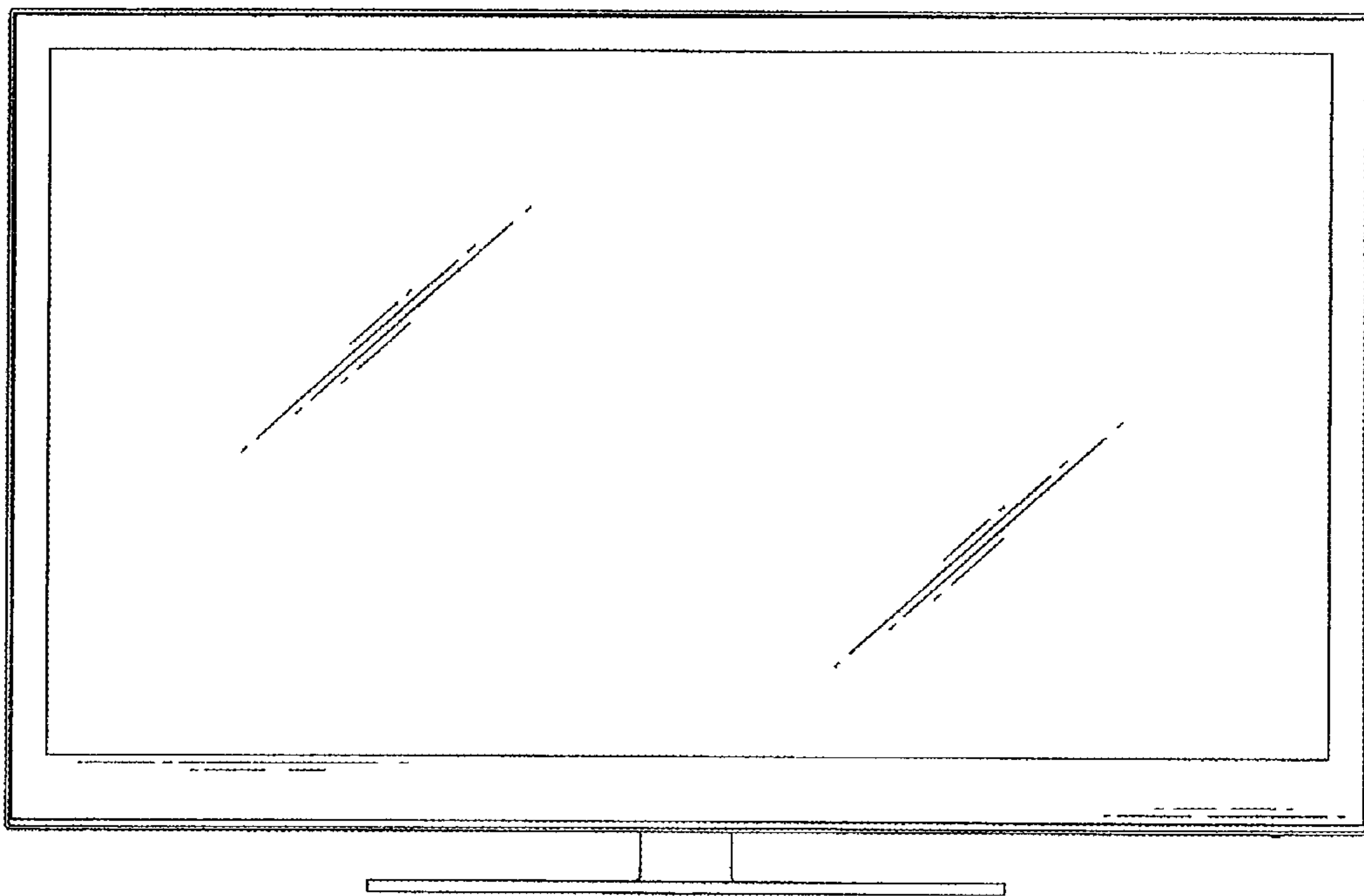


FIG. 3

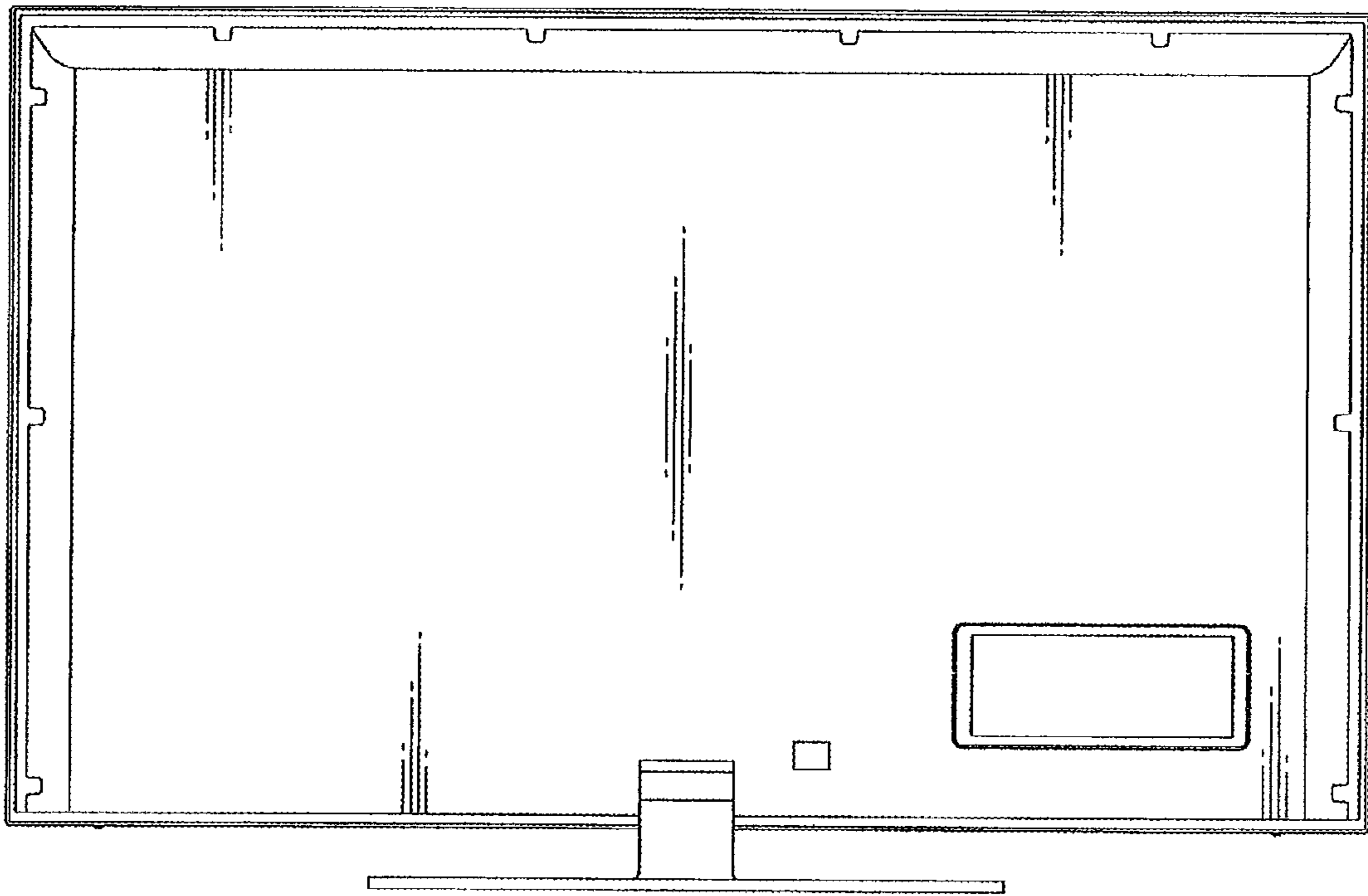


FIG. 4

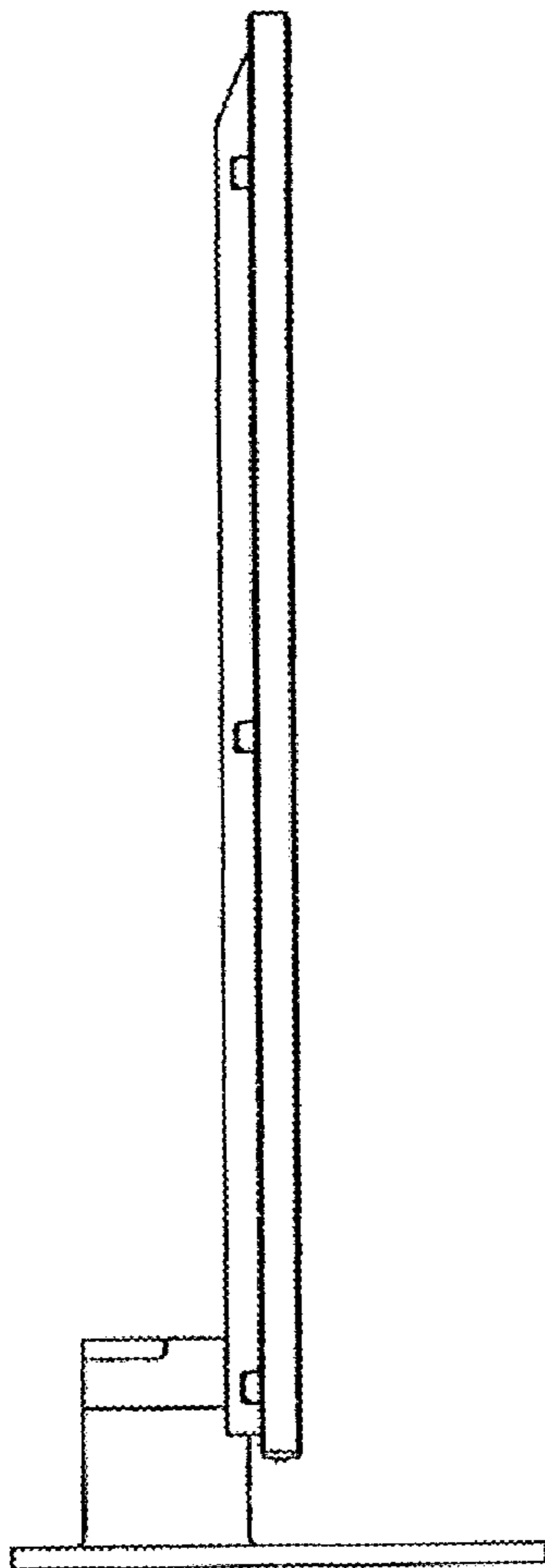


FIG. 5

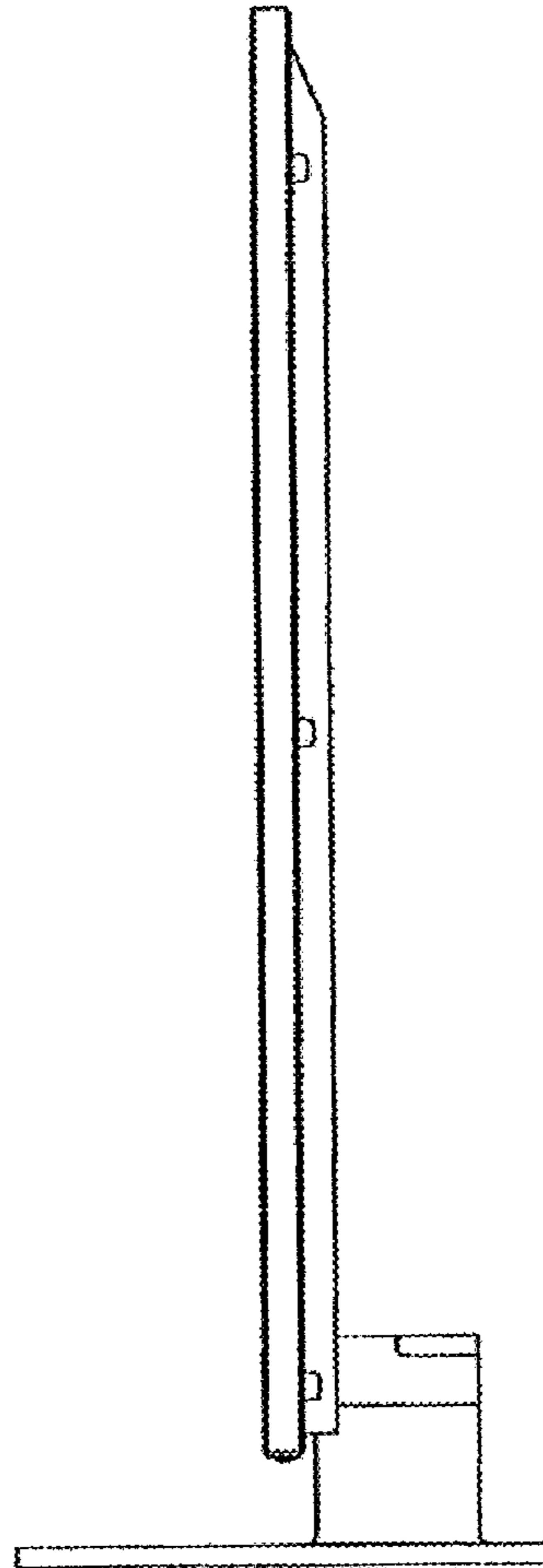


FIG. 6

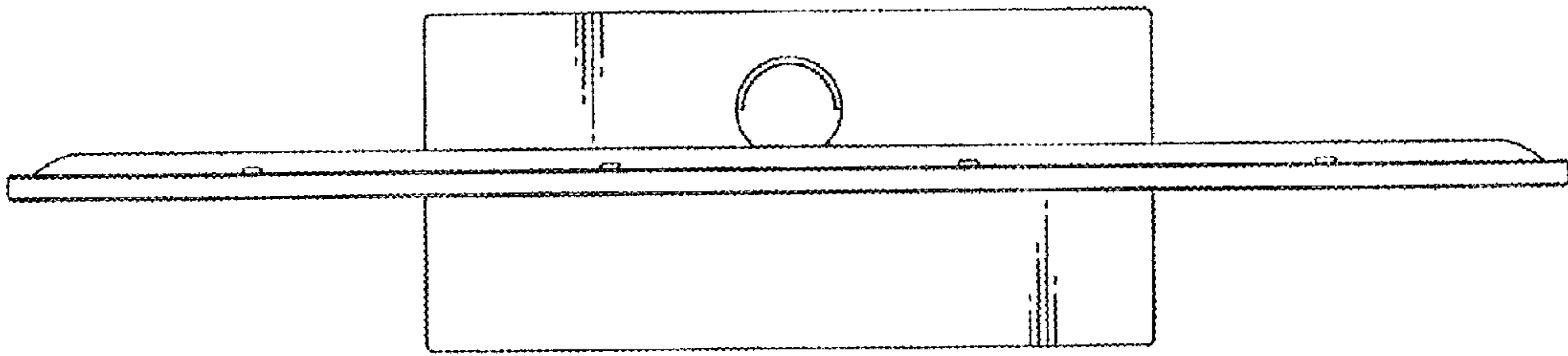


FIG. 7

