



US00D616836S

(12) **United States Design Patent**
Felegy, Jr. et al.

(10) **Patent No.:** **US D616,836 S**
(45) **Date of Patent:** **** *Jun. 1, 2010**

(54) **TABLETOP REMOTE LOAD CONTROL DEVICE**

(75) Inventors: **Edward M. Felegy, Jr.**, Macungie, PA (US); **David William Petrillo**, Pennington, NJ (US); **Gregory M. Snyder**, Germansville, PA (US); **Gregory Altonen**, Easton, PA (US); **Elliot G. Jacoby**, Glenside, PA (US); **Noel Mayo**, Philadelphia, PA (US); **Joel S. Spira**, Coopersnurg, PA (US)

(73) Assignee: **Lutron Electronics Co., Inc.**, Coopersburg, PA (US)

(*) Notice: This patent is subject to a terminal disclaimer.

(**) Term: **14 Years**

(21) Appl. No.: **29/330,779**

(22) Filed: **Jan. 14, 2009**

(51) **LOC (9) Cl.** **14-03**

(52) **U.S. Cl.** **D13/168**

(58) **Field of Classification Search** D13/168;
D10/104, 106; D14/218, 247; 340/825.22,
340/825.24, 825.25, 825.31, 825.36, 825.69,
340/825.72; 341/176; 455/352

See application file for complete search history.

(56) **References Cited**

U.S. PATENT DOCUMENTS

D323,488 S 1/1992 Darnell et al.

(Continued)

OTHER PUBLICATIONS

Lutron Electronics Co., Inc., RadioRA Visor Control Transmitter Specification Submittal Sheet, Jan. 2002, 2 pages.

(Continued)

Primary Examiner—Selina Sikder

(74) *Attorney, Agent, or Firm*—Mark E. Rose; Philip N. Smith; Bridget L. McDonough

(57) **CLAIM**

We claim the ornamental design for a tabletop remote load control device, as shown and described.

DESCRIPTION

FIG. 1 is a perspective view of a tabletop remote load control device according to a first embodiment of our new design.

FIG. 2 is a front view thereof.

FIG. 3 is a left side view thereof.

FIG. 4 is a right side view thereof.

FIG. 5 is a top view thereof.

FIG. 6 is a bottom view thereof.

FIG. 7 is a perspective view of a tabletop remote load control device according to a second embodiment of our new design.

FIG. 8 is a front view thereof.

FIG. 9 is a bottom view thereof, the left side, right side, and top views, respectively, of the second embodiment being identical to the left side, right side, and top views of the first embodiment.

FIG. 10 is a perspective view of a tabletop remote load control device according to a third embodiment of our new design.

FIG. 11 is a front view thereof.

FIG. 12 is a left side view thereof.

FIG. 13 is a right side view thereof.

FIG. 14 is a top view thereof.

FIG. 15 is a bottom view thereof.

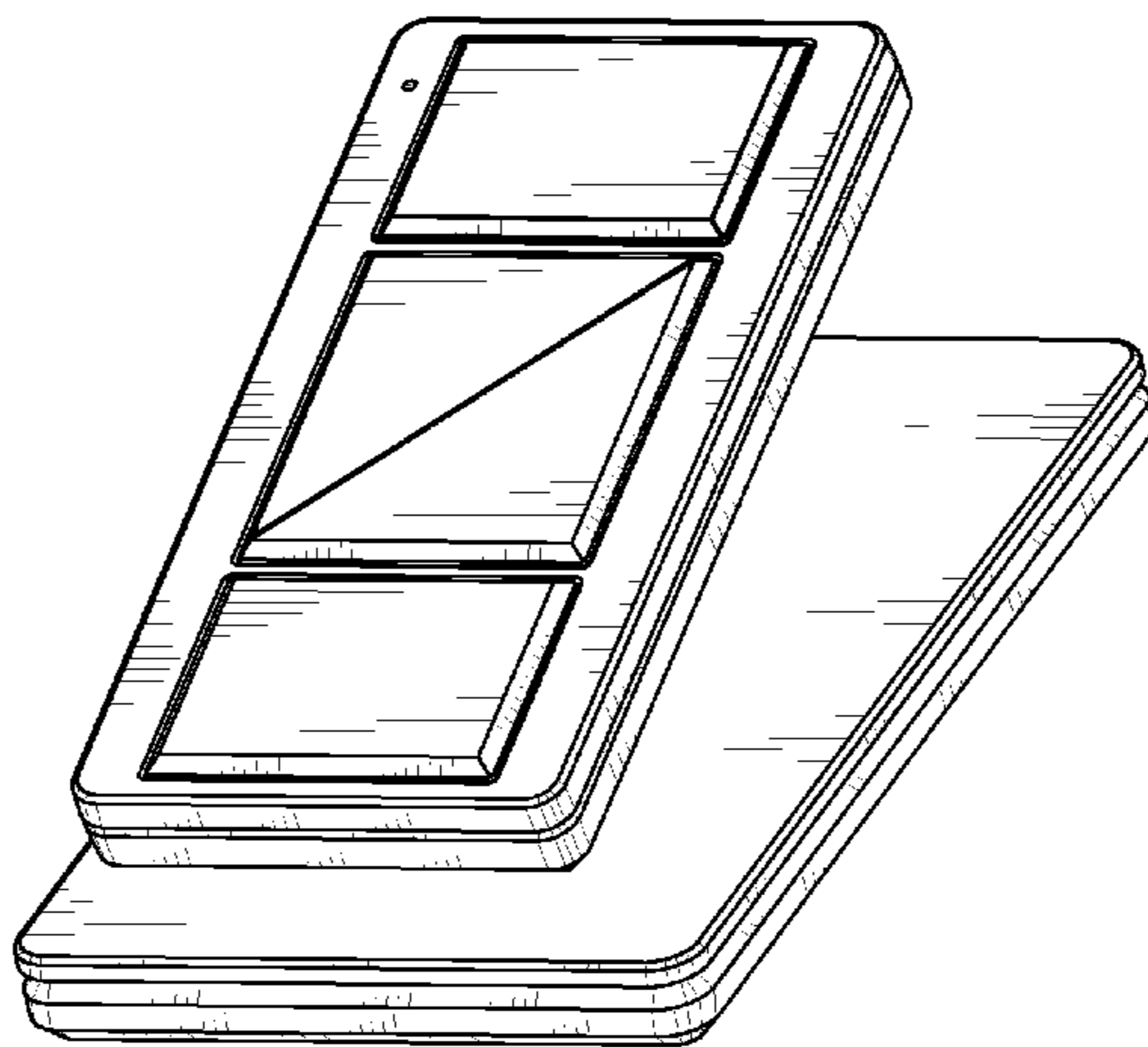
FIG. 16 is a perspective view of a tabletop remote load control device according to a fourth embodiment of our new design.

FIG. 17 is a front view thereof; and,

FIG. 18 is a bottom view thereof, the left side, right side, and top views, respectively, of the fourth embodiment being identical to the left side, right side, and top views of the third embodiment.

The rear views form no part of the design and are omitted.

1 Claim, 14 Drawing Sheets



U.S. PATENT DOCUMENTS

D353,798 S 12/1994 Bryde et al.
 D397,996 S * 9/1998 Smith D13/168
 D422,567 S 4/2000 Mayo et al.
 D437,585 S 2/2001 Mayo et al.
 D439,220 S 3/2001 Mayo et al.
 D450,043 S 11/2001 Mosebrook
 D464,635 S * 10/2002 Oyama et al. D14/147
 D537,046 S 2/2007 Blair et al.
 D539,234 S 3/2007 Blair et al.
 D539,758 S 4/2007 Blair et al.
 D543,158 S 5/2007 Blair et al.
 D543,951 S 6/2007 Blair et al.
 D546,280 S * 7/2007 Marchetto et al. D13/107
 D546,296 S 7/2007 Blair et al.
 D553,123 S * 10/2007 Solland D14/217
 D554,107 S * 10/2007 Calco et al. D14/217
 D557,259 S * 12/2007 Hirsch D14/217
 D585,844 S 2/2009 Bhate et al.
 D573,955 S 4/2009 Bhate et al.
 D592,606 S * 5/2009 Felegy et al. D13/168
 D592,607 S * 5/2009 Felegy et al. D13/168
 D592,608 S * 5/2009 Felegy et al. D13/168
 D592,609 S * 5/2009 Felegy et al. D13/168
 D592,611 S * 5/2009 Altonen et al. D13/171
 2008/0111491 A1 5/2008 Spira

2008/0218099 A1 9/2008 Newman

OTHER PUBLICATIONS

Lutron Electronics Co., Inc., RadioRA Visor Control Transmitter Installation Instruction Sheet, Nov. 2001, 2 pages.
 Lutron Electronics Co., Inc., Aurora Wireless Lighting Control Brochure, Nov. 2006, 2 pages.
 Lutron Electronics Co., Inc., Maestro Wireless Remote Lighting Control Brochure, Sep. 2007, 2 pages.
 U.S. Appl. No. 61/042,421, filed Apr. 4, 2008, Altonen et al.
 U.S. Appl. No. 29/306,219, filed Apr. 4, 2008, Felegy, Jr. et al.
 U.S. Appl. No. 29/306,223, filed Apr. 4, 2008, Felegy, Jr. et al.
 U.S. Appl. No. 29/306,225, filed Apr. 4, 2008, Felegy, Jr. et al.
 U.S. Appl. No. 29/306,226, filed Apr. 4, 2008, Altonen et al.
 U.S. Appl. No. 29/306,228, filed Apr. 4, 2008, Felegy, Jr. et al.
 U.S. Appl. No. 29/306,233, filed Apr. 4, 2008, Felegy, Jr. et al.
 U.S. Appl. No. 29/328,023, filed Nov. 8, 2008, Felegy, Jr. et al.
 U.S. Appl. No. 29/328,031, filed Nov. 8, 2008, Felegy, Jr. et al.
 U.S. Appl. No. 29/330,451, filed Jan. 7, 2009, Felegy, Jr. et al.
 U.S. Appl. No. 29/330,445, filed Jan. 7, 2009, Felegy, Jr. et al.
 U.S. Appl. No. 29/330,449, filed Jan. 7, 2009, Felegy, Jr. et al.
 U.S. Appl. No. 29/330,774, filed Jan. 14, 2009, Felegy, Jr. et al.
 U.S. Appl. No. 29/330,776, filed Jan. 14, 2009, Felegy, Jr. et al.
 U.S. Appl. No. 29/332,627, filed Feb. 20, 2009, Snyder et al.
 U.S. Appl. No. 29/332,632, filed Feb. 20, 2009, Snyder et al.
 U.S. Appl. No. 29/332,636, filed Feb. 20, 2009, Snyder et al.
 U.S. Appl. No. 29/332,637, filed Feb. 20, 2009, Snyder et al.

* cited by examiner

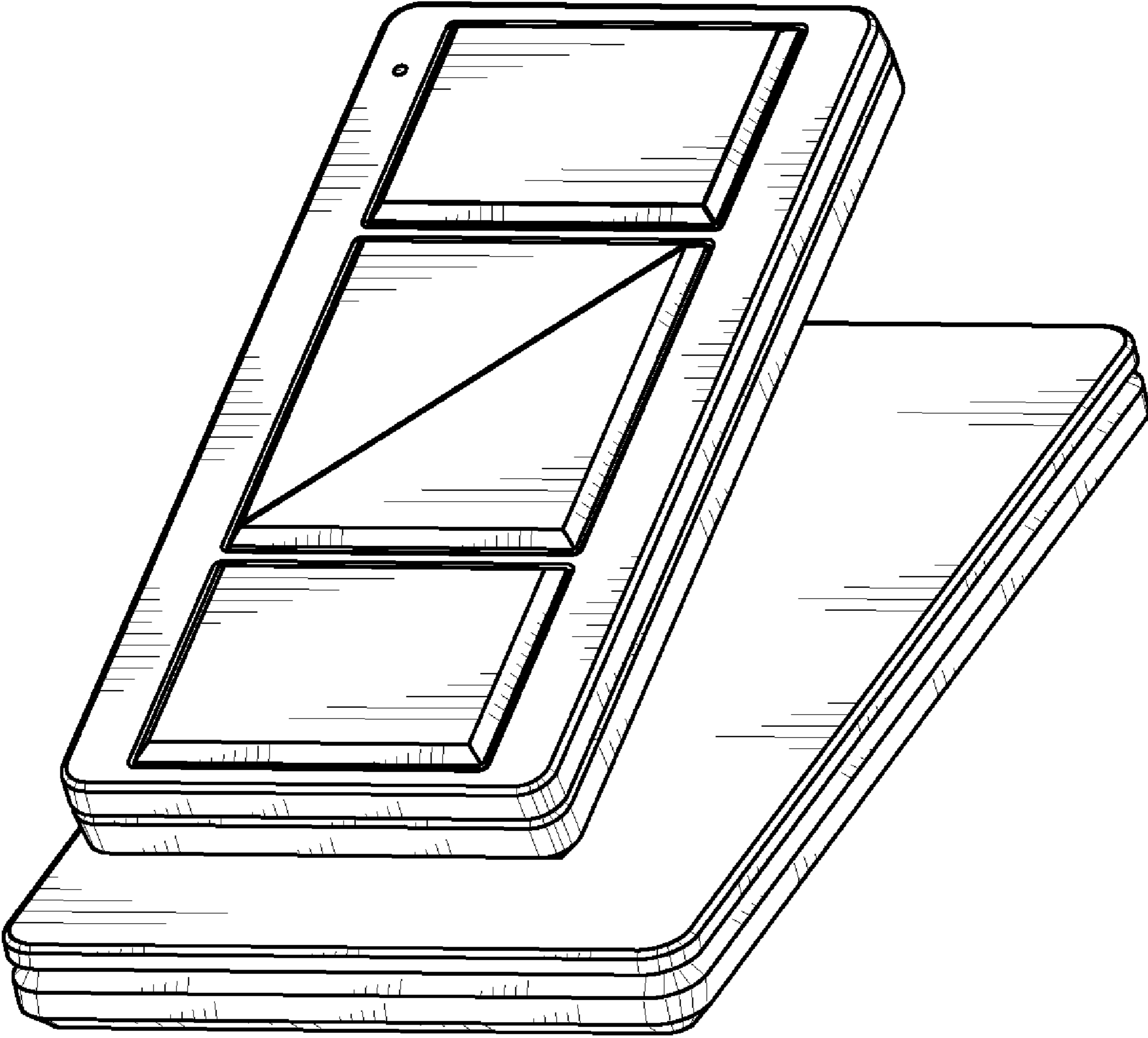


Fig. 1

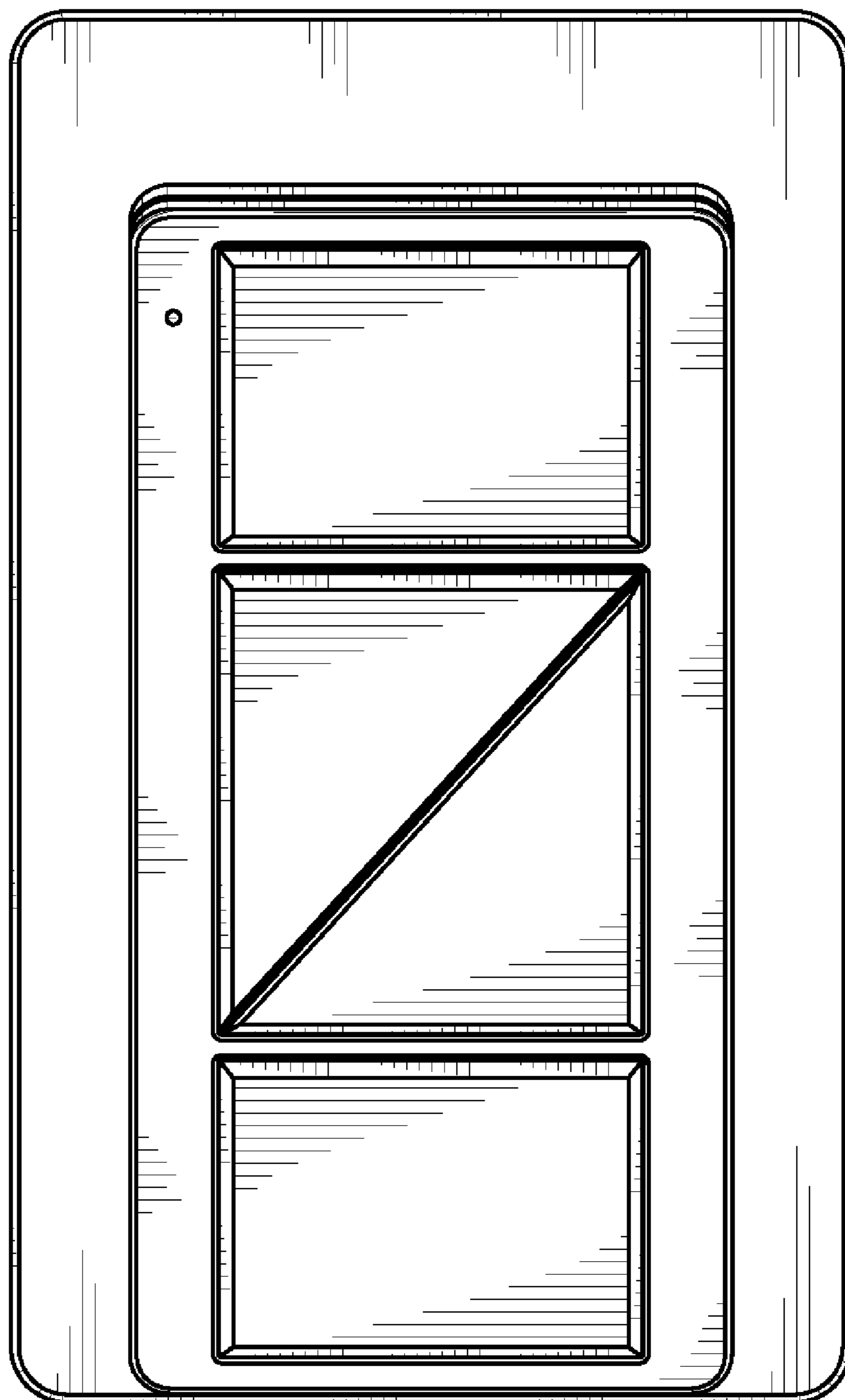


Fig. 2

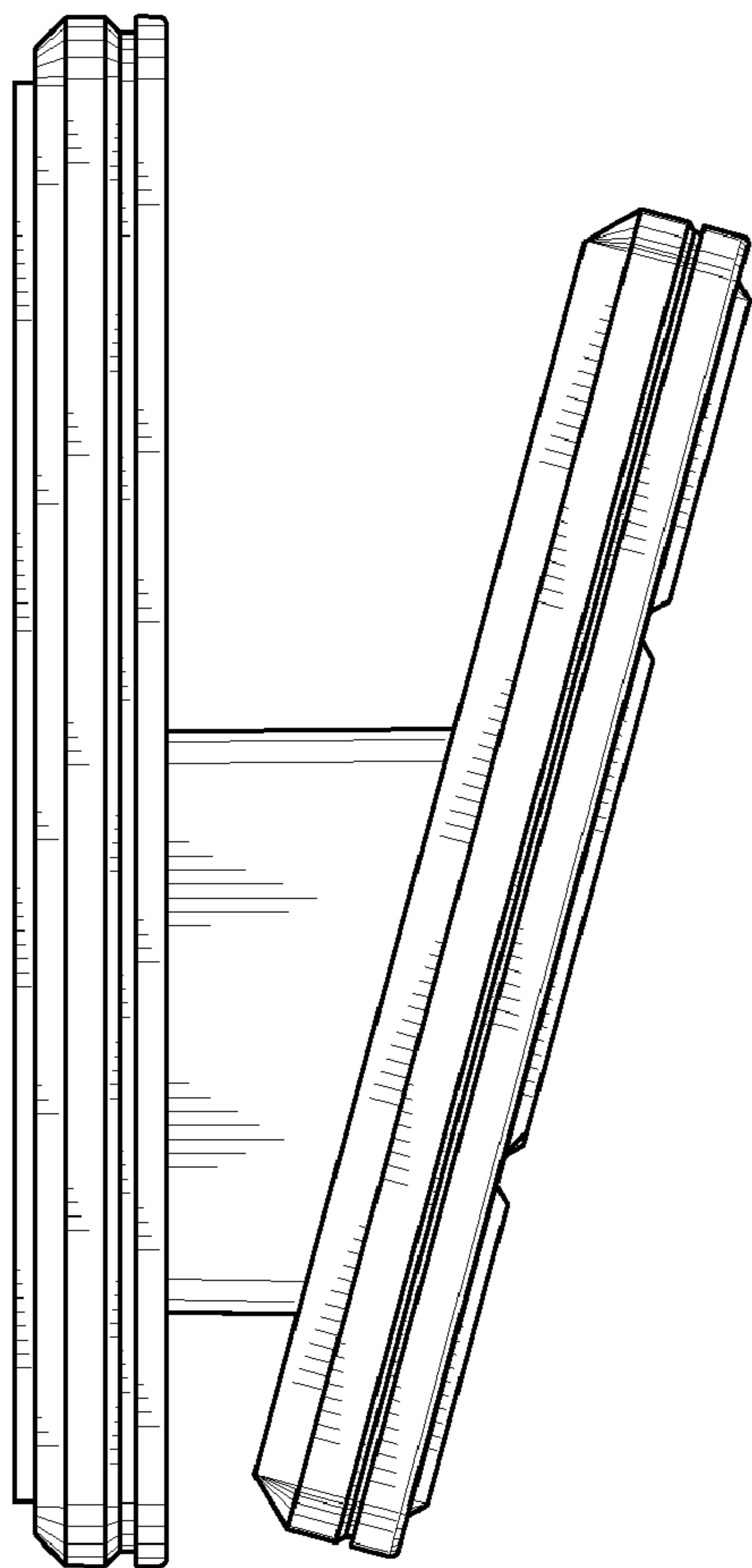


Fig. 3

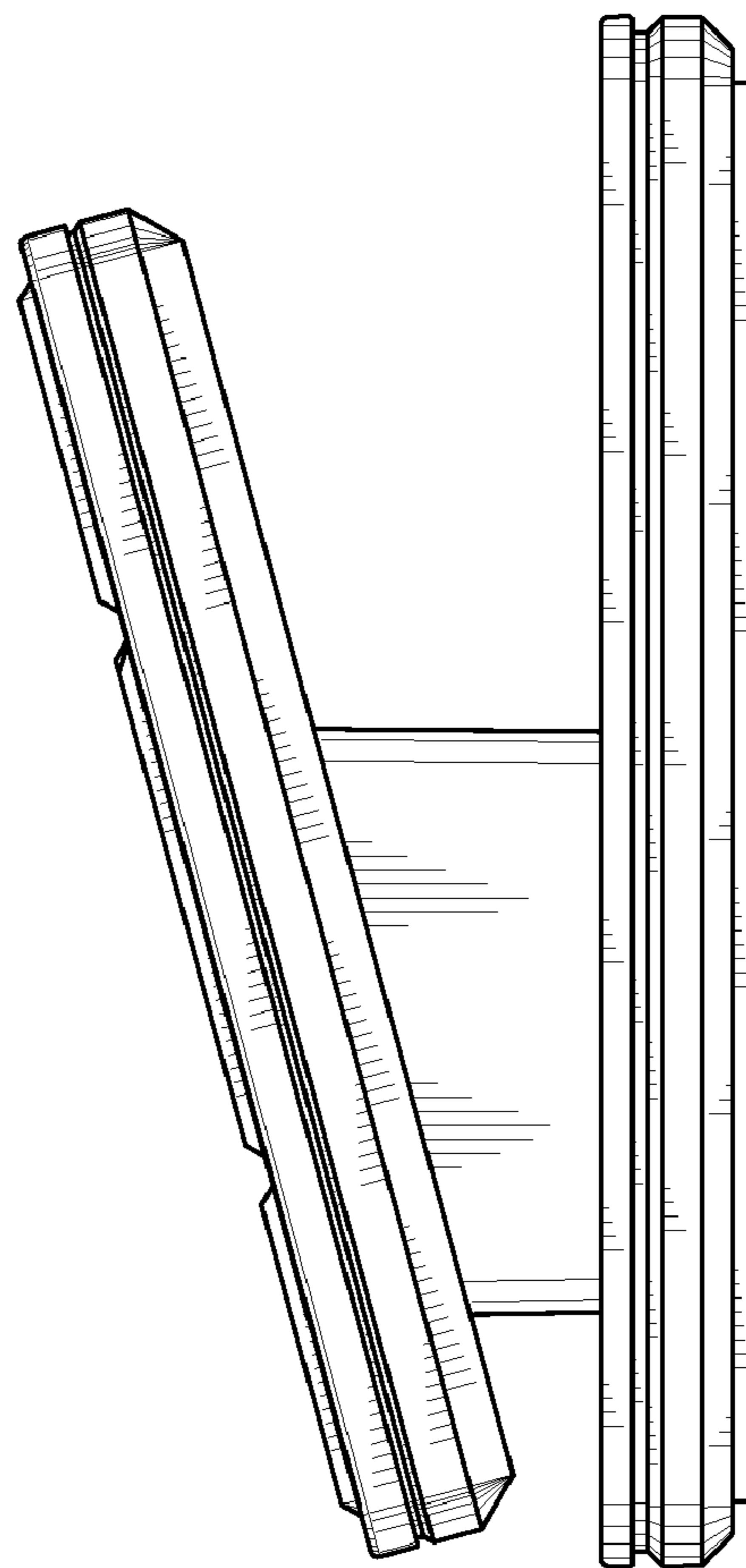


Fig. 4

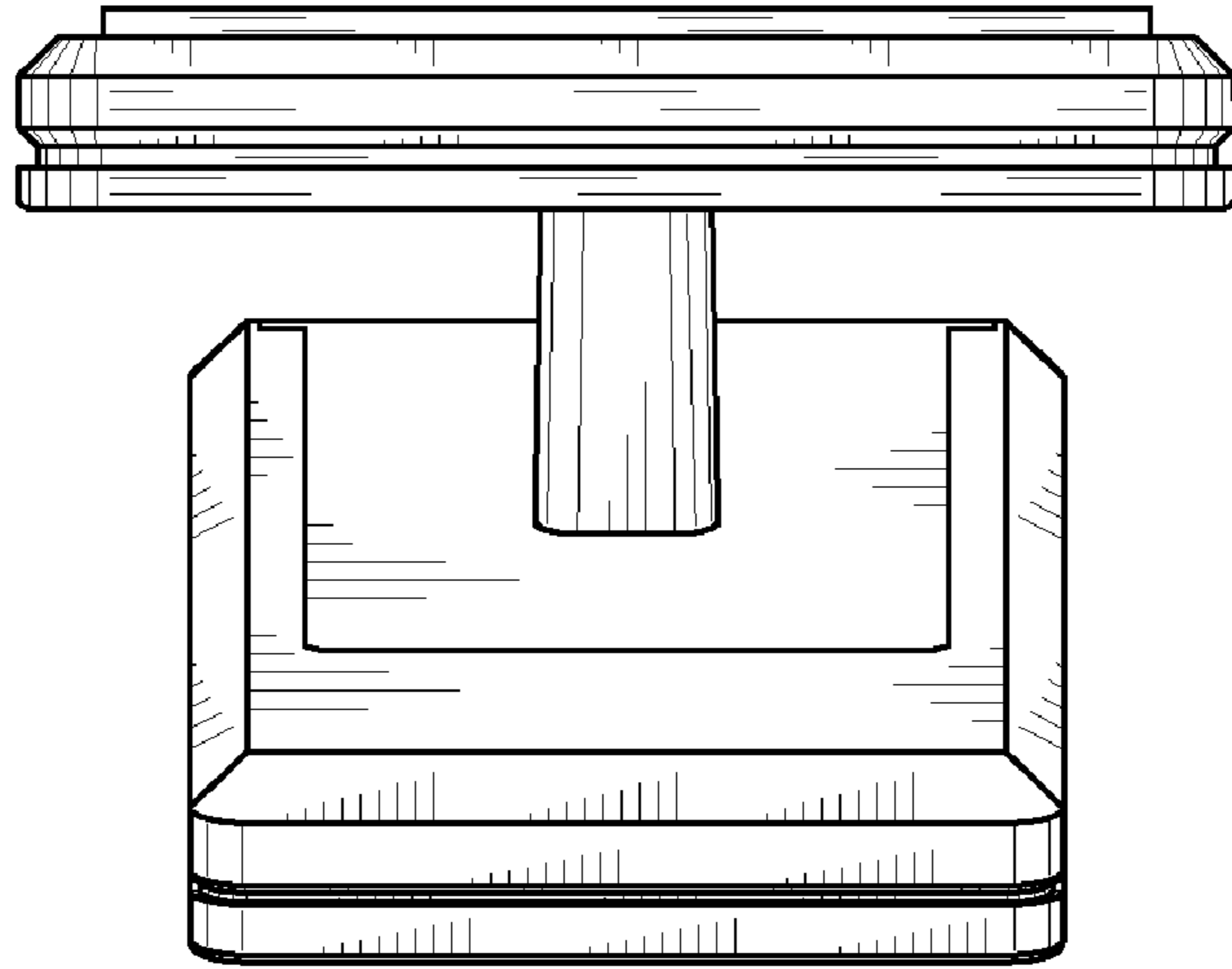


Fig. 5

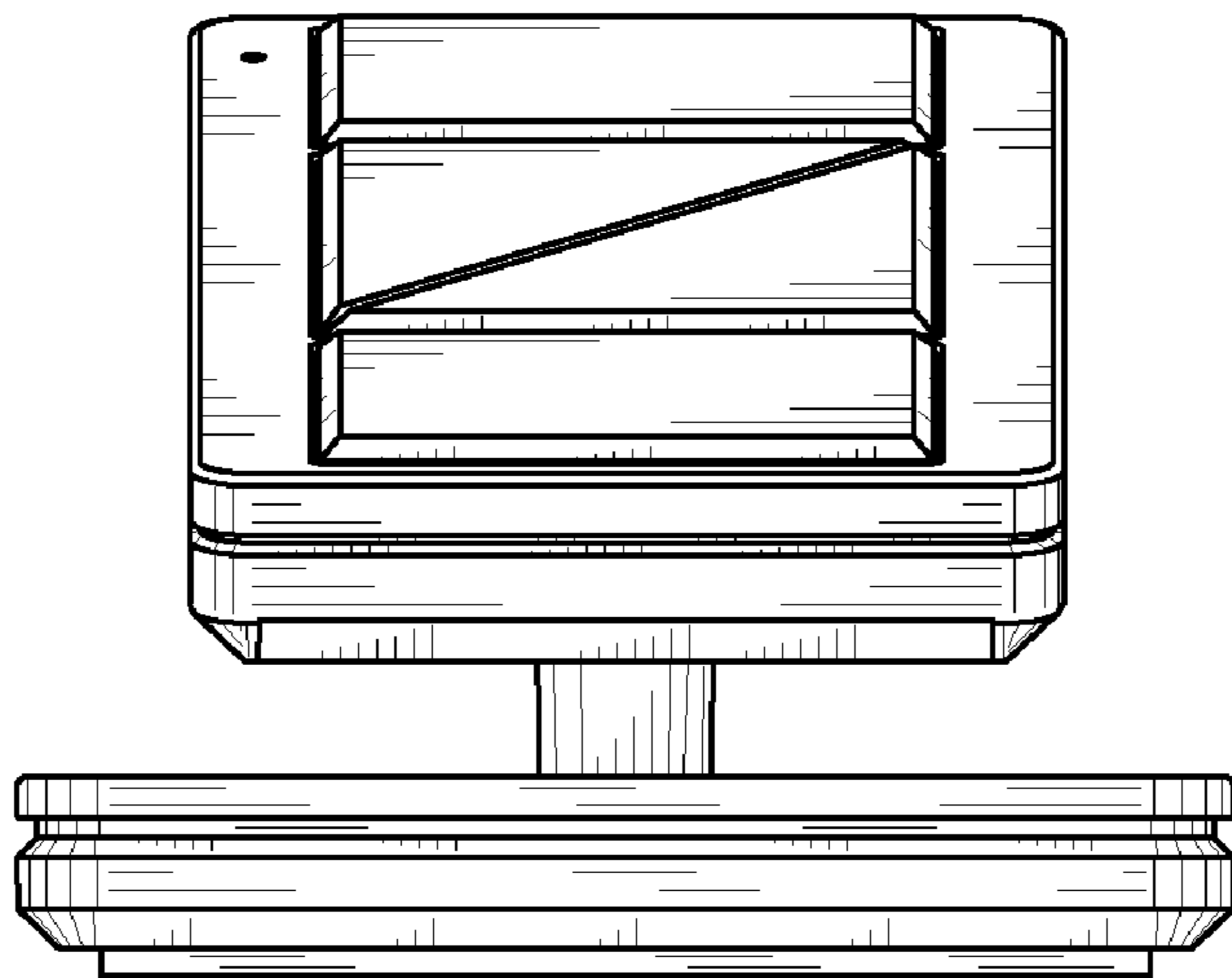


Fig. 6

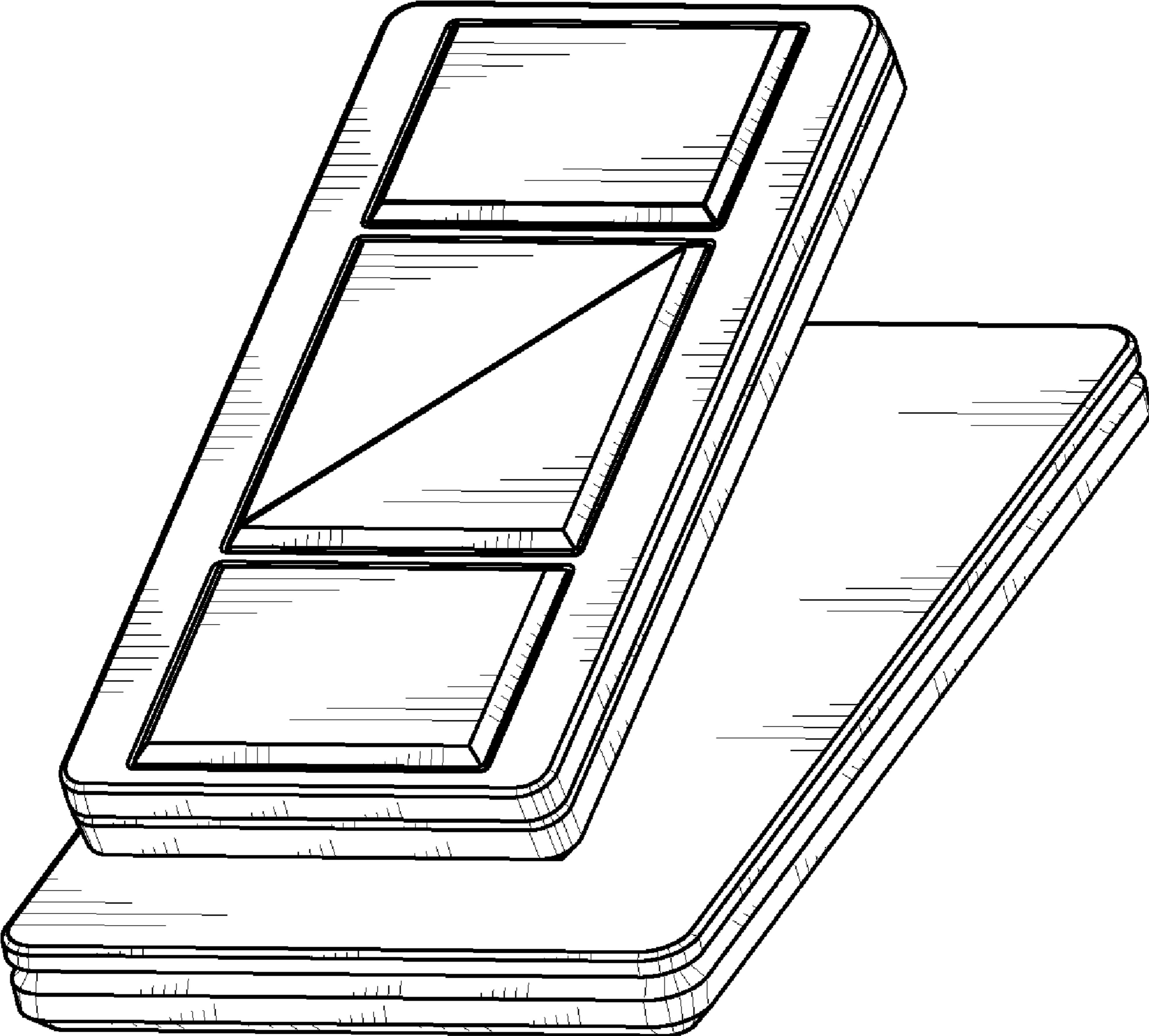


Fig. 7

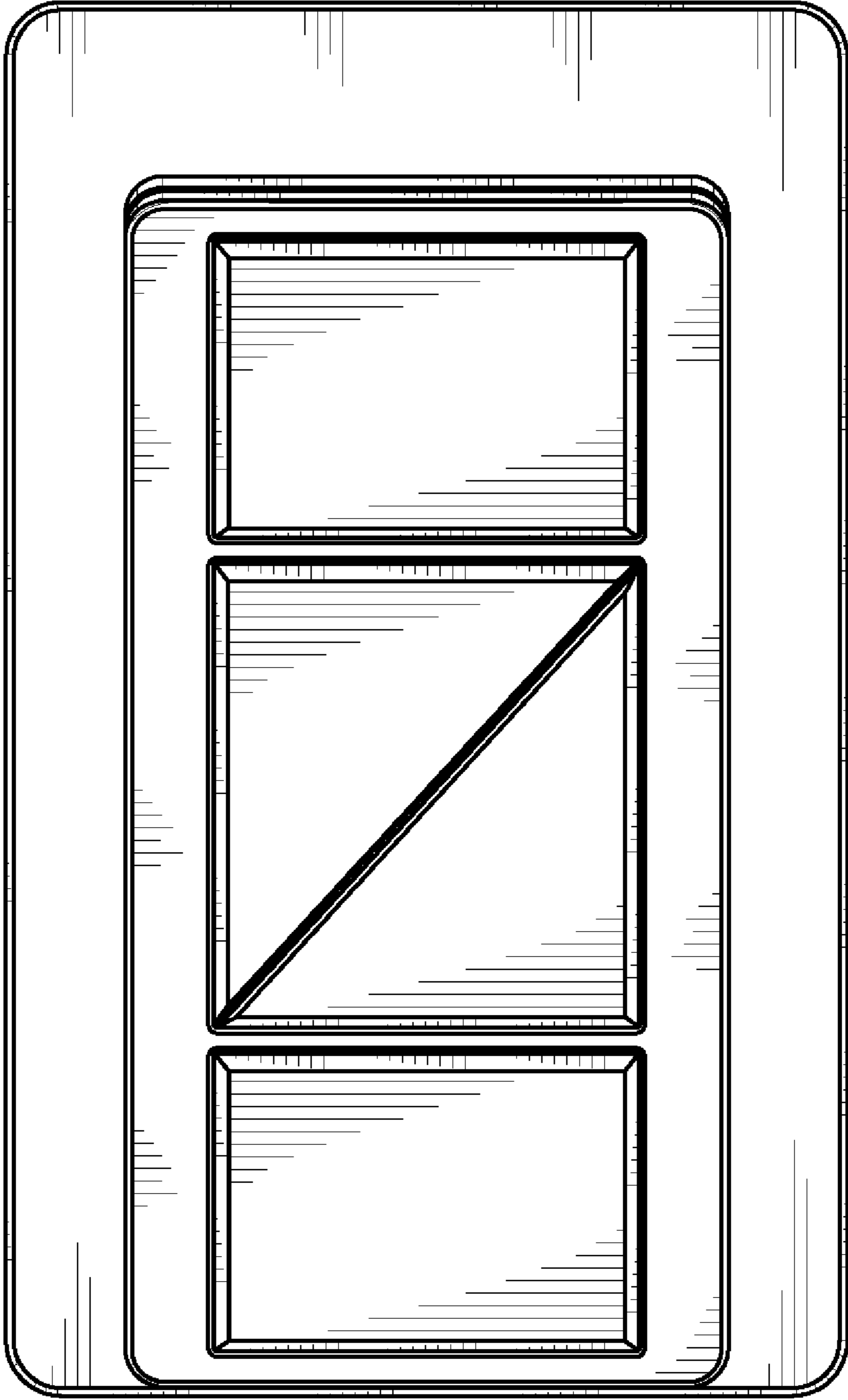


Fig. 8

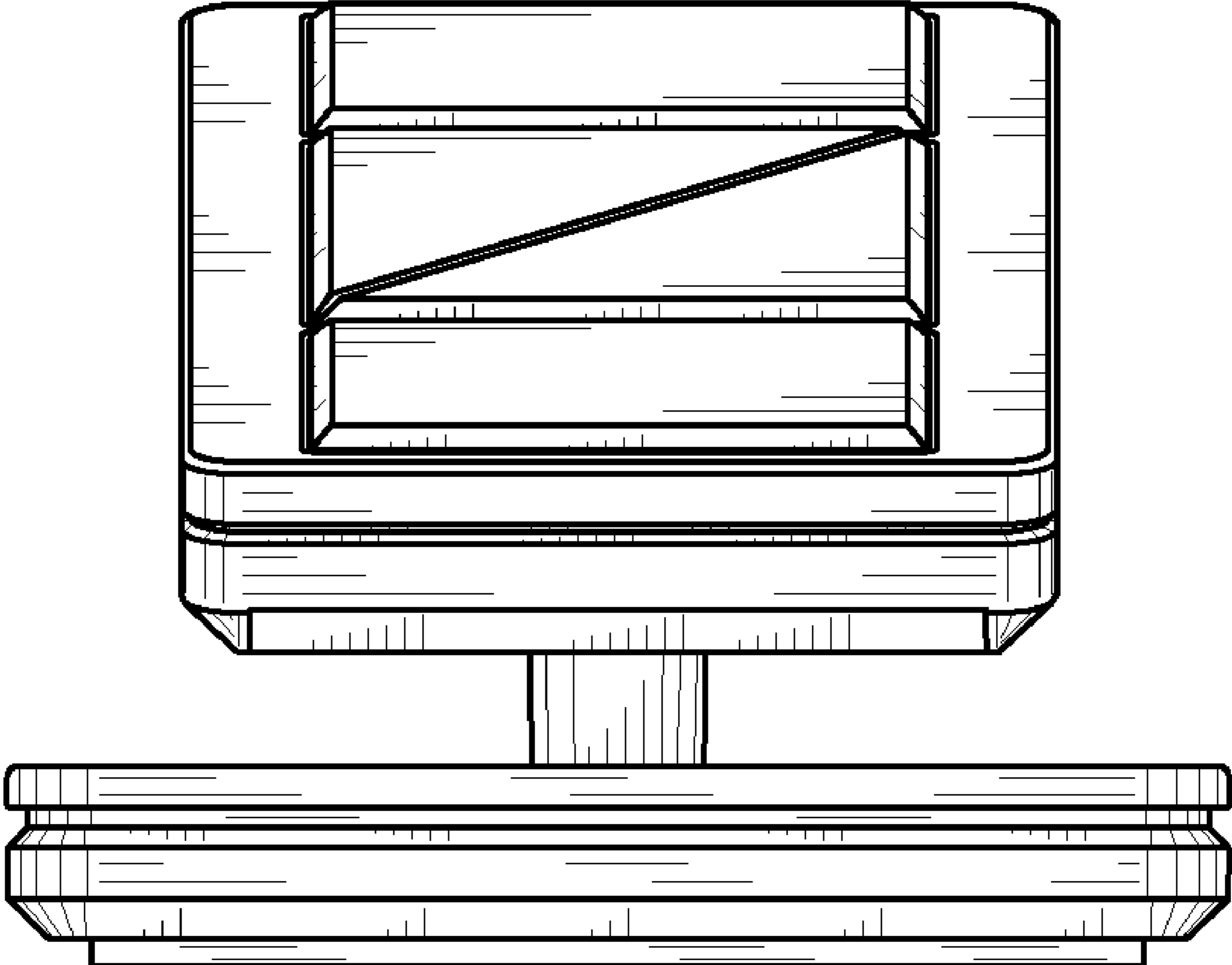


Fig. 9

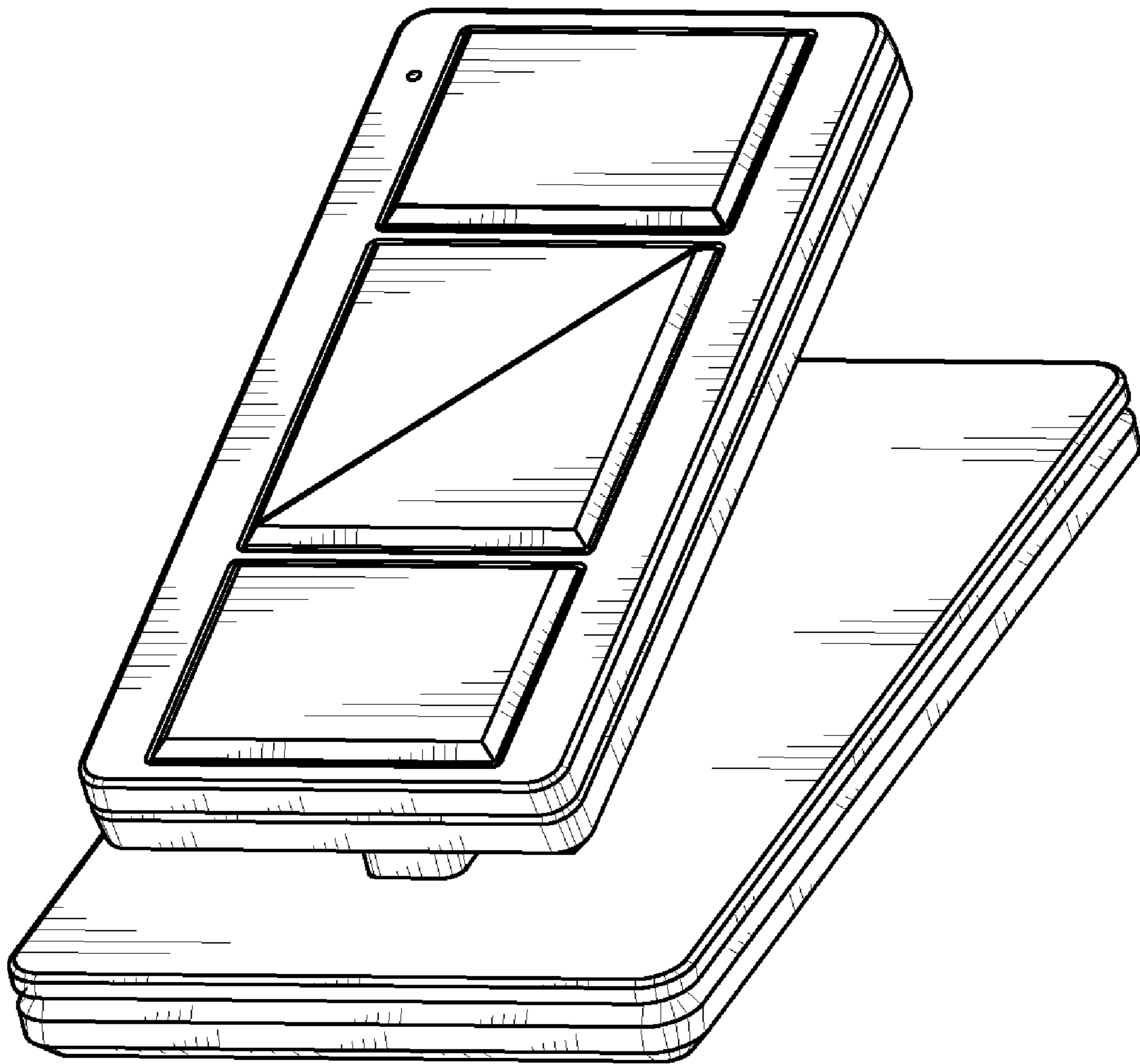


Fig. 10

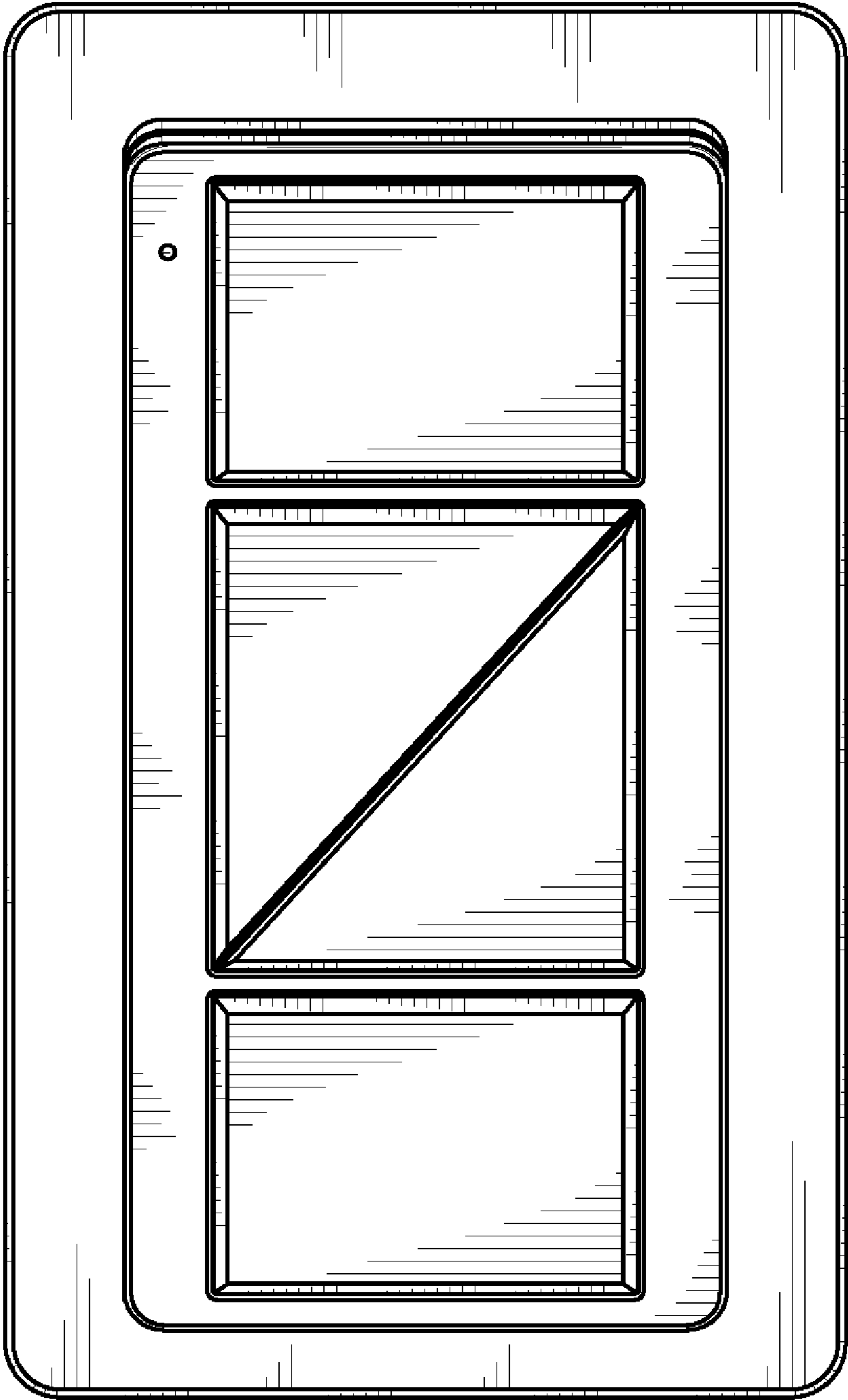


Fig. 11

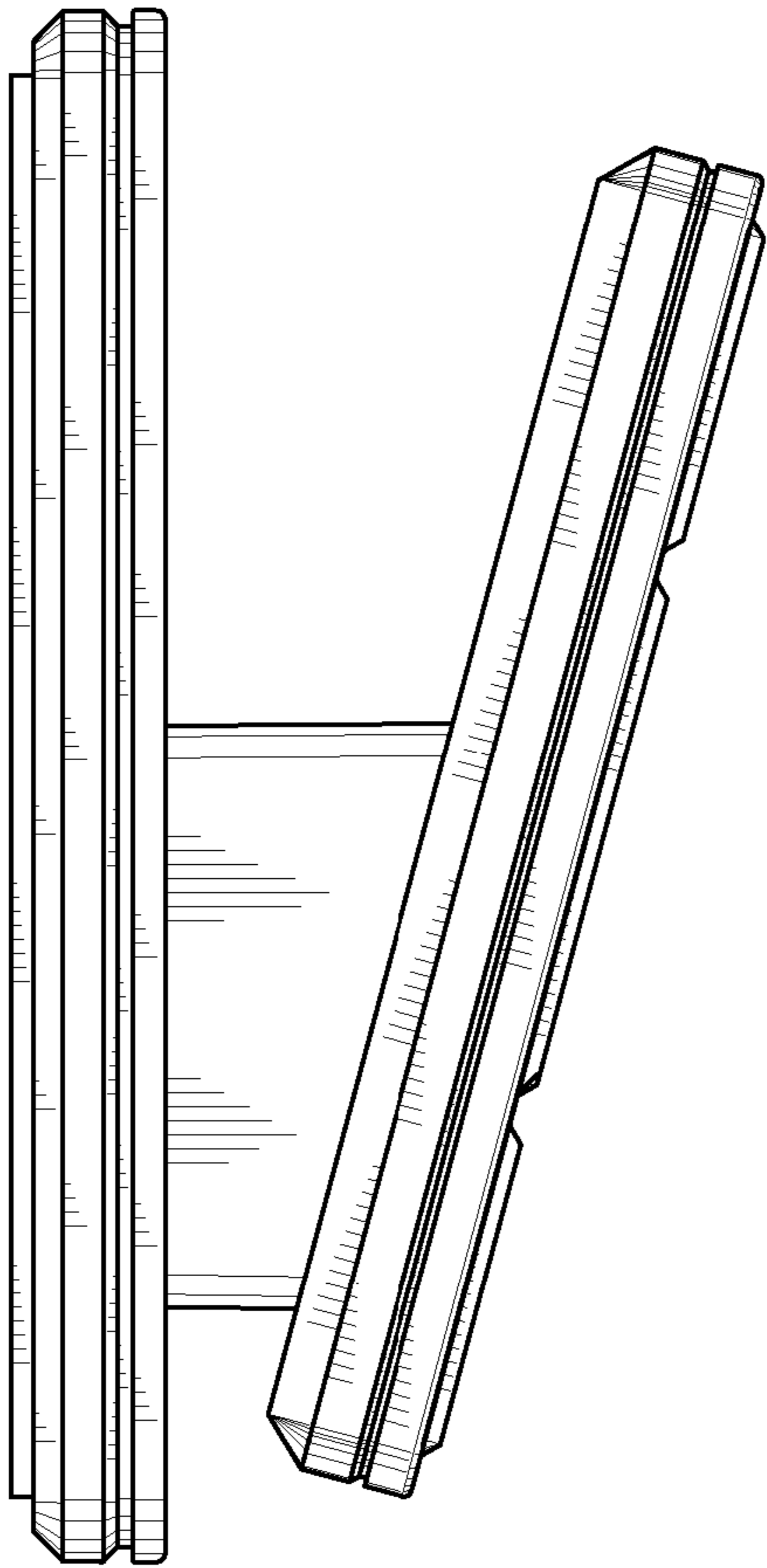


Fig. 12

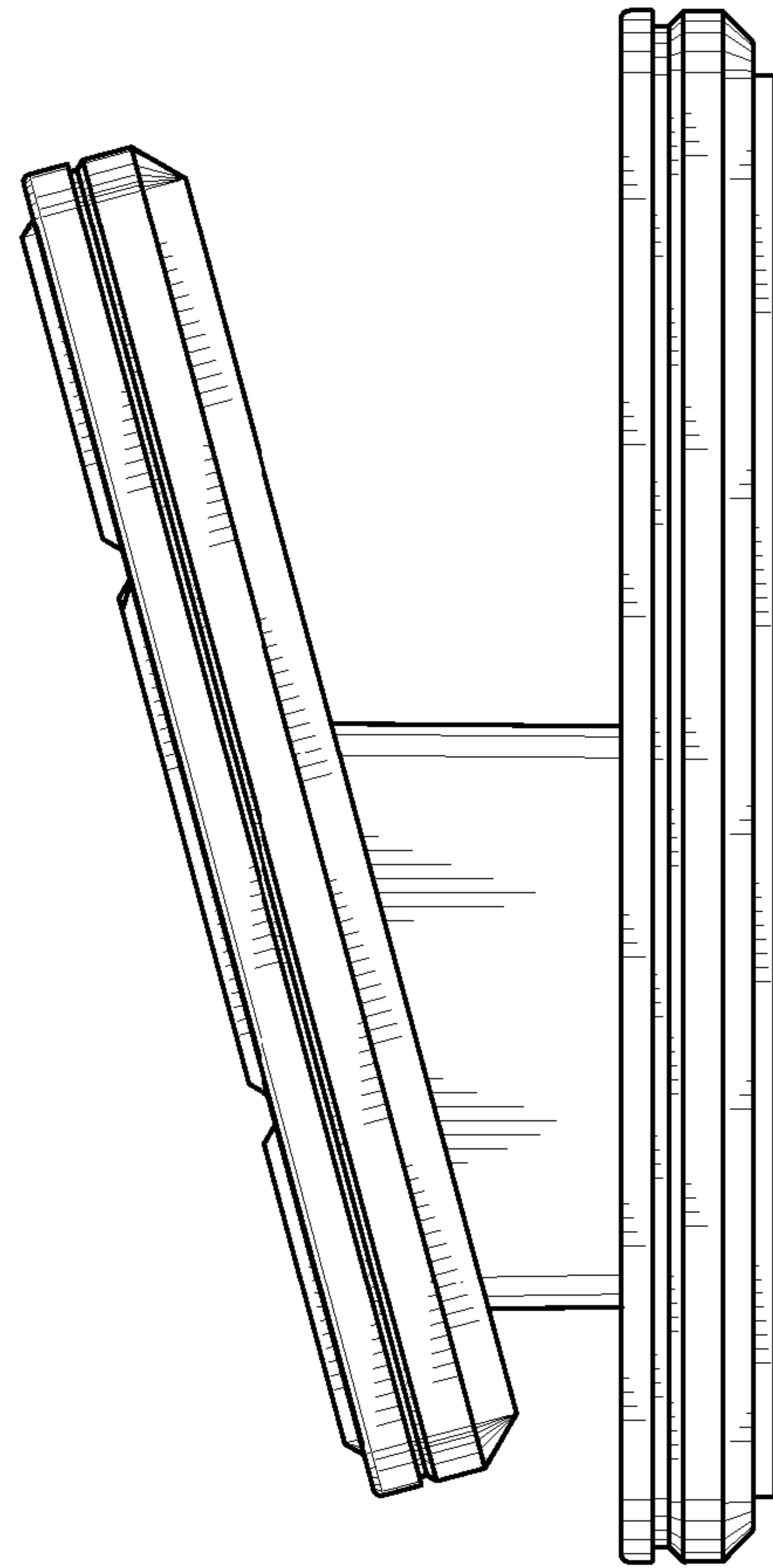


Fig. 13

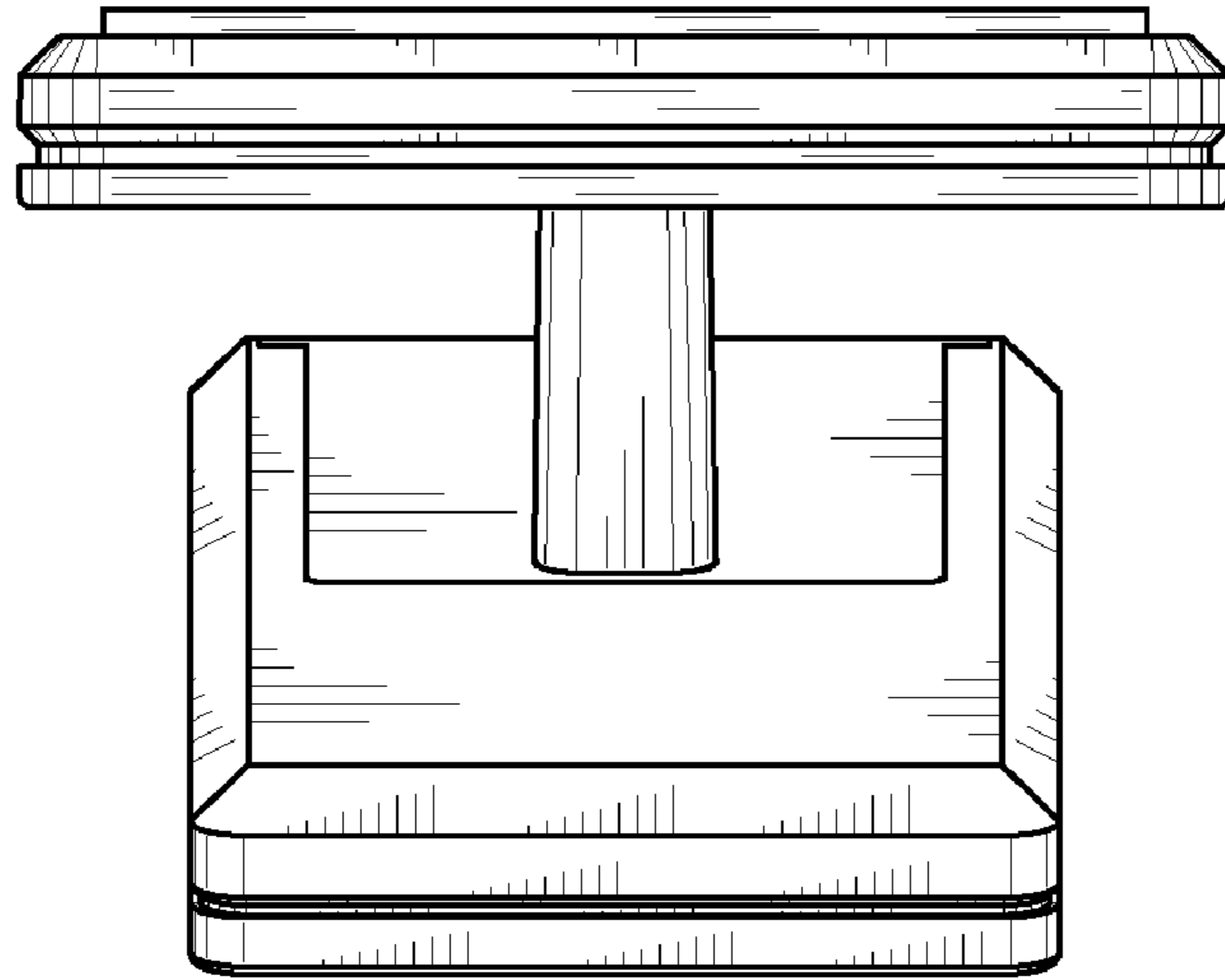


Fig. 14

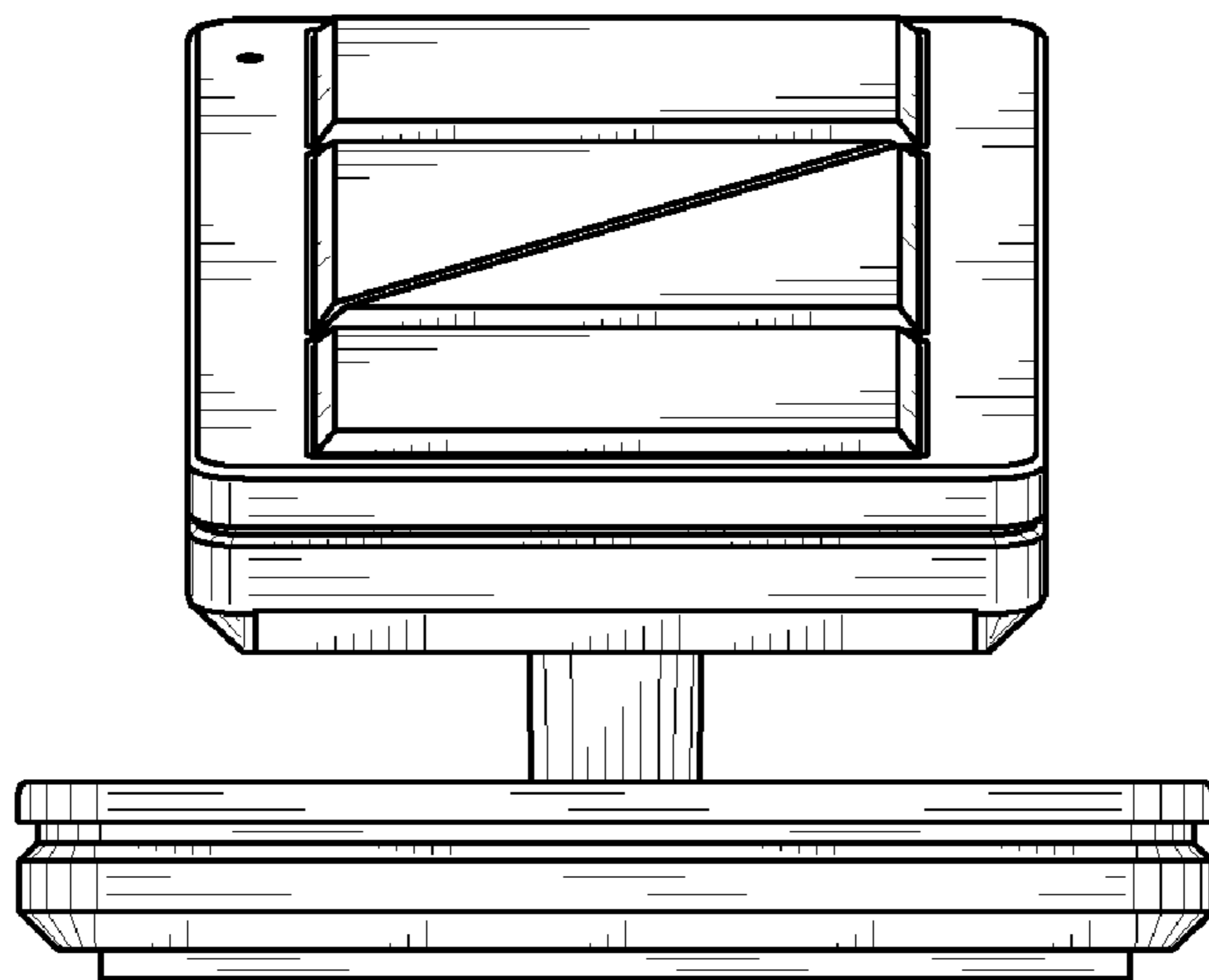


Fig. 15

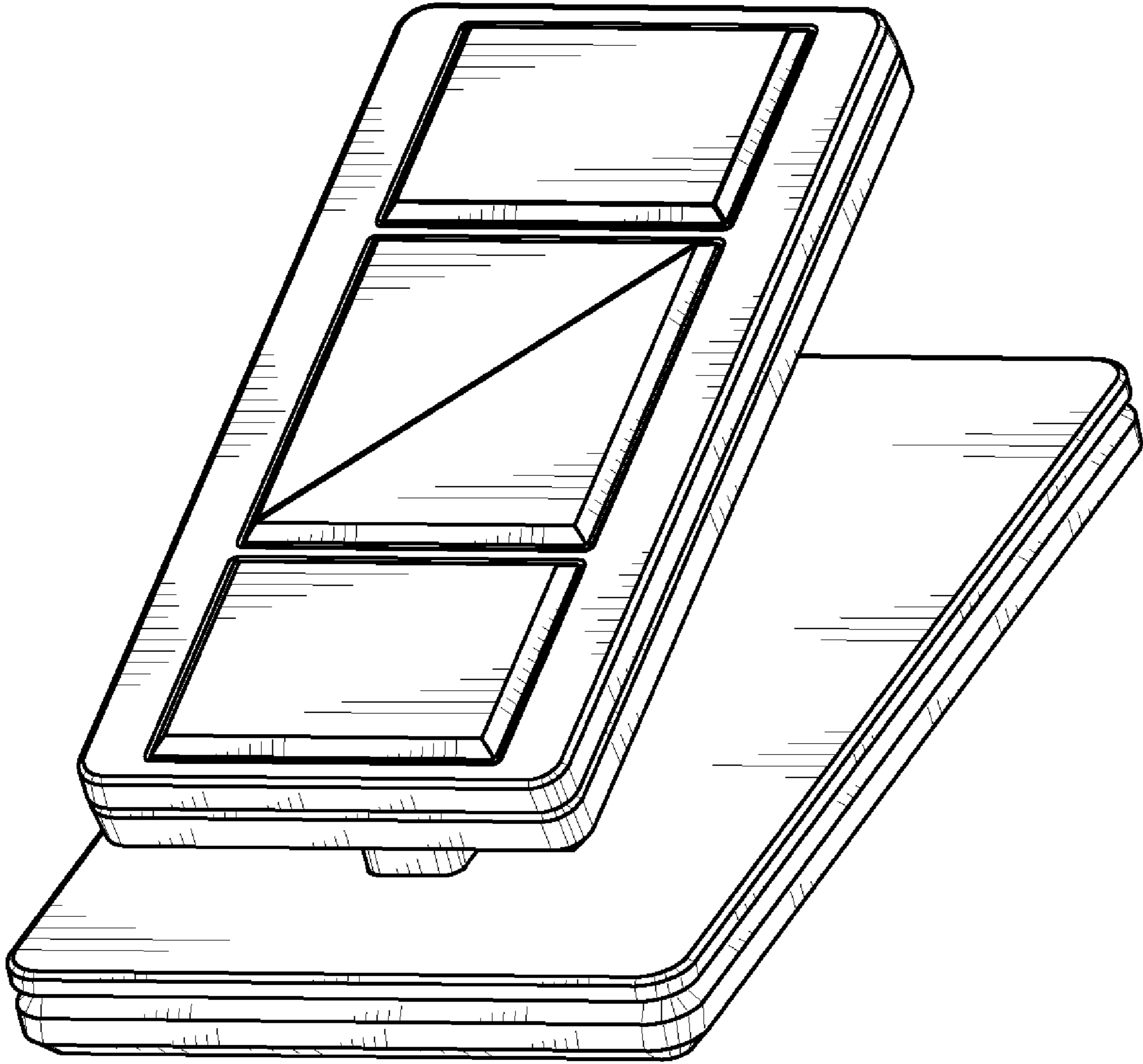


Fig. 16

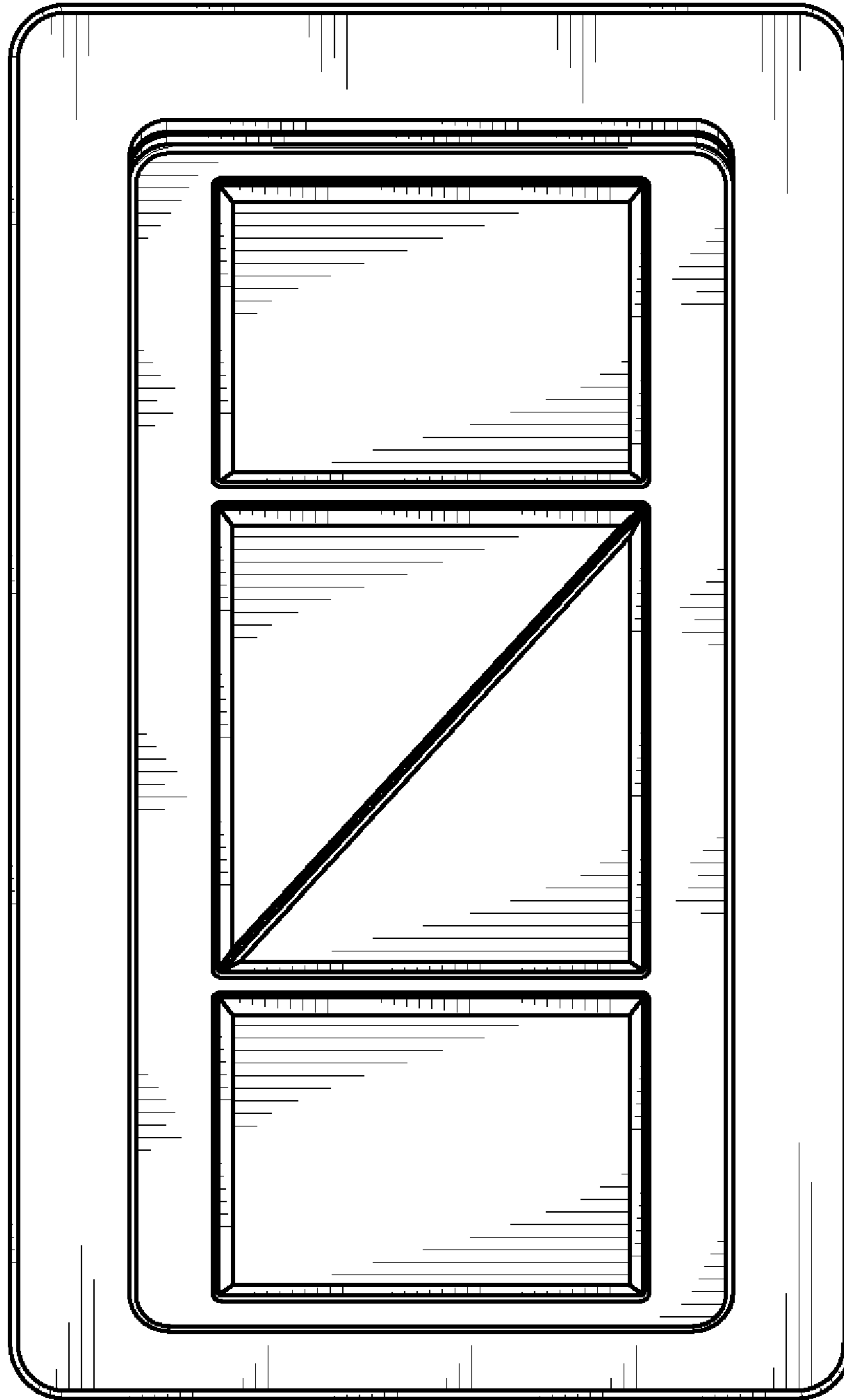


Fig. 17

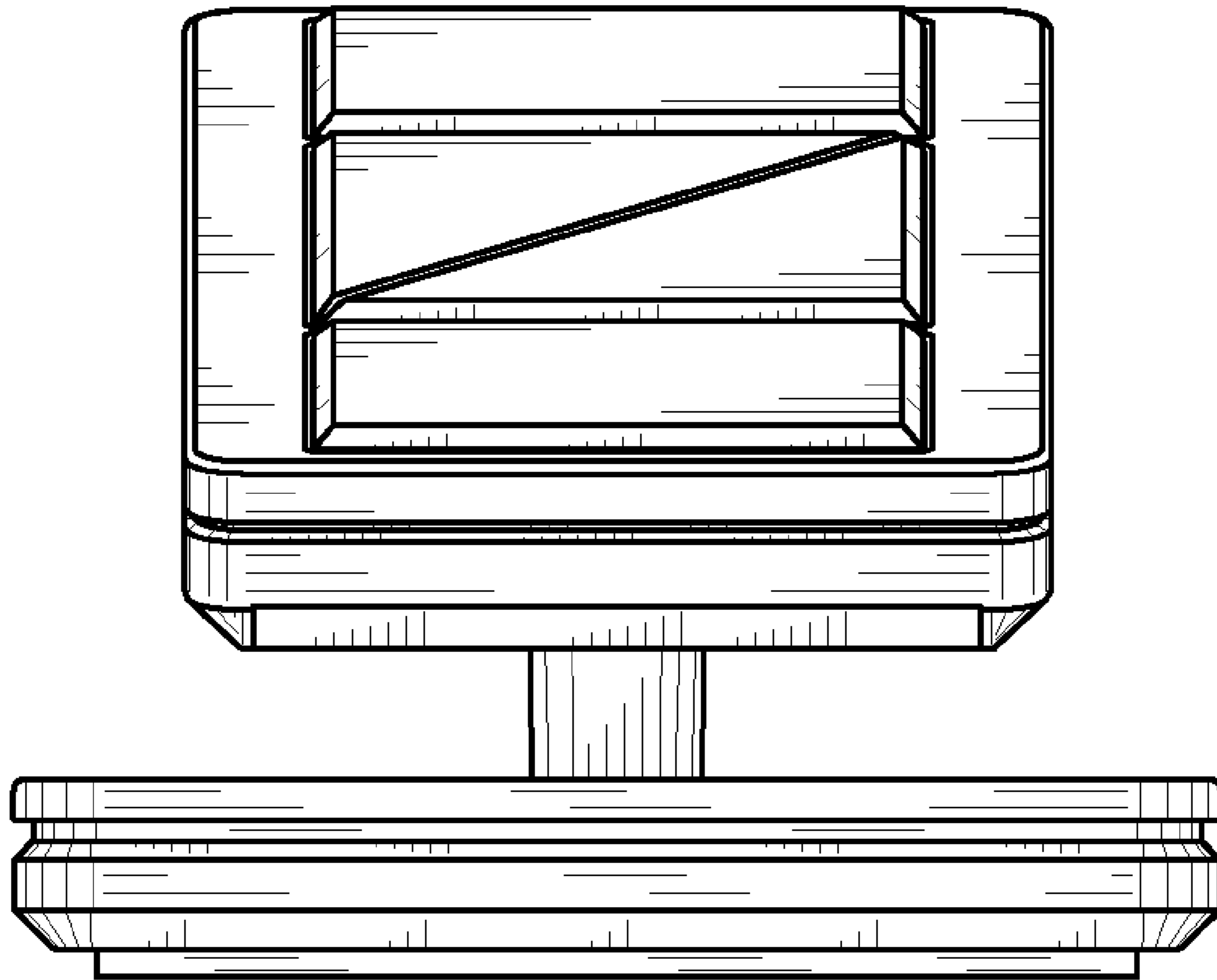


Fig. 18