



US00D616835S

(12) **United States Design Patent**  
**Felegy, Jr. et al.**

(10) **Patent No.:** **US D616,835 S**  
(45) **Date of Patent:** **\*\* \*Jun. 1, 2010**

(54) **REMOTE CONTROL**

(75) Inventors: **Edward M. Felegy, Jr.**, Macungie, PA (US); **Gregory M. Snyder**, Germansville, PA (US); **Gregory Altonen**, Easton, PA (US); **Elliot G. Jacoby**, Glenside, PA (US); **Noel Mayo**, Philadelphia, PA (US); **Joel S. Spira**, Coopersburg, PA (US)

D527,711 S 9/2006 Spira et al.  
D528,992 S 9/2006 Hobart et al.  
D537,046 S 2/2007 Blair et al.  
D539,234 S 3/2007 Blair et al.  
D539,758 S 4/2007 Blair et al.  
D543,158 S 5/2007 Blair et al.  
D543,951 S 6/2007 Blair et al.

(Continued)

(73) Assignee: **Lutron Electronics Co., Inc.**, Coopersburg, PA (US)

**OTHER PUBLICATIONS**

Lutron Electronics Co., Inc., RadioRA Visor Control Transmitter Specification Submittal Sheet, Jan. 2002, 2 pages.

(\*) Notice: This patent is subject to a terminal disclaimer.

(Continued)

(\*\*) Term: **14 Years**

*Primary Examiner*—Selina Sikder  
(74) *Attorney, Agent, or Firm*—Mark E. Rose; Philip N. Smith; Bridget L. McDonough

(21) Appl. No.: **29/330,774**

(22) Filed: **Jan. 14, 2009**

(57) **CLAIM**

(51) **LOC (9) Cl.** ..... **14-03**

We claim the ornamental design for a remote control, as shown and described.

(52) **U.S. Cl.** ..... **D13/168**

(58) **Field of Classification Search** ..... D13/168;  
D10/104, 106; D14/218, 247; 340/825.22,  
340/825.24, 825.25, 825.31, 825.36, 825.69,  
340/825.72; 341/76; 455/352

**DESCRIPTION**

See application file for complete search history.

FIG. 1 is a perspective view of a remote control according to a first embodiment of our new design.

FIG. 2 is a front view thereof.

FIG. 3 is a rear view thereof.

FIG. 4 is a left side view thereof.

FIG. 5 is a right side view thereof.

FIG. 6 is a top view thereof.

FIG. 7 is a bottom view thereof.

FIG. 8 is a perspective view of a remote control according to a second embodiment of our new design; and,

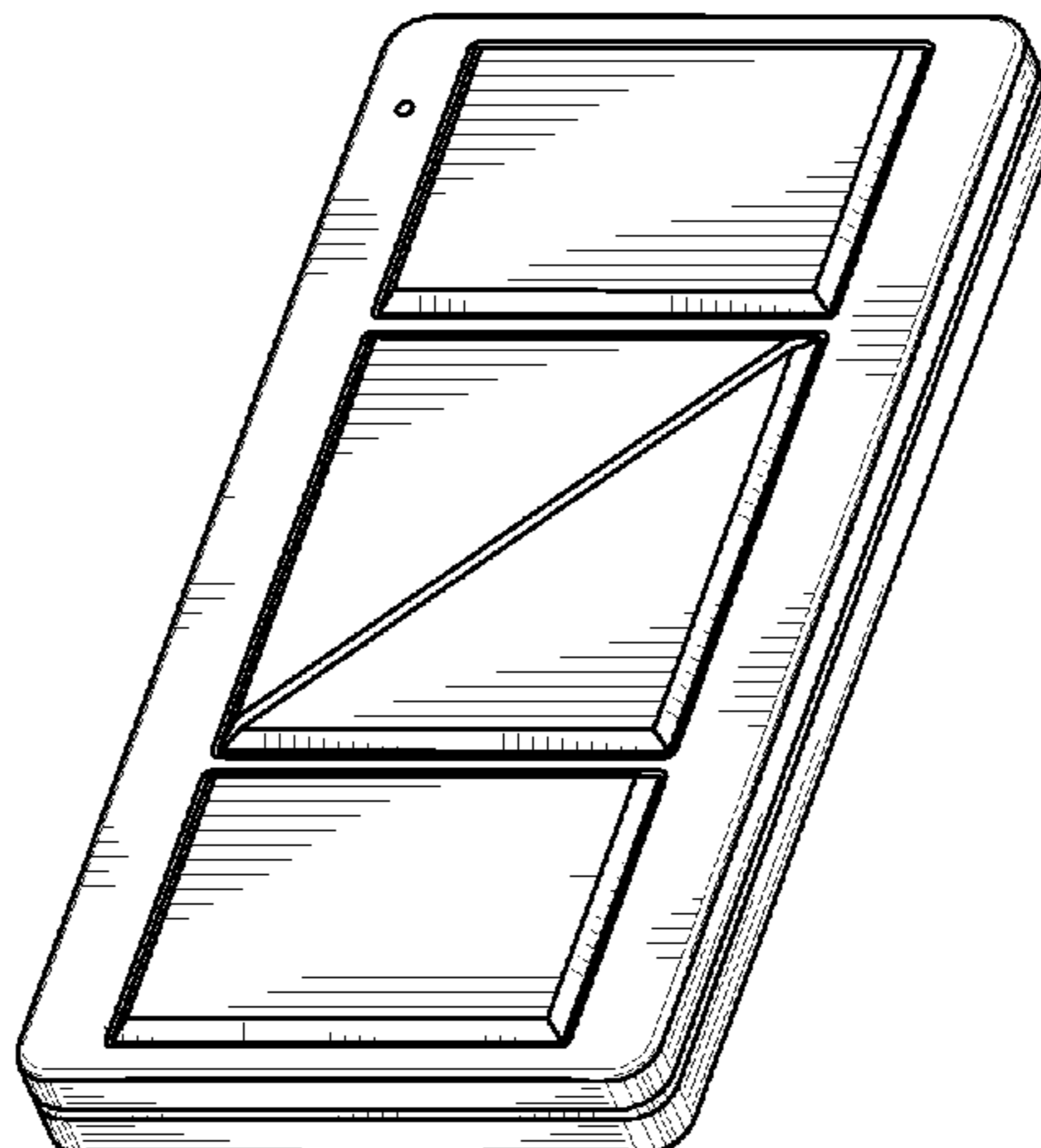
FIG. 9 is a front view thereof, the rear, left side, right side, top, and bottom views, respectively, of the second embodiment being identical to the rear, left side, right side, top, and bottom views of the first embodiment.

(56) **References Cited**

**U.S. PATENT DOCUMENTS**

D323,488 S	1/1992	Darnell et al.	
D353,798 S	12/1994	Bryde et al.	
D374,190 S *	10/1996	Yuen	D10/114
D391,878 S *	3/1998	Alleyne	D10/104
D391,924 S	3/1998	Mayo et al.	
D418,769 S *	1/2000	Yuen	D10/106
D422,567 S	4/2000	Mayo et al.	
D437,585 S	2/2001	Mayo et al.	
D439,220 S	3/2001	Mayo et al.	
D450,043 S	11/2001	Mosebrook	
D496,335 S	9/2004	Spira	
D518,447 S	4/2006	Spira	
D525,948 S	8/2006	Blair et al.	

**1 Claim, 6 Drawing Sheets**



U.S. PATENT DOCUMENTS

D546,296 S 7/2007 Blair et al.  
D573,955 S 2/2009 Bhate et al.  
D585,844 S 2/2009 Bhate et al.  
D592,606 S \* 5/2009 Felegy et al. .... D13/168  
D592,607 S \* 5/2009 Felegy et al. .... D13/168  
D592,608 S \* 5/2009 Felegy et al. .... D13/168  
D592,609 S \* 5/2009 Felegy et al. .... D13/168  
D592,611 S \* 5/2009 Altonen et al. .... D13/171  
2008/0111491 A1 5/2008 Spira  
2008/0218099 A1 9/2008 Newman

OTHER PUBLICATIONS

Lutron Electronics Co., Inc., RadioRA Visor Control Transmitter Installation Instruction Sheet, Nov. 2001, 2 pages.  
Lutron Electronics Co., Inc., Aurora Wireless Lighting Control Brochure, Nov. 2006, 2 pages.  
Lutron Electronics Co., Inc., Maestro Wireless Remote Lighting Control Brochure, Sep. 2007, 2 pages.

U.S. Appl. No. 61/042,421, filed Apr. 4, 2008, Altonen et al.  
U.S. Appl. No. 29/306,219, filed Apr. 4, 2008, Felegy, Jr. et al.  
U.S. Appl. No. 29/306,223, filed Apr. 4, 2008, Felegy, Jr. et al.  
U.S. Appl. No. 29/306,225, filed Apr. 4, 2008, Felegy, Jr. et al.  
U.S. Appl. No. 29/306,226, filed Apr. 4, 2008, Altonen et al.  
U.S. Appl. No. 29/306,228, filed Apr. 4, 2008, Felegy, Jr. et al.  
U.S. Appl. No. 29/306,233, filed Apr. 4, 2008, Felegy, Jr. et al.  
U.S. Appl. No. 29/328,023, filed Nov. 8, 2008, Felegy, Jr. et al.  
U.S. Appl. No. 29/328,031, filed Nov. 8, 2008, Felegy, Jr. et al.  
U.S. Appl. No. 29/330,451, filed Jan. 7, 2009, Felegy, Jr. et al.  
U.S. Appl. No. 29/330,445, filed Jan. 7, 2009, Felegy, Jr. et al.  
U.S. Appl. No. 29/330,449, filed Jan. 7, 2009, Felegy, Jr. et al.  
U.S. Appl. No. 29/330,776, filed Jan. 14, 2009, Felegy, Jr. et al.  
U.S. Appl. No. 29/330,779, filed Jan. 14, 2009, Felegy, Jr. et al.  
U.S. Appl. No. 29/332,627, filed Feb. 20, 2009, Snyder et al.  
U.S. Appl. No. 29/332,632, filed Feb. 20, 2009, Snyder et al.  
U.S. Appl. No. 29/332,636, filed Feb. 20, 2009, Snyder et al.  
U.S. Appl. No. 29/332,637, filed Feb. 20, 2009, Snyder et al.

\* cited by examiner

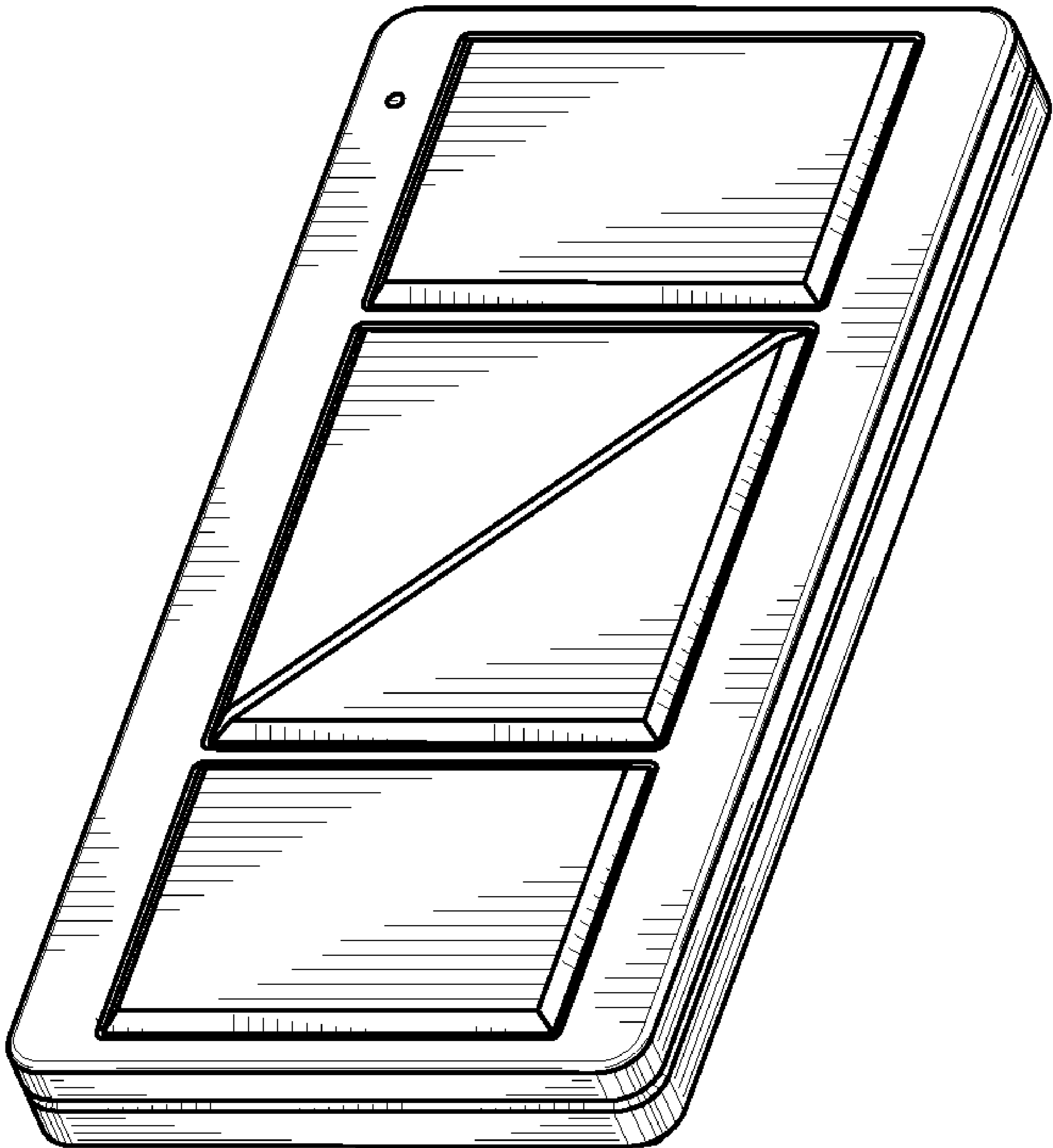


Fig. 1

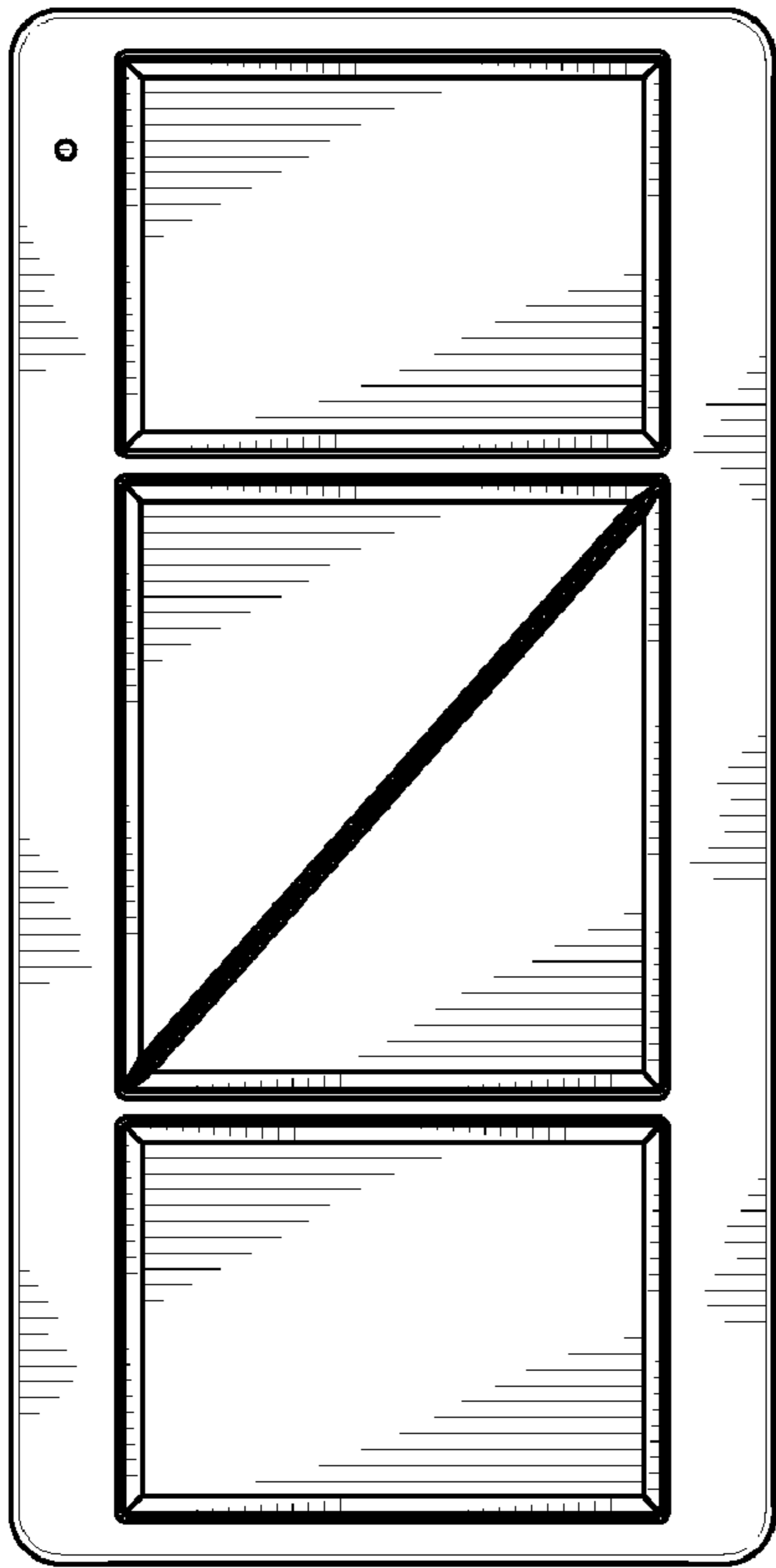


Fig. 2

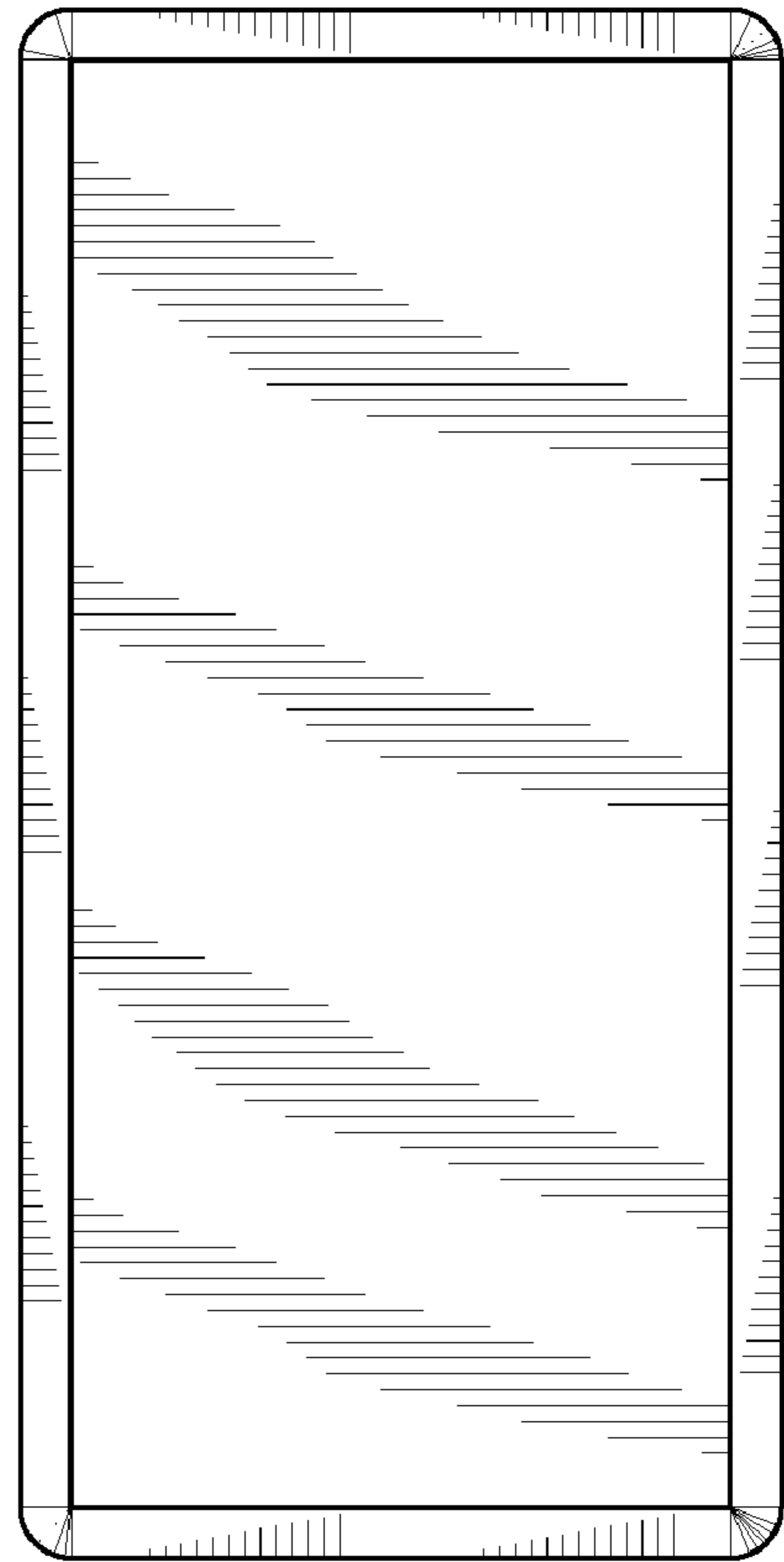


Fig. 3

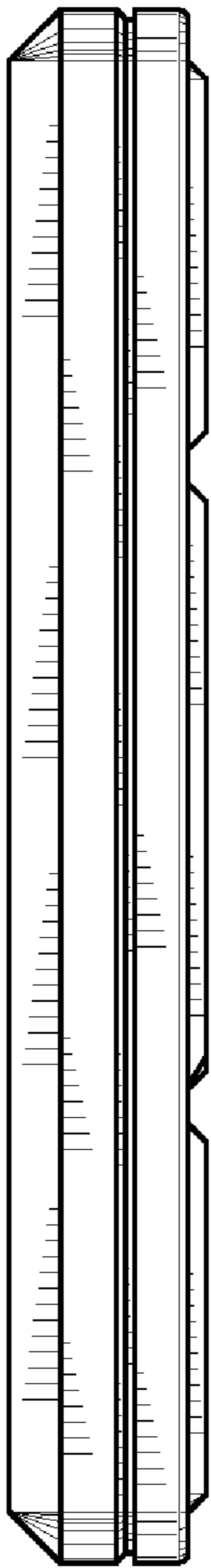


Fig. 4

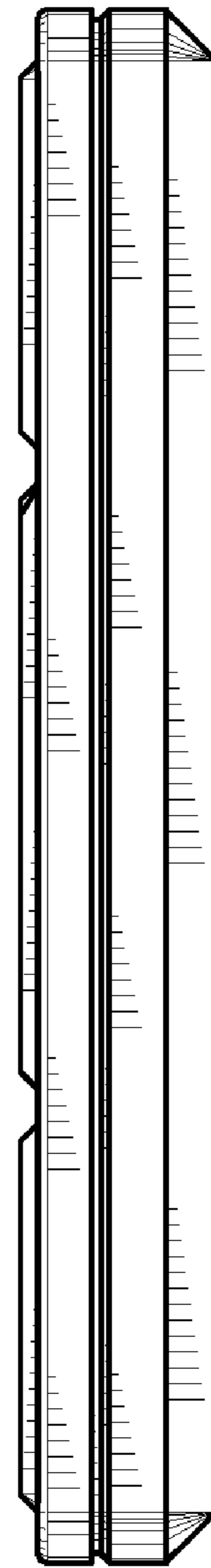


Fig. 5

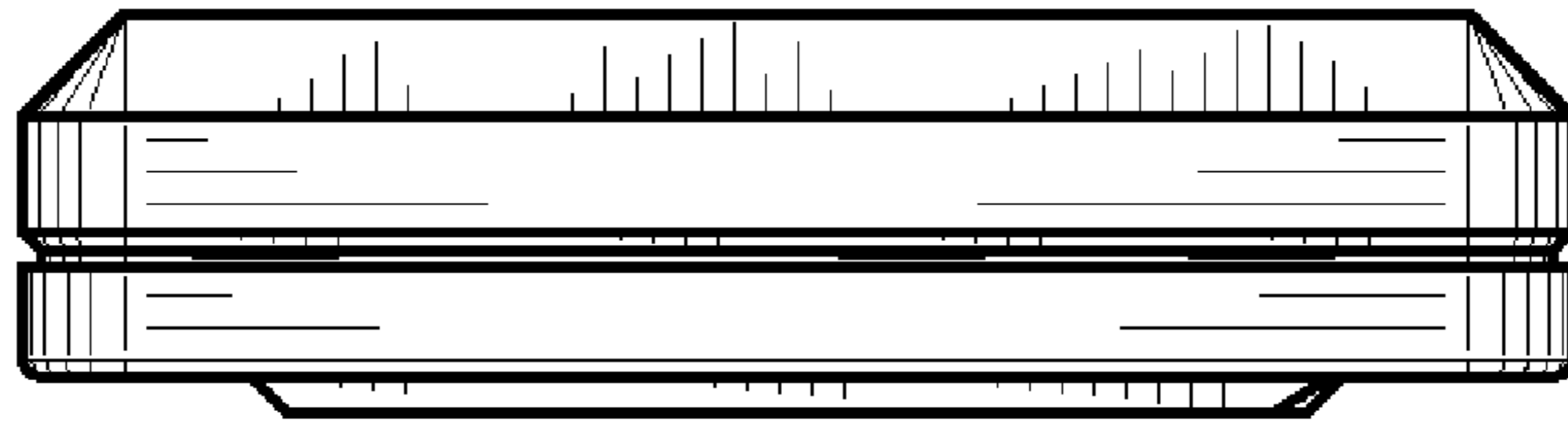


Fig. 6

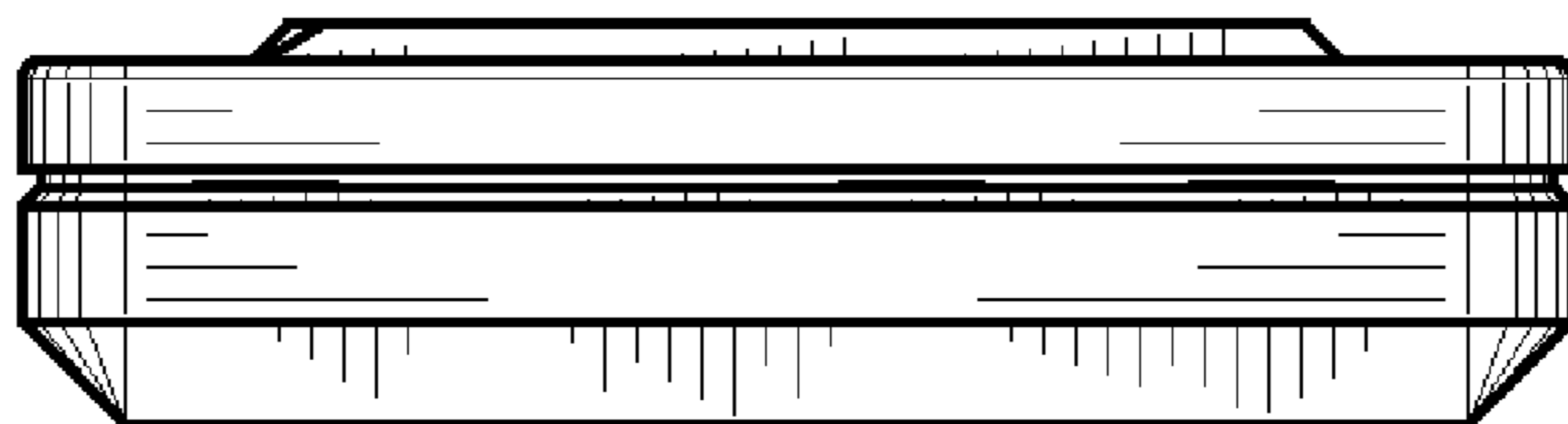


Fig. 7

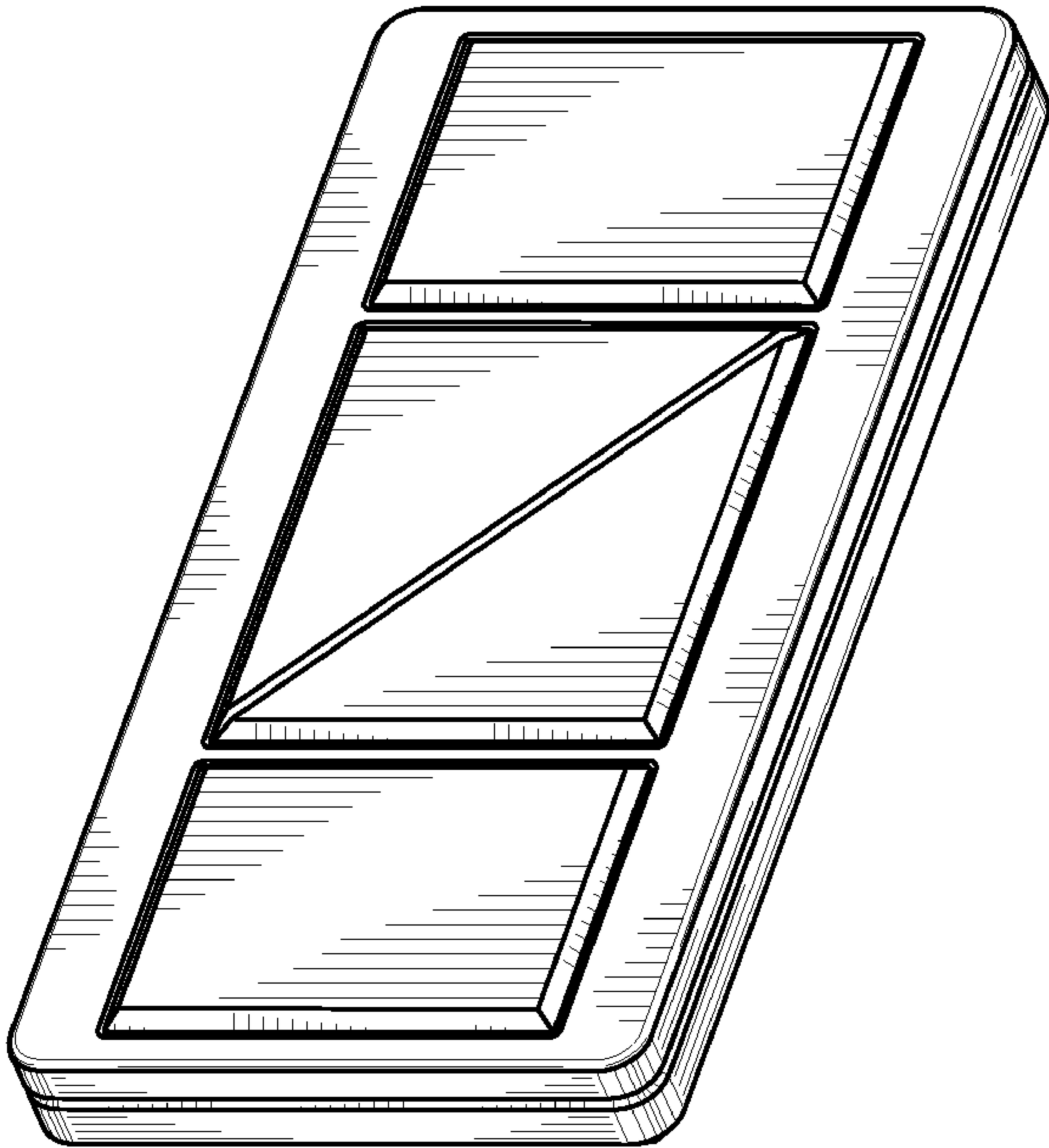


Fig. 8



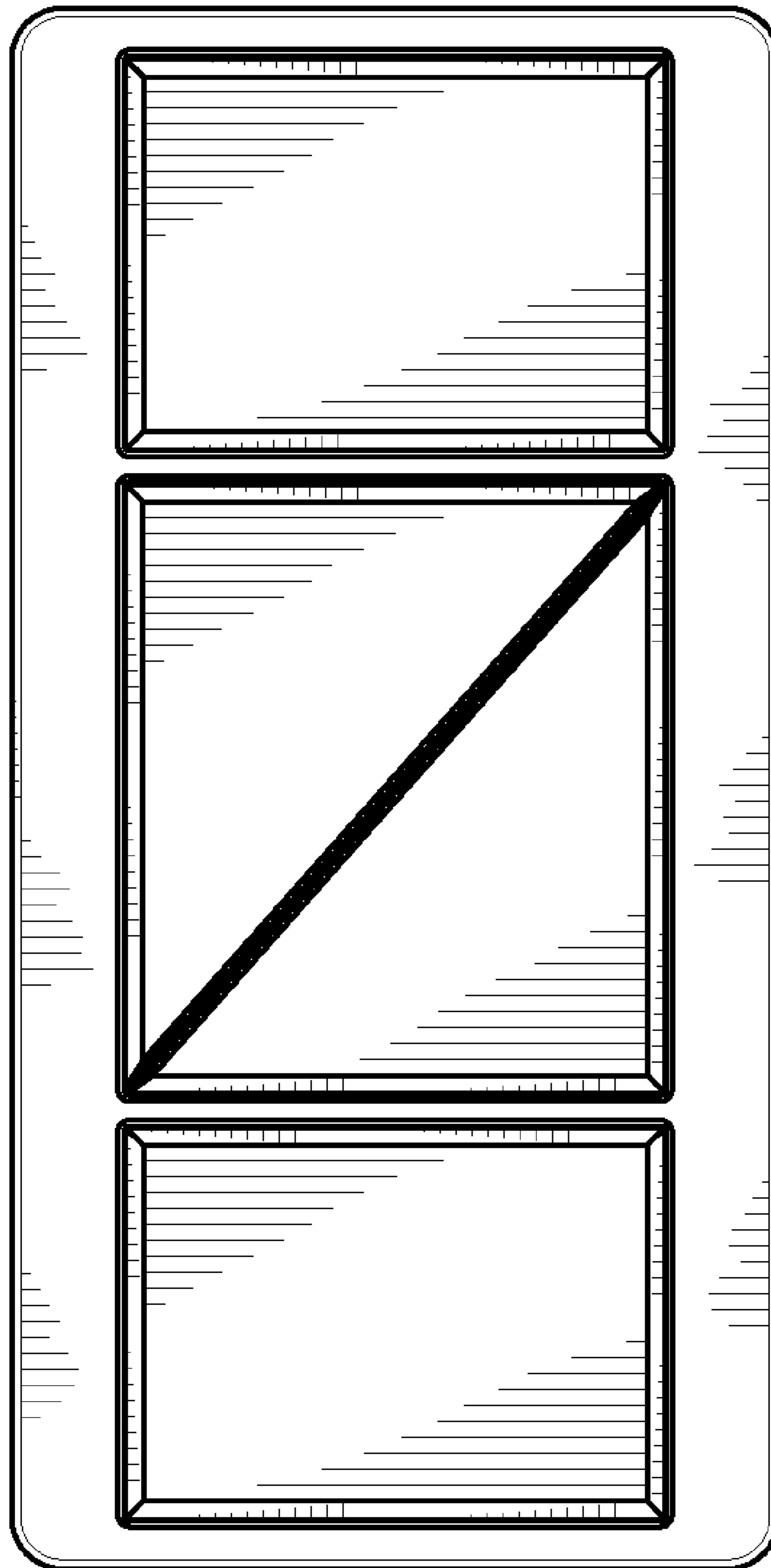


Fig. 9