

US00D616832S

(12) **United States Design Patent**
Corteel

(10) **Patent No.:** **US D616,832 S**

(45) **Date of Patent:** **** Jun. 1, 2010**

(54) **CIRCUIT BREAKER**

(75) Inventor: **Benoit Corteel**, Grenoble (FR)

(73) Assignee: **Schneider Electric Industries SAS**,
Rueil Malmaison (FR)

(**) Term: **14 Years**

(21) Appl. No.: **29/300,968**

(22) Filed: **Jun. 5, 2008**

(30) **Foreign Application Priority Data**

Dec. 10, 2007 (FR) 07 5608

(51) **LOC (9) Cl.** **13-03**

(52) **U.S. Cl.** **D13/161**

(58) **Field of Classification Search** D13/158,
D13/159, 160, 161, 162, 184, 199; 200/43.14,
200/50.01, 50.21–50.23, 51 R, 293, 400,
200/401; 361/42, 44, 45, 50, 71, 115, 608,
361/634

See application file for complete search history.

(56) **References Cited**

U.S. PATENT DOCUMENTS

D319,627 S * 9/1991 Smith et al. D13/160
5,302,786 A * 4/1994 Rosen et al. 200/400
D442,146 S * 5/2001 Greenberg et al. D13/160
D498,212 S * 11/2004 Kim D13/160
D499,700 S * 12/2004 Raabe et al. D13/160
D499,701 S * 12/2004 Kim D13/160

D511,502 S * 11/2005 Kim D13/160
D551,629 S * 9/2007 Azzola et al. D13/160
D576,111 S * 9/2008 Azzola et al. D13/160

* cited by examiner

Primary Examiner—Daniel D Bui

Assistant Examiner—Thomas J Johannes

(74) *Attorney, Agent, or Firm*—Step toe & Johnson LLP

(57) **CLAIM**

The ornamental design for a circuit breaker, as shown and described.

DESCRIPTION

FIG. 1 is a front/right side/top perspective view of a circuit breaker, showing my new design;

FIG. 2 is a front view thereof;

FIG. 3 is a rear view thereof;

FIG. 4 is a bottom view thereof;

FIG. 5 is a top view thereof;

FIG. 6 is a right side view thereof;

FIG. 7 is a left side view thereof;

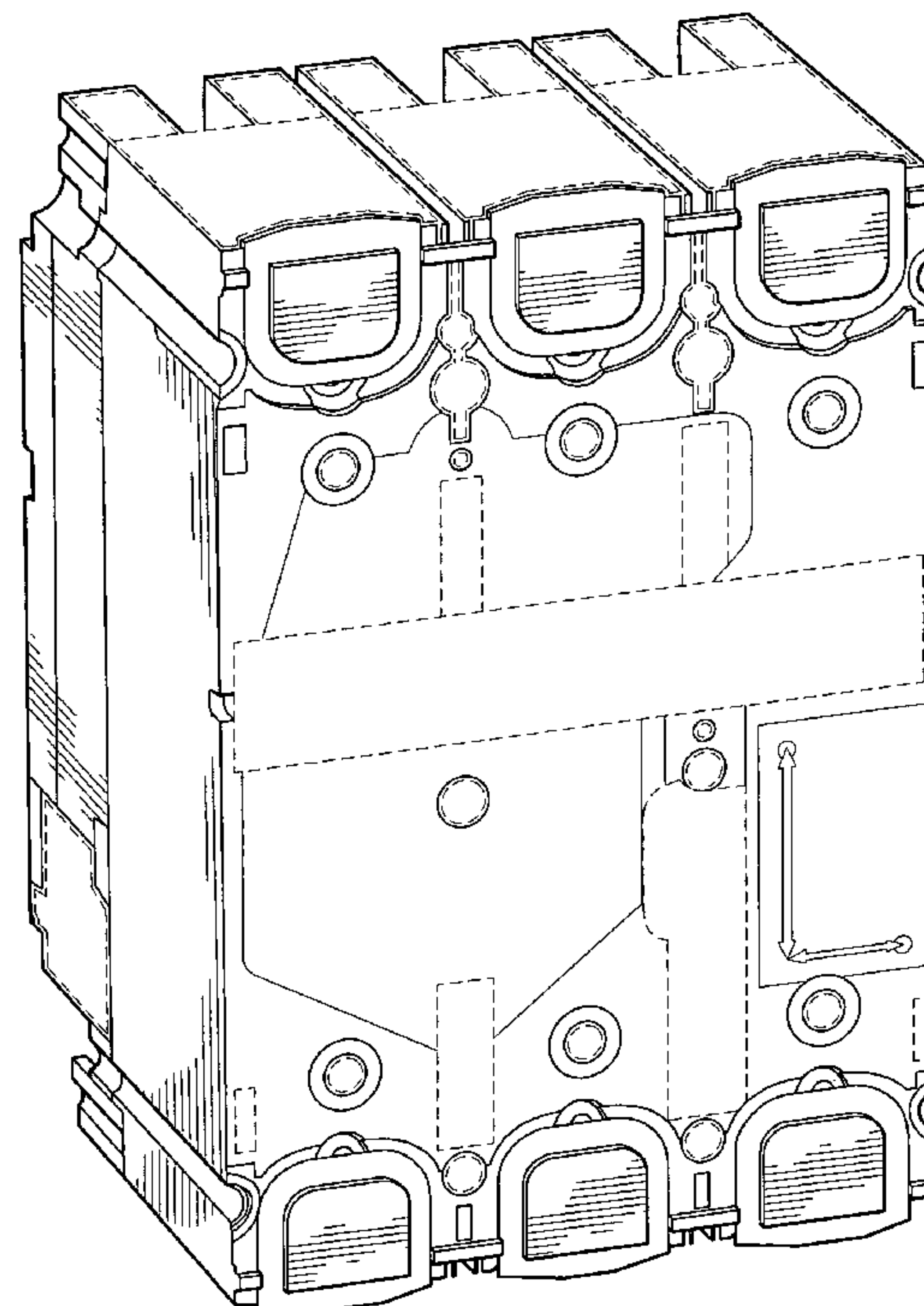
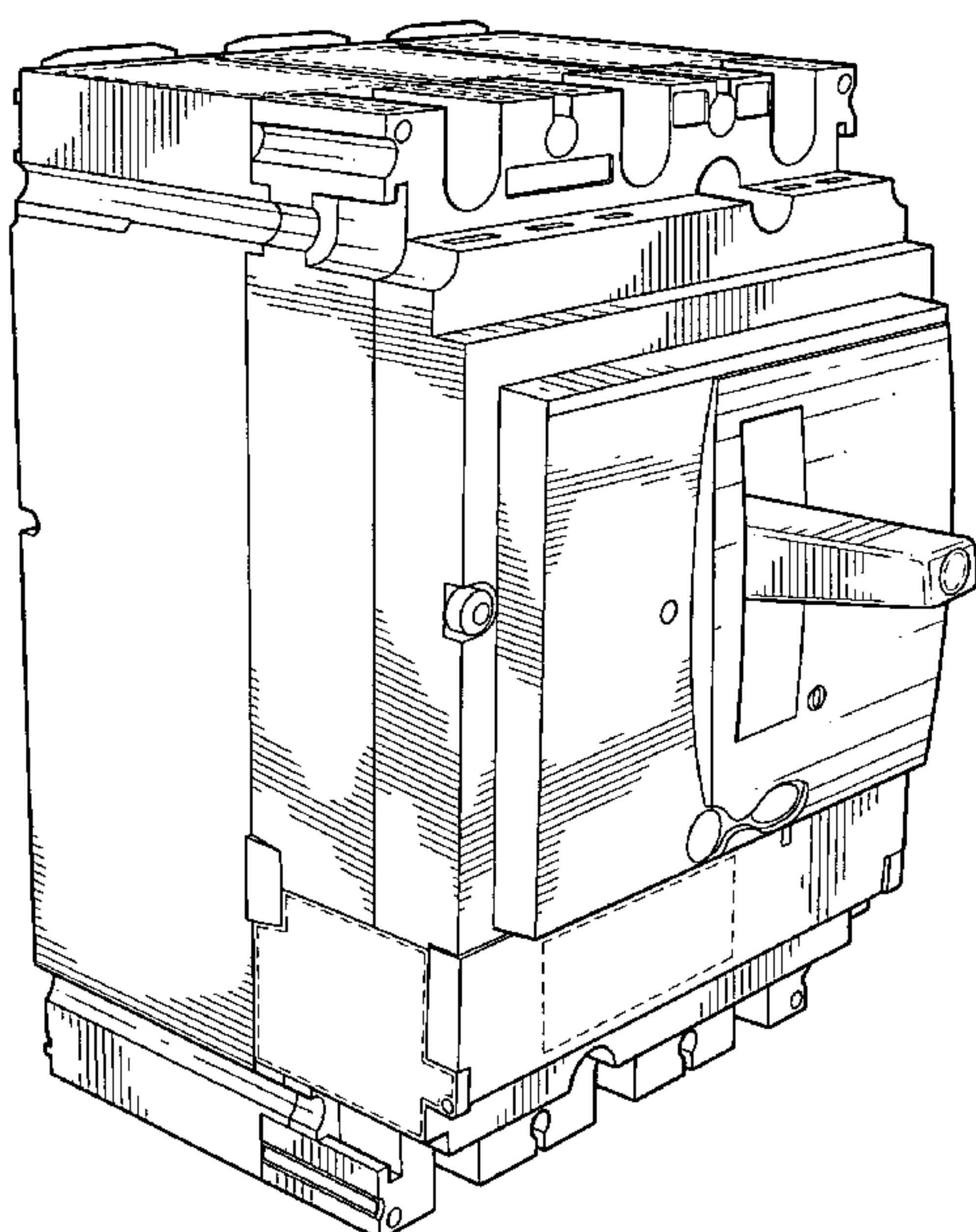
FIG. 8 is a rear/top/left side perspective view thereof;

FIG. 9 is a bottom/rear perspective view thereof; and,

FIG. 10 is a top/rear perspective view thereof.

The broken line portions of the drawings are included to show unclaimed subject matter only, and form no part of the claimed design.

1 Claim, 8 Drawing Sheets



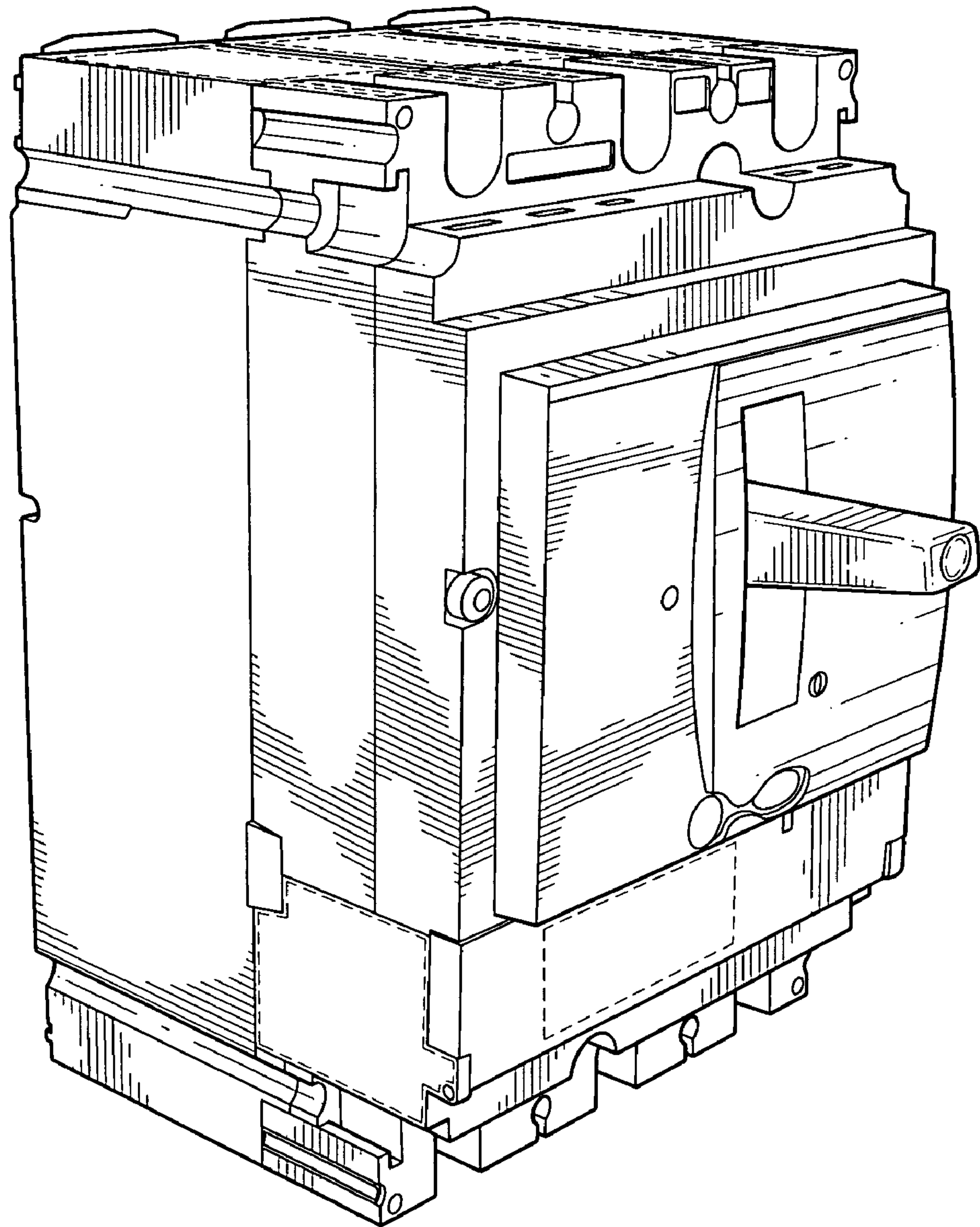


FIG. 1

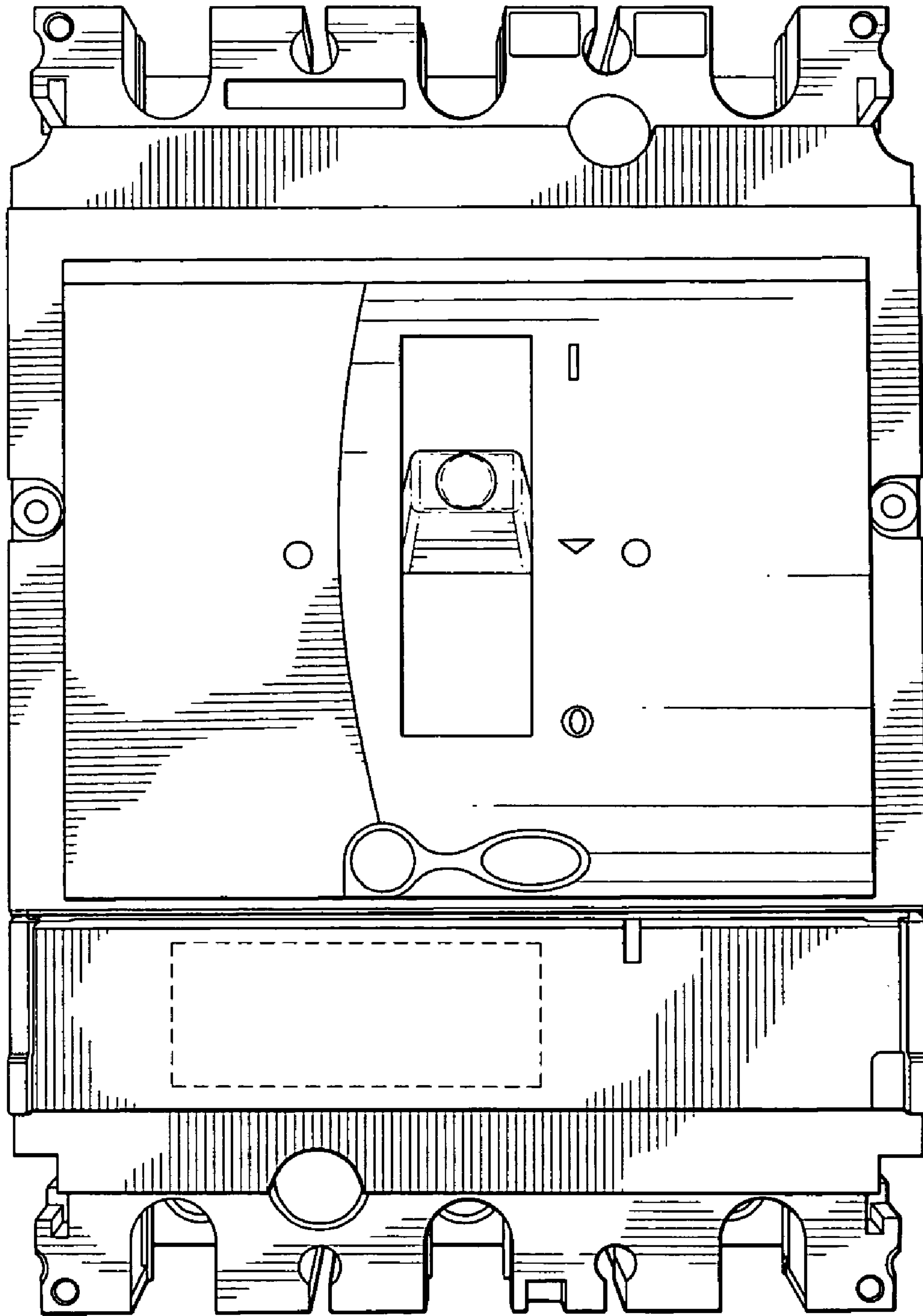


FIG. 2

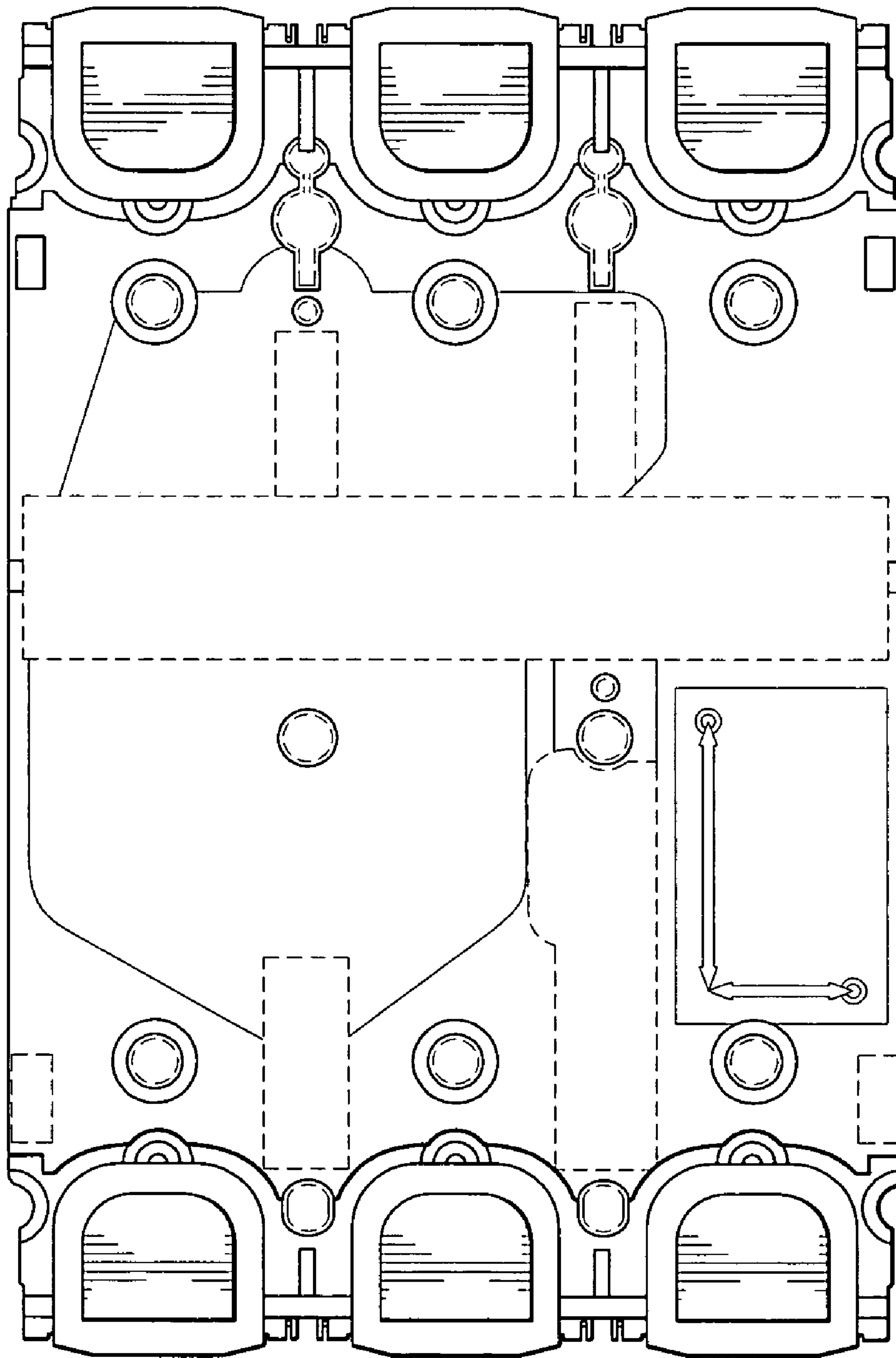


FIG. 3

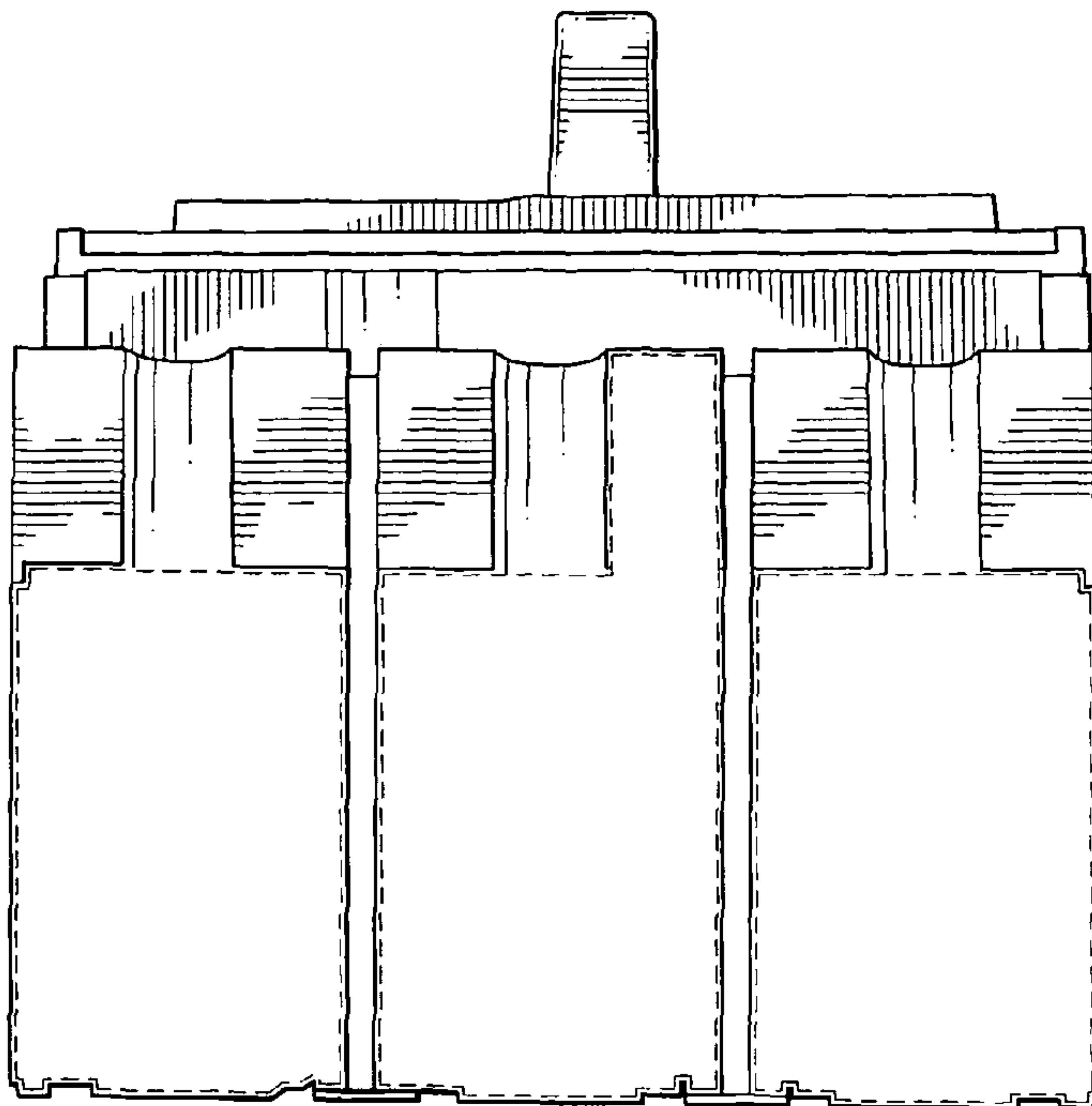


FIG. 4

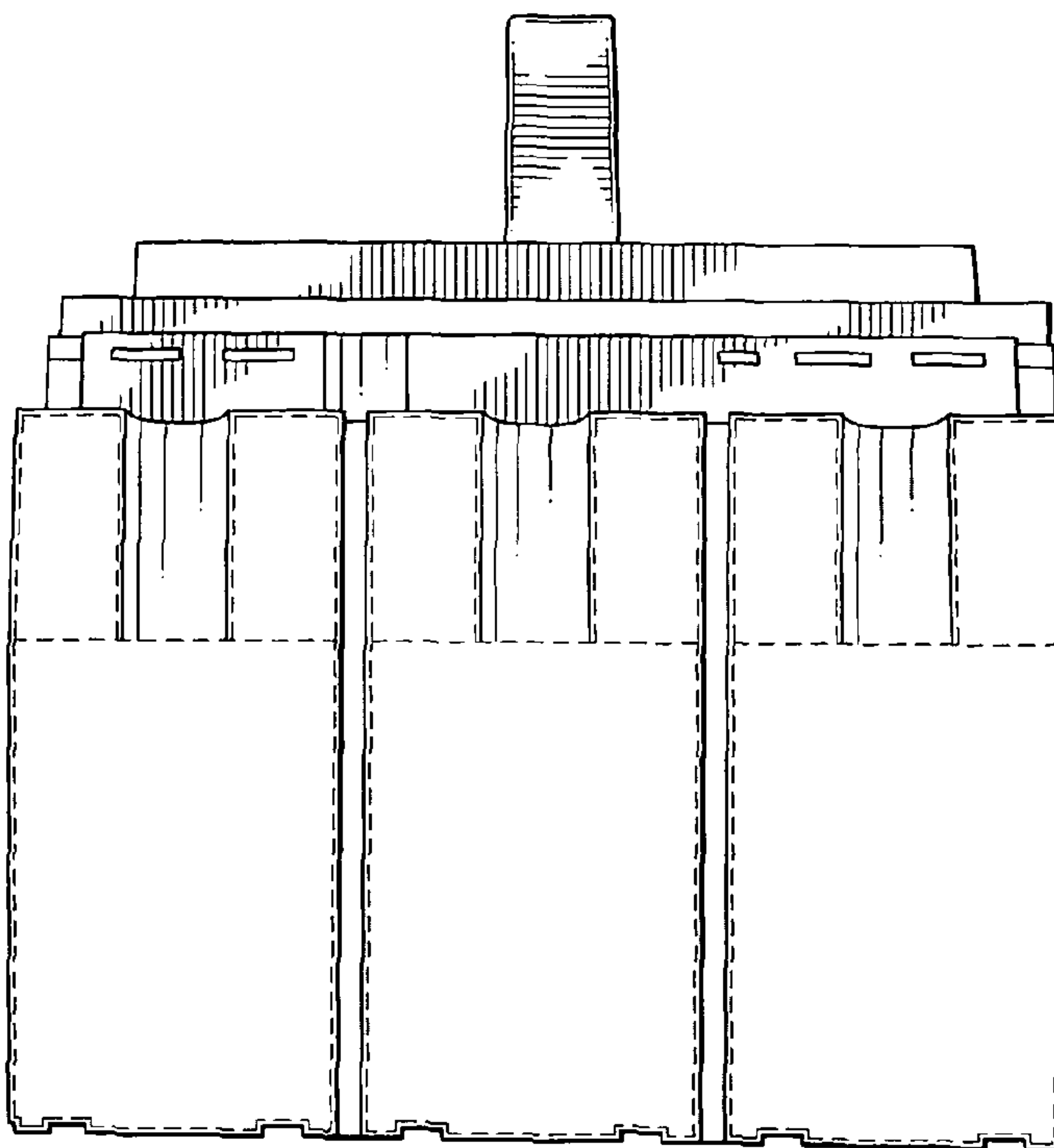


FIG. 5

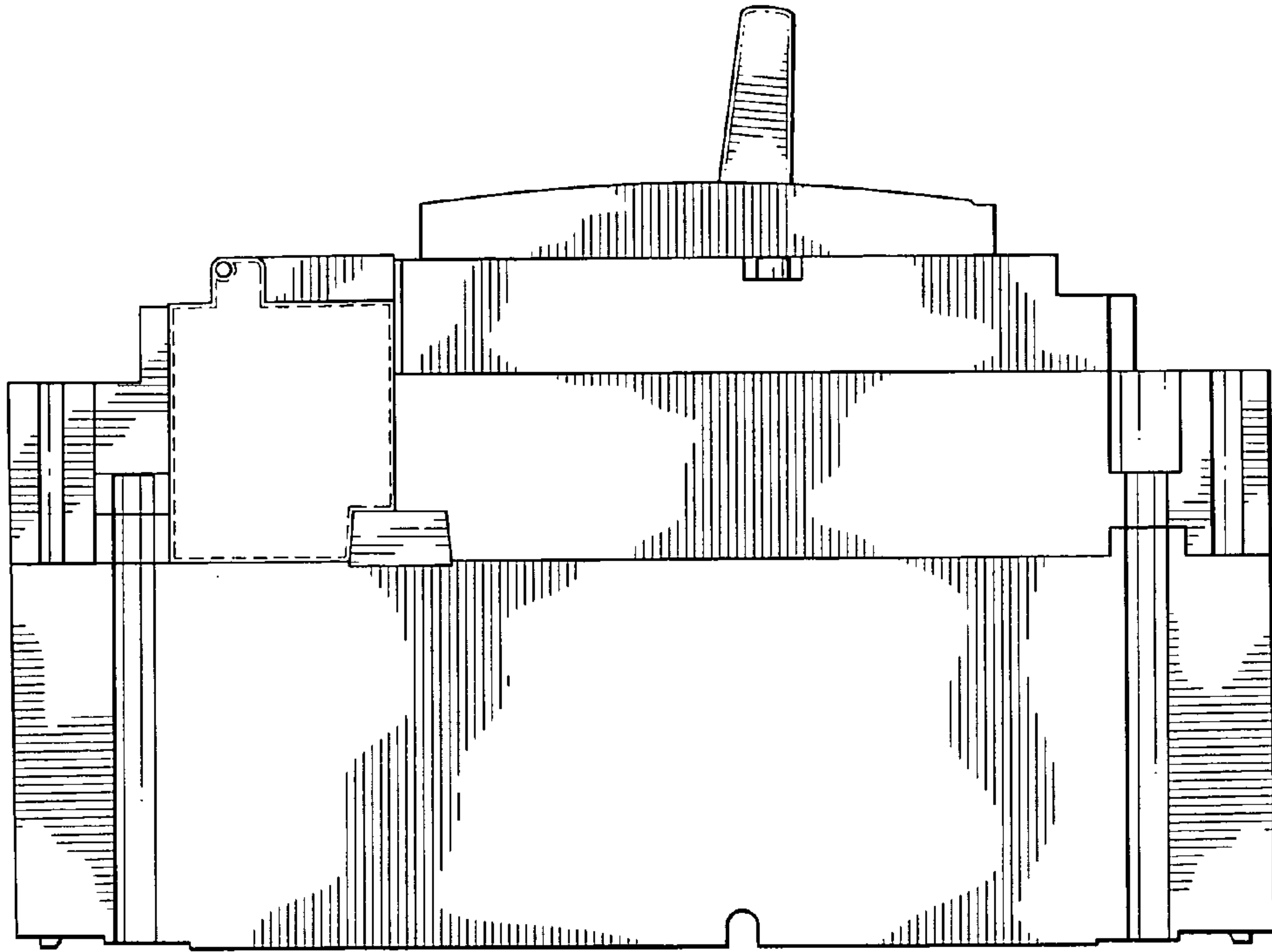


FIG. 6

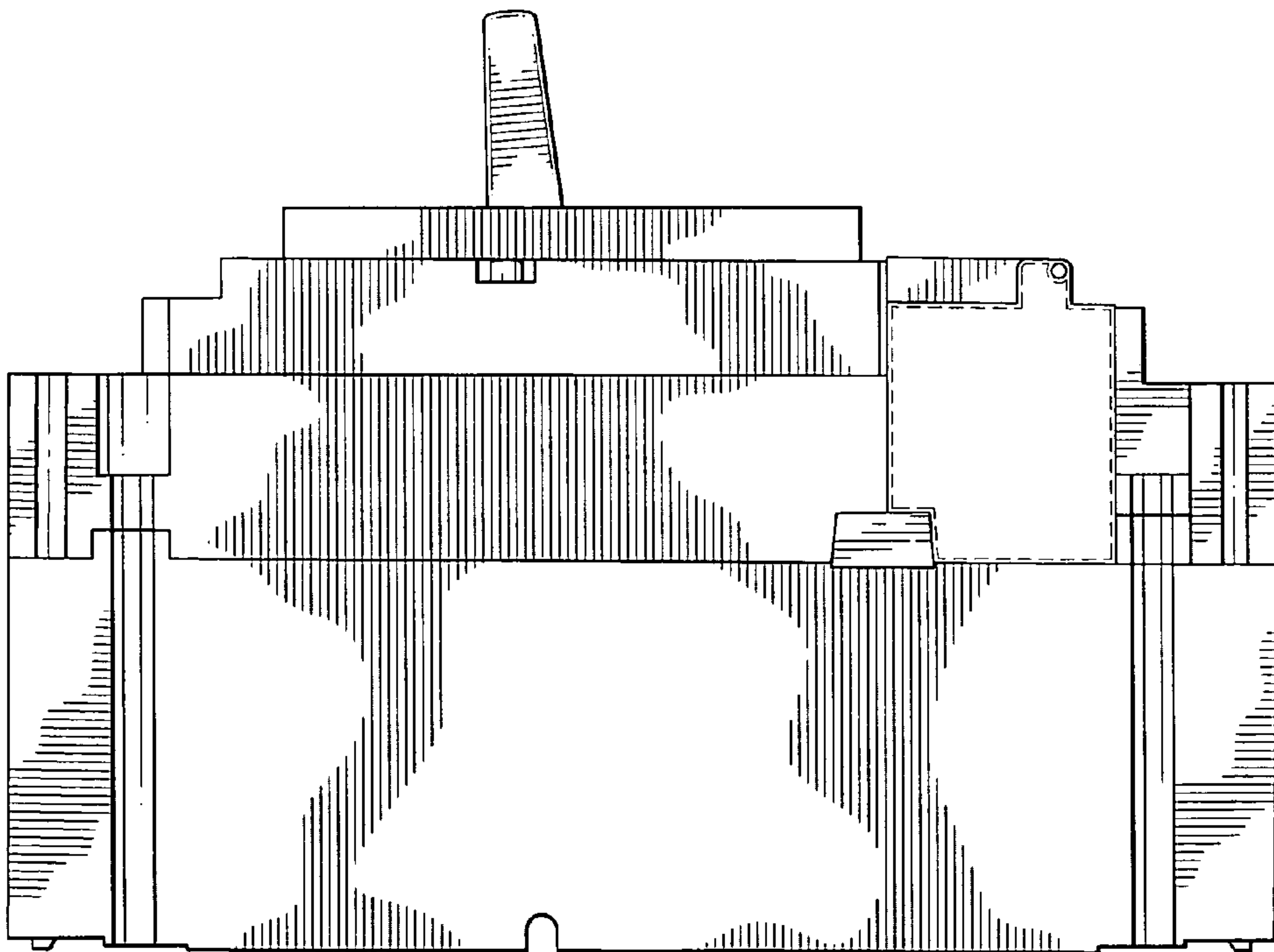


FIG. 7

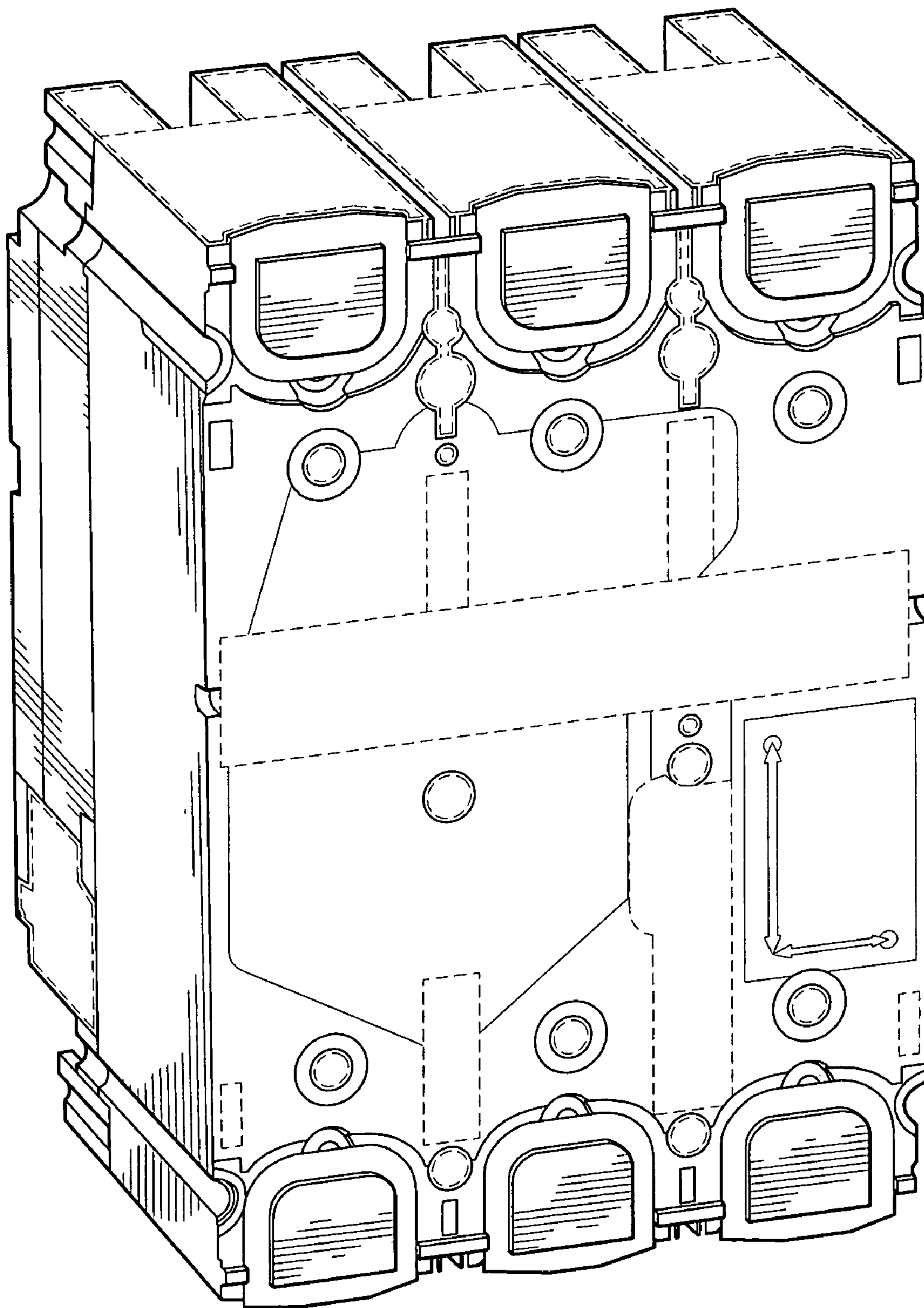


FIG. 8

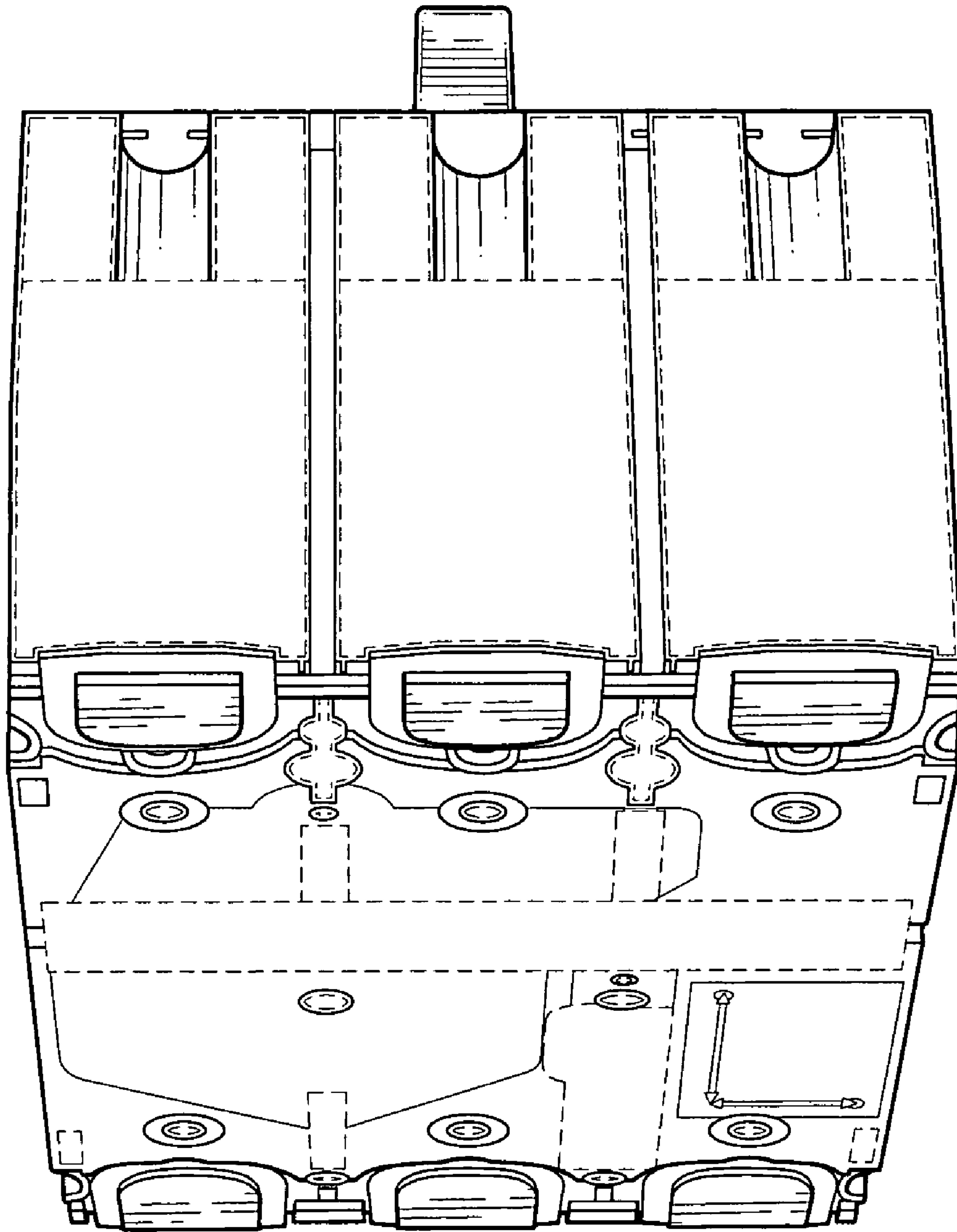


FIG. 9

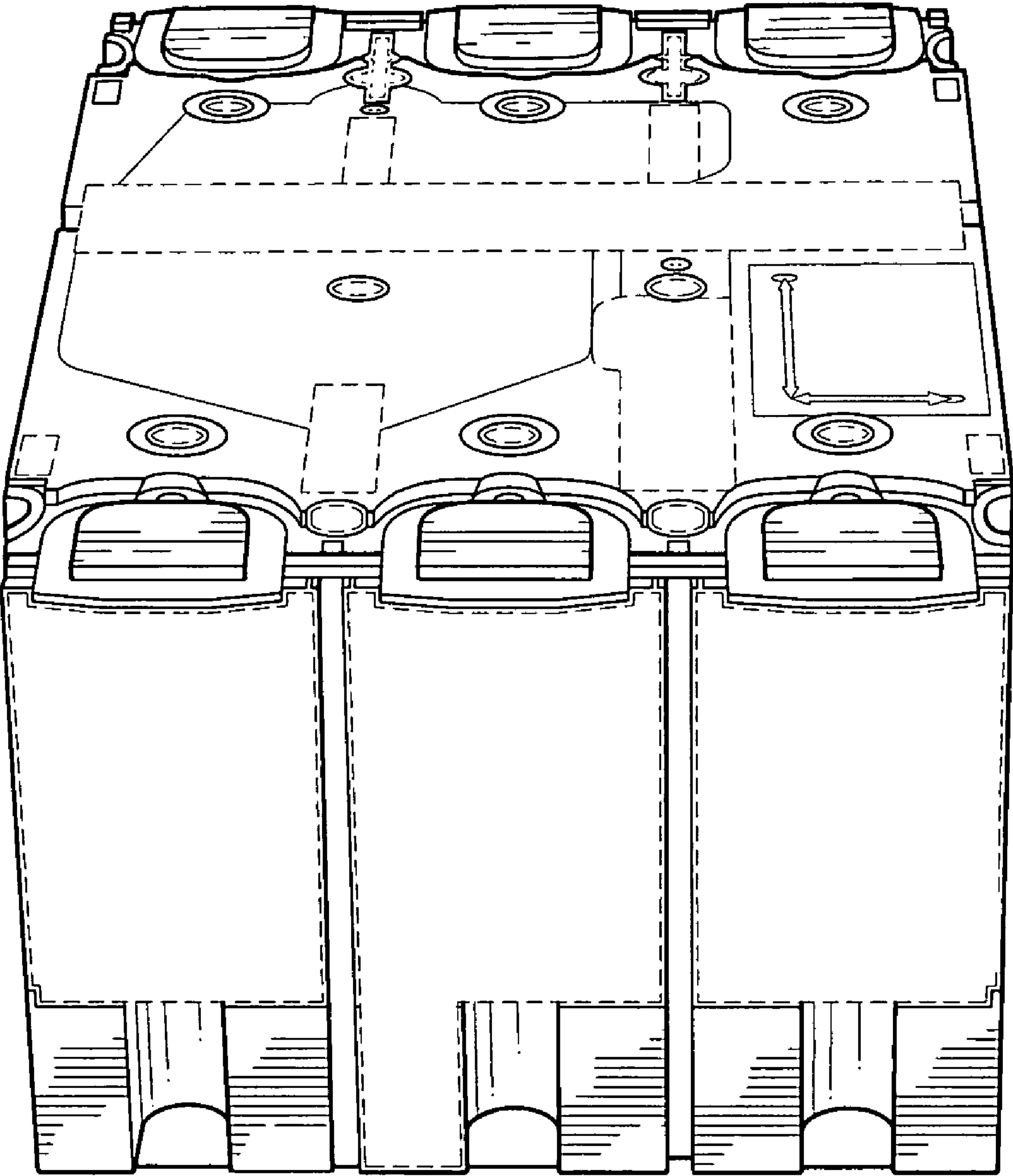


FIG. 10