



US00D616831S

(12) **United States Design Patent**
Arenas et al.

(10) **Patent No.:** **US D616,831 S**
(45) **Date of Patent:** **** Jun. 1, 2010**

(54) **MODULAR CONNECTOR**

(75) Inventors: **Alfredo Arenas**, Little Neck, NY (US);
Leslie Lindenstrauss, New York, NY
(US); **Anthony Tufano**, North
Massapequa, NY (US); **Dennis Oddsen**,
Eaton's Neck, NY (US)

(73) Assignee: **Leviton Manufacturing Company,
Inc.**, Melville, NY (US)

3,510,822 A 5/1970 Patterson
3,609,647 A 9/1971 Castellano
3,641,472 A 2/1972 Phillips, Jr.
3,716,651 A 2/1973 Werner
3,852,513 A 12/1974 Flahive
3,879,101 A 4/1975 McKissie
3,879,109 A 4/1975 Thomas
3,957,336 A 5/1976 Bromberg
3,975,074 A 8/1976 Fuller
4,165,443 A 8/1979 Figart et al.

(Continued)

(**) Term: **14 Years**

(21) Appl. No.: **29/327,447**

(22) Filed: **Nov. 5, 2008**

Related U.S. Application Data

(63) Continuation of application No. 29/284,192, filed on
Sep. 1, 2007, now abandoned.

(51) **LOC (9) Cl.** **13-03**

(52) **U.S. Cl.** **D13/154**

(58) **Field of Classification Search** D13/133,
D13/137.1, 137.4, 139.1, 139.3, 139.6, 146-147,
D13/153, 154, 184; 174/51; 439/535, 536,
439/538

See application file for complete search history.

(56) **References Cited**

U.S. PATENT DOCUMENTS

1,938,309 A 12/1933 Williams
1,938,917 A 12/1933 Loetscher
2,397,688 A 4/1946 Osinski
2,399,688 A 5/1946 Metzner et al.
2,433,917 A 1/1948 McCartney
2,515,256 A 7/1950 O'Brien et al.
2,985,334 A 5/1961 Slater
3,002,175 A 9/1961 Bertram et al.
3,038,141 A 6/1962 Chiuchiolo
3,121,599 A 2/1964 Modrey
3,156,761 A 11/1964 Schinske

OTHER PUBLICATIONS

International Search Report dated May 7, 2008 for PCT/US 2007/
82460; filed on Oct. 25, 2007.

(Continued)

Primary Examiner—Daniel D Bui

(74) *Attorney, Agent, or Firm*—Collard & Roe, P.C.

(57) **CLAIM**

The ornamental design for a modular connector, as shown and
described.

DESCRIPTION

FIG. 1 shows a front perspective view of the module connec-
tor showing our design;

FIG. 2 shows a rear perspective view thereof;

FIG. 3 shows a rear view thereof;

FIG. 4 shows a front view thereof;

FIG. 5 shows a left-side view thereof;

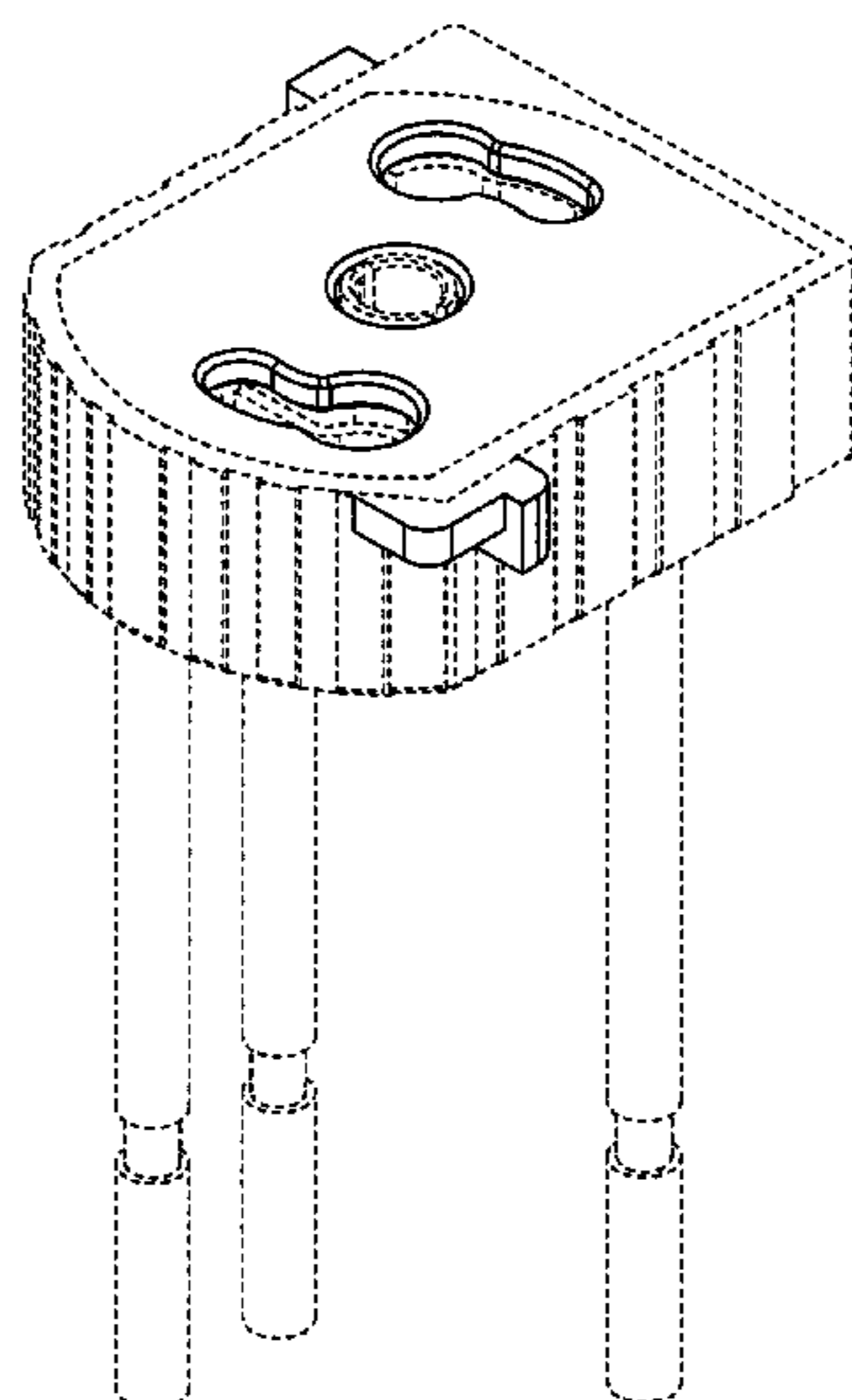
FIG. 6 shows a right-side view thereof;

FIG. 7 shows a top-side view thereof; and,

FIG. 8 shows a bottom-side view thereof.

The broken line portion of the figure drawings is included to
show unclaimed subject matter and forms no part of the
claimed design.

1 Claim, 4 Drawing Sheets



US D616,831 S

Page 2

U.S. PATENT DOCUMENTS

4,166,934	A	9/1979	Marrero	6,767,245	B2	7/2004	King
4,245,880	A	1/1981	Zimmerman, Jr. et al.	6,774,307	B2	8/2004	Kruse et al.
4,273,957	A	6/1981	Kolling, Jr.	6,817,873	B1	11/2004	Gorman
4,289,921	A	9/1981	Gartner et al.	6,829,124	B2	12/2004	Leopold et al.
4,295,018	A	10/1981	Borrelli	6,831,226	B2	12/2004	Allen, Jr.
4,336,418	A	6/1982	Hoag	6,843,680	B2	1/2005	Gorman
4,386,820	A	6/1983	Dola et al.	6,857,903	B2	2/2005	Hyde
4,443,654	A	4/1984	Flachbarth et al.	6,863,561	B2	3/2005	Gorman
4,477,141	A	10/1984	Hardesty	6,870,099	B1	3/2005	Schultz et al.
4,589,719	A	5/1986	Gentry et al.	6,876,888	B2	4/2005	Locke
4,669,804	A	6/1987	Munroe	6,884,111	B2	4/2005	Gorman
4,725,249	A	2/1988	Blackwood et al.	6,894,221	B2	5/2005	Gorman
4,842,551	A	6/1989	Heimann	6,939,179	B1	9/2005	Kieffer, Jr. et al.
4,917,625	A	4/1990	Haile	6,945,815	B1	9/2005	Mullally
4,960,388	A	10/1990	Frantz et al.	6,955,559	B2	10/2005	Pyrros
5,015,203	A	5/1991	Furrow	6,979,212	B1	12/2005	Gorman
5,043,531	A	8/1991	Gutenson et al.	6,986,674	B1	1/2006	Gorman
5,046,961	A	9/1991	Hoffman	6,994,585	B2	2/2006	Benoit et al.
5,057,646	A	10/1991	Nichols et al.	7,004,595	B1	2/2006	Stoddard
5,117,122	A	5/1992	Hogarth et al.	7,052,313	B2	5/2006	Gorman
D329,422	S	9/1992	Fujiyoshi	7,060,897	B2	6/2006	Gorman
5,160,808	A	11/1992	Hadfield	7,081,009	B2	7/2006	Gorman
5,162,611	A	11/1992	Nichols, III et al.	7,081,010	B2	7/2006	Gorman
5,178,555	A	1/1993	Kilpatrick et al.	7,101,187	B1	9/2006	Deconinck et al.
5,185,580	A	2/1993	Nichols, III et al.	7,104,836	B1	9/2006	Gorman
5,190,468	A	3/1993	Nichols, III et al.	D537,414	S	2/2007	Saito
D340,912	S	11/1993	Miller	7,189,110	B1	3/2007	Savicki, Jr.
D341,125	S	11/1993	Miller	7,195,517	B1	3/2007	Savicki, Jr.
5,297,973	A	3/1994	Gorman	D547,721	S	7/2007	Harano et al.
5,352,122	A	10/1994	Speyer et al.	7,273,392	B2	9/2007	Fields
5,397,806	A	3/1995	Soled et al.	7,285,009	B1	10/2007	Benoit et al.
5,397,929	A	3/1995	Hogarth et al.	D563,877	S	3/2008	Grant
5,582,522	A	12/1996	Johnson	7,357,652	B1 *	4/2008	Arenas et al. 439/107
5,584,714	A	12/1996	Karst et al.	7,407,410	B1 *	8/2008	Benoit et al. 439/535
5,605,466	A	2/1997	Devlin et al.	7,459,632	B2	12/2008	Bowman
5,662,500	A	9/1997	Yeah	7,510,429	B1	3/2009	Savicki, Jr. et al.
5,785,551	A	7/1998	Libby	2002/0052139	A1	5/2002	Gorman
D405,761	S	2/1999	Yu	2002/0055301	A1	5/2002	Gorman
5,865,633	A	2/1999	Hou	2003/0236011	A1	12/2003	Gorman
5,964,618	A	10/1999	McCarthy	2004/0130218	A1	7/2004	Locke
5,975,938	A	11/1999	Libby	2004/0206541	A1	10/2004	Locke
6,028,268	A	2/2000	Stark et al.	2005/0006124	A1	1/2005	Kruse et al.
6,045,374	A	4/2000	Candeloro	2005/0070161	A1	3/2005	Dunwoody
6,071,132	A	6/2000	Cook	2005/0075007	A1	4/2005	Benoit et al.
D430,539	S	9/2000	Leopold et al.	2005/0250377	A1	11/2005	Gorman
D434,726	S	12/2000	Middlehurst	2005/0250378	A1	11/2005	Gorman
D434,729	S	12/2000	Hwang	2005/0250378	A1	11/2005	Gorman
6,156,971	A	12/2000	May	2005/0272304	A1	12/2005	Gorman
6,309,248	B1	10/2001	King	2005/0272305	A1	12/2005	Gorman
6,319,016	B1	11/2001	Juntwait	2006/0030183	A1	2/2006	Yoshida et al.
6,328,581	B1	12/2001	Lee et al.	2008/0207046	A1	8/2008	Arenas et al.
6,341,981	B1	1/2002	Gorman	2008/0268679	A1	10/2008	Tiberio et al.
6,376,770	B1	4/2002	Hyde	2009/0053925	A1	2/2009	Pyrros
6,417,450	B1	7/2002	Young	2009/0197461	A1	8/2009	Benoit et al.
6,494,728	B1	12/2002	Gorman				
6,515,564	B2	2/2003	Leopold et al.				
6,544,049	B1	4/2003	Pierson, Jr.				
6,558,190	B1	5/2003	Pierson, Jr.				
6,563,049	B2	5/2003	May				
6,617,511	B2	9/2003	Schultz et al.				

OTHER PUBLICATIONS

International Preliminary Report on Patentability dated Apr. 28, 2009 for PCT/US2007/082460; filed on Oct. 25, 2007.

Notice of Allowance for U.S. Appl. No. 29/337,364 that was mailed on Dec. 29, 2009.

* cited by examiner

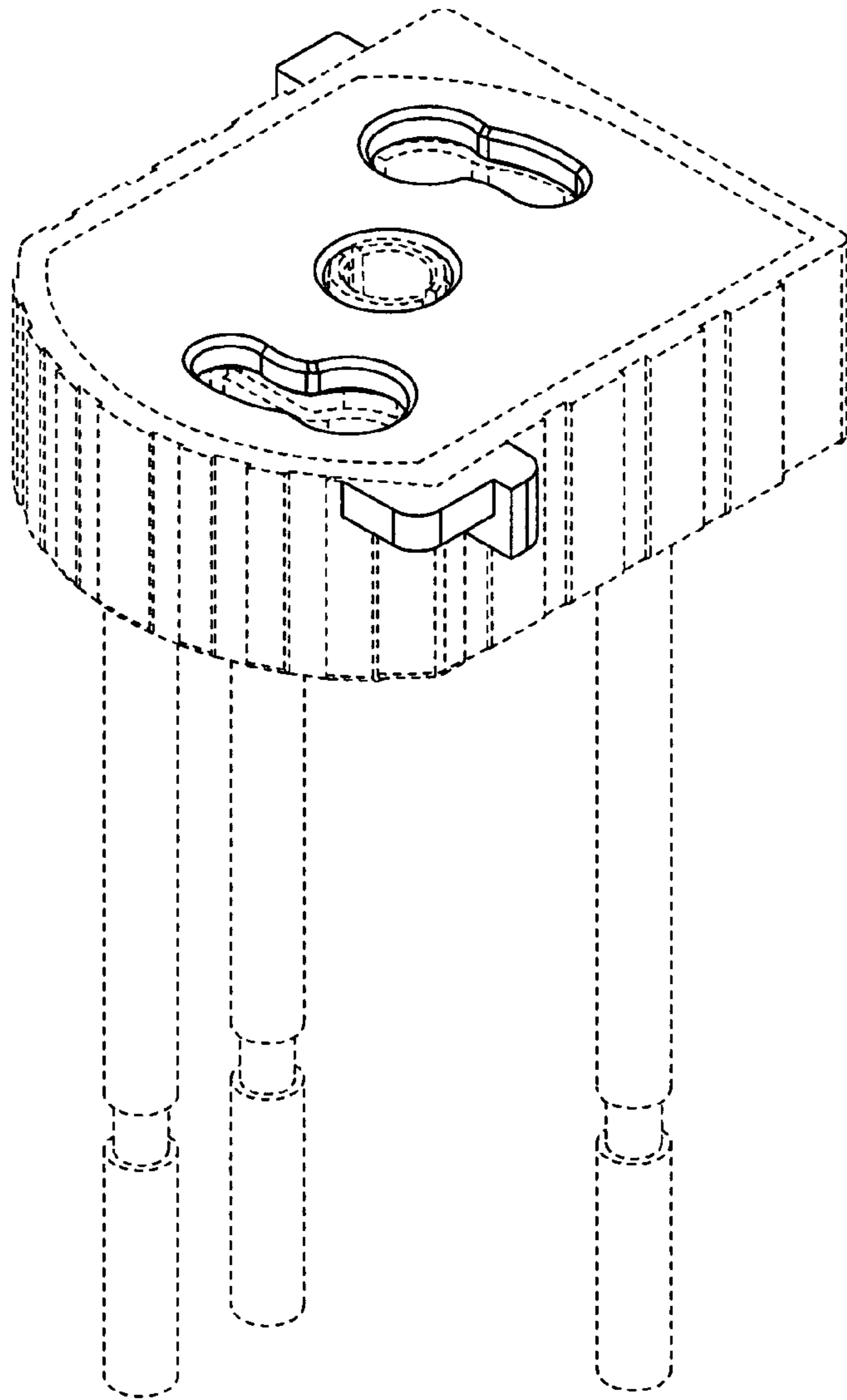


FIG. 1

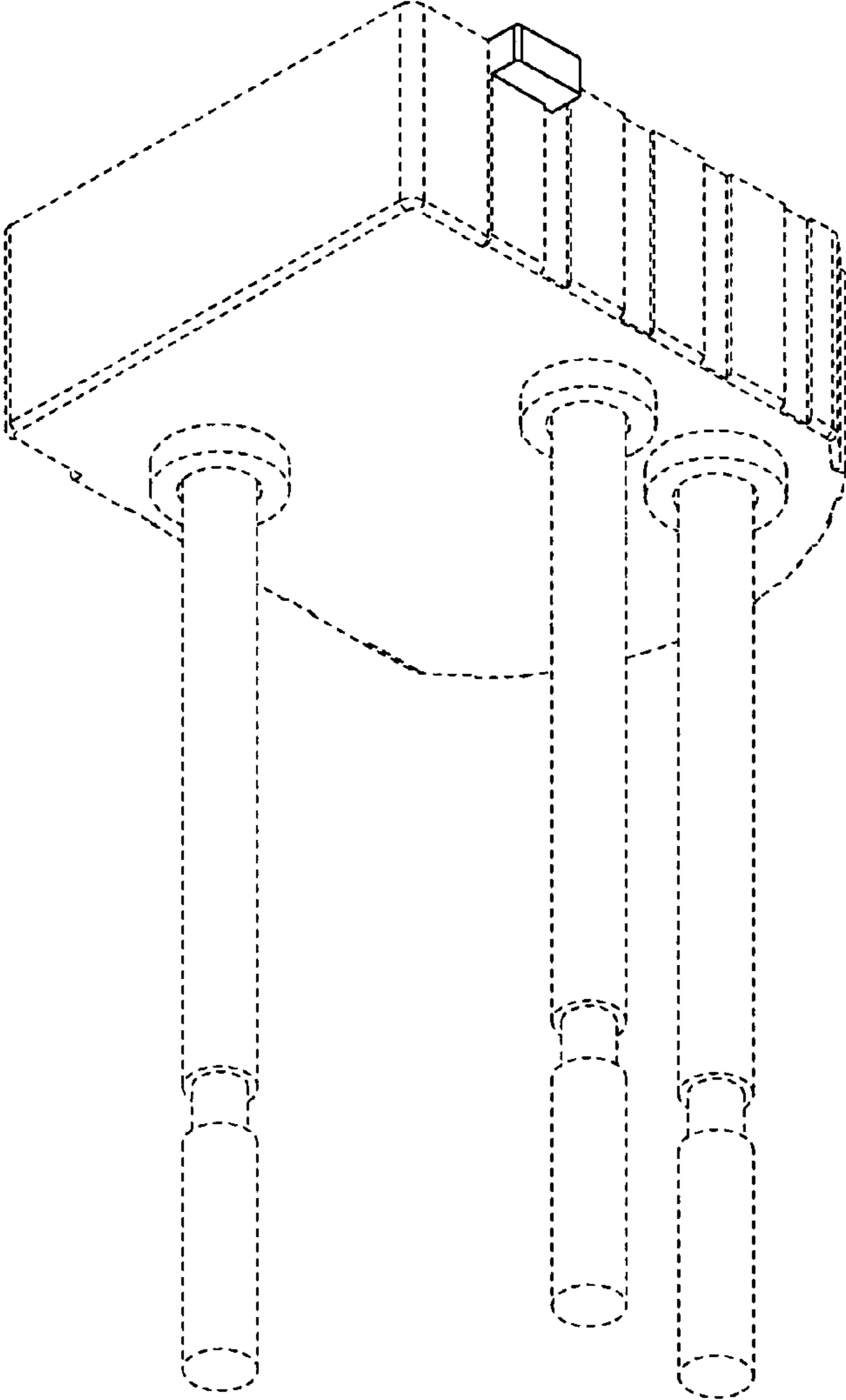


FIG. 2

FIG. 3

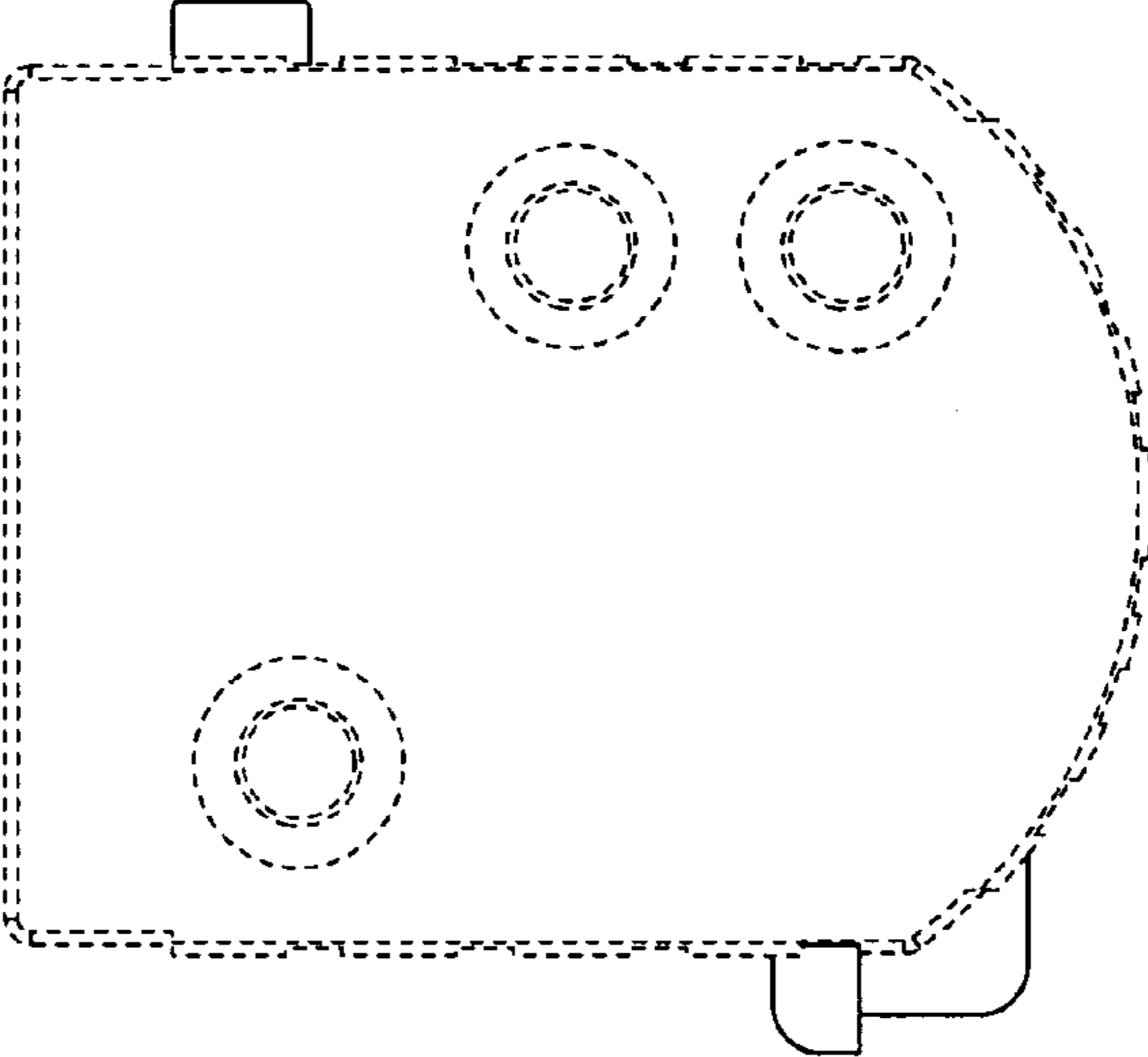
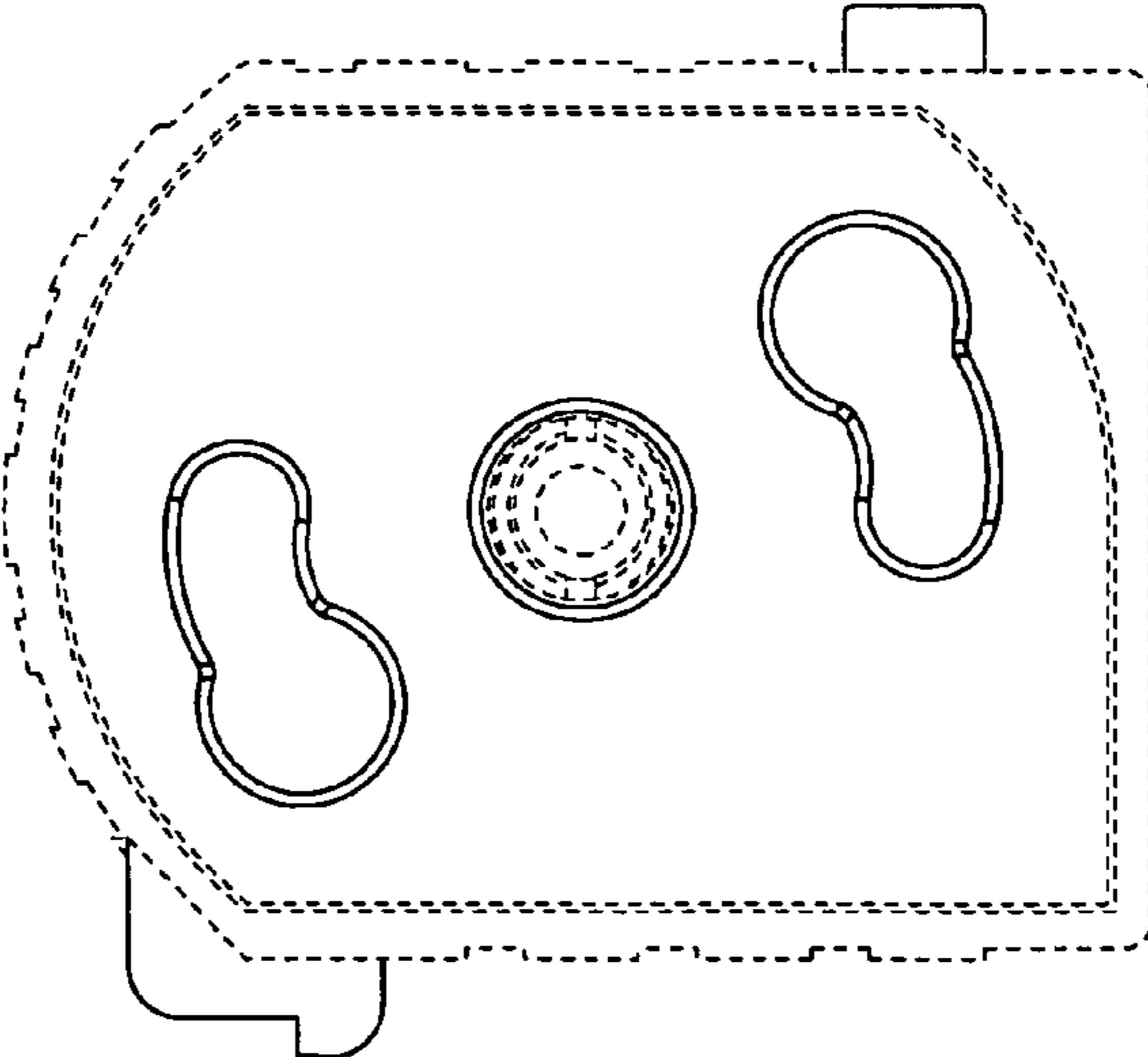


FIG. 4



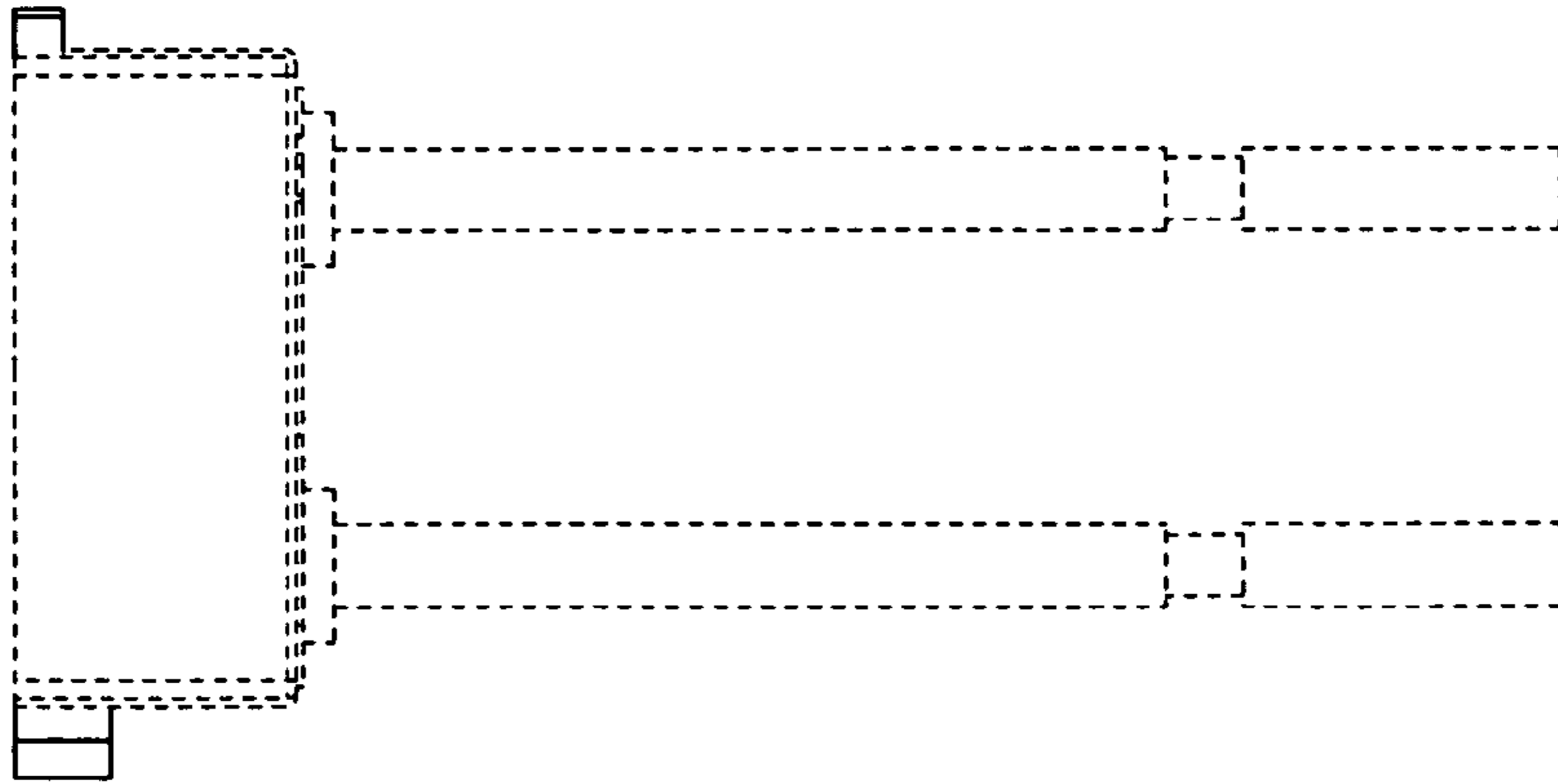


FIG. 5

FIG. 6

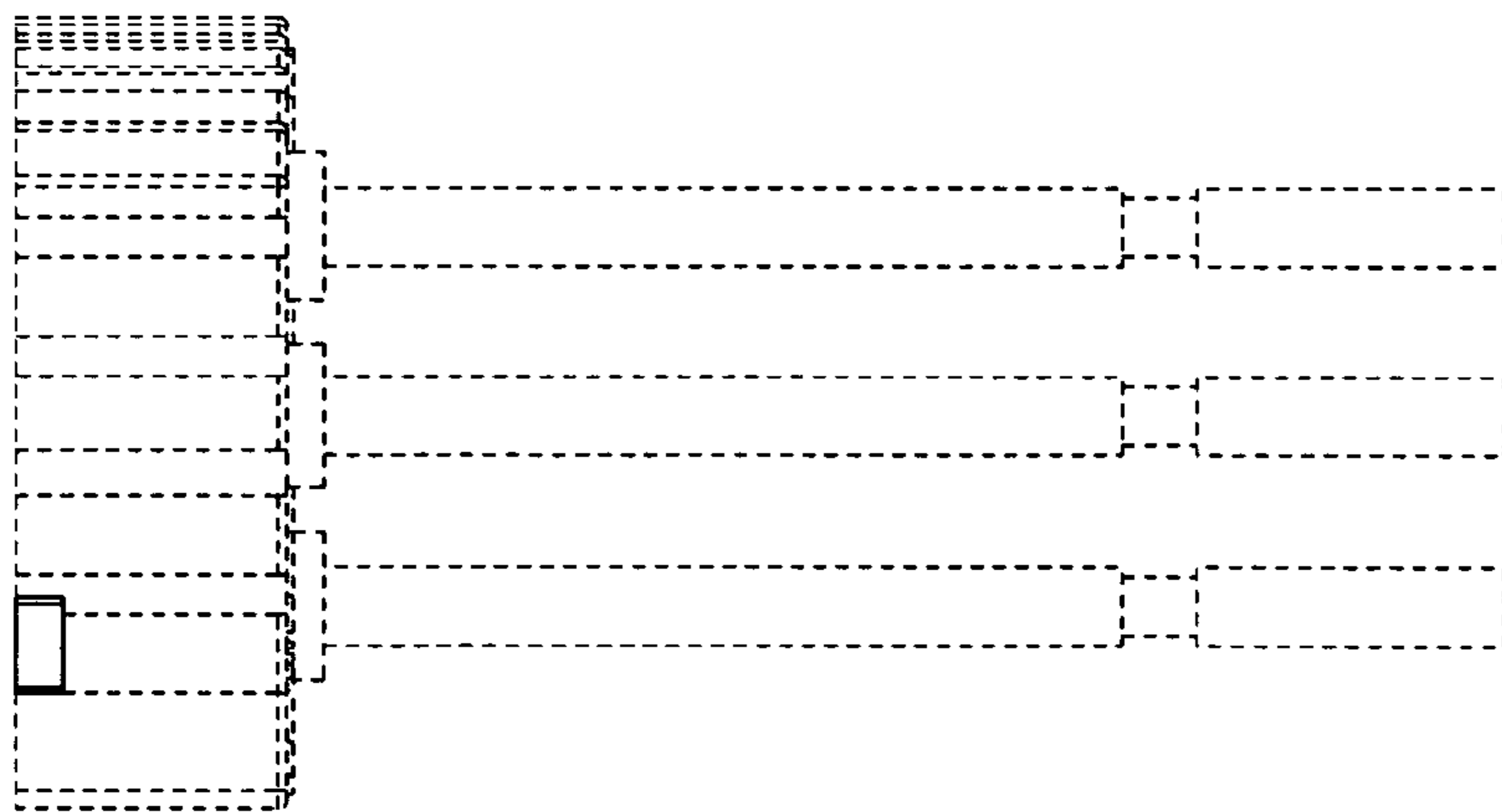
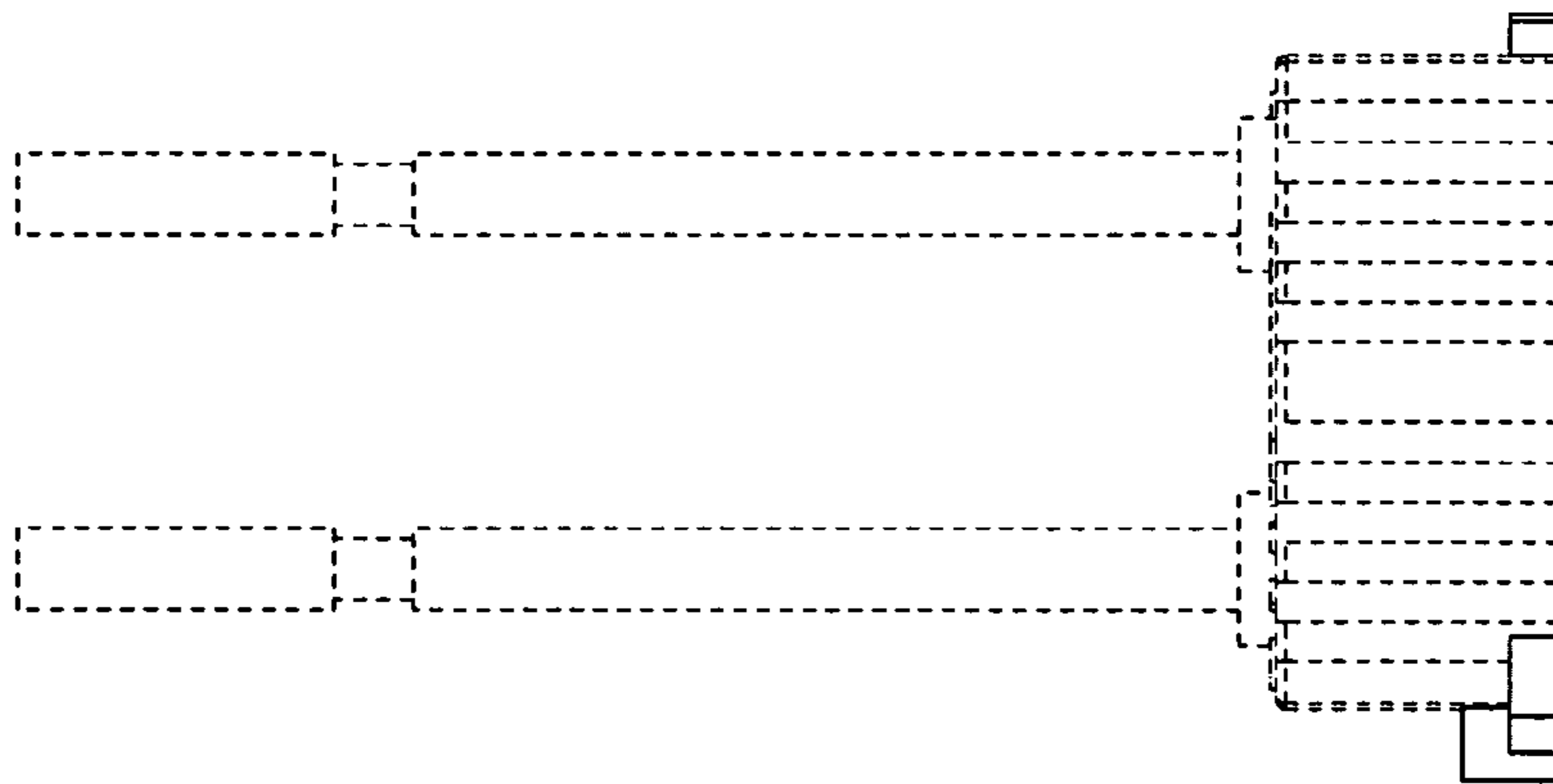


FIG. 7

FIG. 8

