



US00D616830S

(12) **United States Design Patent**
Sasaki et al.

(10) **Patent No.:** **US D616,830 S**
(45) **Date of Patent:** **** Jun. 1, 2010**

(54) **ELECTRICAL CONNECTOR**

(75) Inventors: **Daisuke Sasaki**, Isesaki (JP); **Junichi Arai**, Isesaki (JP)

(73) Assignee: **Hosiden Corporation**, Osaka (JP)

(**) Term: **14 Years**

(21) Appl. No.: **29/345,908**

(22) Filed: **Oct. 23, 2009**

(30) **Foreign Application Priority Data**

Apr. 27, 2009 (JP) 2009-009677

(51) **LOC (9) Cl.** **13-03**

(52) **U.S. Cl.** **D13/147**

(58) **Field of Classification Search** D13/147,
D13/154, 184; 439/79, 108, 278, 374, 607-610,
439/660, 680, 682, 891, 894

See application file for complete search history.

(56) **References Cited**

U.S. PATENT DOCUMENTS

D478,551 S * 8/2003 Zhang et al. D13/147

D523,400 S * 6/2006 Shang-Yen et al. D13/147
D598,390 S * 8/2009 Sun et al. D13/147
D599,294 S * 9/2009 Yang et al. D13/147

* cited by examiner

Primary Examiner—Daniel D Bui

(74) *Attorney, Agent, or Firm*—Rankin, Hill & Clark LLP

(57) **CLAIM**

The ornamental design for an electrical connector, as shown and described.

DESCRIPTION

FIG. 1 is a top, front and right side perspective view of an electrical connector showing our new design;

FIG. 2 is a bottom, rear and left side perspective view thereof;

FIG. 3 is a front elevation view thereof;

FIG. 4 is a rear elevation view thereof;

FIG. 5 is a left side elevation view thereof, a right side elevation view being a mirror image thereto;

FIG. 6 is a top plan view thereof; and,

FIG. 7 is a bottom plan view thereof.

1 Claim, 4 Drawing Sheets

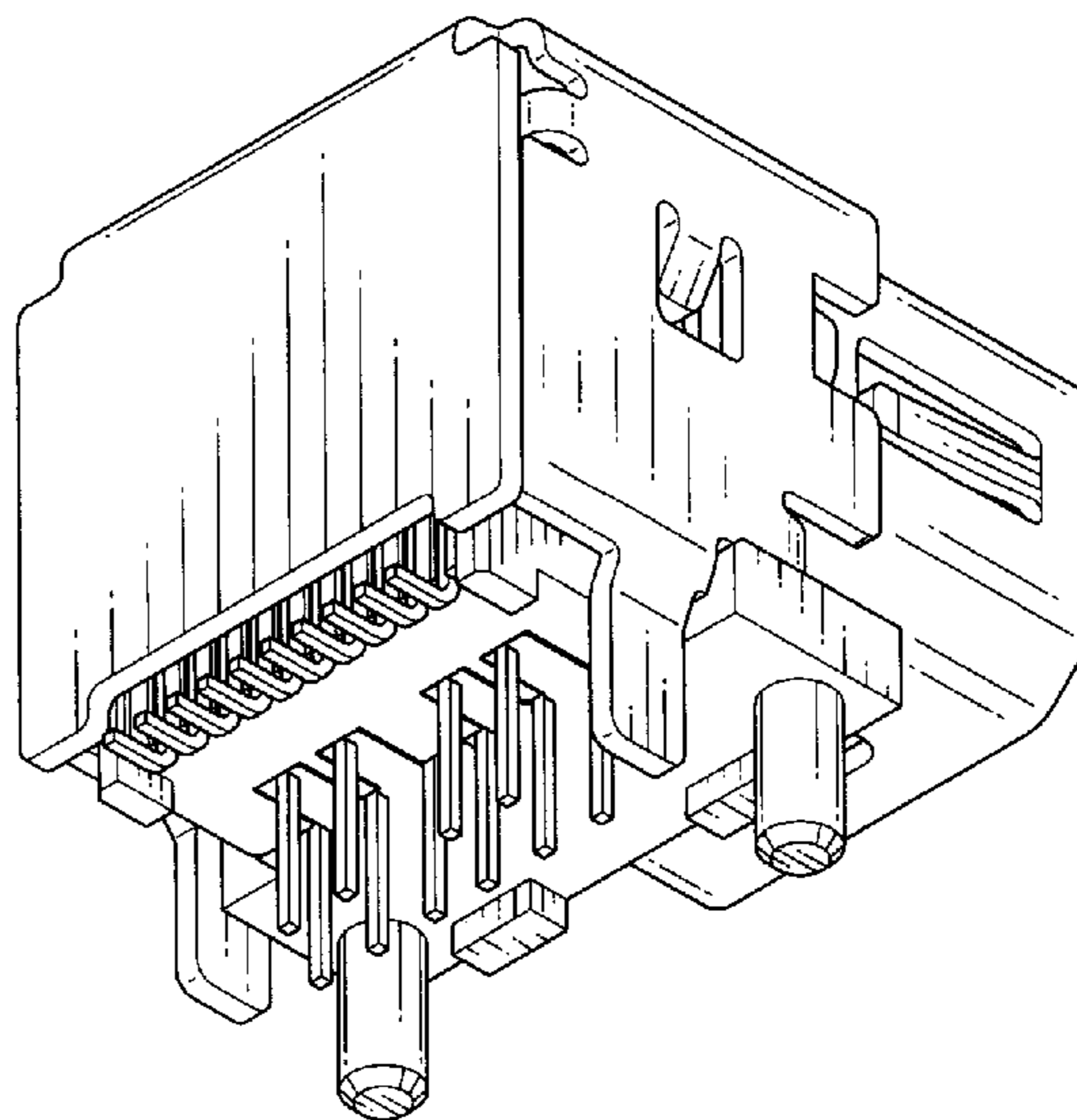
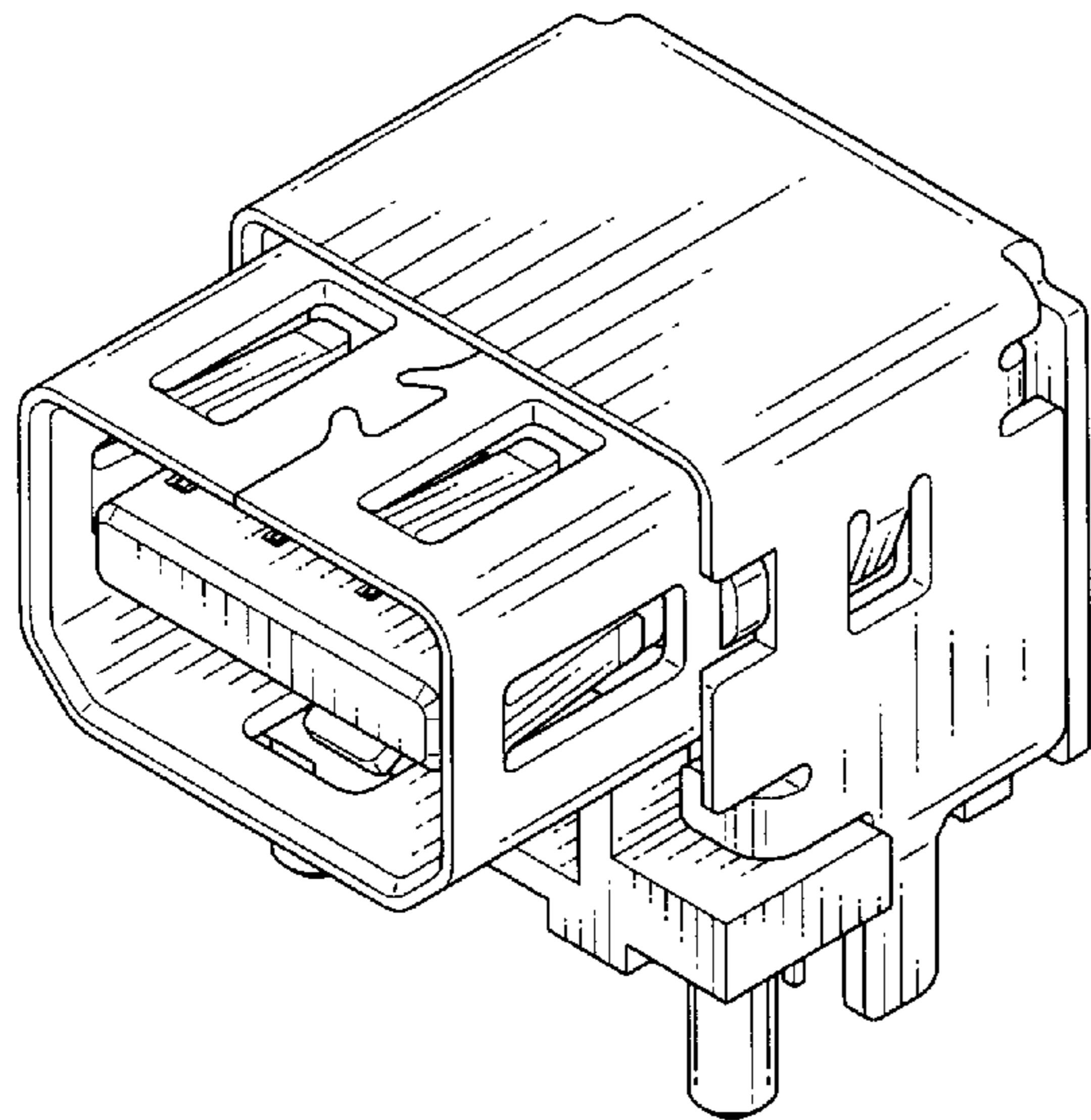


Fig. 1

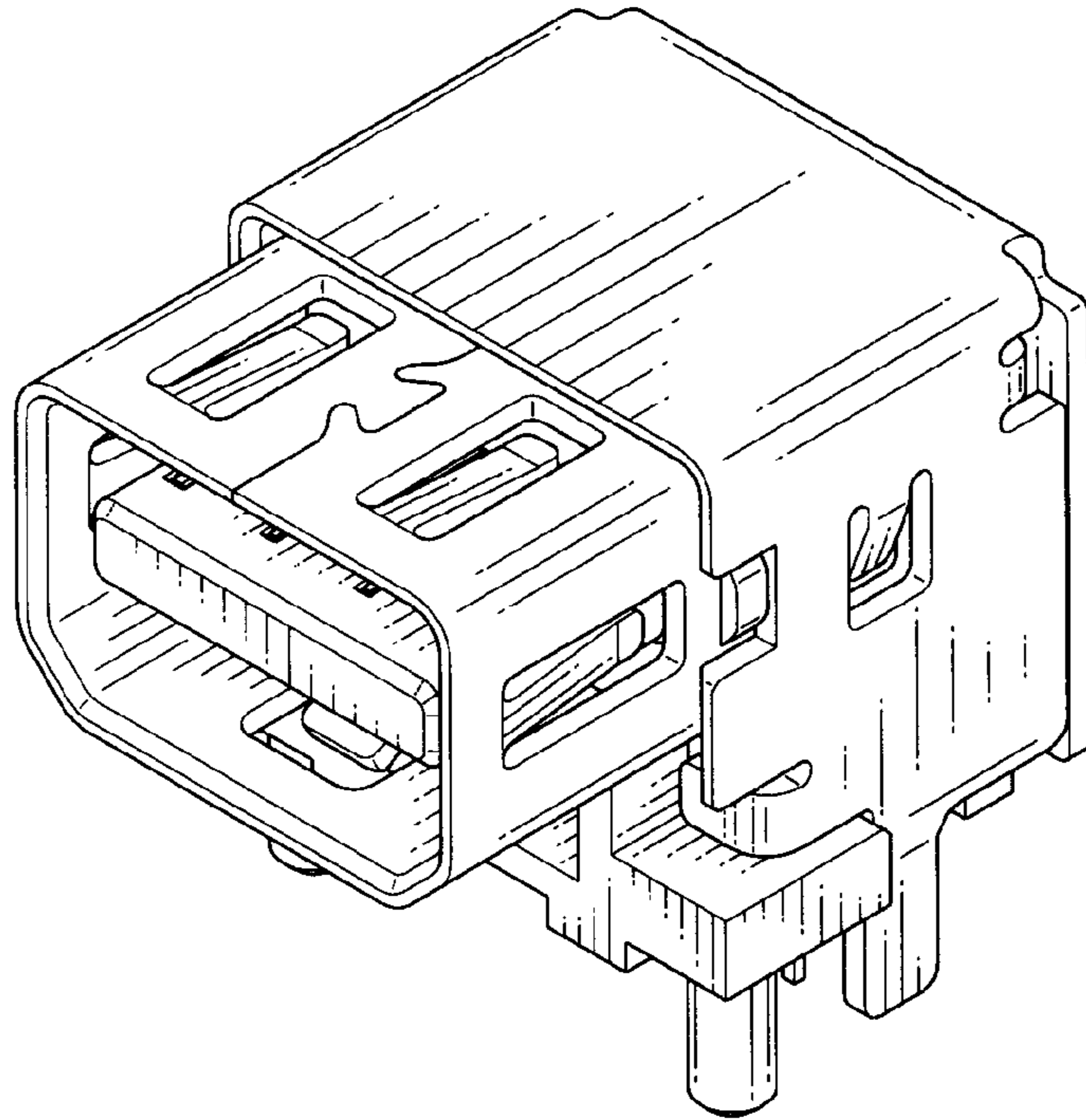


Fig. 2

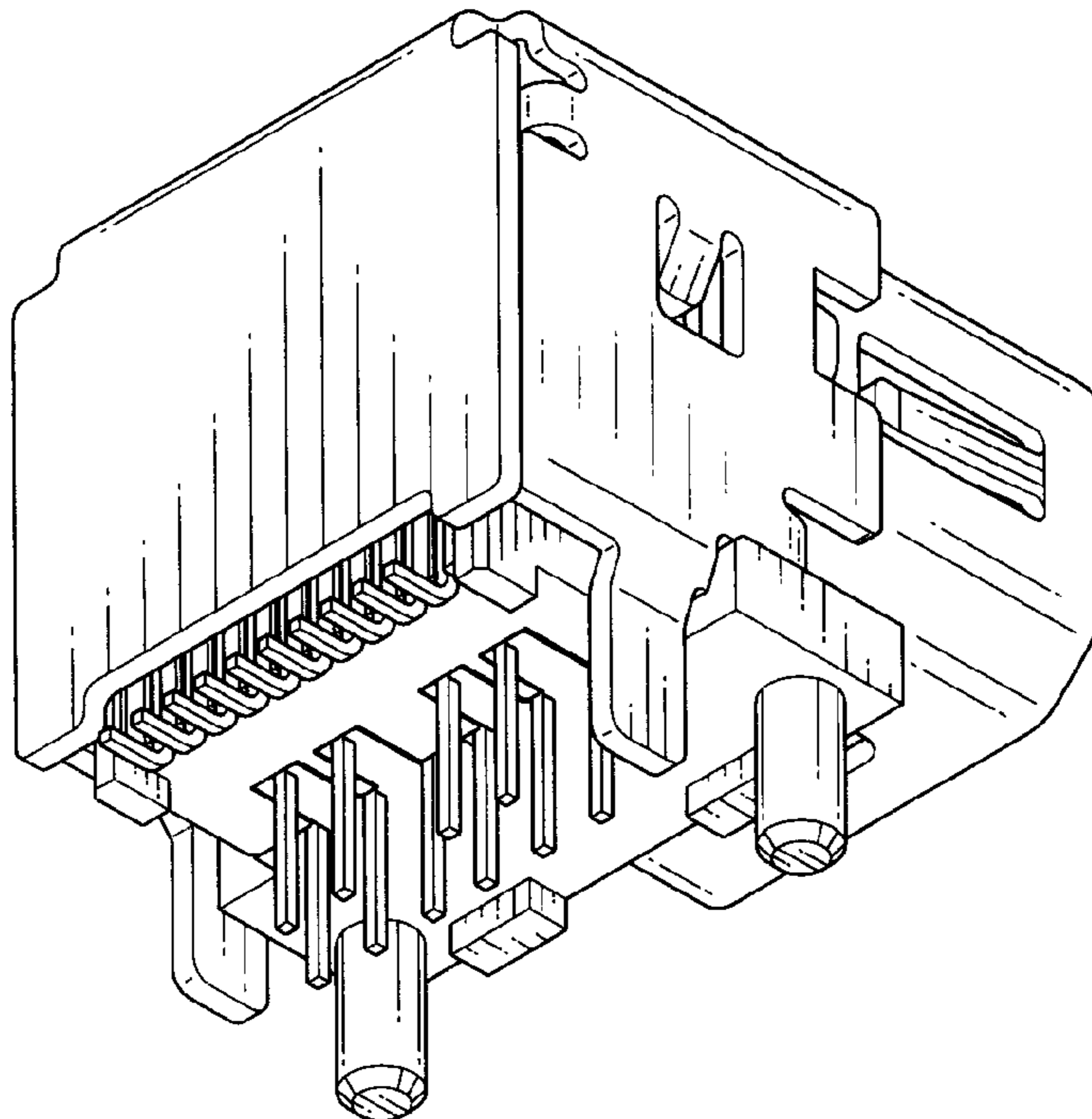


Fig. 3

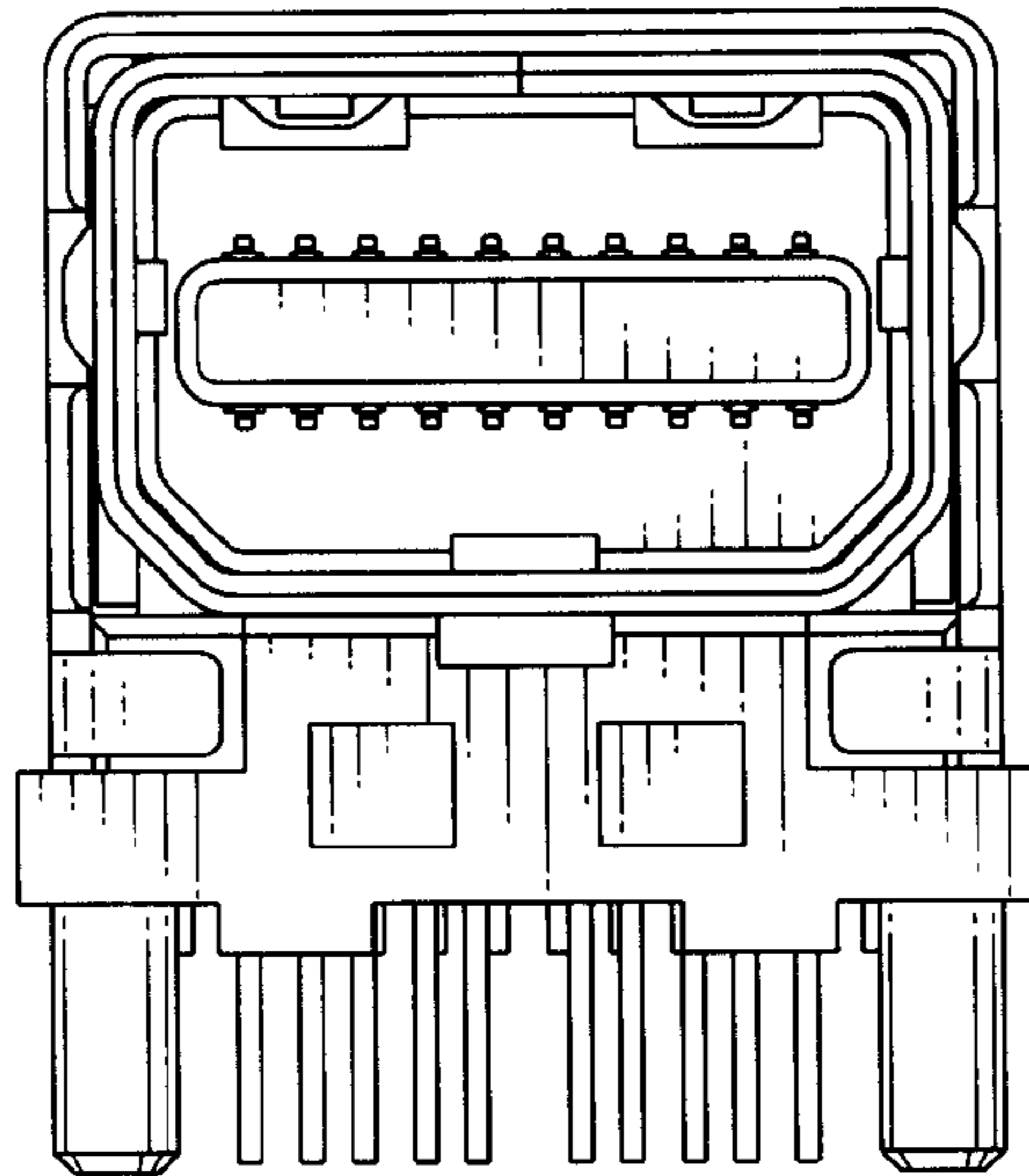


Fig. 4

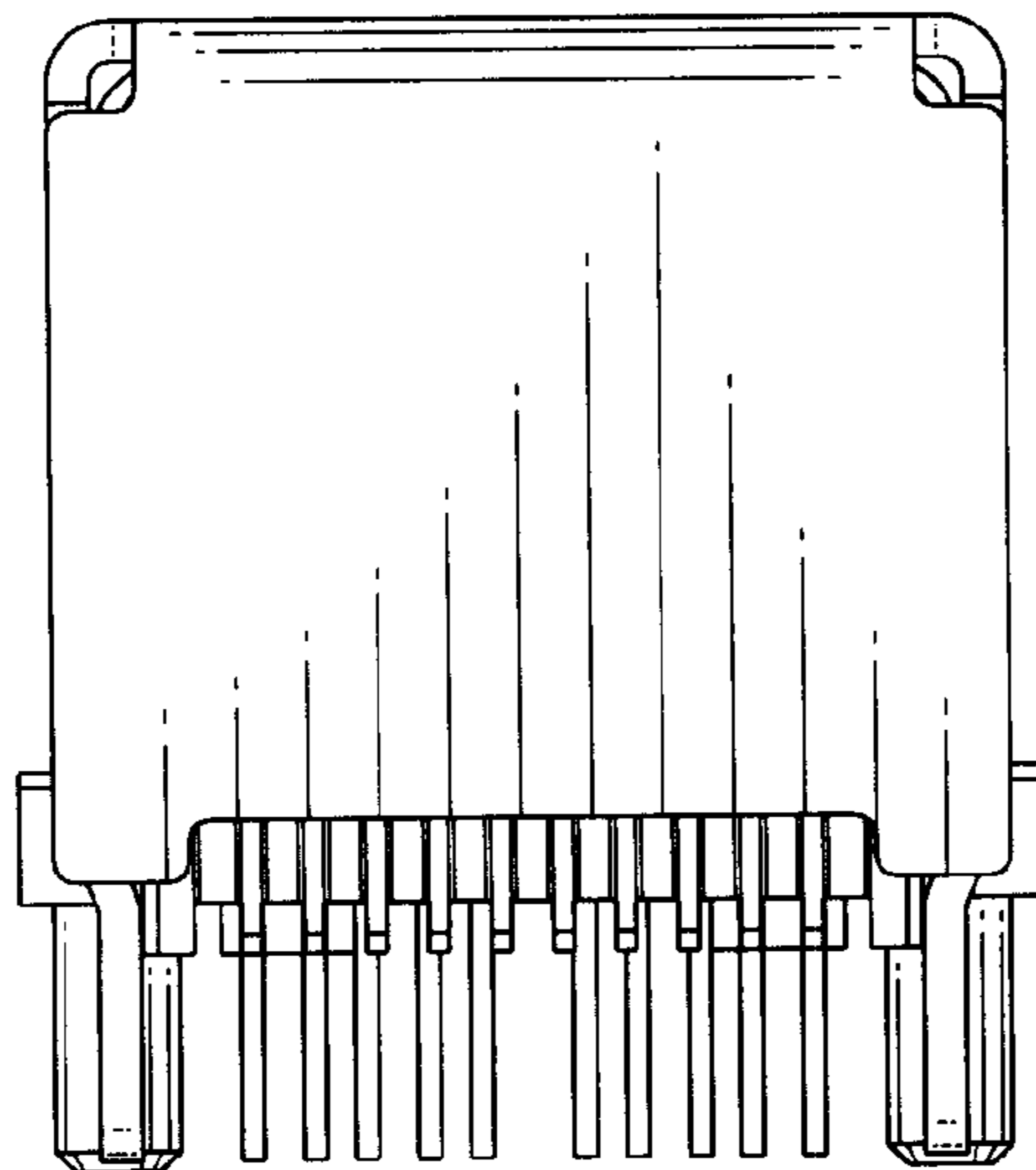


Fig. 5

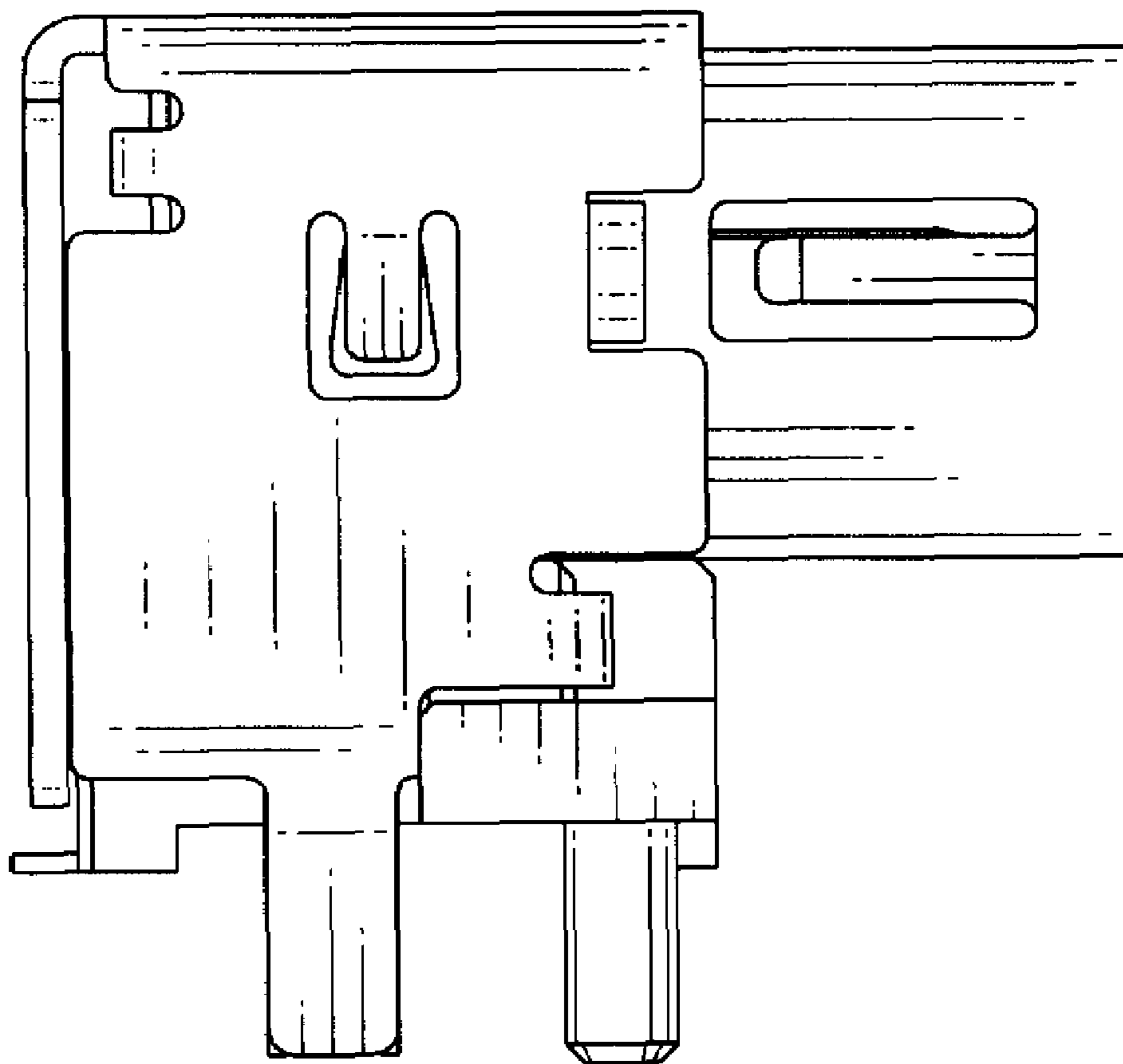


Fig. 6

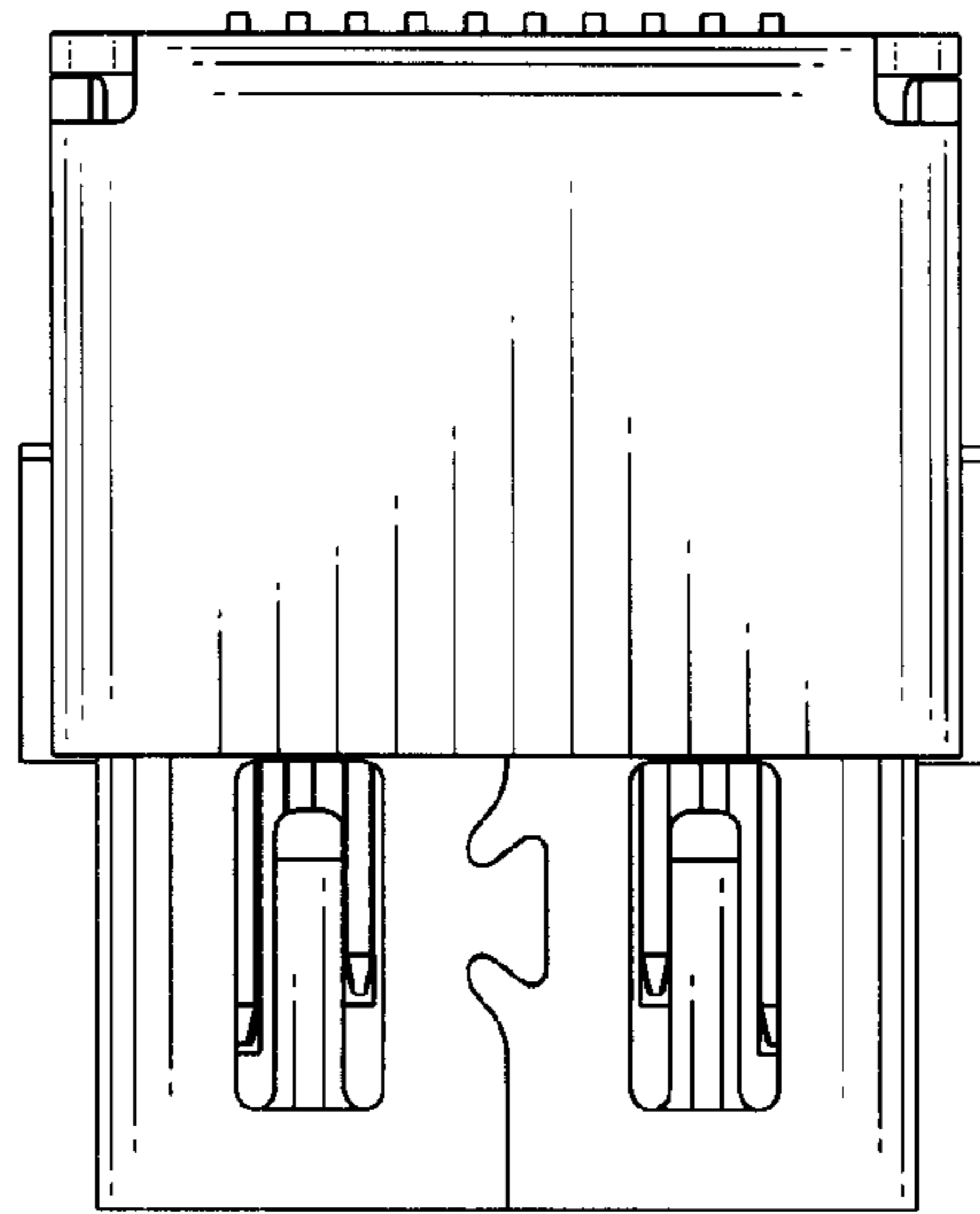


Fig. 7

