



US00D616829S

(12) **United States Design Patent**
Wang et al.

(10) **Patent No.:** **US D616,829 S**
(45) **Date of Patent:** **** Jun. 1, 2010**

(54) **ELECTRICAL CONNECTOR**

(75) Inventors: **Chen-Xi Wang**, Kunshan (CN);
Hong-Qiang Han, Kunshan (CN);
Zi-Qiang Zhu, Kunshan (CN)

(73) Assignee: **Hon Hai Precision Ind. Co., Ltd**, Taipei
Hsien (TW)

(**) Term: **14 Years**

(21) Appl. No.: **29/345,862**

(22) Filed: **Oct. 23, 2009**

(30) **Foreign Application Priority Data**

Apr. 23, 2009 (CN) 2009 3 0303491

(51) **LOC (9) Cl.** **13-03**

(52) **U.S. Cl.** **D13/147**

(58) **Field of Classification Search** D13/147,
D13/154, 184; 439/108, 476.1, 483, 527,
439/533, 607-610, 892, 894

See application file for complete search history.

(56) **References Cited**

U.S. PATENT DOCUMENTS

D510,069 S * 9/2005 Tsai D13/147
D535,624 S * 1/2007 Toyota et al. D13/147
D559,189 S * 1/2008 Arai et al. D13/147

D559,190 S * 1/2008 Arai et al. D13/147
D600,646 S * 9/2009 Han et al. D13/147
D602,873 S * 10/2009 Sasaki et al. D13/147

* cited by examiner

Primary Examiner—Daniel D Bui

(74) *Attorney, Agent, or Firm*—Wei Te Chung; Andrew C.
Cheng; Ming Chieh Chang

(57) **CLAIM**

The ornamental design for an electrical connector, as shown
and described.

DESCRIPTION

FIG. 1 is a front, top and right side perspective view of an
electrical connector showing our new design;

FIG. 2 is a front elevational view thereof;

FIG. 3 is a rear elevational view thereof;

FIG. 4 is a left side elevational view thereof;

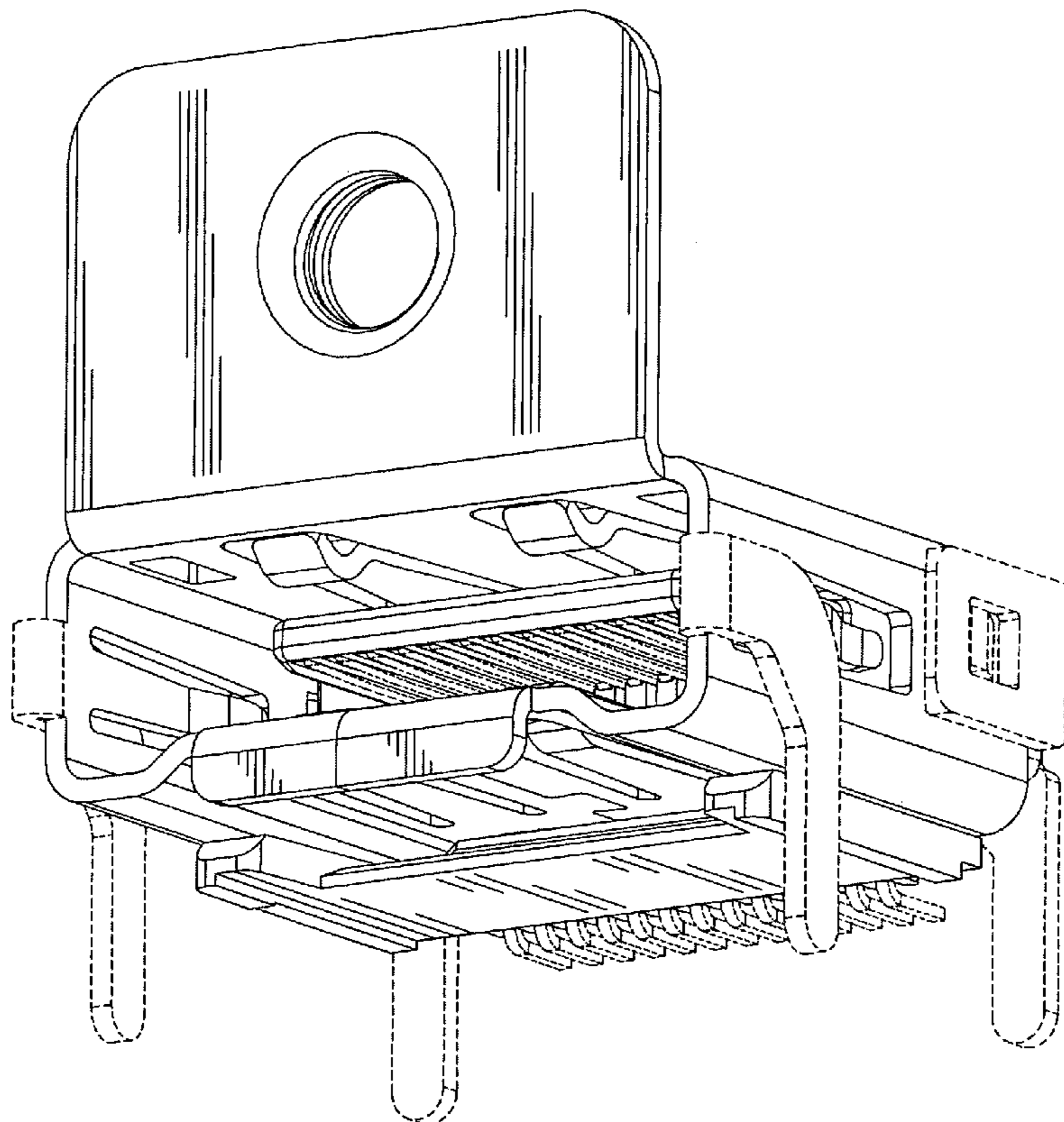
FIG. 5 is a right side elevational view thereof;

FIG. 6 is a top plan view thereof; and,

FIG. 7 is a bottom plan view thereof.

The broken line portion in the drawing views is included to
show unclaimed subject matter only and forms no part of the
claimed design.

1 Claim, 7 Drawing Sheets



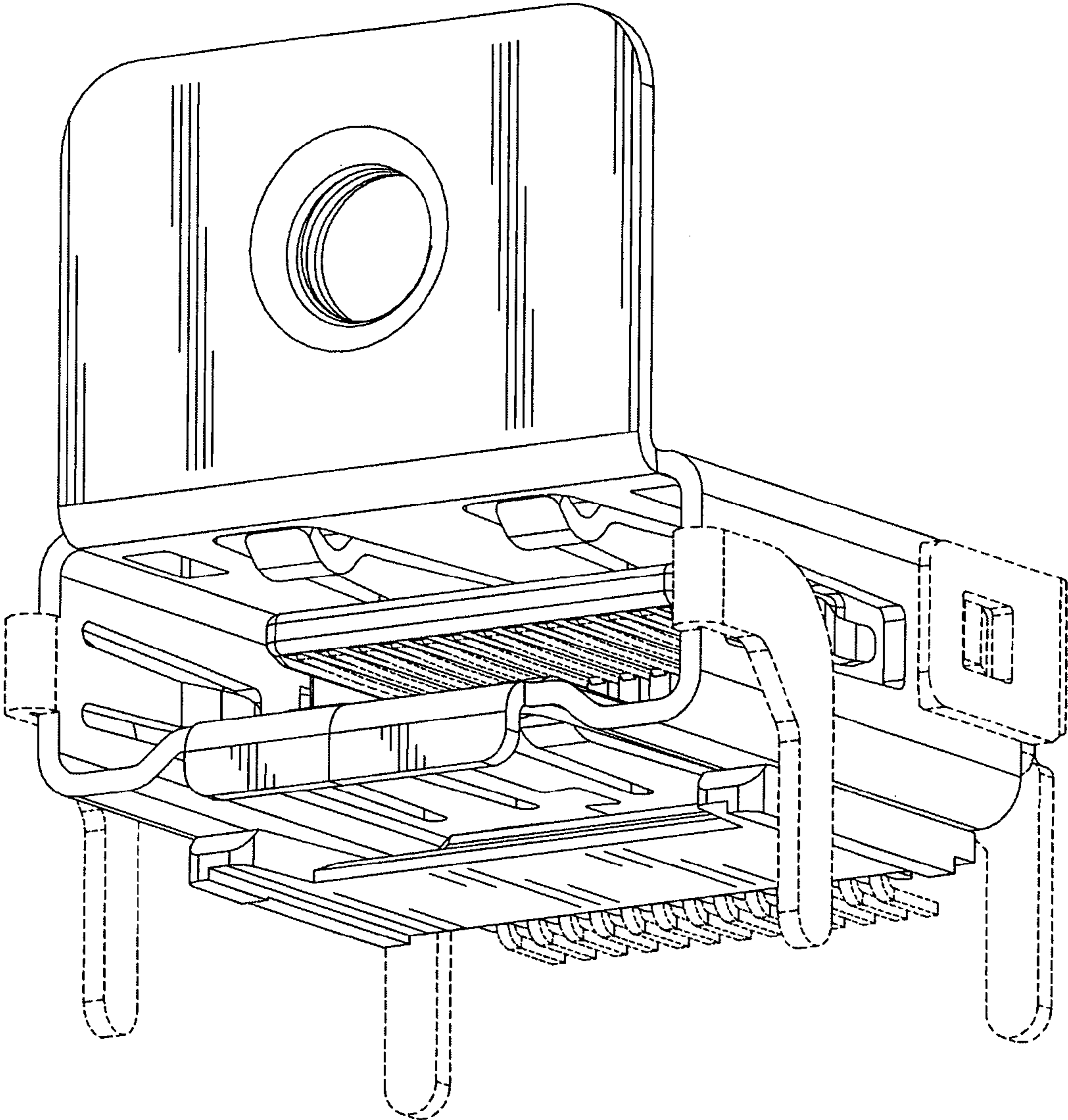


FIG. 1

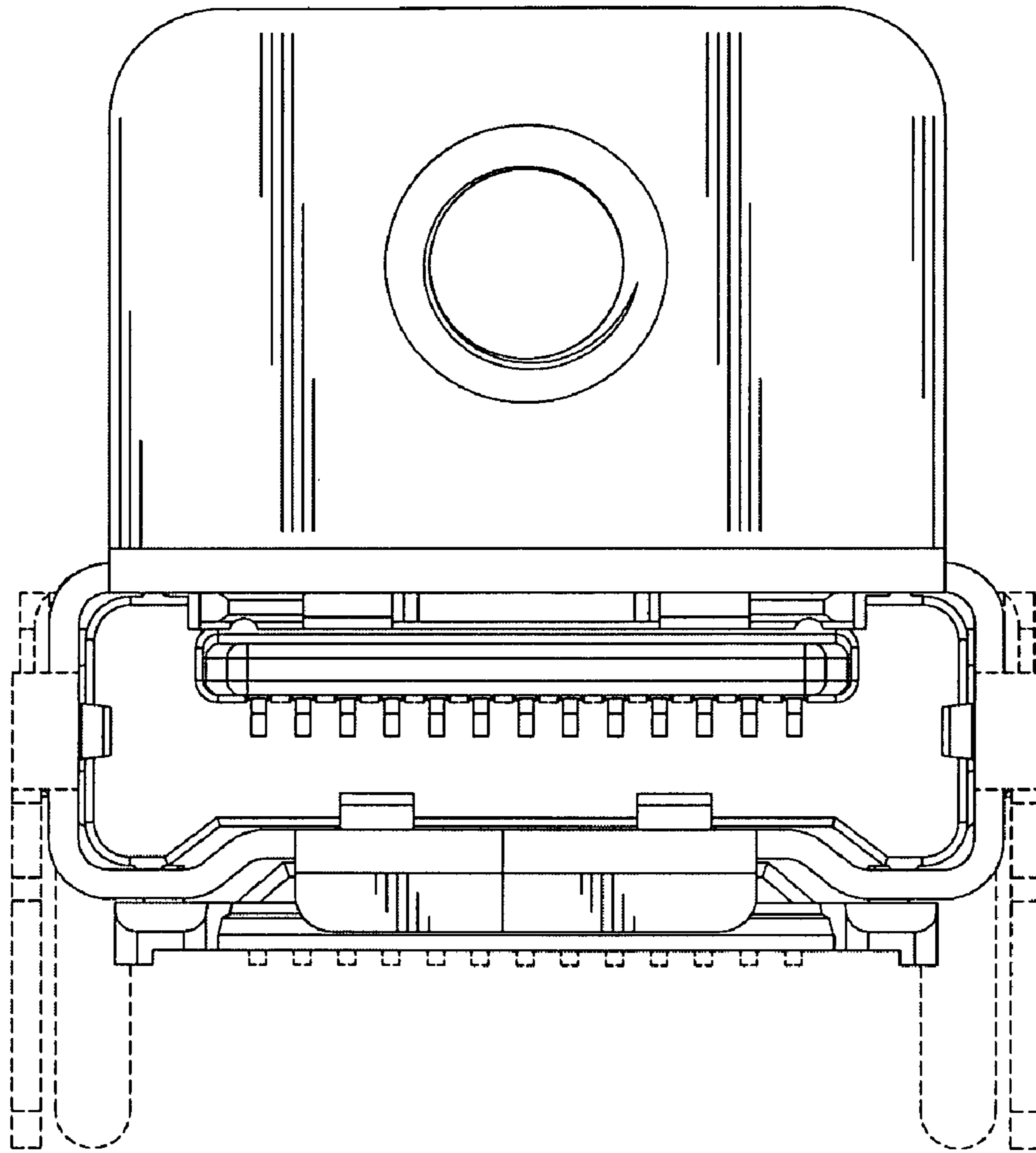


FIG. 2

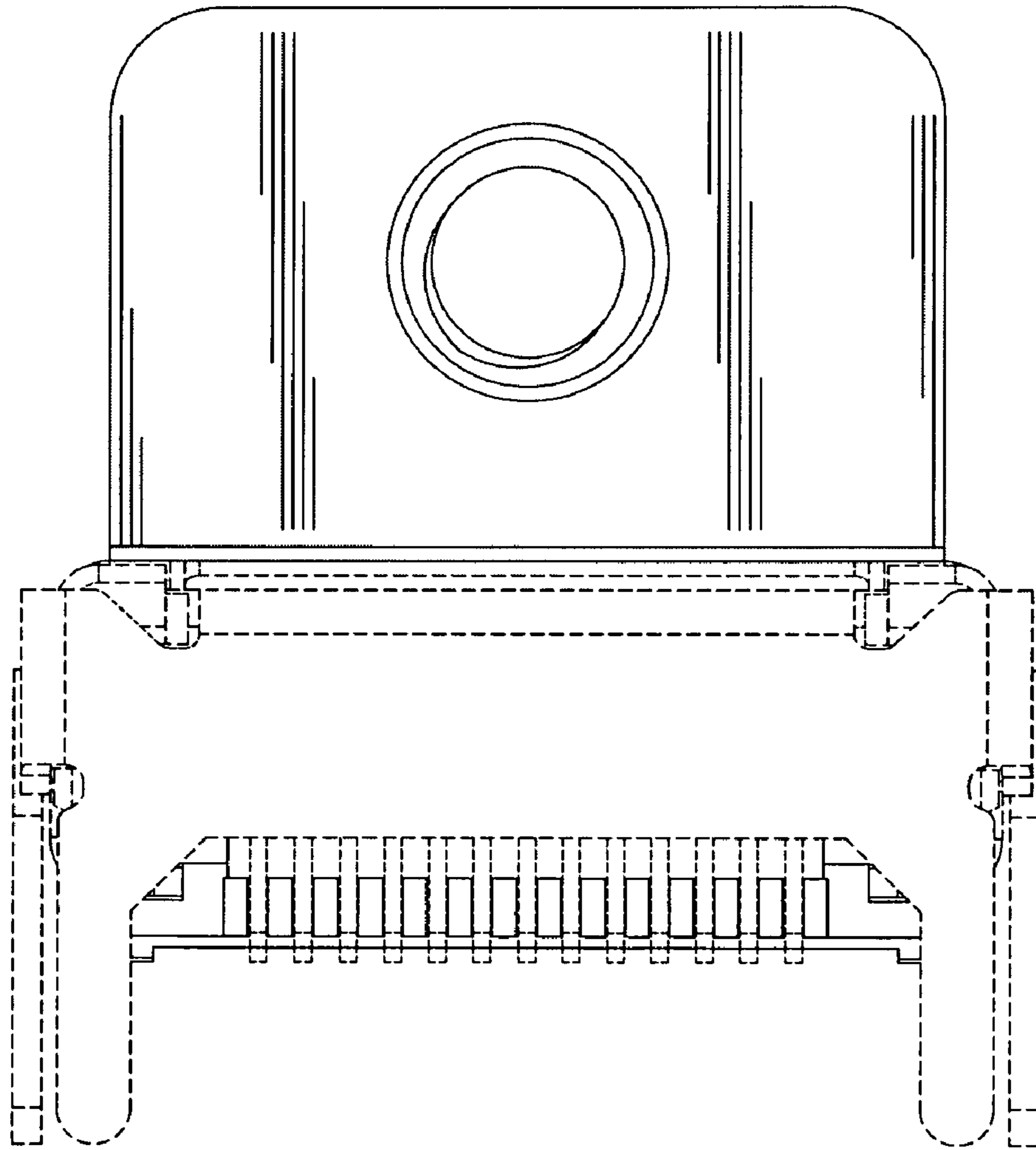


FIG. 3

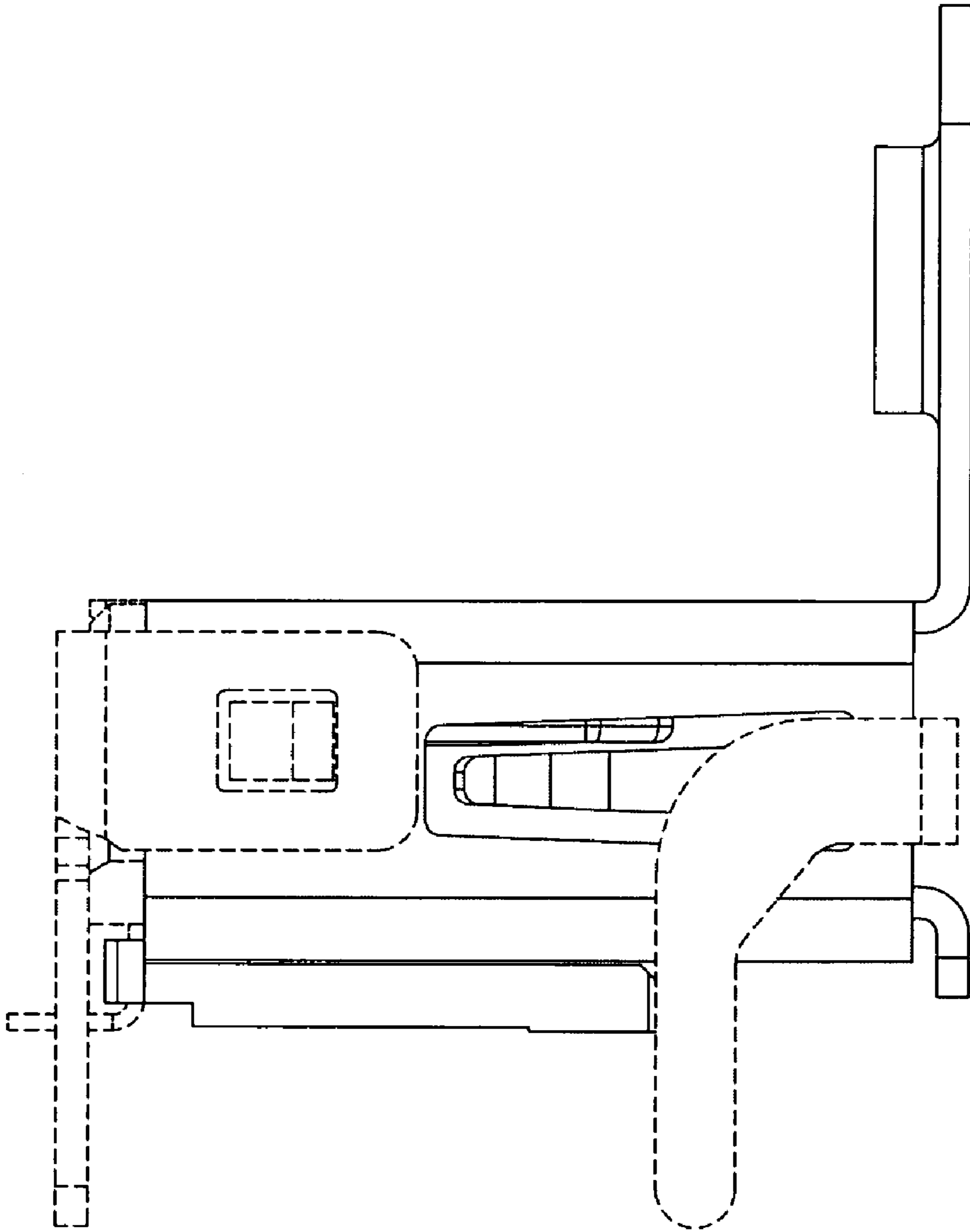


FIG. 4

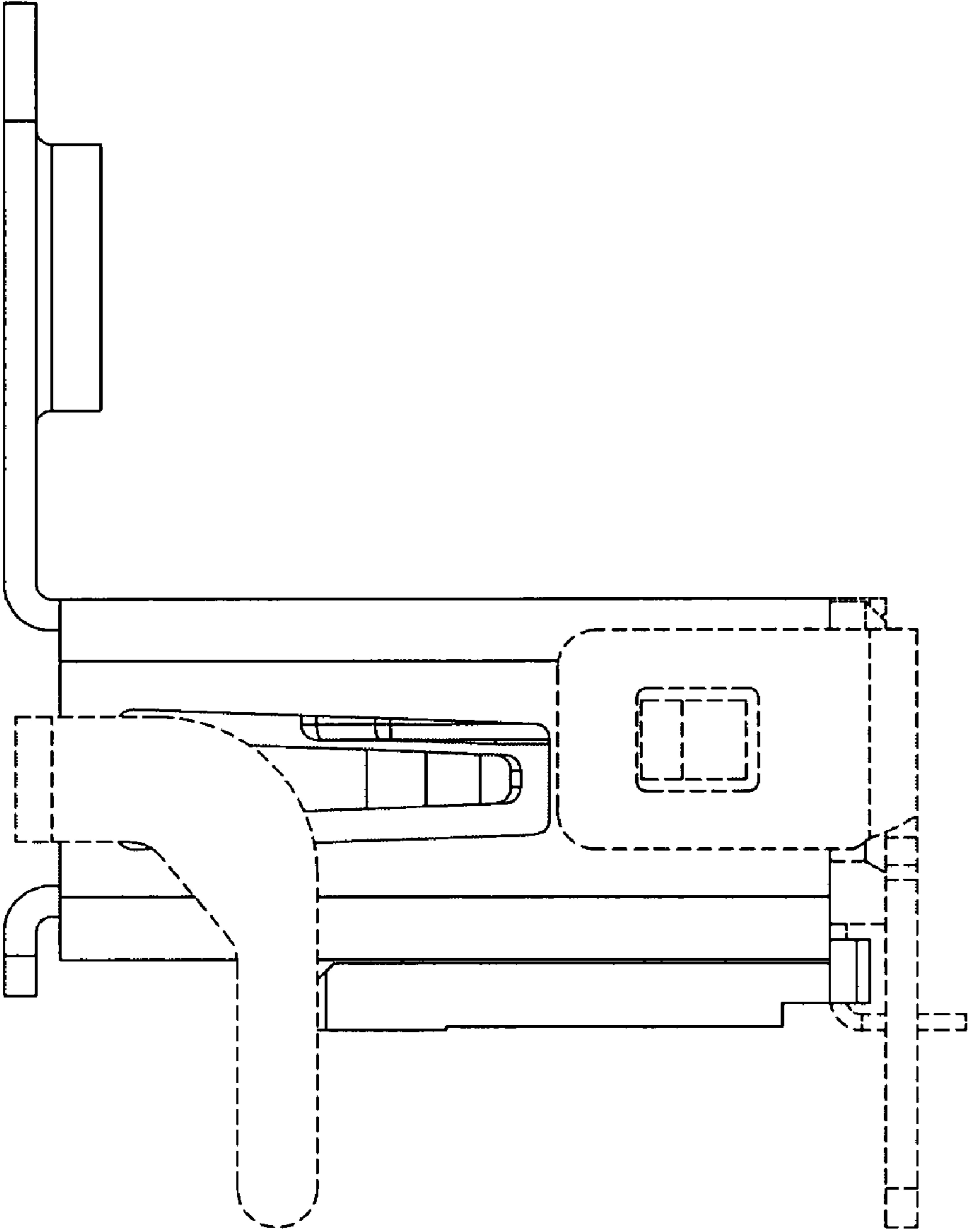


FIG. 5

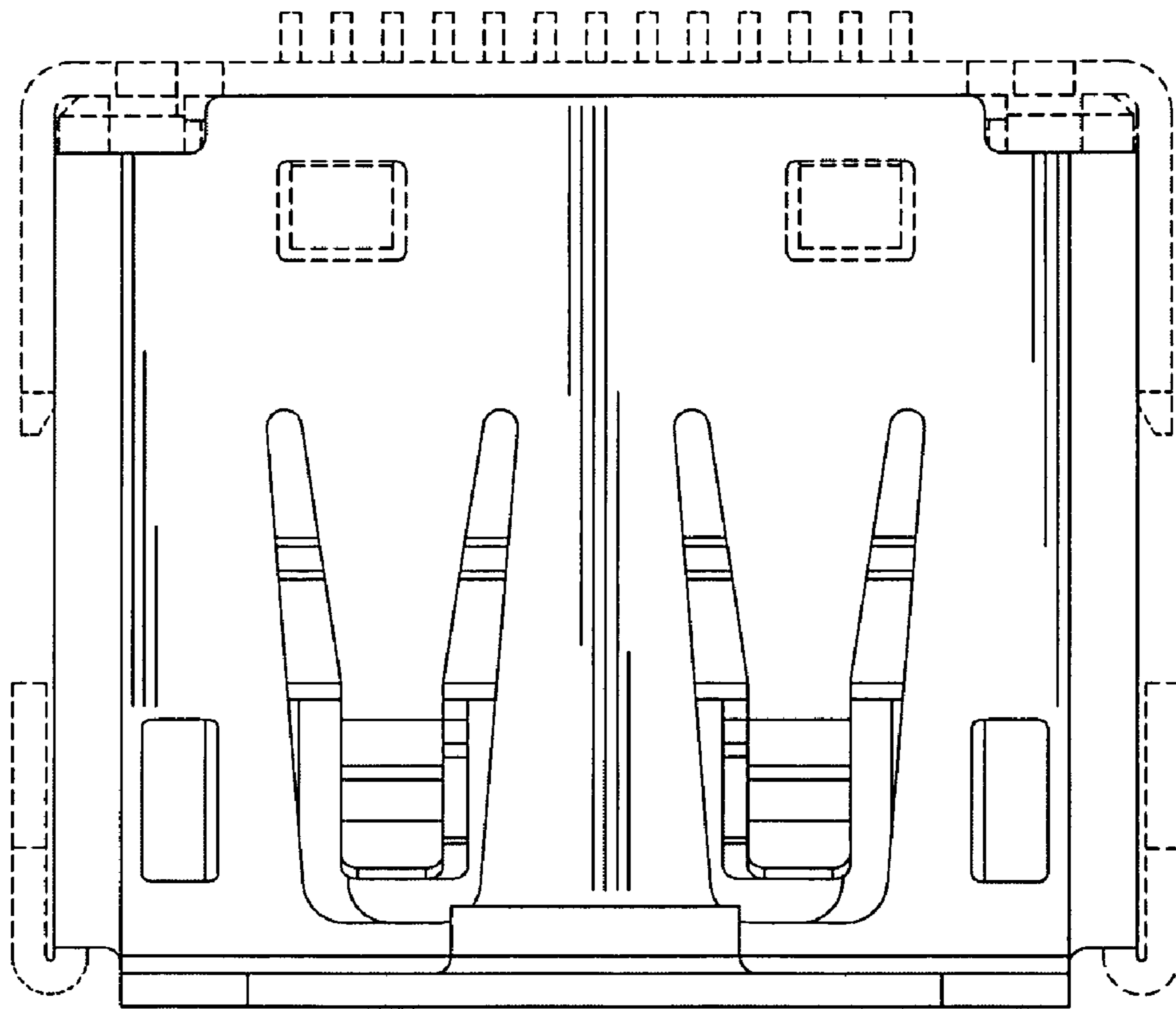


FIG. 6

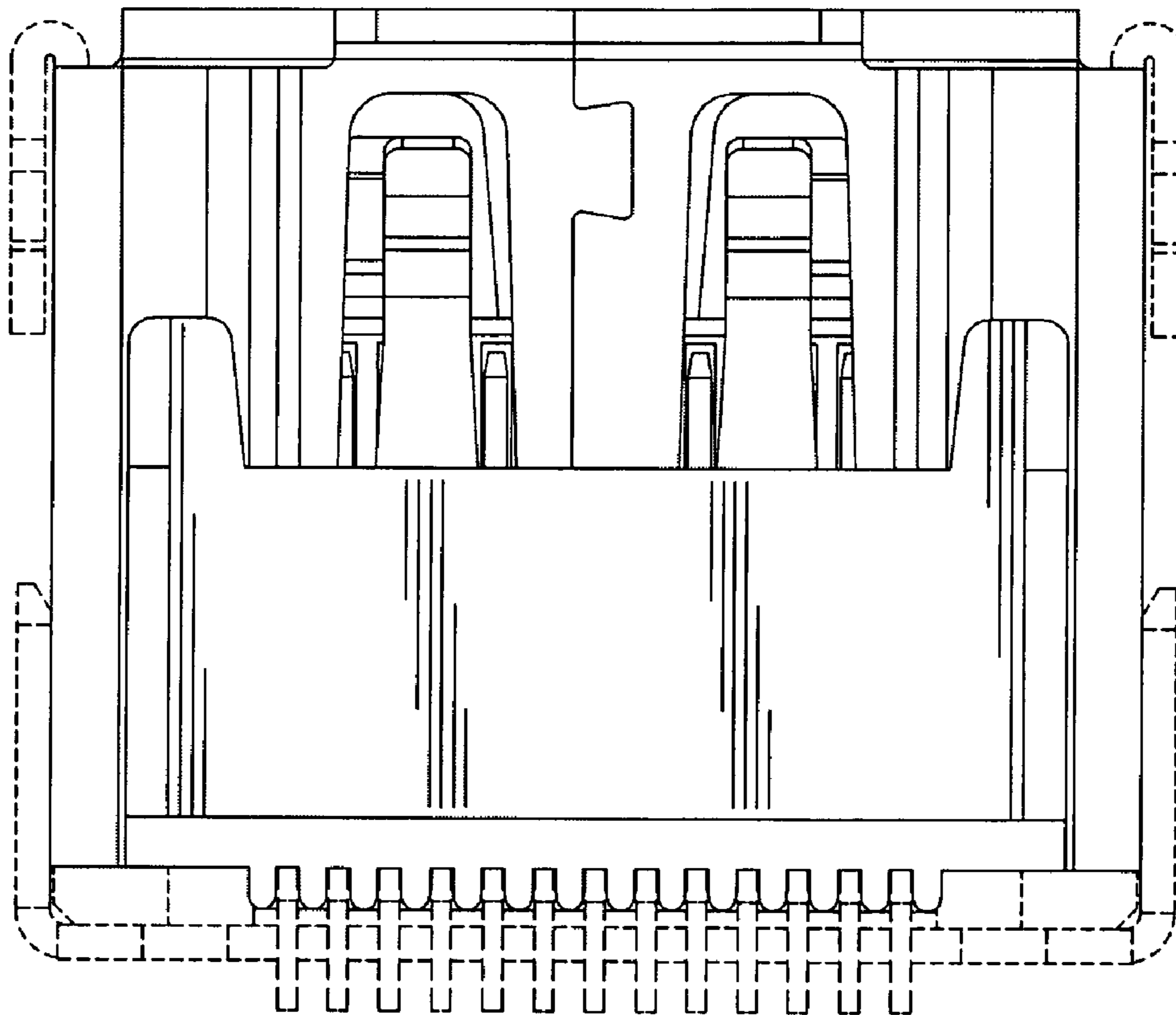


FIG. 7