



US00D616828S

(12) **United States Design Patent**
Tung et al.

(10) **Patent No.:** **US D616,828 S**
(45) **Date of Patent:** **** Jun. 1, 2010**

(54) **ELECTRICAL CONNECTOR**

(75) Inventors: **Chang-Hsien Tung**, Tu-Cheng (TW);
Kuo-Chun Hsu, Tu-Cheng (TW);
Yu-Hua Mao, Kunshan (CN)
(73) Assignee: **Hon Hai Precision Ind. Co., Ltd**, Taipei
Hsien (TW)

(**) Term: **14 Years**
(21) Appl. No.: **29/345,608**
(22) Filed: **Oct. 20, 2009**

(30) **Foreign Application Priority Data**
Jul. 2, 2009 (CN) 2009 3 0308287

(51) **LOC (9) Cl.** **13-03**
(52) **U.S. Cl.** **D13/147; D13/154**
(58) **Field of Classification Search** D13/147,
D13/154, 184; 439/78-79, 108, 564, 573,
439/607-610, 650, 677, 660, 668, 680, 686,
439/892, 894
See application file for complete search history.

(56) **References Cited**
U.S. PATENT DOCUMENTS

D489,687 S * 5/2004 Kawase et al. D13/147
D505,920 S * 6/2005 Moritake D13/147
D517,489 S * 3/2006 Kawase et al. D13/147
D531,127 S * 10/2006 Zhong et al. D13/147

D552,553 S * 10/2007 Lin et al. D13/147
D575,236 S * 8/2008 Tago et al. D13/147
D577,680 S * 9/2008 Shen et al. D13/147
D578,070 S * 10/2008 Shen et al. D13/147
D585,830 S * 2/2009 Shen et al. D13/147
D587,208 S * 2/2009 Tsai et al. D13/147
D587,209 S * 2/2009 Tsai et al. D13/147
D601,505 S * 10/2009 Fukazawa et al. D13/147

* cited by examiner

Primary Examiner—Daniel D Bui
(74) *Attorney, Agent, or Firm*—Andrew C. Cheng; Wei Te
Chung; Ming Chieh Chang

(57) **CLAIM**

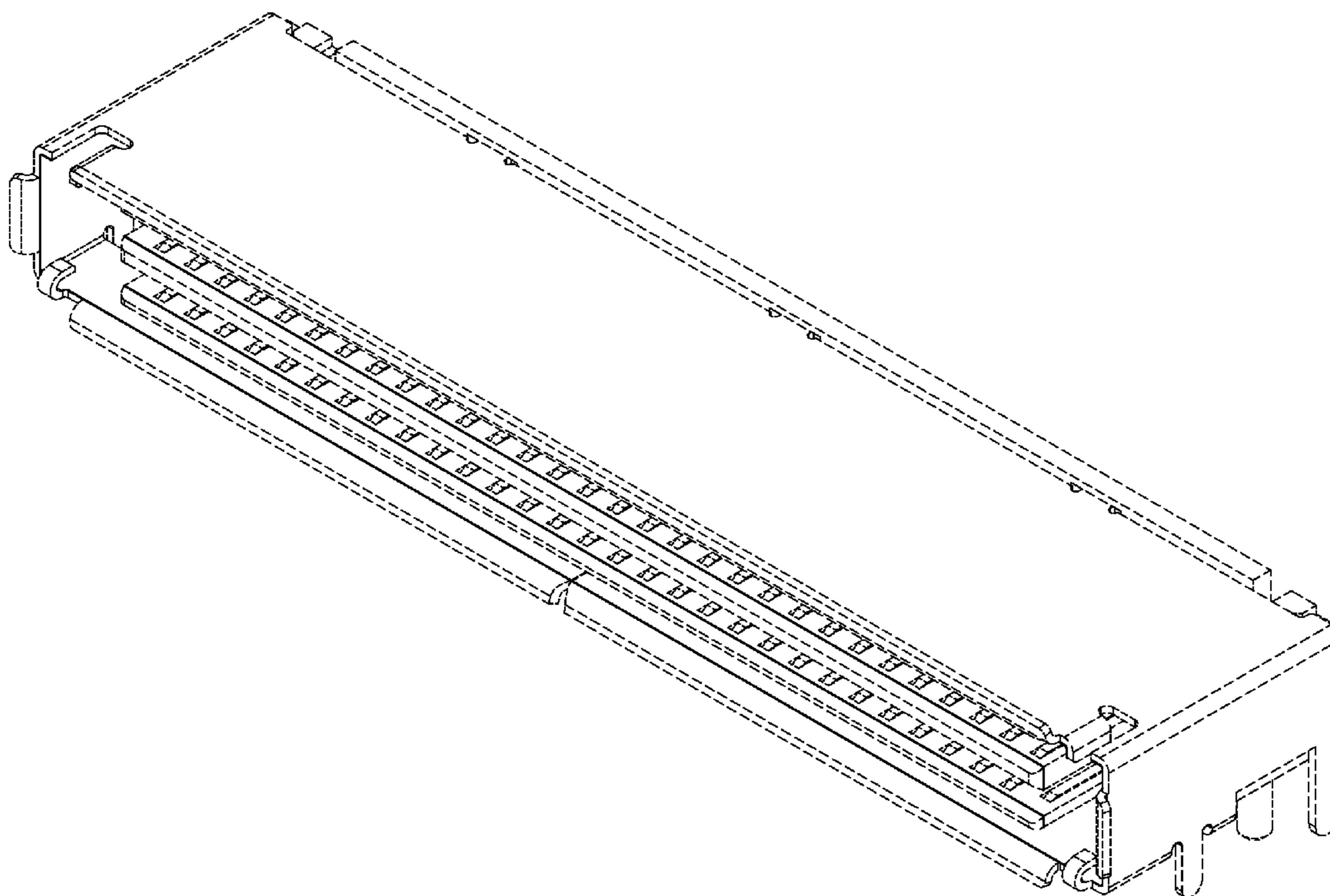
The ornamental design for an electrical connector, as shown
and described.

DESCRIPTION

FIG. 1 is a front, top and right side perspective view of an
electrical connector showing our new design;
FIG. 2 is a front elevational view thereof;
FIG. 3 is a rear elevational view thereof;
FIG. 4 is a left side elevational view thereof;
FIG. 5 is a right side elevational view thereof; and,
FIG. 6 is a top plan view thereof.

The broken line portion in the drawing views is included to
show unclaimed subject matter only and forms no part of the
claimed design.

1 Claim, 6 Drawing Sheets



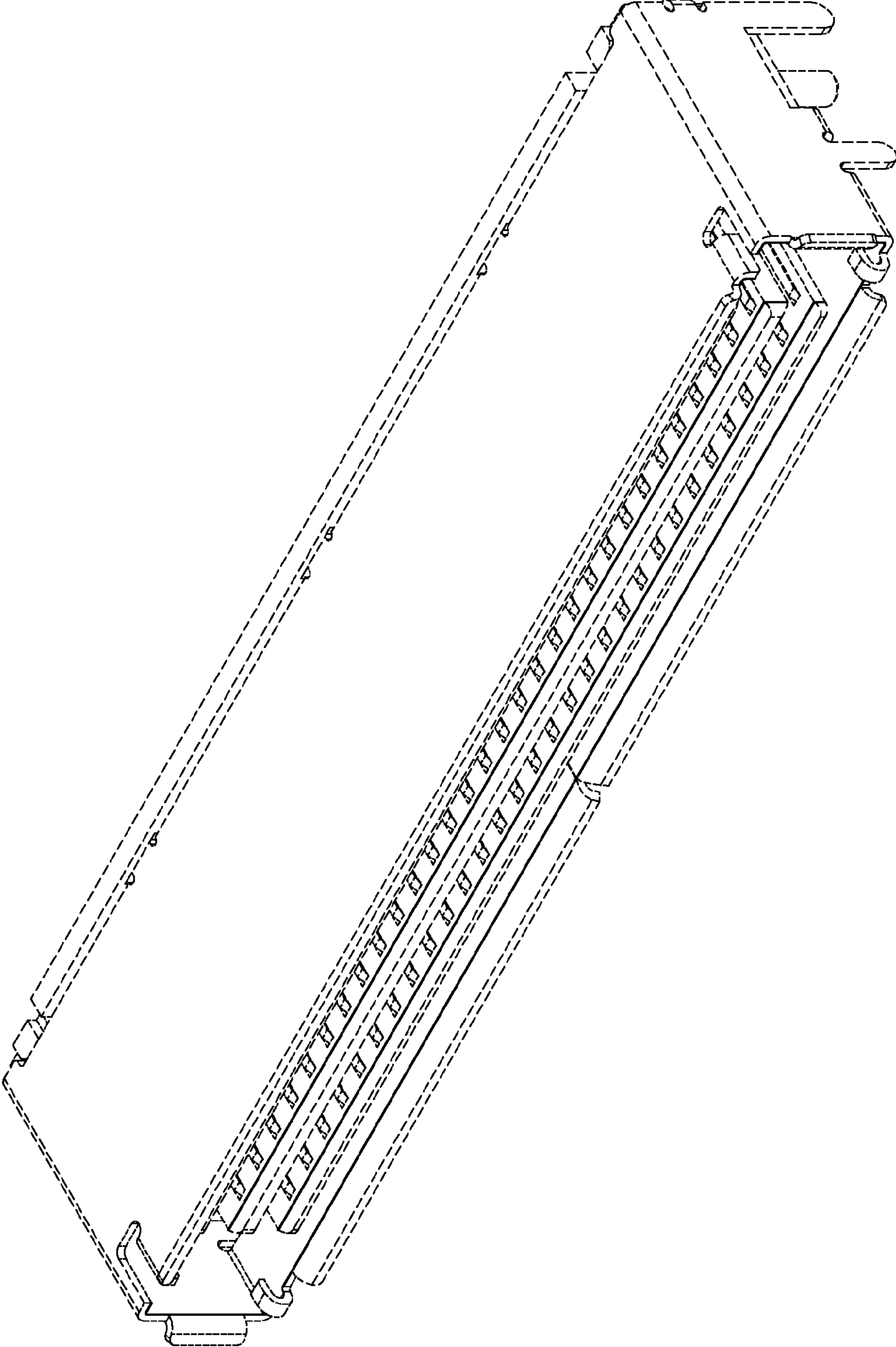


FIG. 1

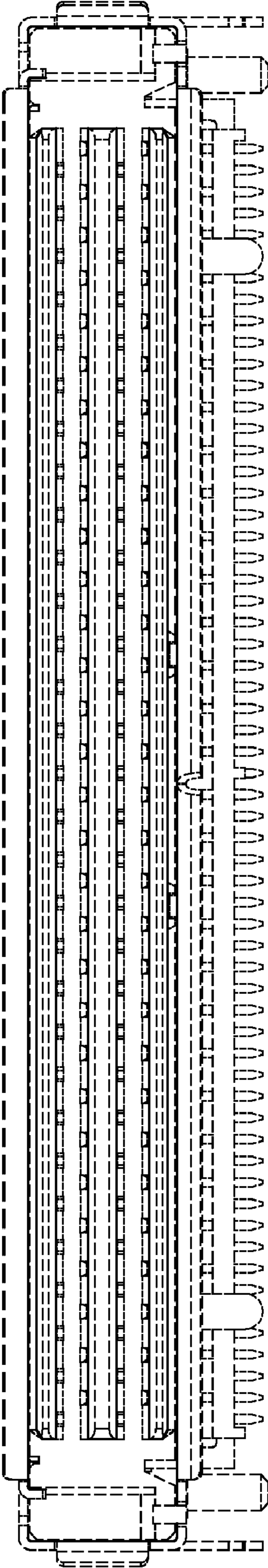


FIG. 2

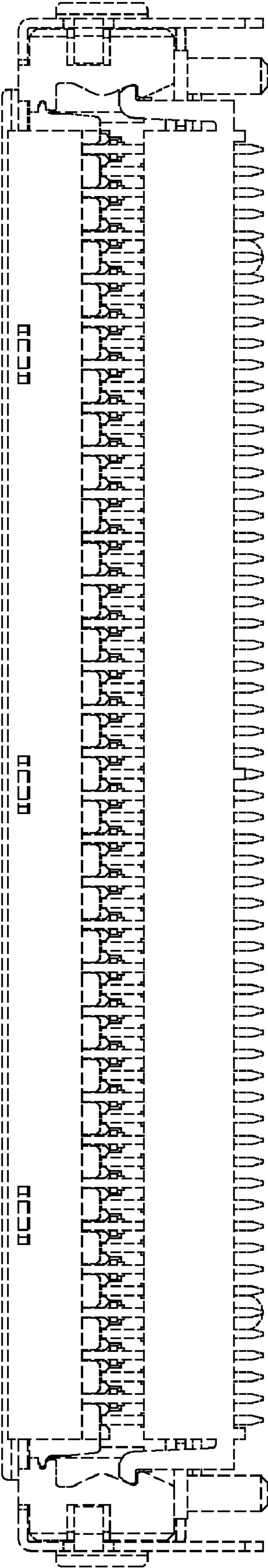


FIG. 3

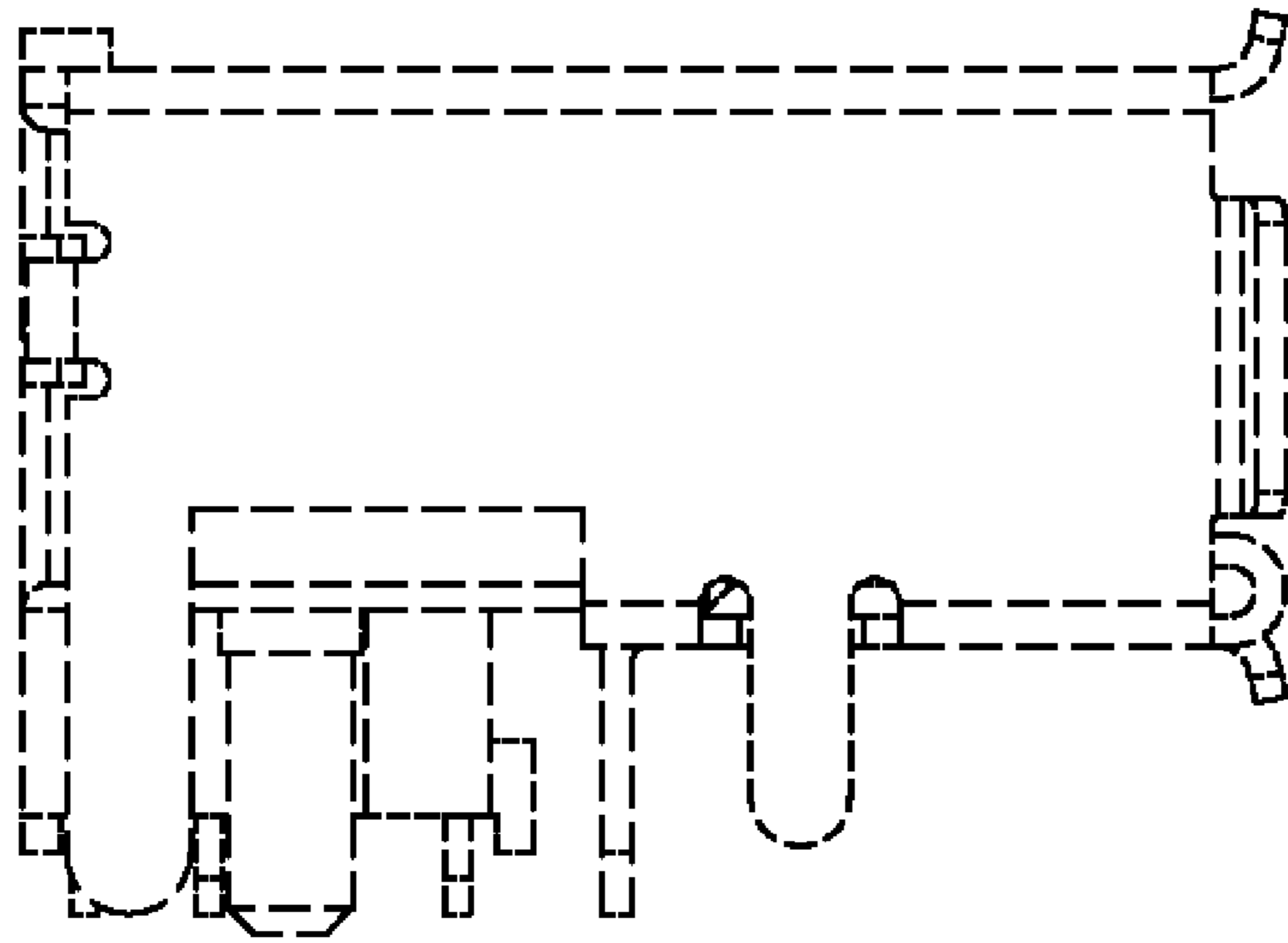


FIG. 4

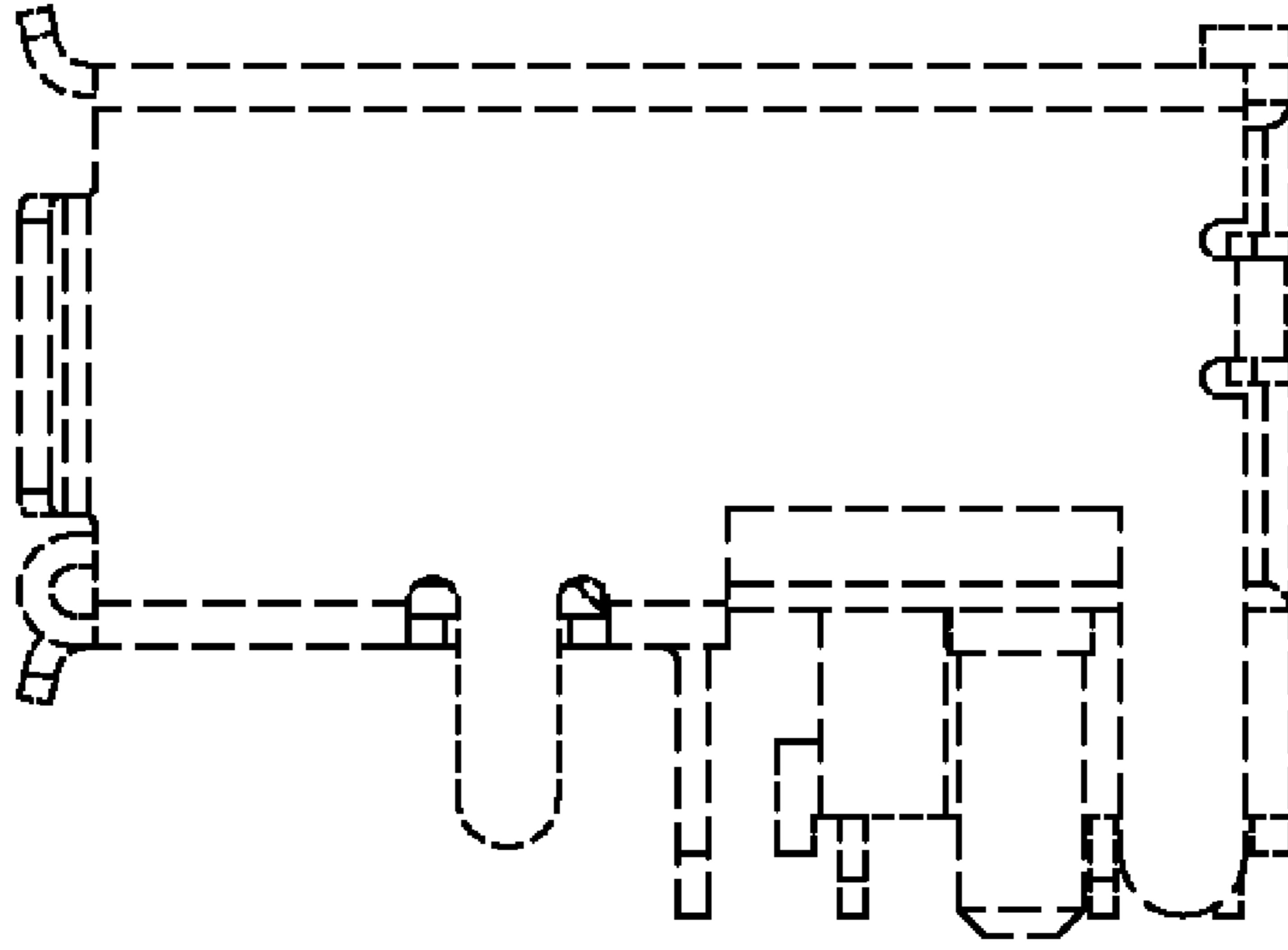


FIG. 5

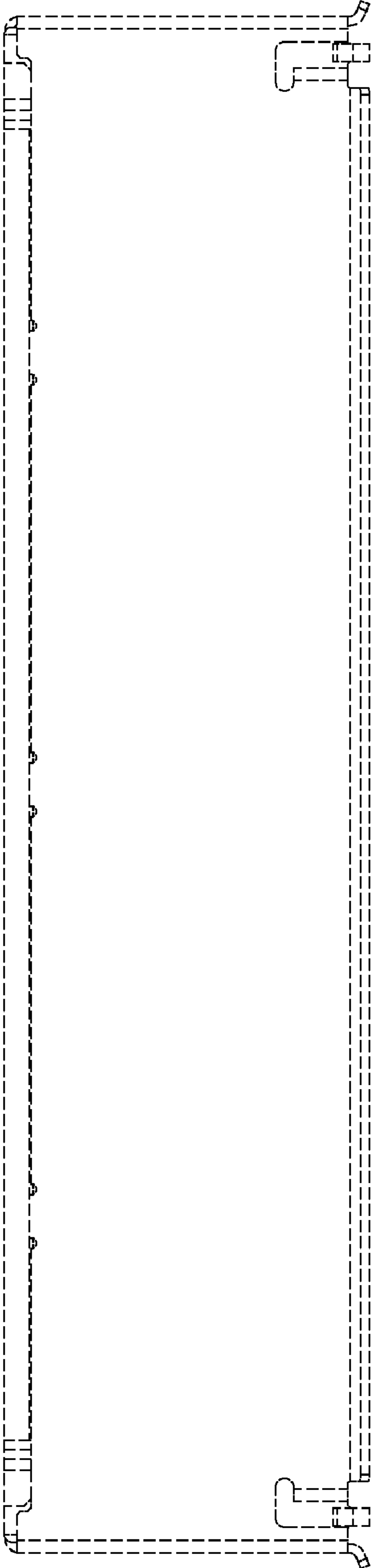


FIG. 6