



US00D616827S

(12) **United States Design Patent**
Ngo et al.

(10) **Patent No.:** **US D616,827 S**
(45) **Date of Patent:** **** Jun. 1, 2010**

(54) **ELECTRICAL CONNECTOR**

(75) Inventors: **Hung Viet Ngo**, Harrisburg, PA (US);
John David Dodds, Harrisburg, PA (US)

(73) Assignee: **FCI Americas Technology, Inc.**, Carson
City, NV (US)

(**) Term: **14 Years**

(21) Appl. No.: **29/331,731**

(22) Filed: **Jan. 30, 2009**

(51) **LOC (9) Cl.** **13-03**

(52) **U.S. Cl.** **D13/147**

(58) **Field of Classification Search** D13/133,
D13/146-147, 154, 184; 439/108, 607-610,
439/540.1, 541.5

See application file for complete search history.

(56) **References Cited**

U.S. PATENT DOCUMENTS

5,059,142	A *	10/1991	Ohta et al.	439/752
D418,417	S	1/2000	Hollinger		
6,126,475	A	10/2000	Matsuura et al.		
6,431,886	B1	8/2002	Ramey et al.		
D465,204	S	11/2002	Shi et al.		
D465,765	S	11/2002	Zhang et al.		
D465,769	S	11/2002	Zhang et al.		
D466,084	S	11/2002	Zhang et al.		
6,716,045	B2	4/2004	Meredith		
D499,381	S	12/2004	Hu et al.		
D517,487	S *	3/2006	Riku	D13/147
D517,992	S *	3/2006	Riku	D13/147

OTHER PUBLICATIONS

Keying Hardware and Applications, Product Line Information for
Accessories (AMP-HDI- and TBC), Tyco Electronics, 2006, 1 page.
AMP-HDI Hybrid Connectors, Product Line Information for AMP-
HDI Hybrid Connectors and Contacts, Tyco Electronics, 2006, 3
pages.

Power Hardware and Applications (for Three and Four-Row Connec-
tors Only), Product Line Information for Accessories (AMP-HDI and
TBC), Tyco Electronics, 2006, 2 pages.

Guidance Hardware and Applications, Product Line Information for
Accessories (AMP-HDI and TBC), Tyco Electronics, 2006, Tyco
Electronics, 2006, 2 pages.

Universal Power Module, Product Line Information for Universal
Power Module (for use with Z-Pack 2mm HM, Z-Pack HS3, Z-Pack
HM Zd and Multi GIG RT2J), 2006, 2 pages.

Engineer Drawings, 7.2 Guide Module, Right Angle, Aug. 3, 2004, 2
pages.

Engineer Drawings, 7.2 Guide Module, Right Angle, Aug. 3, 2004, 2
pages.

* cited by examiner

Primary Examiner—Daniel D Bui

(74) *Attorney, Agent, or Firm*—Woodcock Washburn LLP

(57) **CLAIM**

The ornamental design for an electrical connector, as shown
and described.

DESCRIPTION

FIG. 1 is a top, right, front perspective view of an electrical
connector according to our design;

FIG. 2 is a right side elevation view thereof;

FIG. 3 is a left side elevation view thereof;

FIG. 4 is a top plan view thereof;

FIG. 5 is a bottom plan view thereof;

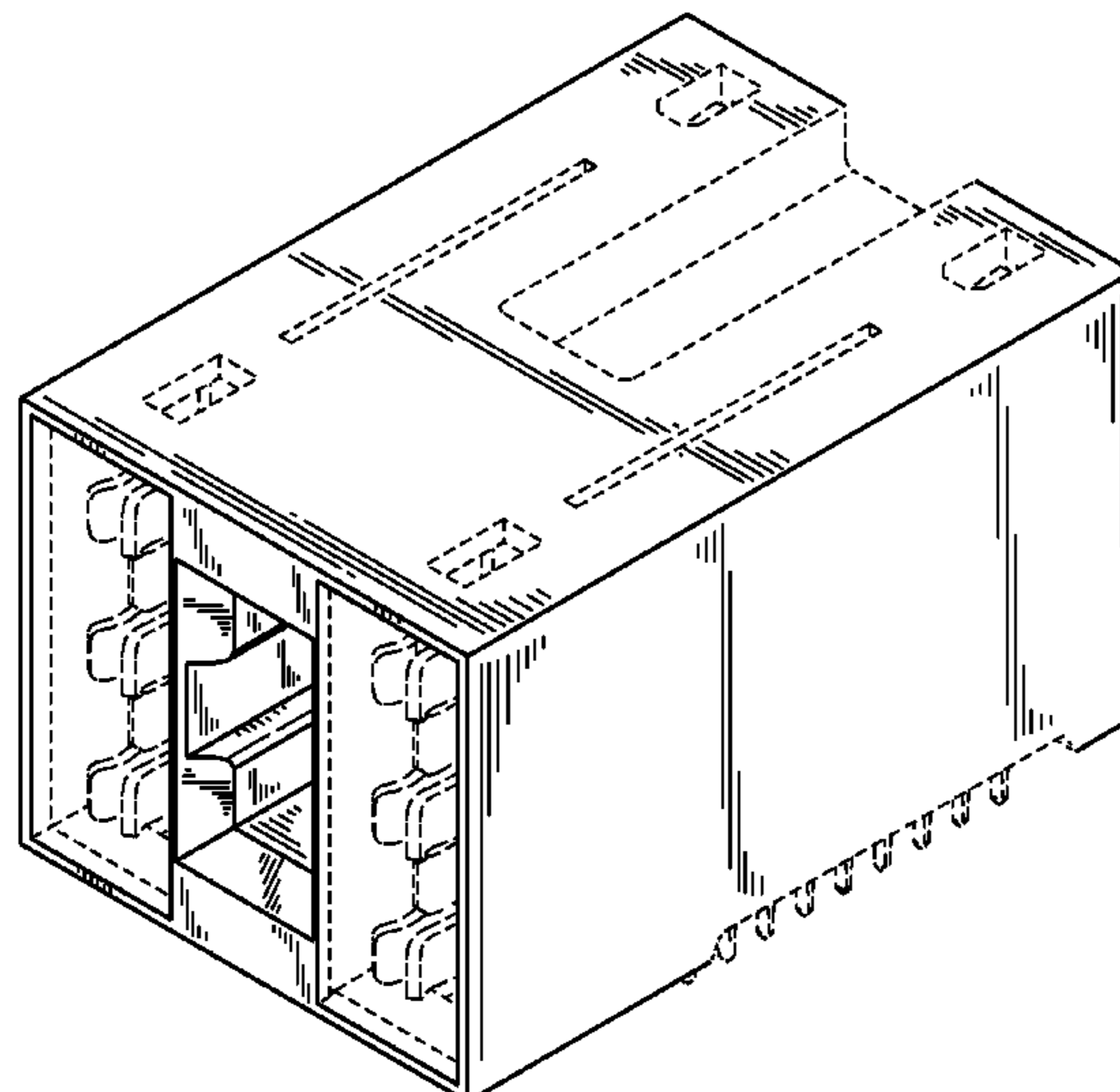
FIG. 6 is a front elevation view thereof; and,

FIG. 7 is a rear elevation view thereof.

The broken line portion of the figure drawings is included to
show unclaimed subject matter only and forms no part of the
claimed design.

In a preferred embodiment, the nature of this product is an
electrical connector in the form of an electrical connector
housing configured for retaining a plurality of electrical con-
tacts.

1 Claim, 5 Drawing Sheets



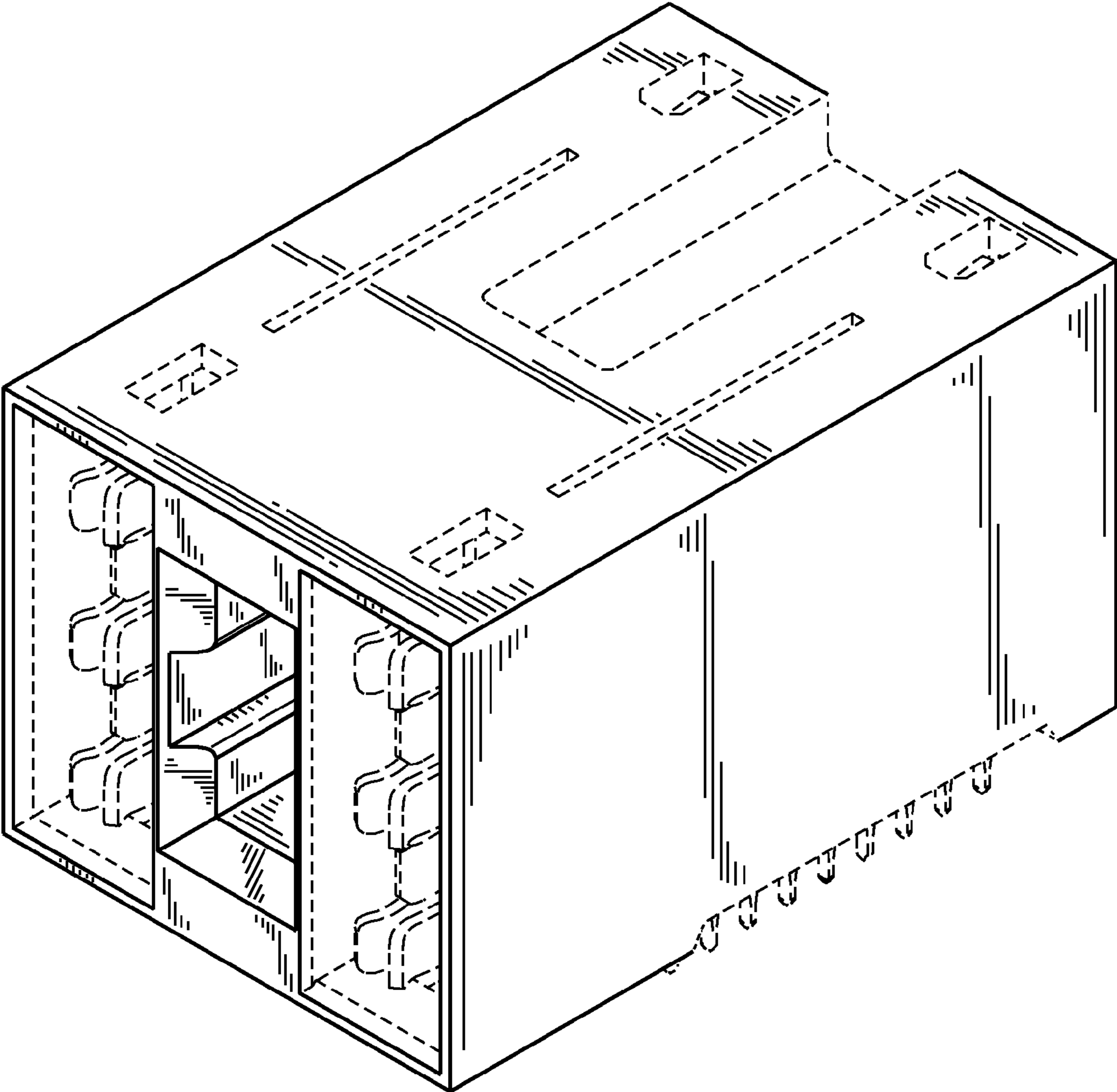
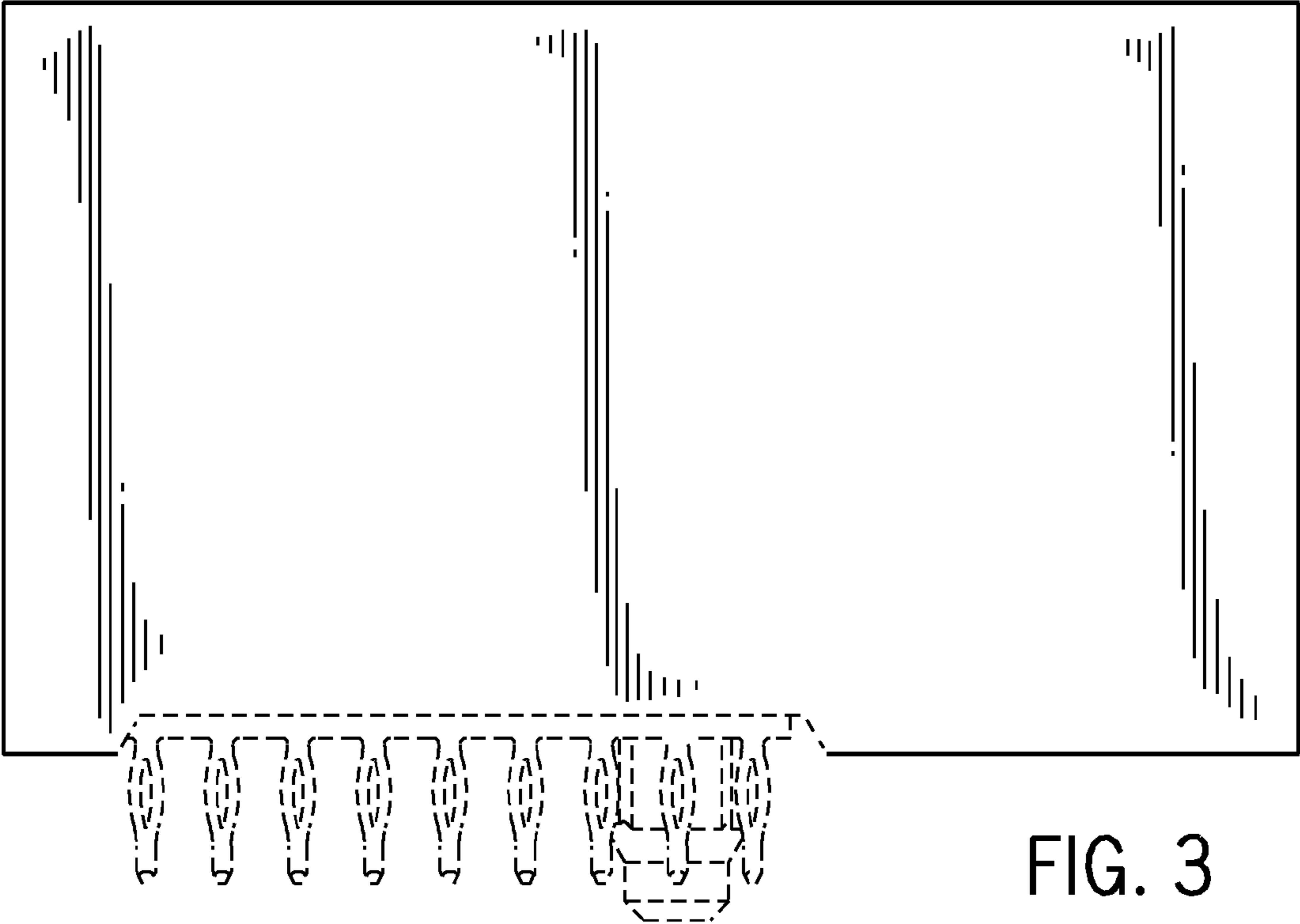
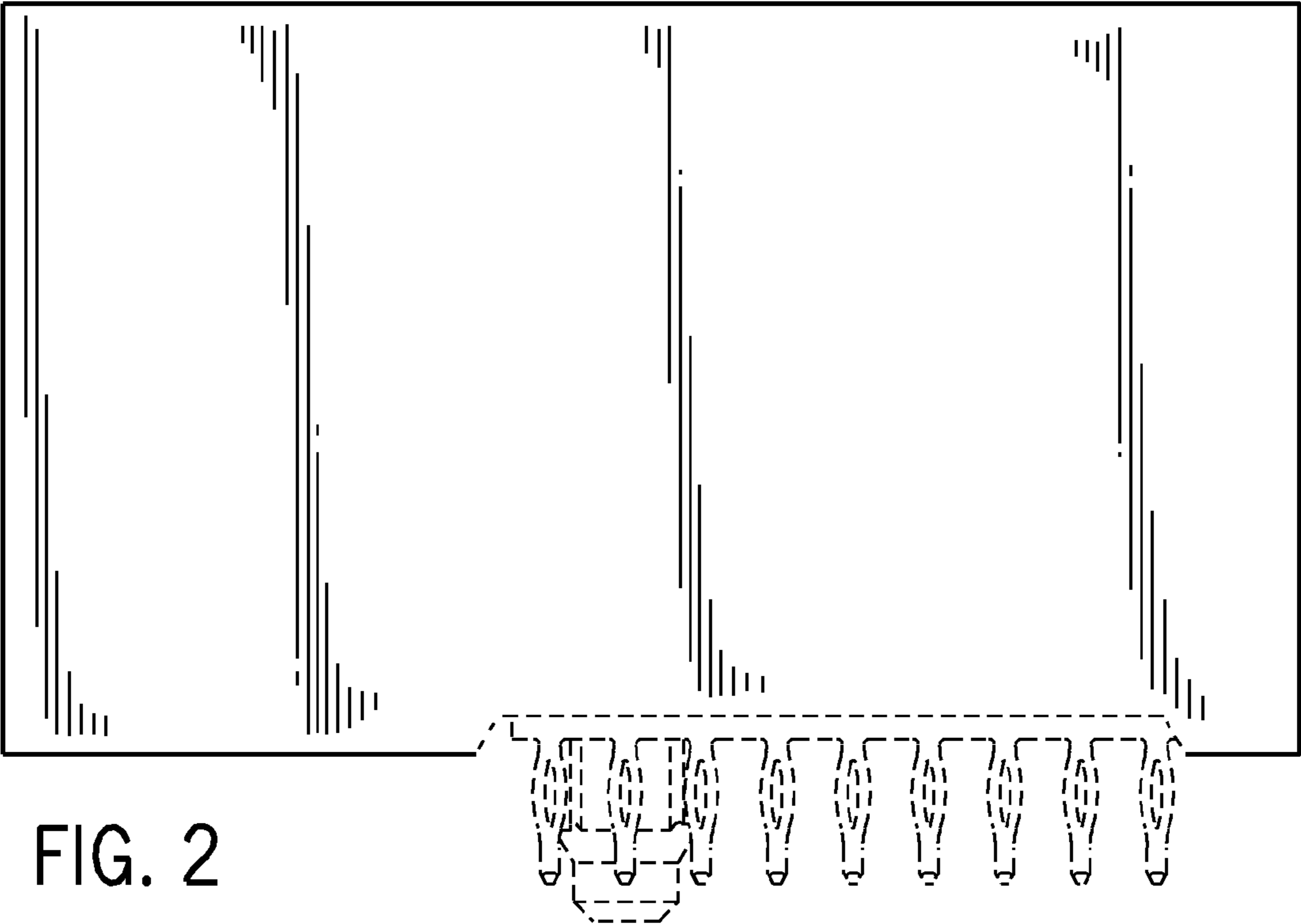


FIG. 1



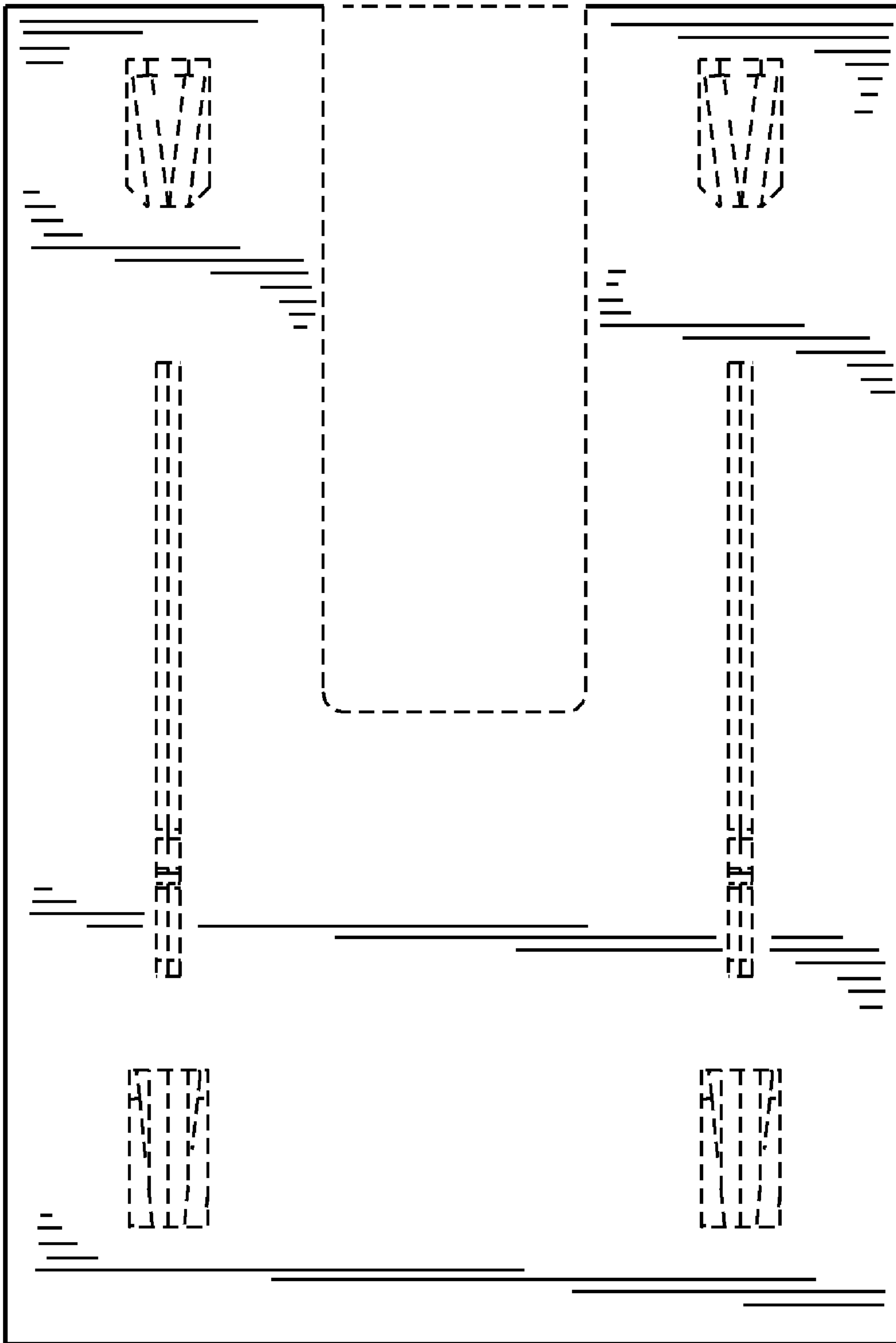


FIG. 4

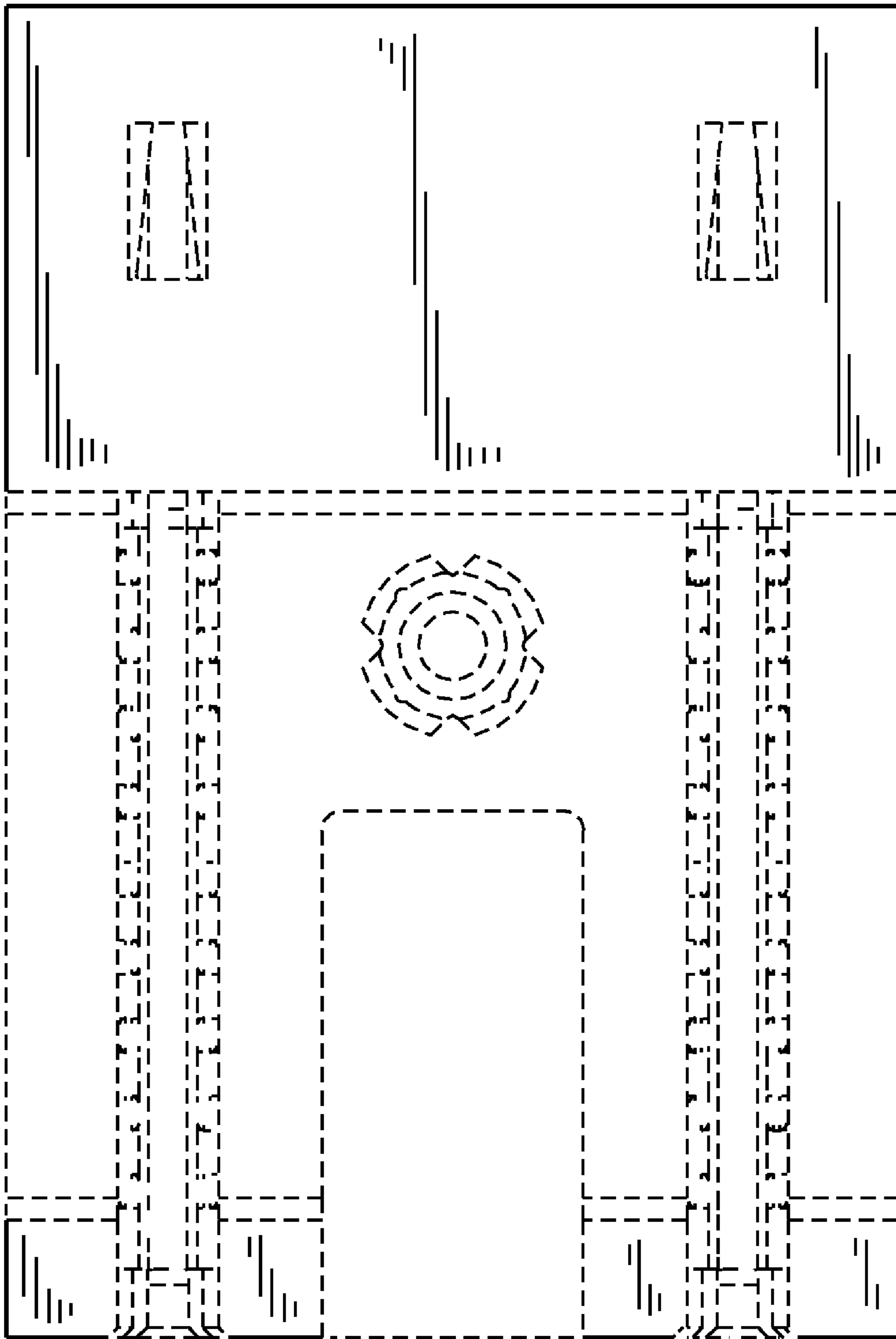


FIG. 5

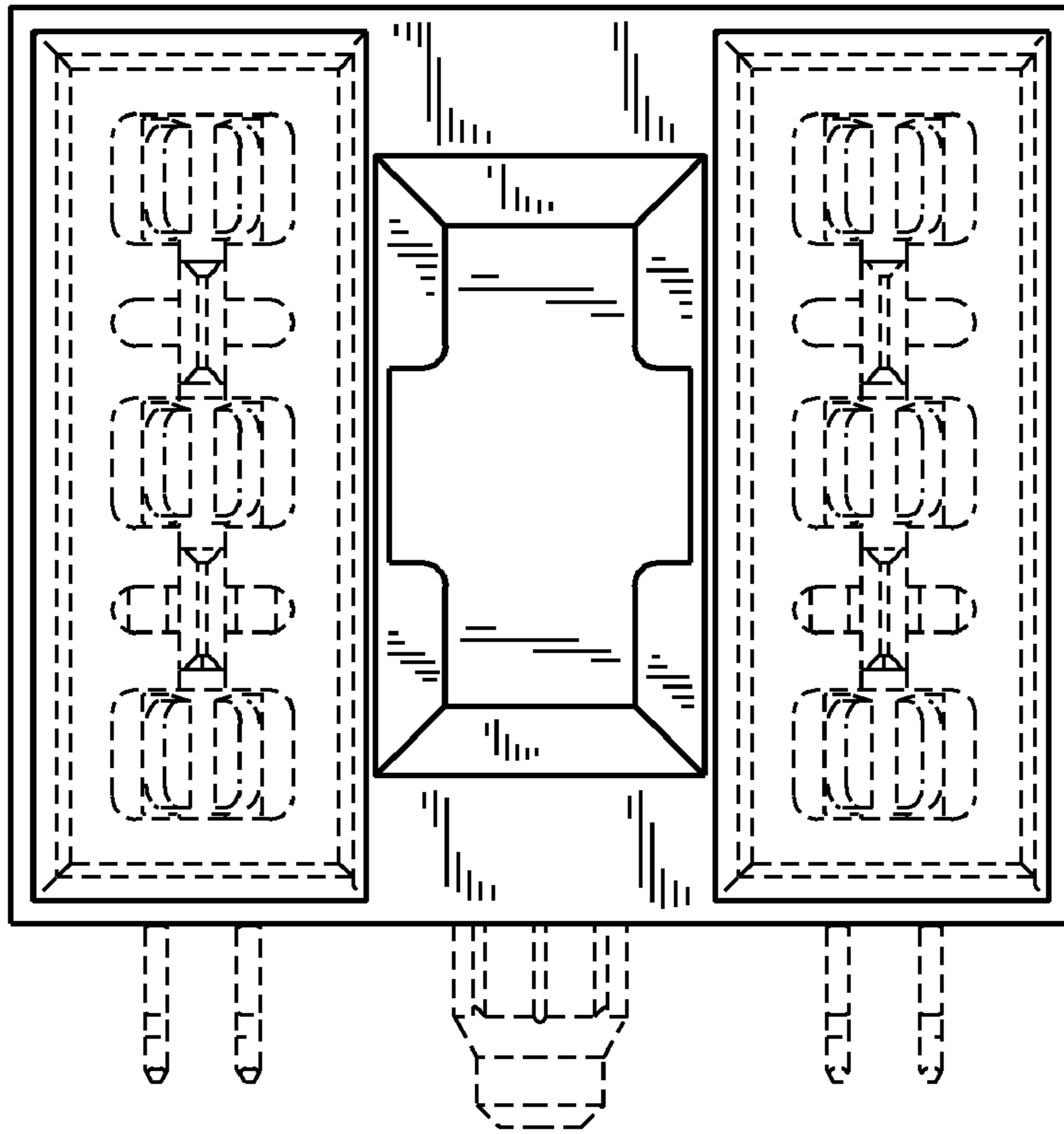


FIG. 6

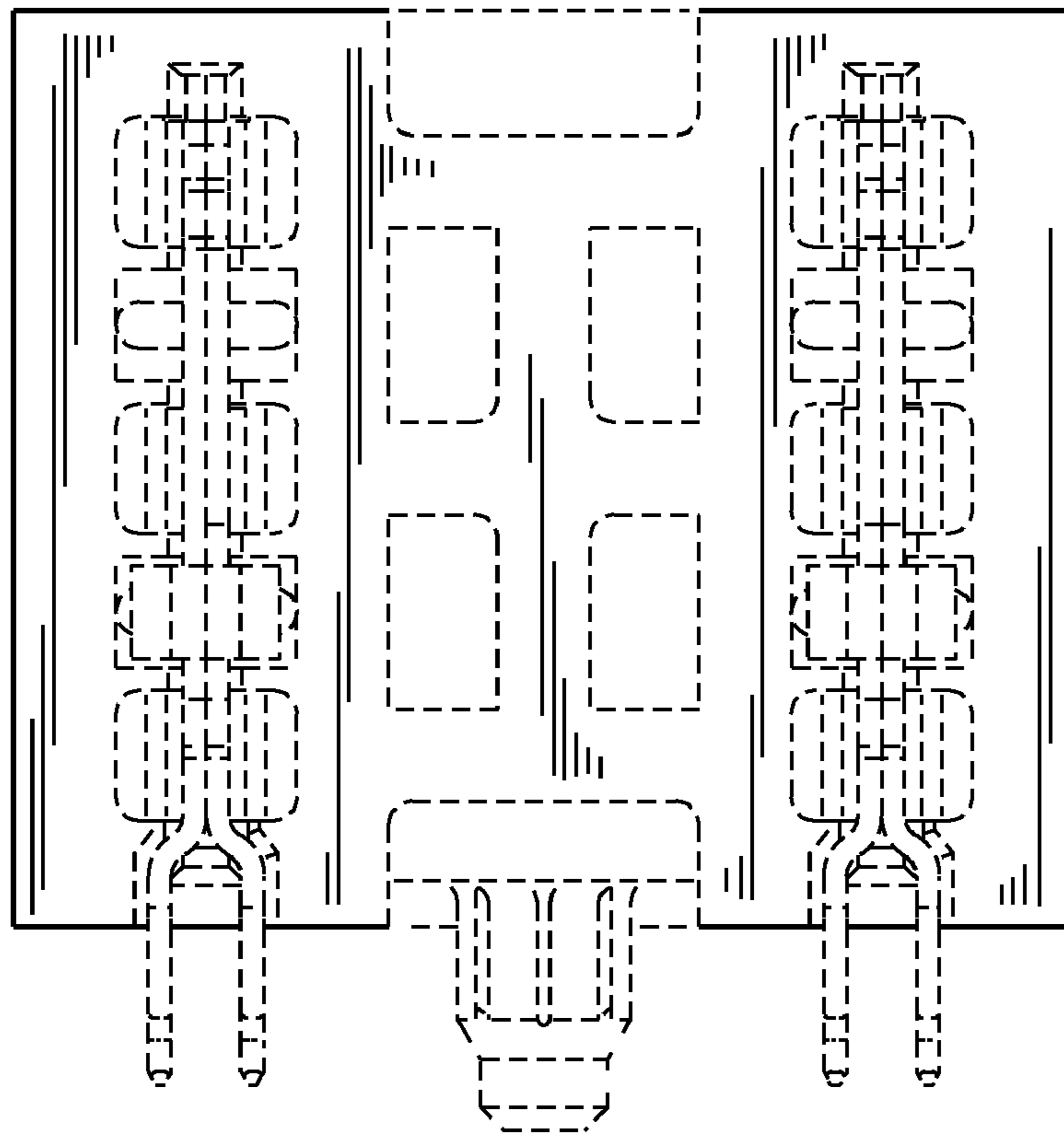


FIG. 7