



US00D616825S

(12) **United States Design Patent**
Nania et al.

(10) **Patent No.:** **US D616,825 S**
(45) **Date of Patent:** **** Jun. 1, 2010**

- (54) **ELECTRICAL CONNECTOR**
- (75) Inventors: **Francesco A. Nania**, Clinton, MA (US);
Christopher Coughlan, Hudson, MA
(US); **Arnold S. Feinberg**, Stoughton,
MA (US); **Thomas H. Kannally, Jr.**,
Northborough, MA (US); **Vadim L.**
Radunsky, Framingham, MA (US)
- (73) Assignee: **Hypertronics Corporation**, Hudson,
MA (US)
- (**) Term: **14 Years**
- (21) Appl. No.: **29/311,759**
- (22) Filed: **Jun. 15, 2009**

4,472,012 A	9/1984	Michaels
4,614,029 A	9/1986	Neumann et al.
4,647,127 A	3/1987	Weingartner
4,657,327 A	4/1987	Weingartner
4,685,758 A	8/1987	Yoshida
4,708,662 A	11/1987	Klein
4,726,788 A	2/1988	F'Geppert
4,762,389 A	8/1988	Kaihara
4,770,443 A	9/1988	Yamamoto
D300,425 S	3/1989	Sumita
4,812,136 A	3/1989	Molitor
4,820,204 A	4/1989	Batty
4,834,678 A	5/1989	Emadi et al.
4,891,021 A	1/1990	Hayes et al.
4,915,421 A	4/1990	Dennany Jr.
4,936,662 A	6/1990	Griffin
4,938,718 A	7/1990	Guendel
5,042,891 A	8/1991	Mulholland et al.

Related U.S. Application Data

(62) Division of application No. 29/194,315, filed on Nov. 21, 2003, now Pat. No. Des. 596,127.

- (51) **LOC (9) Cl.** **13-03**
- (52) **U.S. Cl.** **D13/147; D13/133; D13/154**
- (58) **Field of Classification Search** **D13/123,**
D13/133, 146-147, 151, 154, 184, 199;
D26/4; 174/88 C; 439/277, 359, 362, 372
See application file for complete search history.

(56) **References Cited**

U.S. PATENT DOCUMENTS

2,410,618 A	11/1946	Zelov
3,287,031 A	11/1966	Simmons et al.
D225,740 S	1/1973	Thompson
3,810,073 A	5/1974	Zajac et al.
4,155,619 A	5/1979	Bray et al.
4,191,443 A	3/1980	Doyle
4,229,064 A	10/1980	Vetter et al.
4,268,115 A	5/1981	Slemon et al.
4,316,647 A	2/1982	Bailey et al.
4,330,166 A	5/1982	Cooper et al.
4,412,717 A	11/1983	Monroe
4,422,716 A	12/1983	Morimoto et al.
4,448,470 A	5/1984	Peterson

(Continued)

Primary Examiner—Daniel D Bui
(74) *Attorney, Agent, or Firm*—Finnegan, Henderson,
Farabow, Garrett & Dunner, LLP

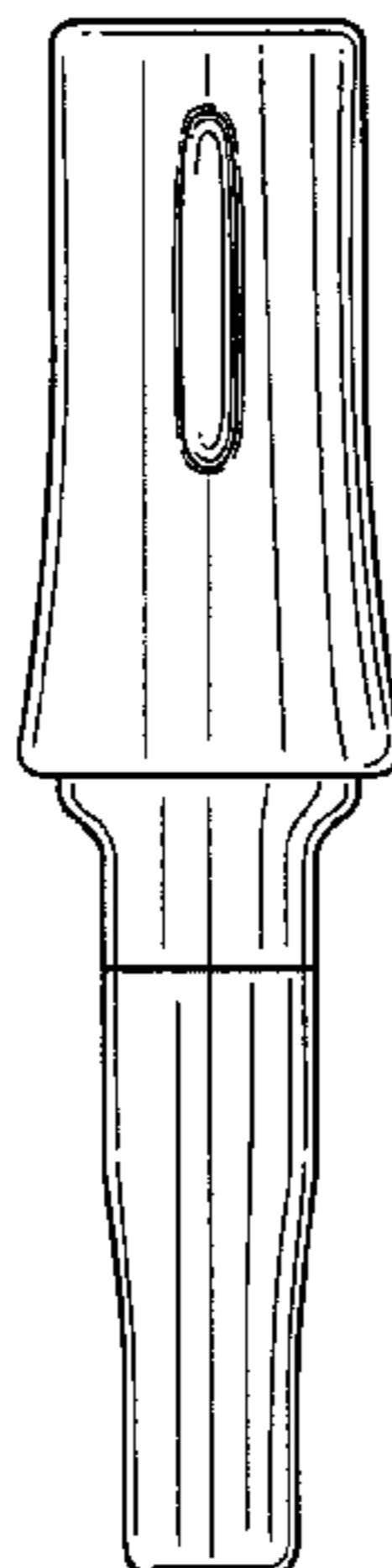
(57) **CLAIM**

The ornamental design for an electrical connector, as shown and described.

DESCRIPTION

FIG. 1 is a top view of an electrical connector showing our new design;
FIG. 2 is a side view thereof, with the opposite side being a mirror image thereto;
FIG. 3 is a bottom view thereof;
FIG. 4 is a front view thereof; and,
FIG. 5 is a rear view thereof.
The broken line portion of the figure drawings is included to show unclaimed subject matter only and forms no part of the claimed design.

1 Claim, 1 Drawing Sheet



US D616,825 S

Page 2

U.S. PATENT DOCUMENTS

5,067,909	A	11/1991	Behning	D399,188	S	10/1998	Lin
5,101,463	A	3/1992	Cubukciyan et al.	D399,189	S	10/1998	Lin
5,127,843	A	7/1992	Henry et al.	5,890,929	A	4/1999	Mills et al.
5,195,905	A	3/1993	Pesci	D415,469	S	10/1999	Lee
5,212,752	A	5/1993	Stephenson et al.	5,984,378	A	11/1999	Ostrander et al.
5,265,183	A	11/1993	Feng et al.	6,045,404	A	4/2000	Myer
5,288,243	A	2/1994	Mergless	6,056,577	A	5/2000	Blanchet
5,356,315	A	10/1994	Jankowski et al.	6,102,907	A	8/2000	Smethers et al.
5,394,494	A	2/1995	Jennings et al.	D434,003	S	11/2000	Brisson
5,449,302	A	9/1995	Yarbrough et al.	6,161,579	A	12/2000	Vulliet
D368,697	S	4/1996	Hoard	D438,844	S	3/2001	Meyer et al.
D372,221	S	7/1996	Anthony	6,290,525	B1	9/2001	Jacobi
5,637,010	A	6/1997	Jost et al.	6,296,508	B1	10/2001	Kuwahara et al.
5,666,970	A	9/1997	Smith	6,416,334	B1	7/2002	Plishner
5,683,270	A	11/1997	Warislohner	6,454,613	B2	9/2002	Valceschini
5,704,809	A	1/1998	Davis	6,508,669	B2	1/2003	Wang
5,727,963	A	3/1998	LeMaster	D494,136	S	8/2004	Vesecky
5,746,619	A	5/1998	Harting et al.	D512,965	S	12/2005	Dobler
				2002/0182924	A1	12/2002	Mo

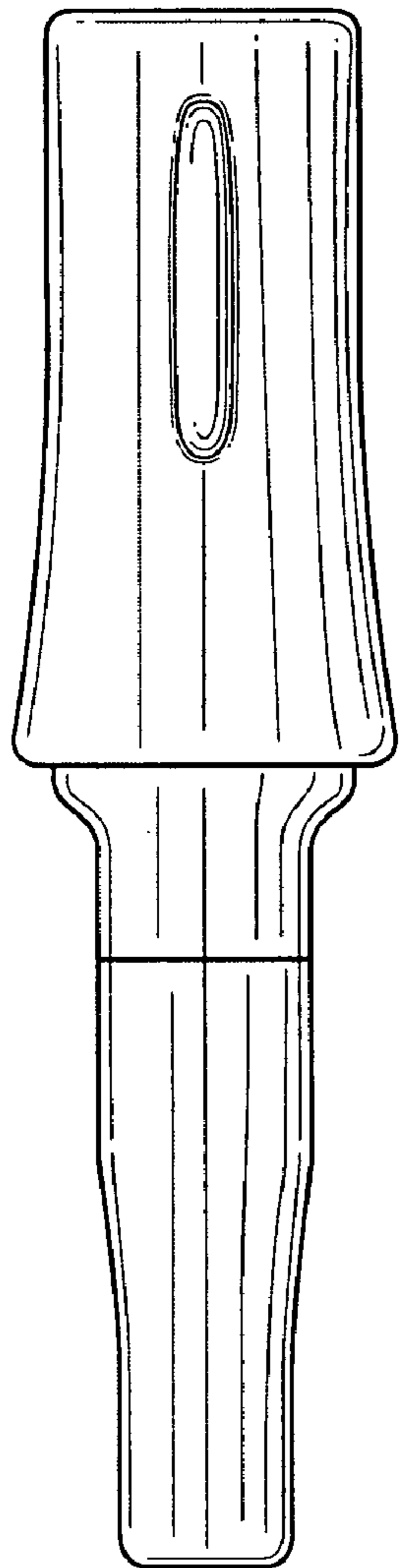


FIG. 1

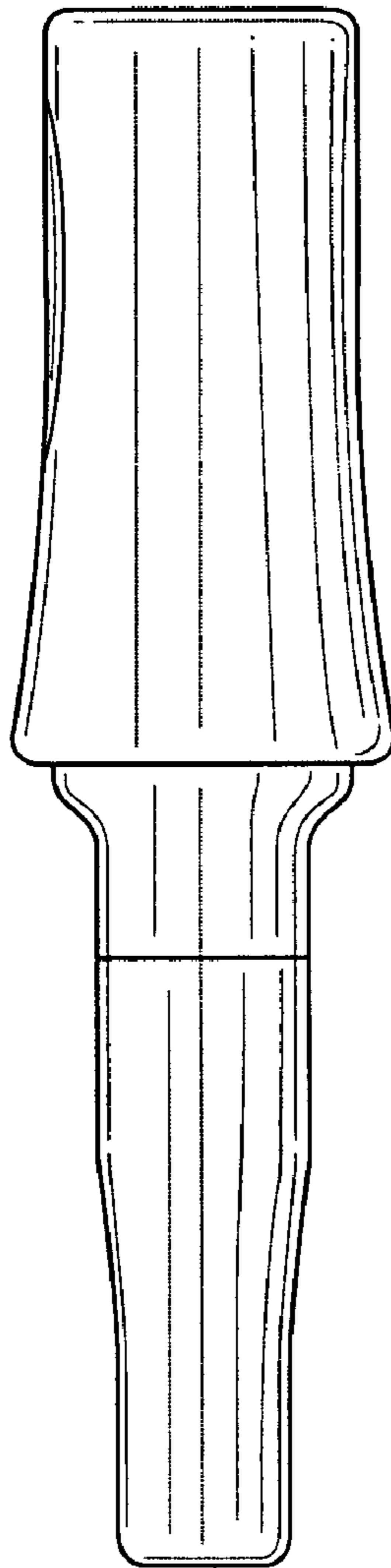


FIG. 2

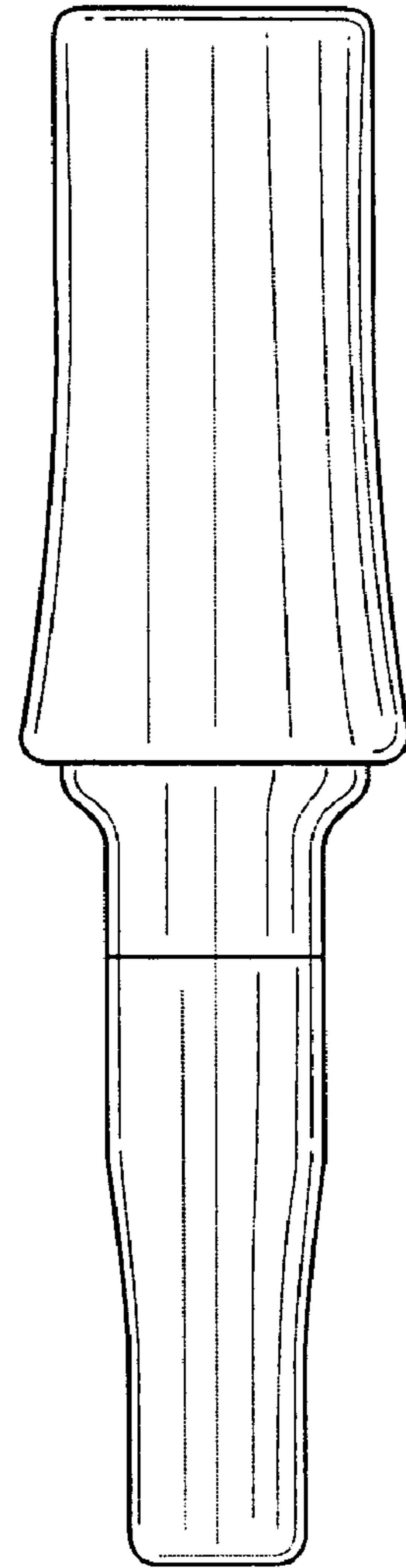


FIG. 3

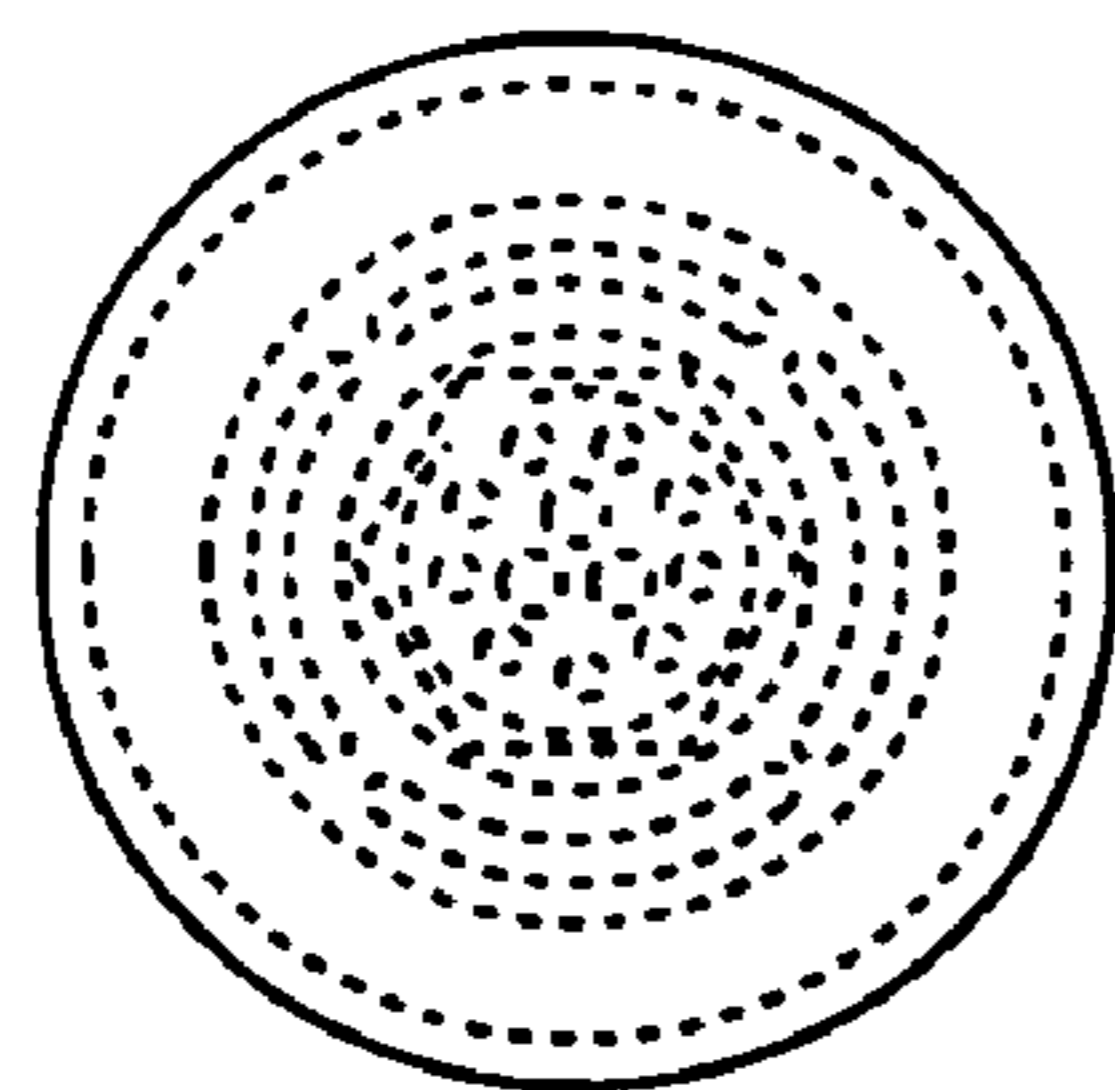


FIG. 4

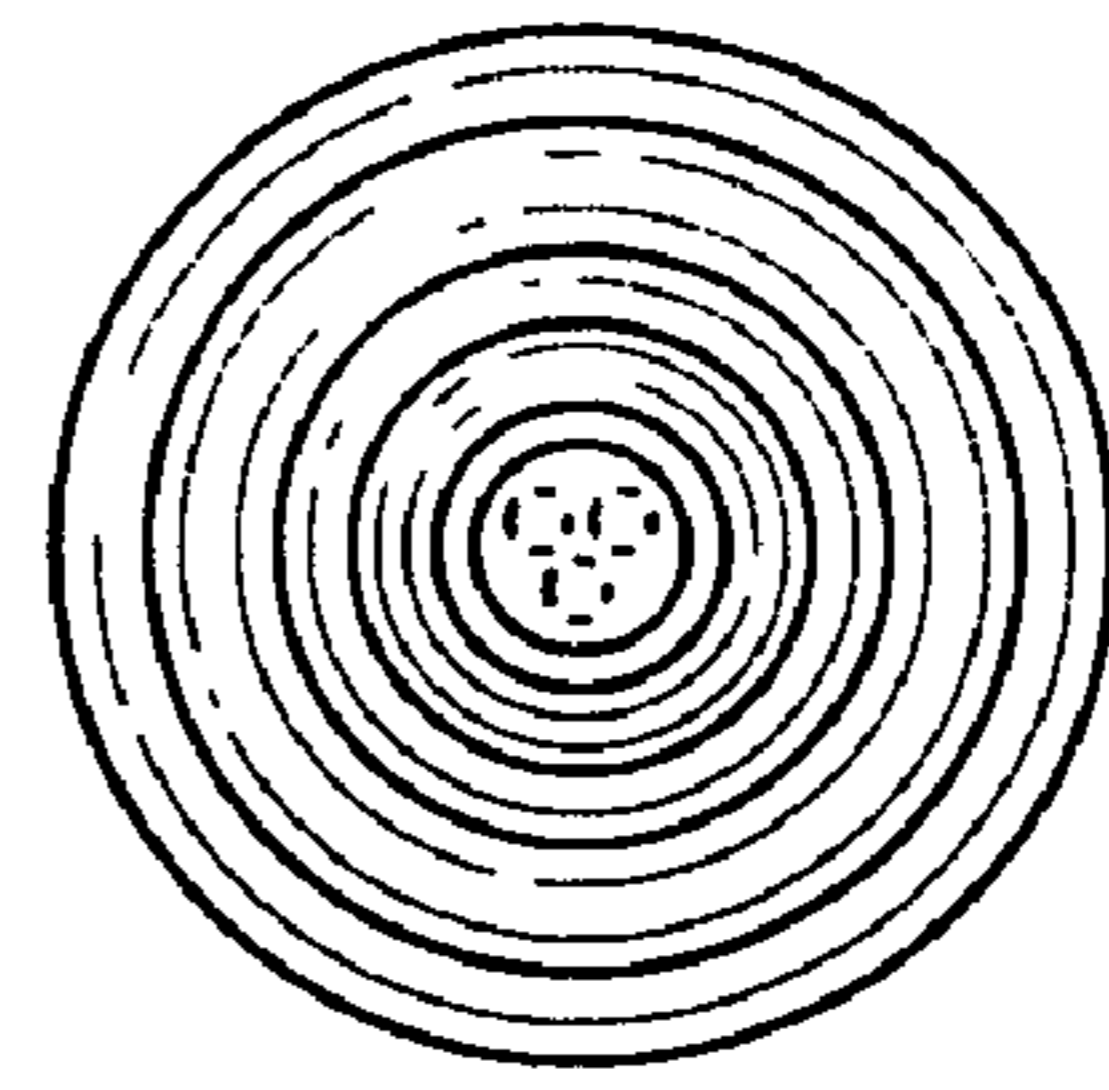


FIG. 5