



US00D616824S

(12) **United States Design Patent**  
**Inaba et al.**

(10) **Patent No.:** **US D616,824 S**  
(45) **Date of Patent:** **\*\* Jun. 1, 2010**

(54) **ELECTRIC CONNECTOR**

D543,507 S \* 5/2007 Peng ..... D13/147

(75) Inventors: **Kenji Inaba**, Yokohama (JP); **Kazushige Asakawa**, Yokohama (JP); **Manabu Eriguchi**, Yamato (JP)

\* cited by examiner

*Primary Examiner*—Daniel D Bui  
(74) *Attorney, Agent, or Firm*—Timothy M. Morella

(73) Assignee: **Molex Incorporated**, Lisle, IL (US)

(57) **CLAIM**

(\*\*) Term: **14 Years**

The ornamental design for an electric connector, as shown and described.

(21) Appl. No.: **29/280,733**

(22) Filed: **Jun. 5, 2007**

**DESCRIPTION**

(51) **LOC (9) Cl.** ..... **13-03**

(52) **U.S. Cl.** ..... **D13/147**

(58) **Field of Classification Search** ..... D13/146–147,  
D13/154, 184; 439/350, 352, 354, 357, 374,  
439/489, 680

FIG. 1 is a top, left and rear perspective view of an electric connector, showing our new design;

FIG. 2 is a rear elevation view thereof;

FIG. 3 is a front elevation view thereof;

FIG. 4 is a right side elevation view thereof;

FIG. 5 is a left side elevation view thereof;

FIG. 6 is a top plan view thereof; and,

FIG. 7 is a bottom plan view thereof.

See application file for complete search history.

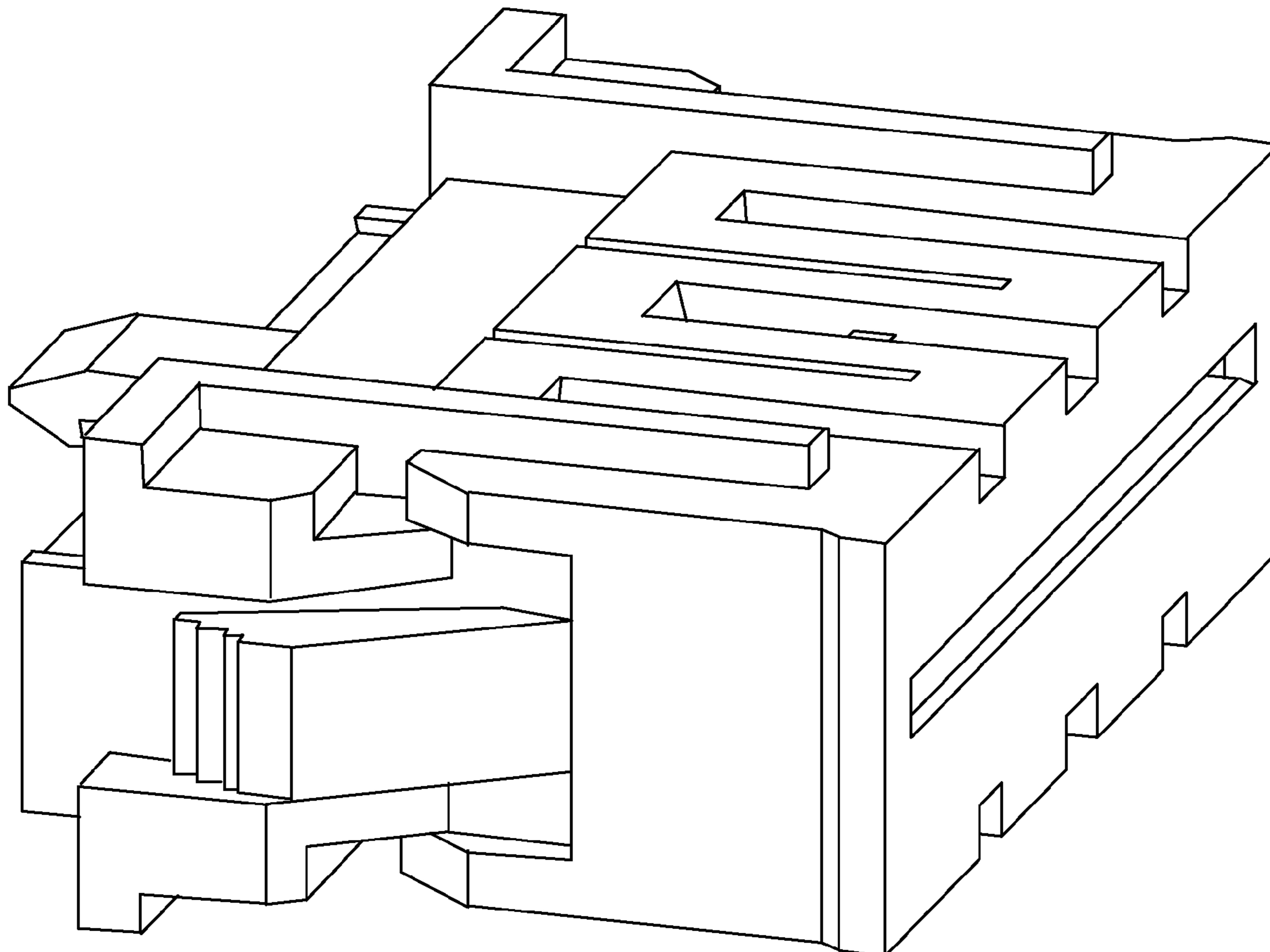
The broken line portion of the figure drawings is included to show unclaimed subject matter only and forms no part of the claimed design.

(56) **References Cited**

**U.S. PATENT DOCUMENTS**

D312,815 S *	12/1990	Yamamoto	.....	D13/147
D415,107 S *	10/1999	Avery et al.	.....	D13/147
D463,370 S *	9/2002	Chen	.....	D13/147
D518,440 S *	4/2006	Chang	.....	D13/147
D524,742 S *	7/2006	Kumagai	.....	D13/147

**1 Claim, 6 Drawing Sheets**



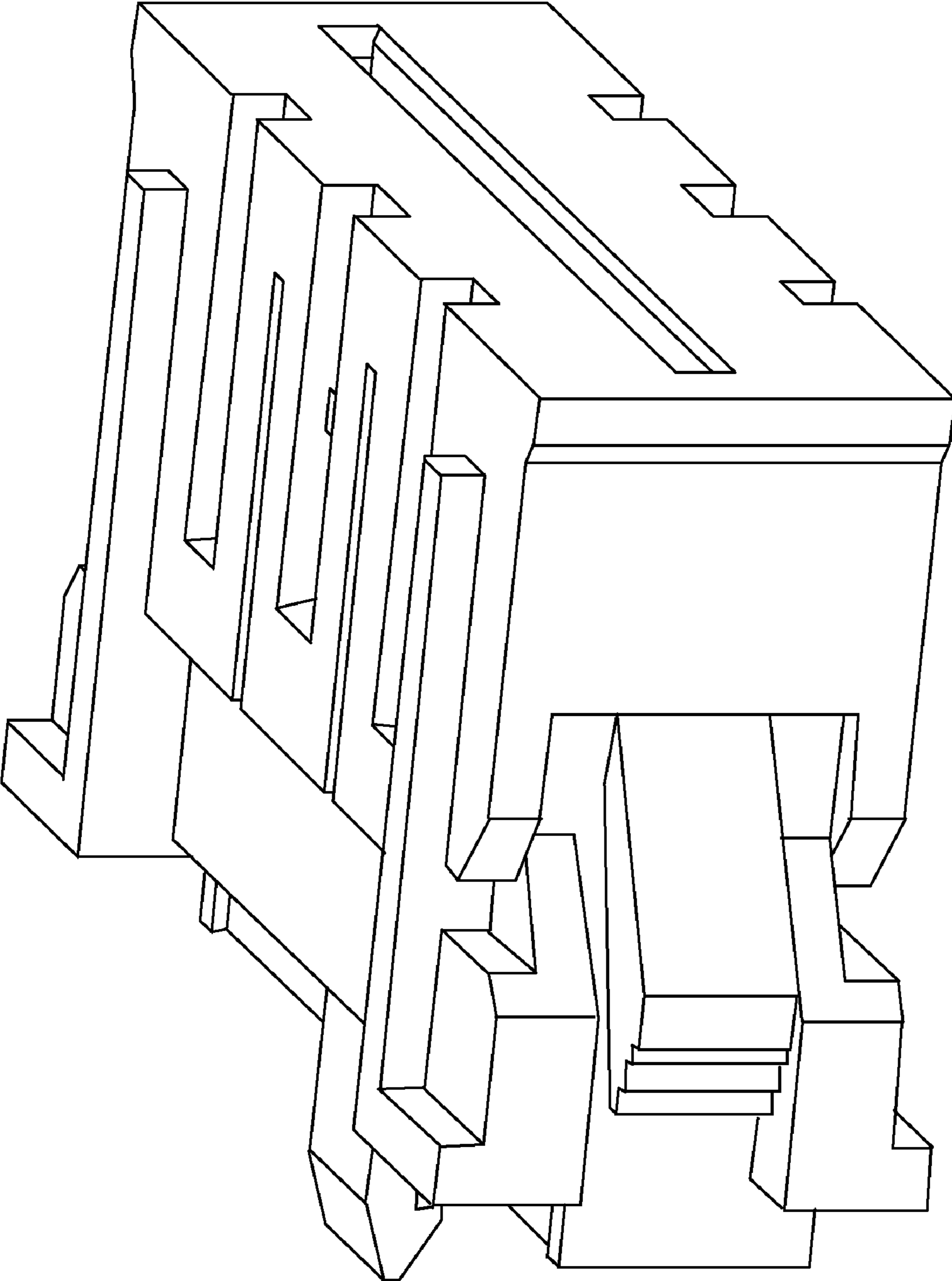


FIG.1

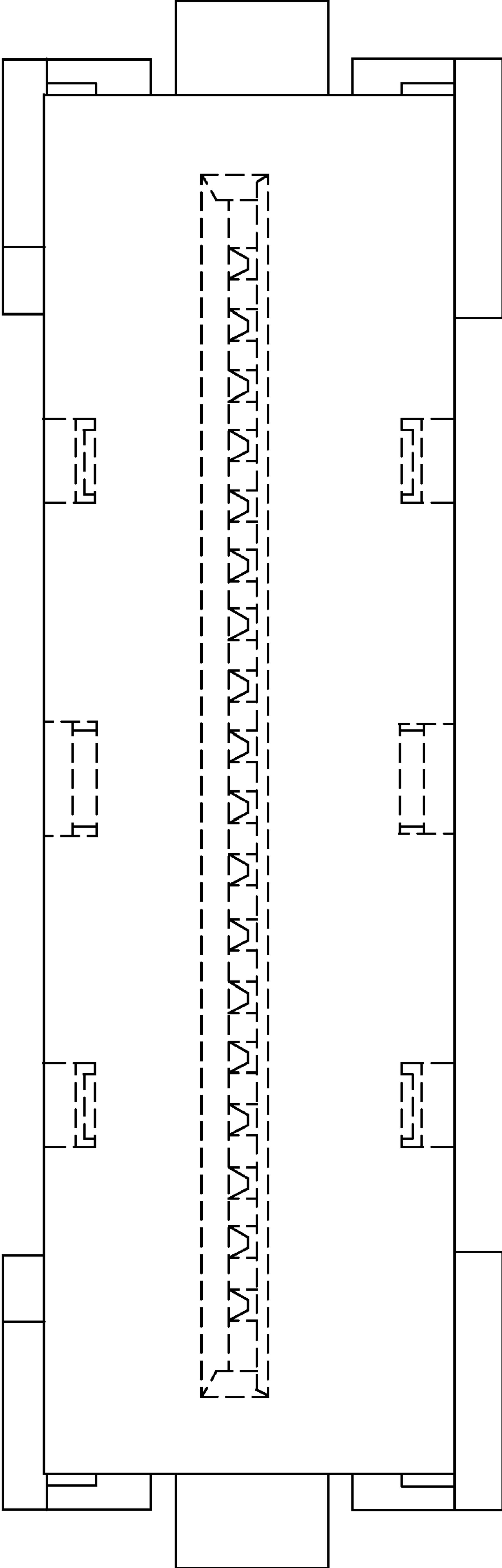


FIG.2

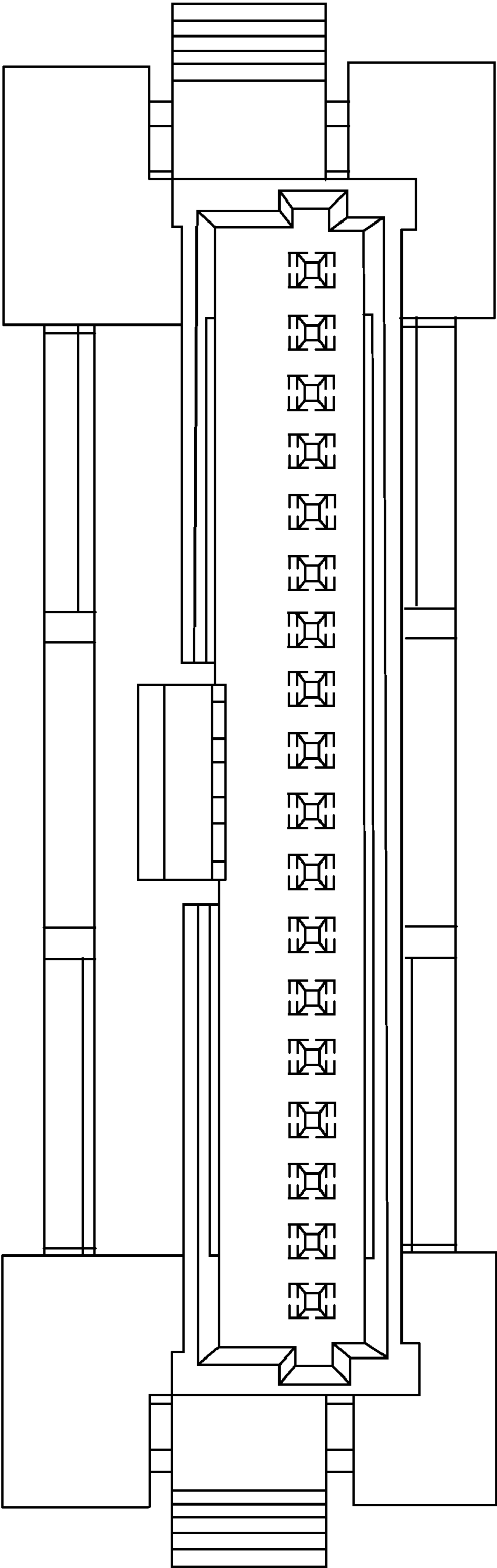


FIG.3

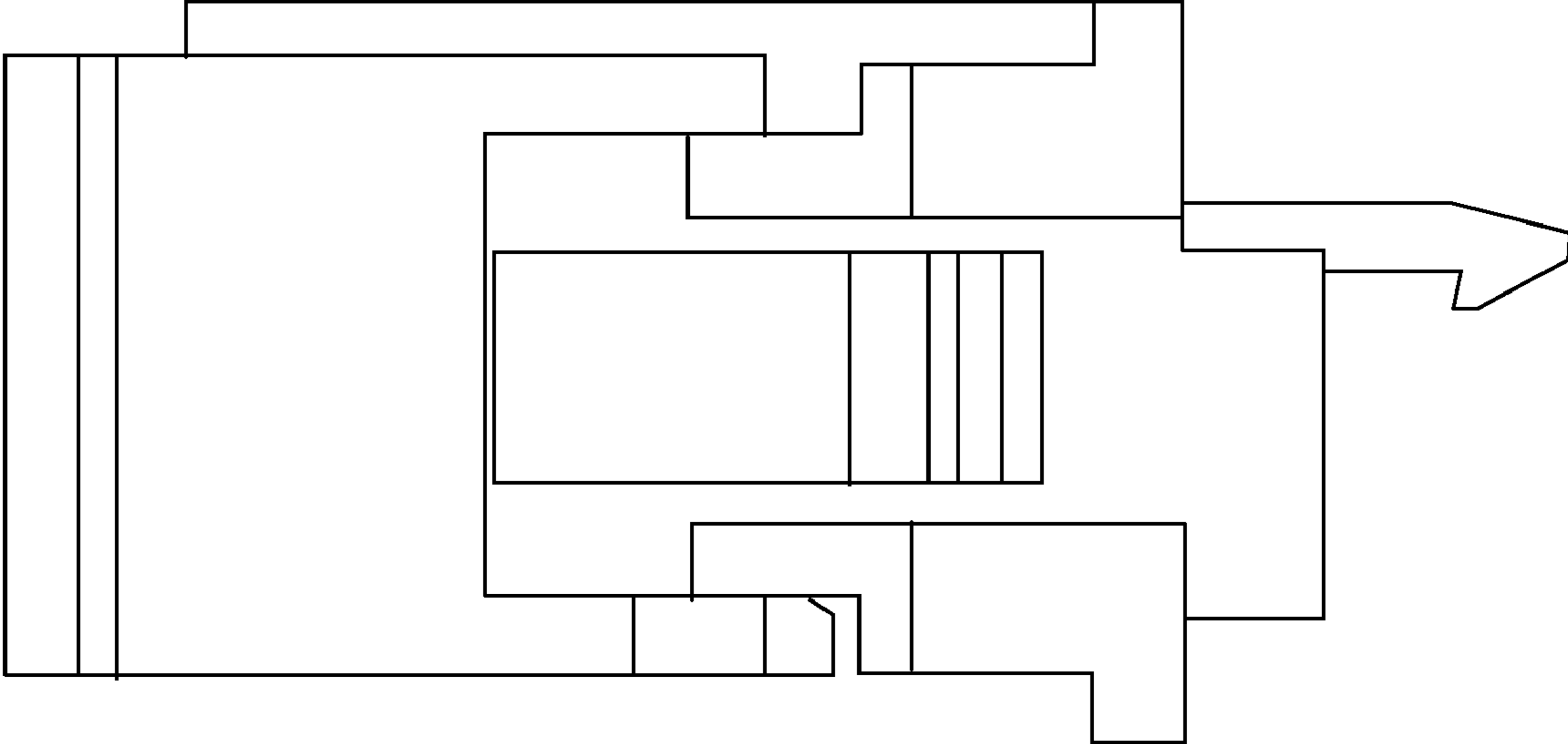


FIG.4

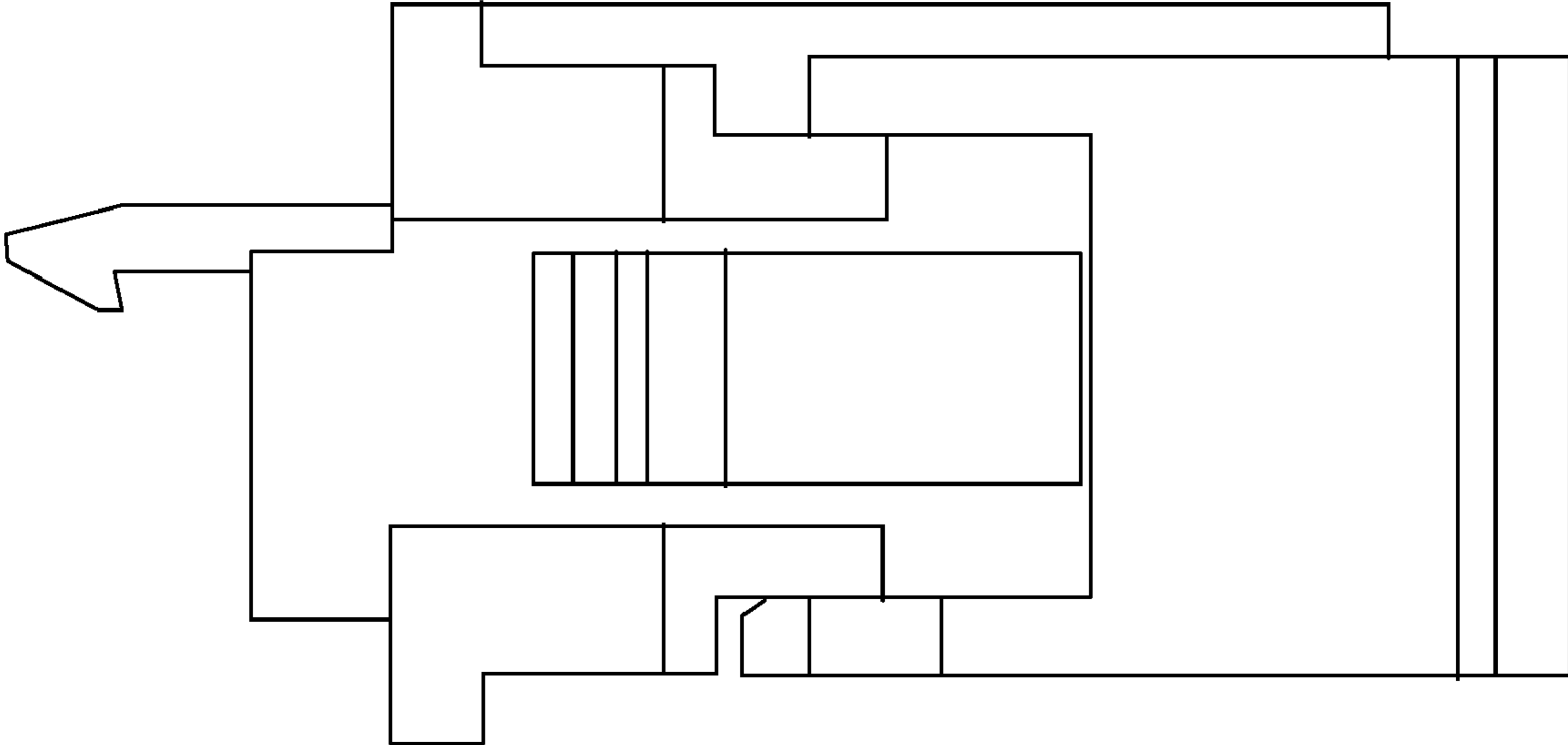
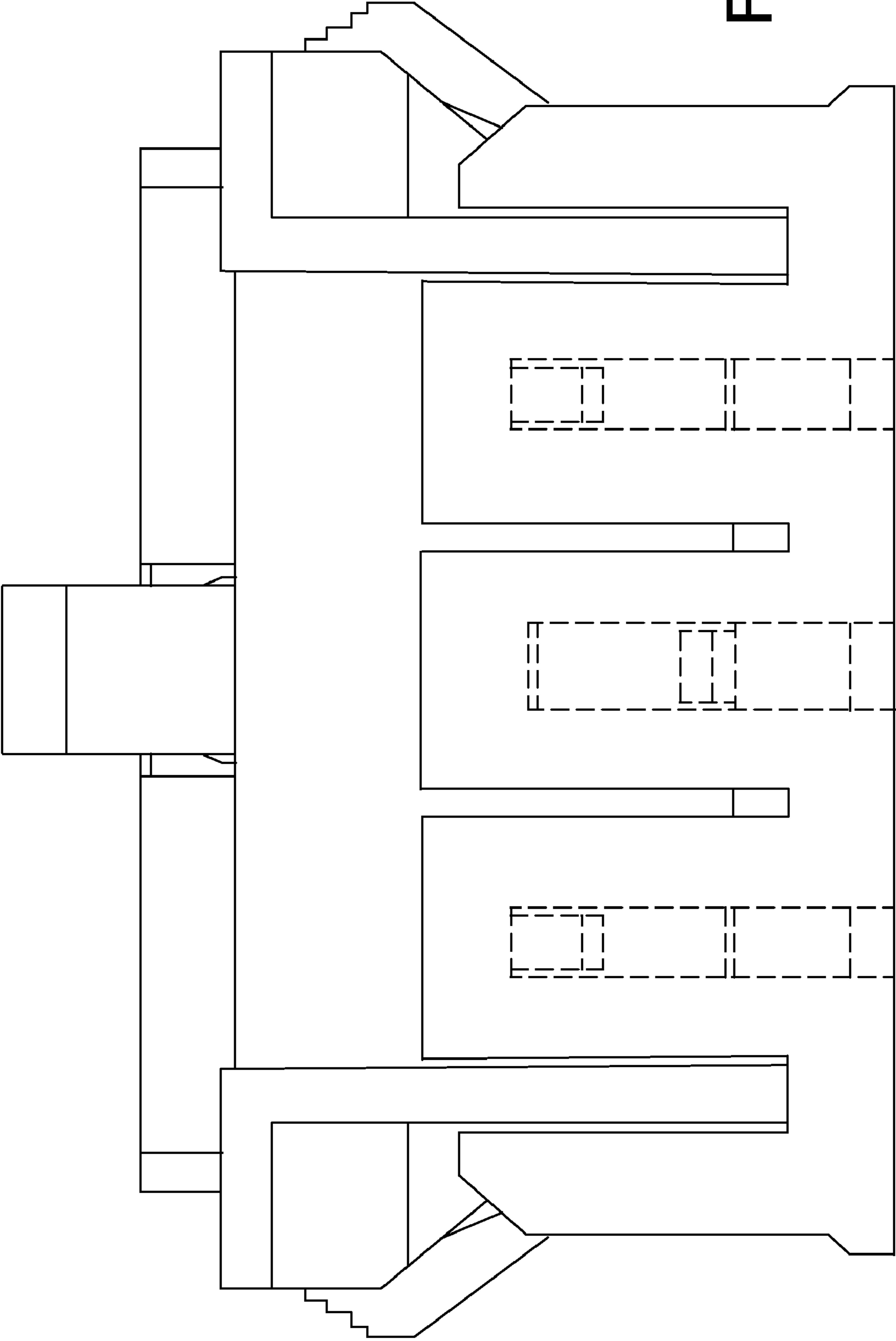


FIG.5

FIG. 6



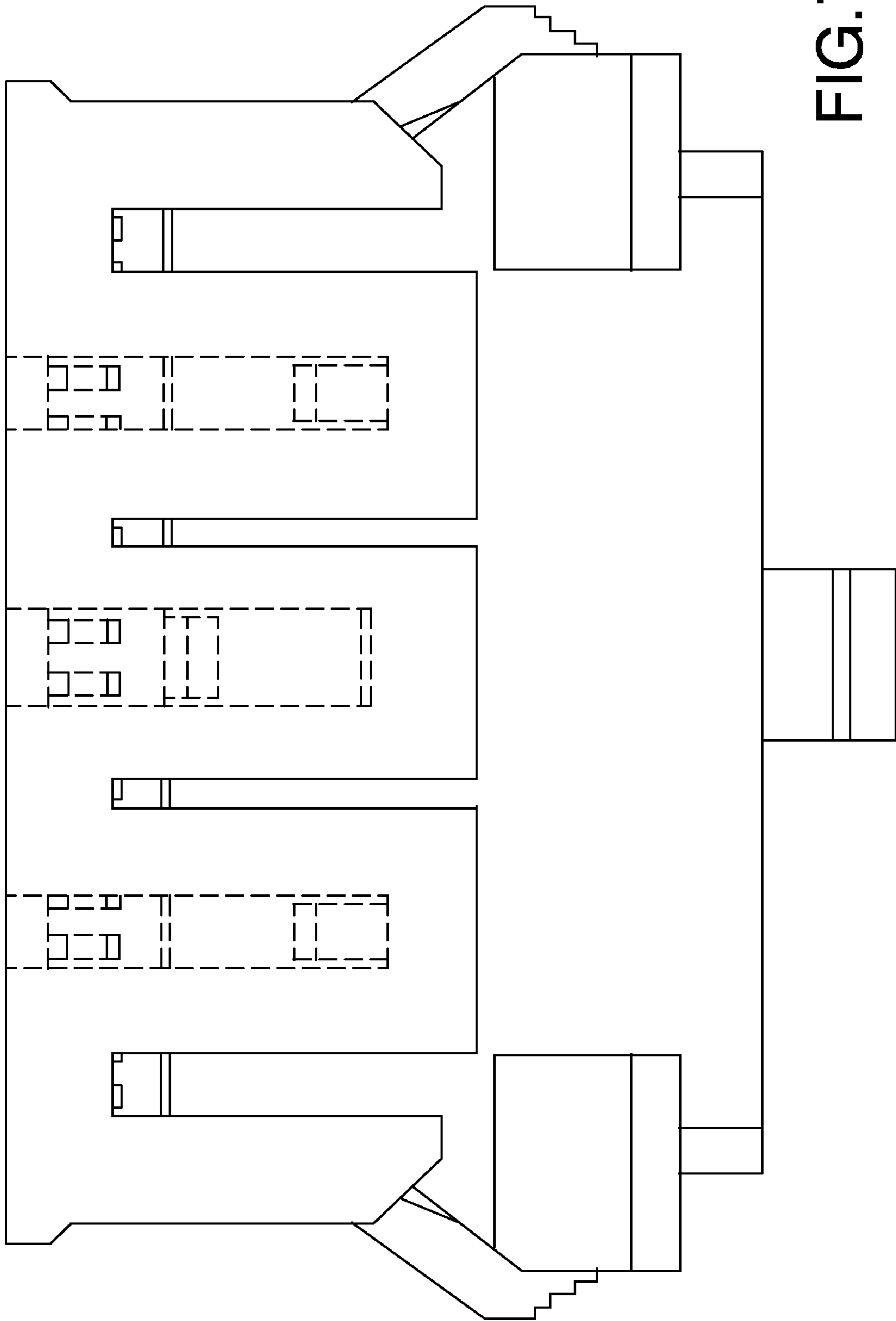


FIG. 7