



US00D616822S

(12) **United States Design Patent**
Zayas

(10) **Patent No.:** **US D616,822 S**
(45) **Date of Patent:** **** Jun. 1, 2010**

- (54) **T5 STEP BASE**
- (75) Inventor: **Betty Jean Zayas**, Bridgeport, CT (US)
- (73) Assignee: **Light Sources, Inc.**, Orange, CT (US)
- (**) Term: **14 Years**
- (21) Appl. No.: **29/340,760**
- (22) Filed: **Jul. 24, 2009**

- (51) **LOC (9) Cl.** **13-03**
- (52) **U.S. Cl.** **D13/134**
- (58) **Field of Classification Search** D13/133-136,
D13/154, 184, 199; D26/24, 113; 313/318.01-318.05,
313/318.12; 362/260, 581; 439/168, 220,
439/226, 232, 280, 336, 419, 602
See application file for complete search history.

(56) **References Cited**
U.S. PATENT DOCUMENTS

2,049,152 A	7/1936	Biggs
2,223,166 A	11/1940	Dazley
2,229,962 A	1/1941	De Reamer
2,247,117 A	6/1941	De Reamer
2,248,598 A	7/1941	Yoder
2,254,222 A	9/1941	Hubbell et al.
2,257,786 A	10/1941	Chirelstein
2,259,915 A	10/1941	Weritz
2,282,281 A	5/1942	Cavanagh
2,283,454 A	5/1942	Osterloo
2,284,376 A	5/1942	Reamer et al.
2,292,051 A	8/1942	Chirelstein
2,324,683 A	7/1943	Despard
2,336,588 A	12/1943	Bixby
2,356,601 A	8/1944	MacCarthy
2,380,211 A	7/1945	Biller
2,403,114 A	7/1946	Oday
2,424,874 A	7/1947	Beals
2,448,236 A	8/1948	Schneiderman et al.
2,505,112 A	4/1950	Hallman
2,505,775 A	5/1950	Hubbell
2,507,898 A	5/1950	Gaynor et al.
2,522,044 A	9/1950	Kelman
2,533,734 A	12/1950	Kelman

2,569,662 A 10/1951 Fallek
2,888,657 A 5/1959 Green

(Continued)

FOREIGN PATENT DOCUMENTS

DE 1003354 2/1957

(Continued)

OTHER PUBLICATIONS

Sylvania, retrieved online on Apr. 20, 2009 from: <http://www.sylvania.com/ConsumerProducts/LightingForHome/Products/Fluorescent/>.

(Continued)

Primary Examiner—Daniel D Bui
Assistant Examiner—Thomas J Johannes
(74) *Attorney, Agent, or Firm*—Cantor Colburn LLP

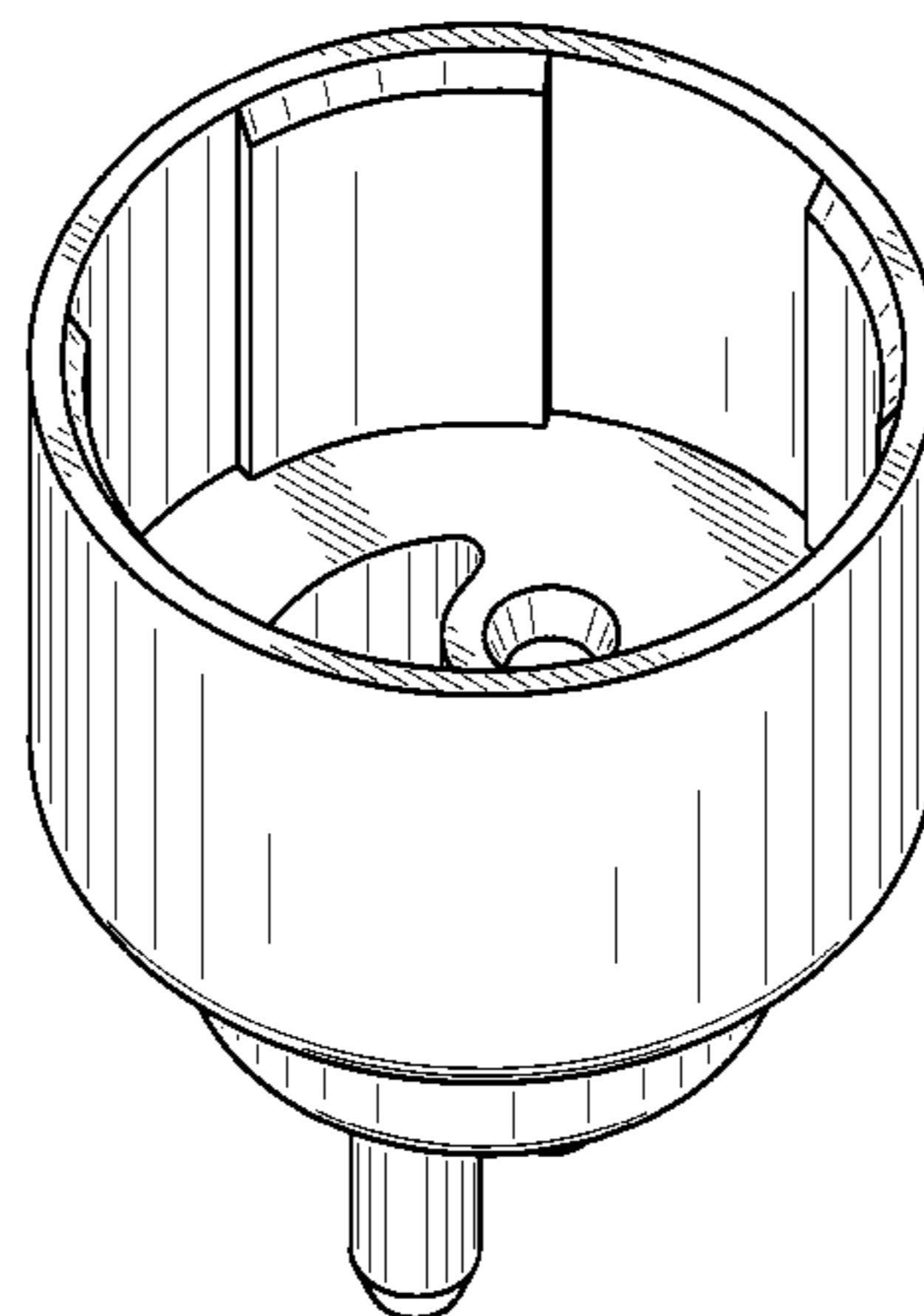
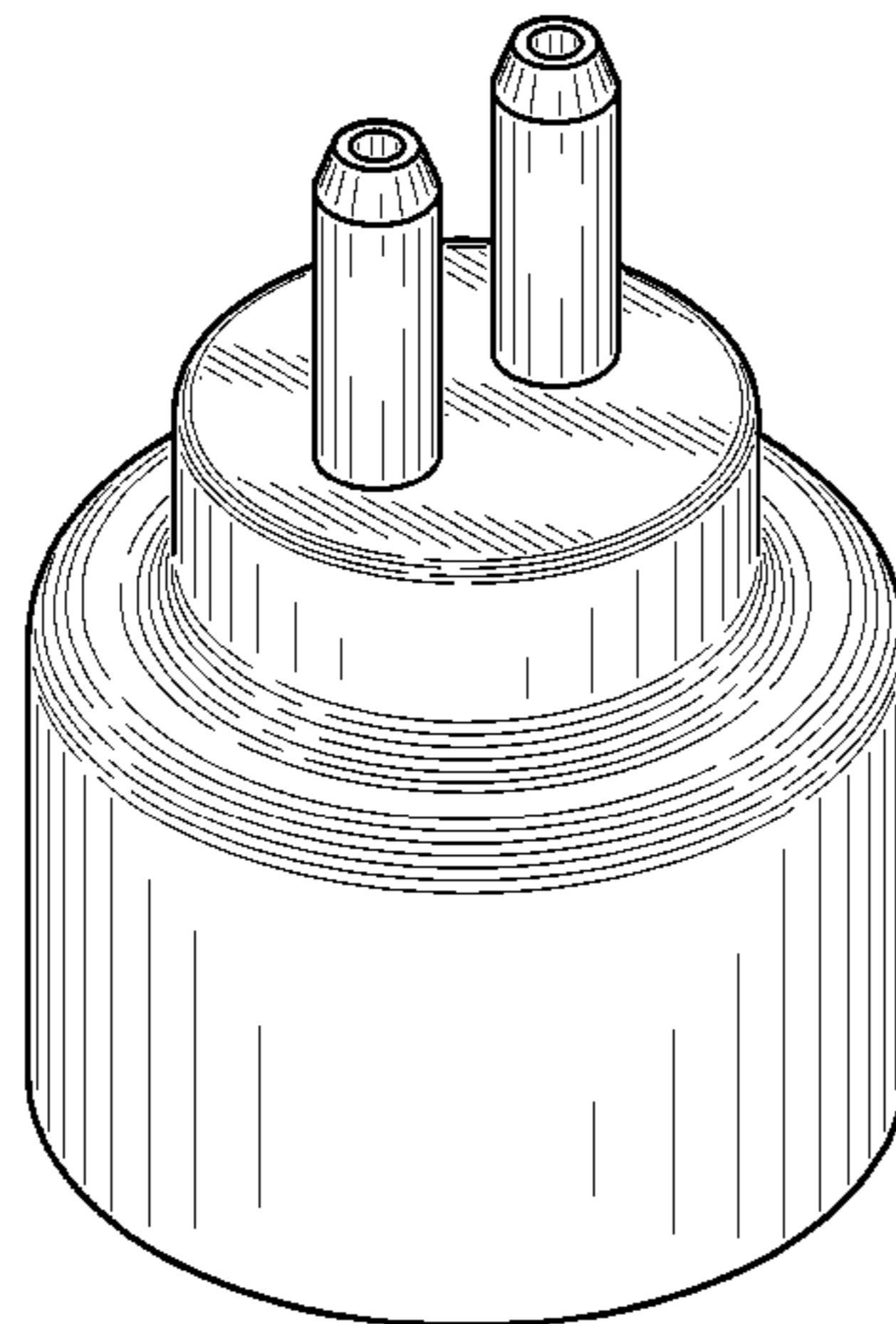
(57) **CLAIM**

The ornamental design for a T5 step base, as shown and described.

DESCRIPTION

FIG. 1 is a perspective view of a T5 step base showing my new design;
FIG. 2 is a top view of FIG. 1;
FIG. 3 is a bottom view of FIG. 1;
FIG. 4 is a front view of FIG. 1;
FIG. 5 is a side view of FIG. 1; and,
FIG. 6 is an inverted perspective view of FIG. 1.

1 Claim, 5 Drawing Sheets



US D616,822 S

U.S. PATENT DOCUMENTS

2,918,645	A	12/1959	Krupp	
3,245,025	A	4/1966	Goddard et al.	
3,559,151	A	1/1971	Gaynor	
3,651,445	A	3/1972	Francis	
3,713,074	A	1/1973	Pasbrig	
3,781,759	A	12/1973	Shelly, Jr.	
4,275,325	A	6/1981	Guim	
4,306,758	A	12/1981	Johnson et al.	
4,326,146	A	4/1982	Plagge et al.	
4,758,173	A	7/1988	Northrop	
5,422,487	A	6/1995	Sauska et al.	
5,565,685	A	10/1996	Czako et al.	
5,727,869	A	3/1998	Crosby et al.	
5,816,837	A	10/1998	Henrici et al.	
5,904,415	A	5/1999	Robertson et al.	
6,100,638	A	8/2000	Shah	
6,290,522	B1	9/2001	Campolo et al.	
6,632,100	B1	10/2003	Richardson	
D506,979	S	7/2005	Wiskerke	
D516,511	S	3/2006	Wiskerke	
D519,455	S *	4/2006	Tufano et al.	D13/134
D521,451	S *	5/2006	Wiskerke	D13/134
7,052,171	B1	5/2006	Lefebvre et al.	
7,097,327	B1	8/2006	Barton	
D537,414	S *	2/2007	Saito	D13/146
D546,765	S	7/2007	Ciancanelli et al.	
D552,034	S *	10/2007	Hobson et al.	D13/133
D593,706	S *	6/2009	Zayas et al.	D26/142
D603,086	S *	10/2009	Zayas	D26/113
2005/0202704	A1	9/2005	Lingemann et al.	

FOREIGN PATENT DOCUMENTS

DE	972600	8/1959
DE	19635822	3/1998
EP	572733	12/1993
EP	1602876	12/2005
EP	1 658 864	5/2006
FR	652246	3/1929
FR	861495	2/1941
FR	863722	4/1941
FR	873794	7/1942
FR	900674	7/1945
FR	2611319	6/1988
FR	2652147	3/1991
FR	2783104	3/2000
FR	2806542	9/2001
GB	536336	5/1941

GB	537886	7/1941
GB	540355	10/1941
GB	578701	7/1946
GB	581097	10/1946
GB	591244	8/1947
GB	591676	8/1947
GB	623999	5/1949
GB	626834	7/1949
GB	630143	10/1949
GB	688920	3/1953
GB	851469	10/1960
GB	861198	2/1961
GB	905055	9/1962
GB	986136	3/1965
JP	3276585	12/1991
JP	4087173	3/1992
JP	4137433	5/1992
JP	4357688	12/1992
JP	7272808	10/1995
JP	8129907	5/1996
JP	9115627	5/1997
JP	9148014	6/1997
JP	10275664	10/1998
JP	2004288406	10/2004
WO	2002011250	2/2002
WO	2004095503	11/2004

OTHER PUBLICATIONS

GE Lighting, "Linear Fluorescent," retrieved online on Apr. 20, 2009 from: http://genet.gelighting.com/LightProducts/Dispatcher?REQUEST=CATEGORYPAGE&PRODUCTLINE=Lamps_Linear%20Fluorescent&CHANNEL=Commercial.

GE Lighting, "Fluorescent Tubes," retrieved online on Apr. 20, 2009 from: <http://genet.gelighting.com/LightProducts/Dispatcher?REQUEST=APPLICATIONSSUBPAGE&CHANNEL=Consumer&APPLICATION=Fluorescent&CATEGORY=Lamps>.

GE Lighting, "Germicidal," retrieved online on Apr. 20, 2009 from: http://genet.gelighting.com/LightProducts/Dispatcher?REQUEST=RESULTPAGE&CHANNEL=Commercial&CATEGORY=Lamps&FILTER=FT0010:Specialty_Special%20Feature_Germicidal&BREADCRUMB=SpecialtyGermicidal.

McMaster-Carr, "Light Bulbs," retrieved online on Apr. 20, 2009 from: <http://www.mcmaster.com/#light-bulbs/=1jilj7>.

McMaster-Carr, "Light Bulbs" retrieved online on Apr. 20, 2009 from: <http://www.mcmaster.com/#light-bulbs/=1jilz1>.

* cited by examiner

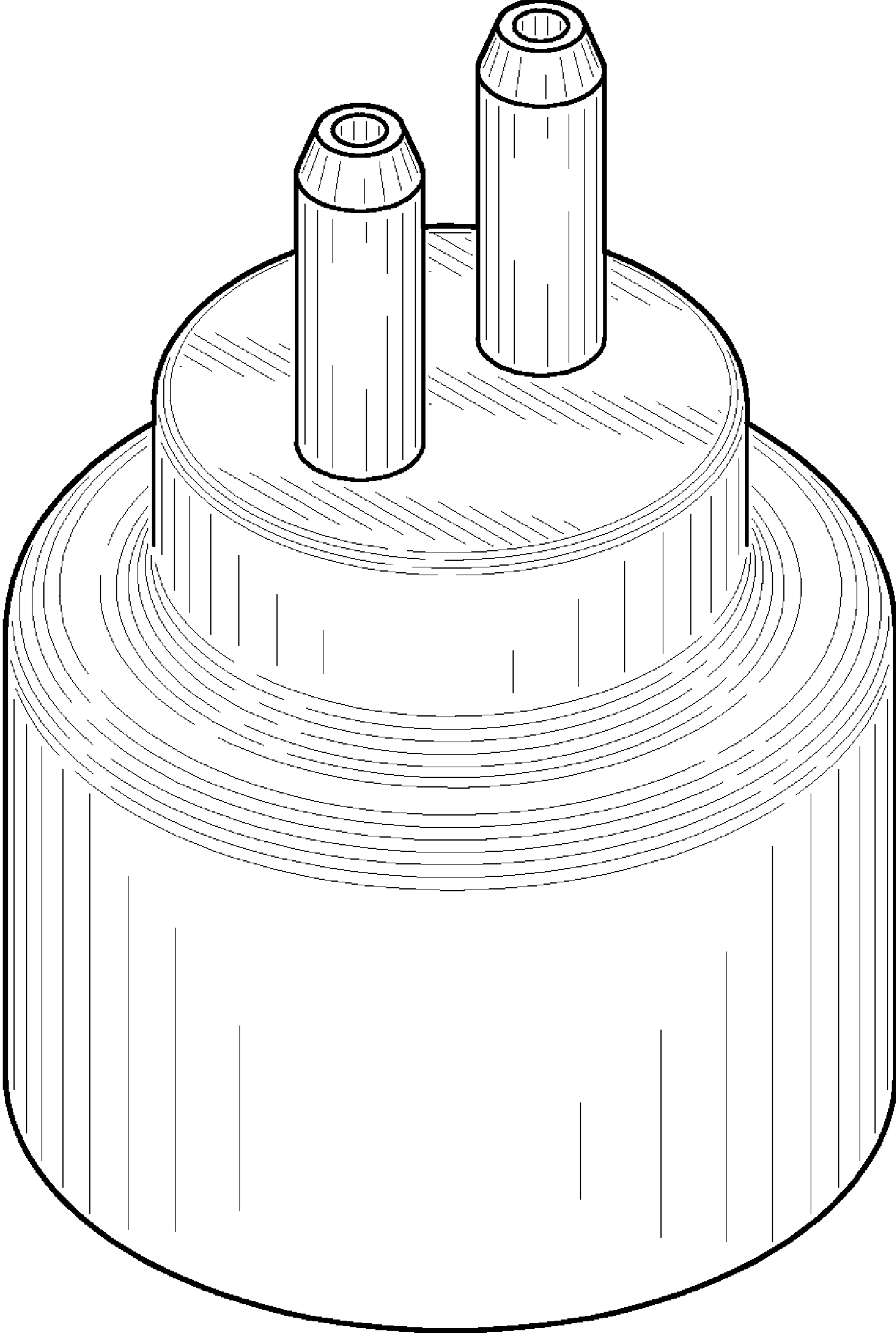


FIG. 1

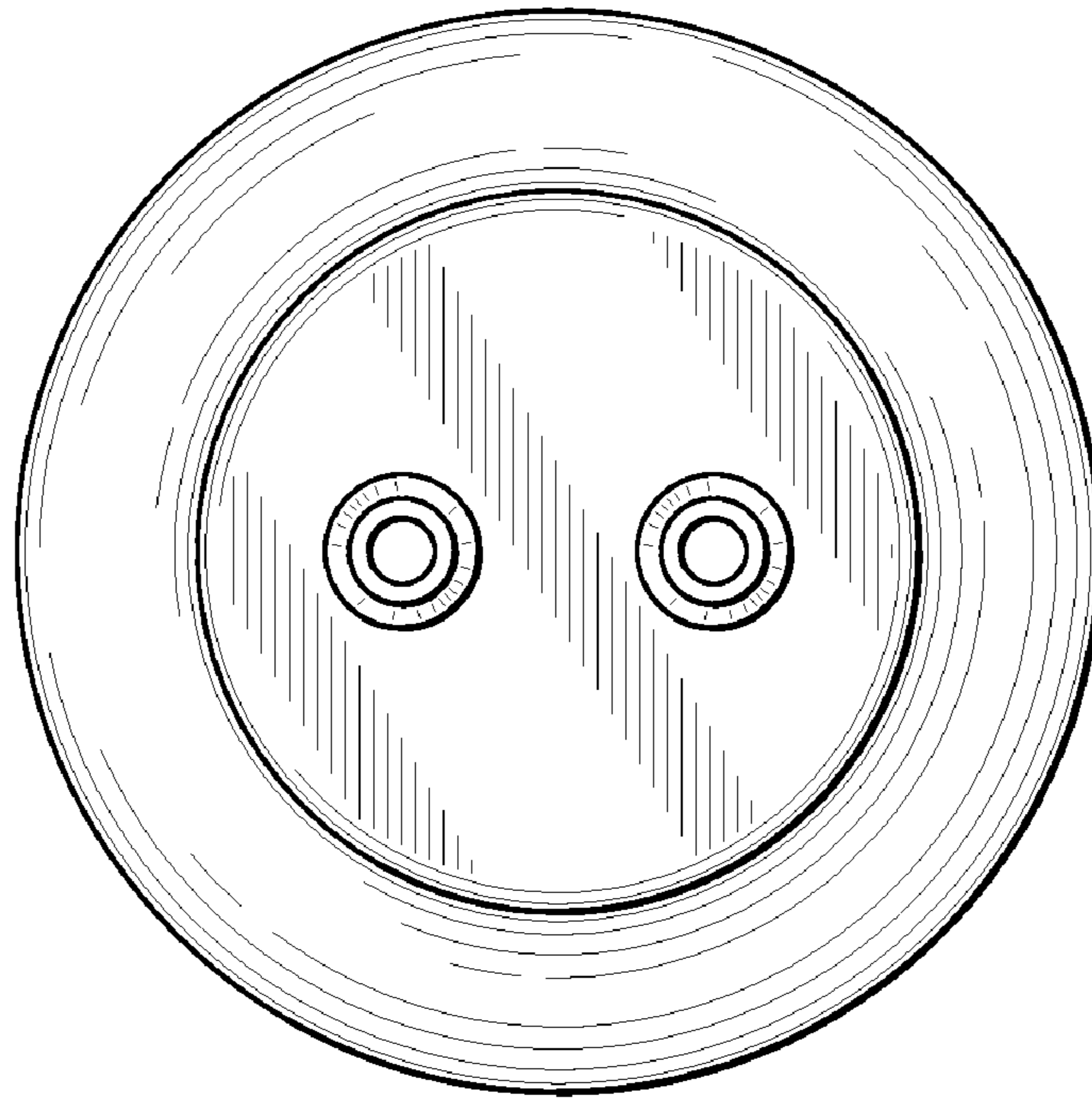


FIG. 2

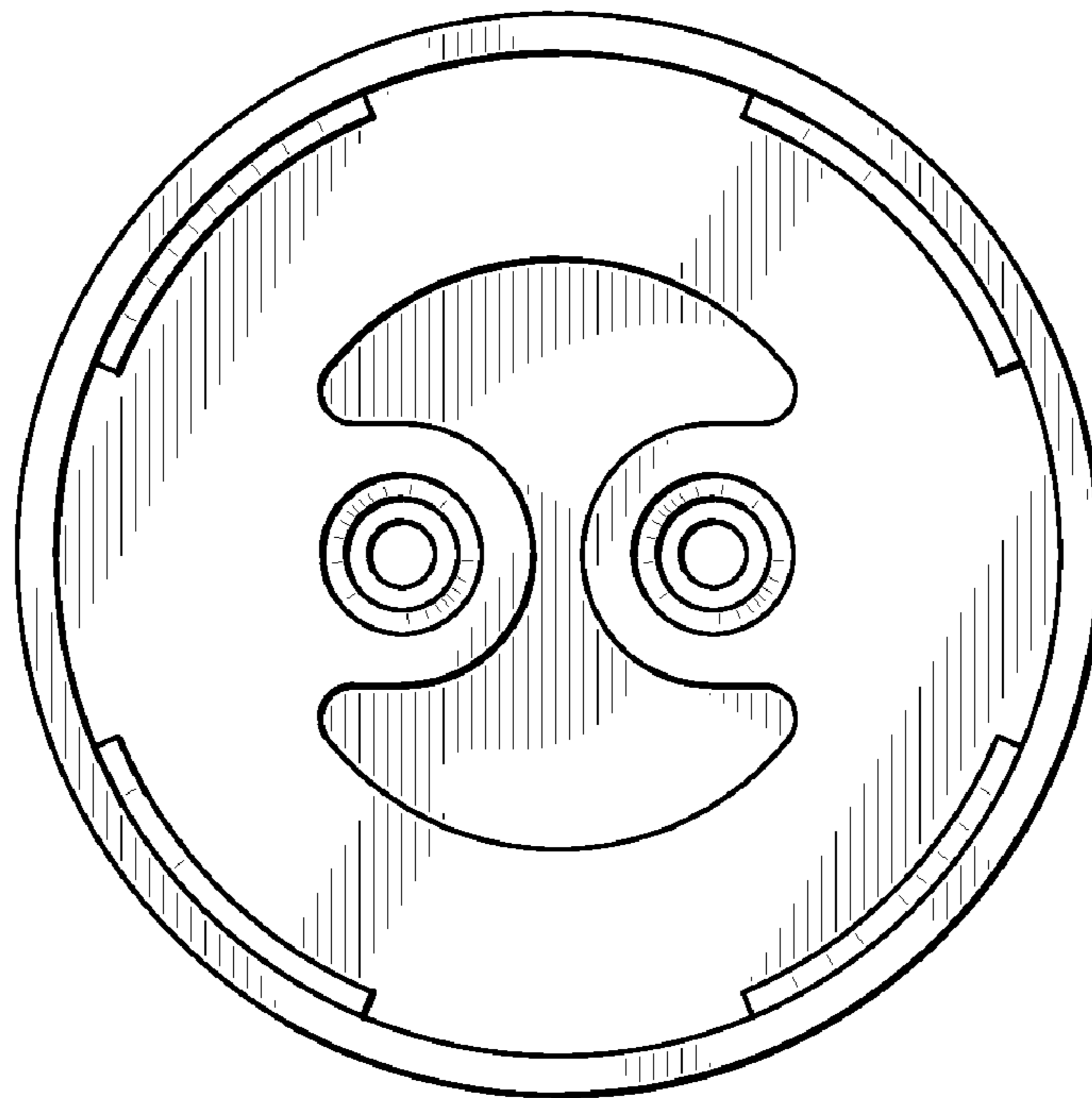


FIG. 3

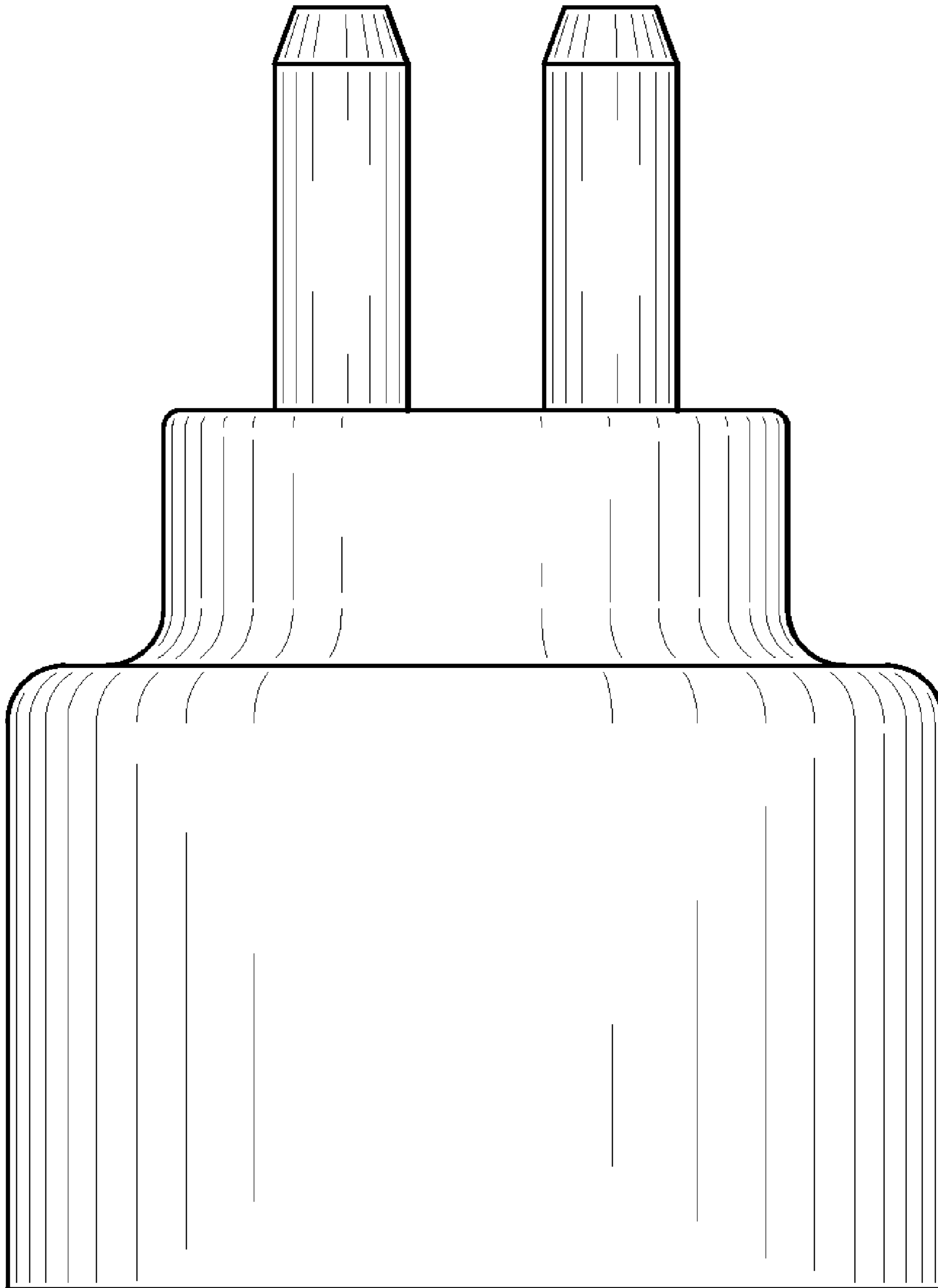


FIG. 4

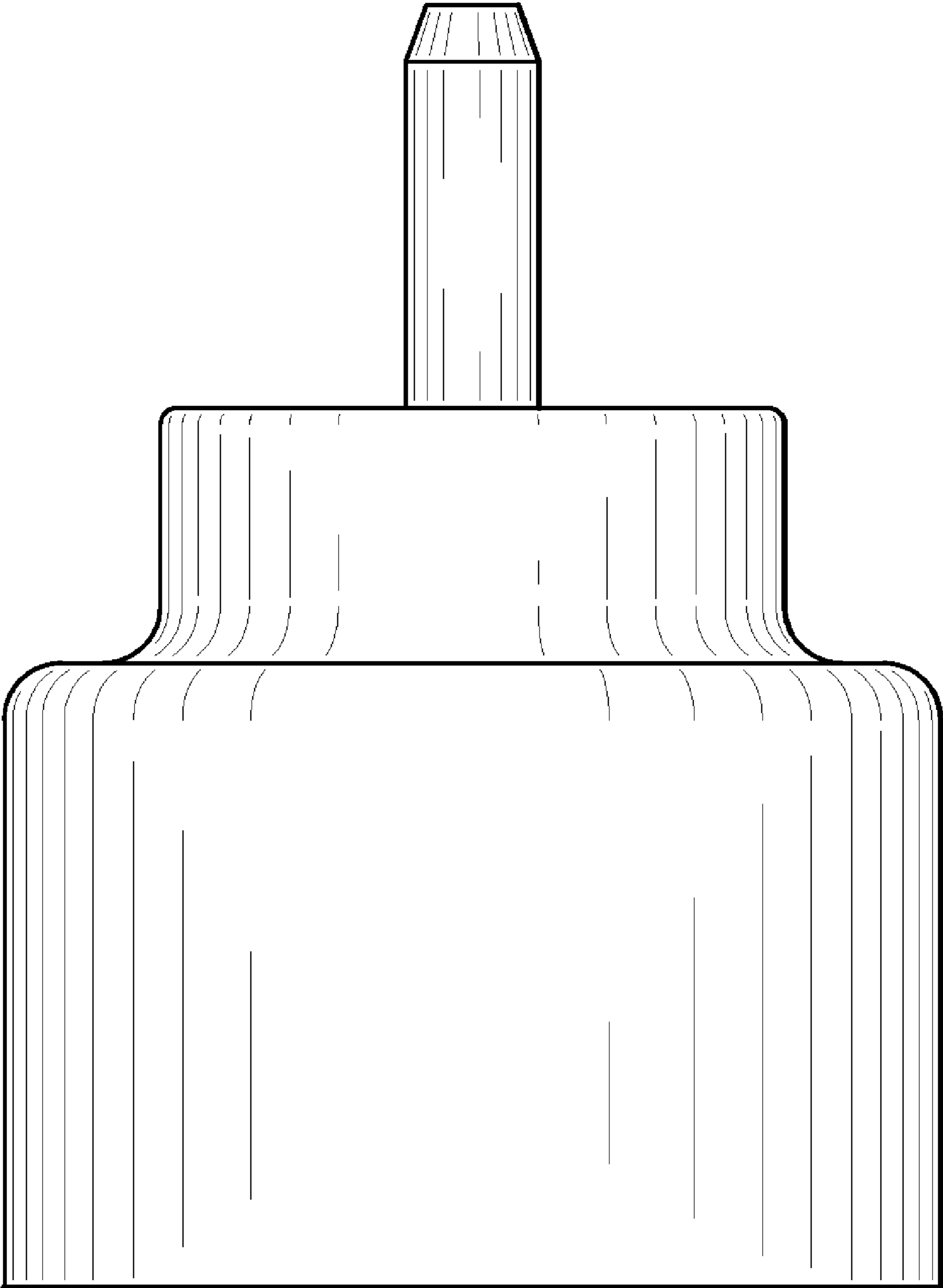


FIG. 5

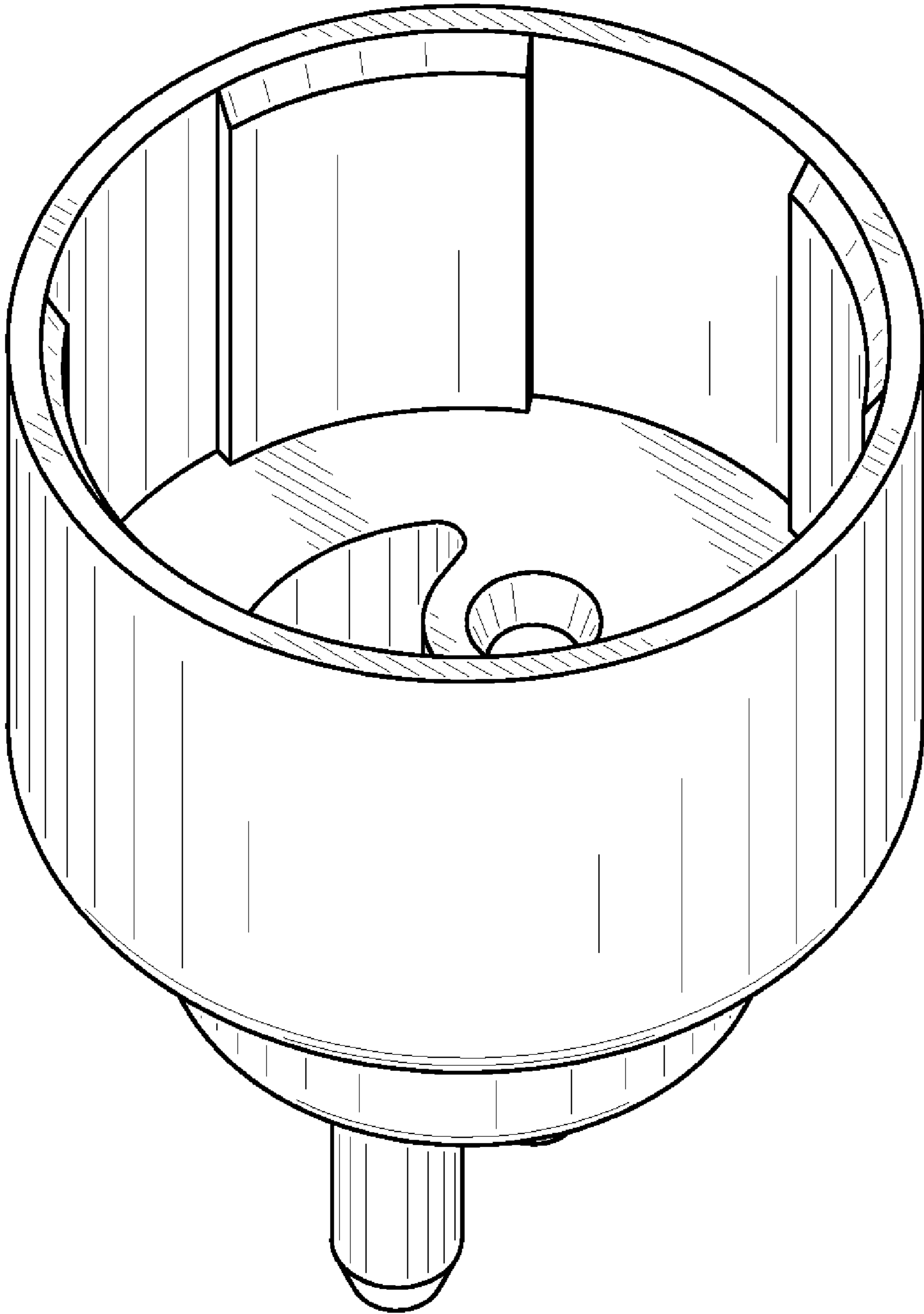


FIG. 6