



US00D616821S

(12) **United States Design Patent**  
**The**

(10) **Patent No.:** **US D616,821 S**  
(45) **Date of Patent:** **\*\* Jun. 1, 2010**

(54) **MALE CONNECTOR**

(75) Inventor: **Agus Suryana The**, Mesa, AZ (US)

(73) Assignee: **iGo, Inc.**, Scottsdale, AZ (US)

(\*\*) Term: **14 Years**

(21) Appl. No.: **29/339,683**

(22) Filed: **Jul. 6, 2009**

(51) **LOC (9) Cl.** ..... **13-03**

(52) **U.S. Cl.** ..... **D13/133**

(58) **Field of Classification Search** ..... D13/133,  
D13/146, 147, 151, 154, 184, 199; 439/246,  
439/252, 306, 476.1, 578, 580, 583, 584,  
439/585, 805; 174/75 C

See application file for complete search history.

(56) **References Cited**

**U.S. PATENT DOCUMENTS**

D287,239	S	*	12/1986	Komatsu	.....	D13/133
4,778,240	A	*	10/1988	Komatsu	.....	385/88
D312,613	S	*	12/1990	Shichida	.....	D13/133
D312,614	S	*	12/1990	Amachi et al.	.....	D13/133
D318,718	S	*	7/1991	Blatt	.....	D23/262
D381,628	S	*	7/1997	Ashida	.....	D13/147

D413,301	S	*	8/1999	Goto et al.	.....	D13/133
D422,558	S	*	4/2000	Reiss	.....	D13/133
D434,377	S	*	11/2000	Bussett et al.	.....	D13/133

\* cited by examiner

*Primary Examiner*—Daniel D Bui

*Assistant Examiner*—Thomas J Johannes

(74) *Attorney, Agent, or Firm*—Snell & Wilmer

(57) **CLAIM**

The ornamental design for the male connector, as shown and described.

**DESCRIPTION**

FIG. 1 is a top perspective view of a male connector showing my new design;

FIG. 2 is a first side view thereof;

FIG. 3 is a second side view thereof;

FIG. 4 is a front view thereof;

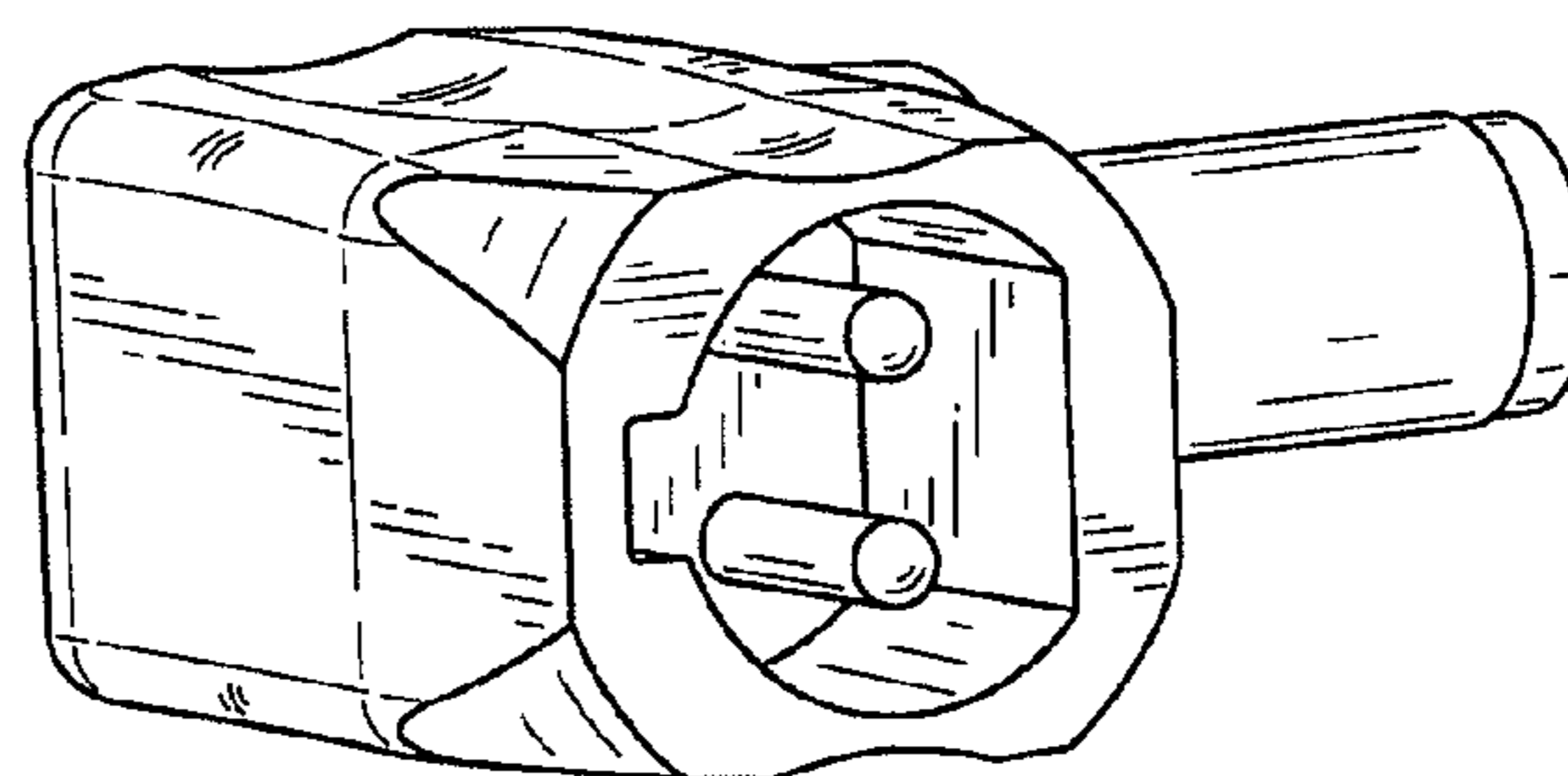
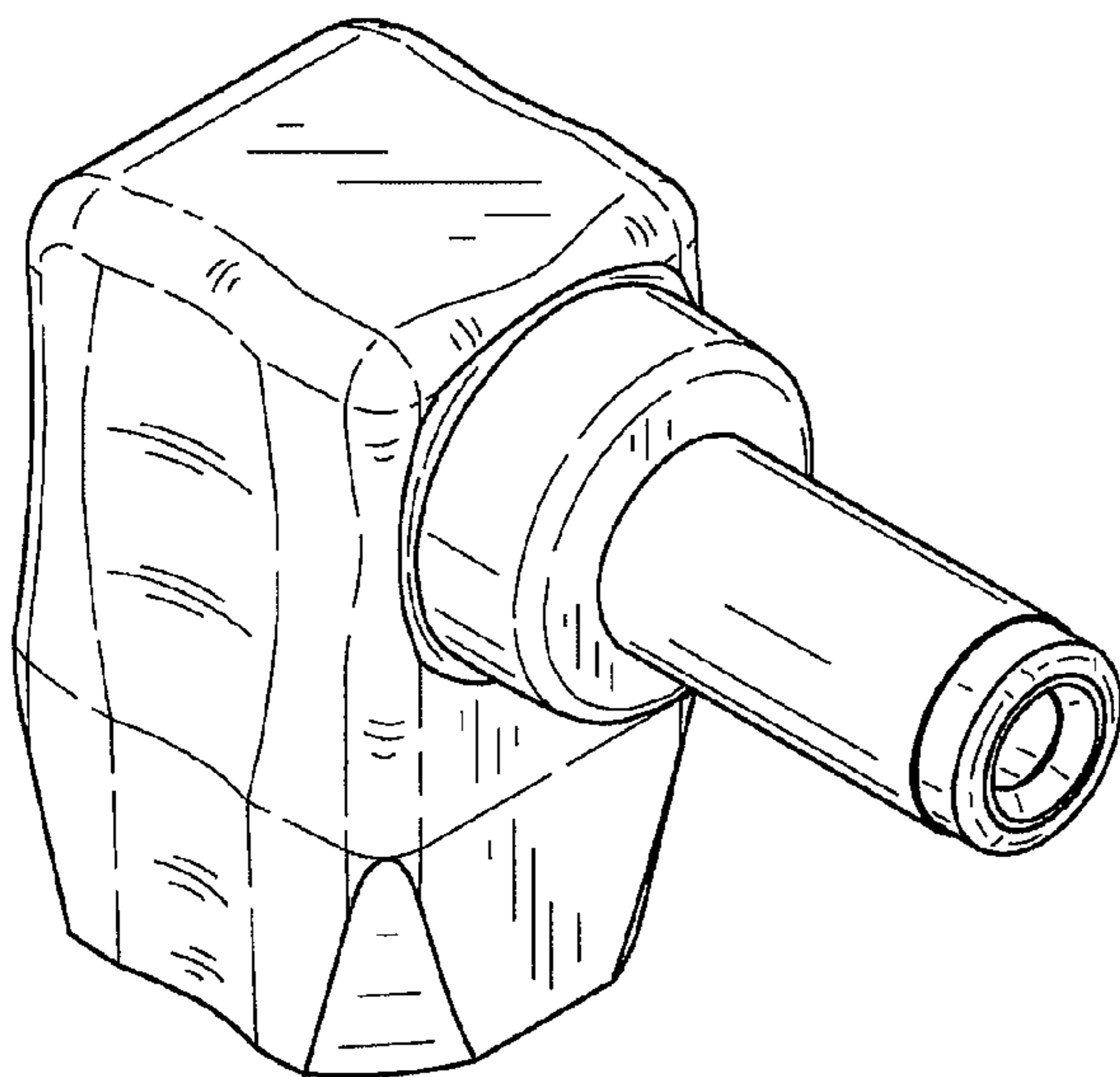
FIG. 5 is a back view thereof;

FIG. 6 is a top view thereof;

FIG. 7 is a bottom view thereof; and,

FIG. 8 is a bottom perspective view thereof.

**1 Claim, 5 Drawing Sheets**



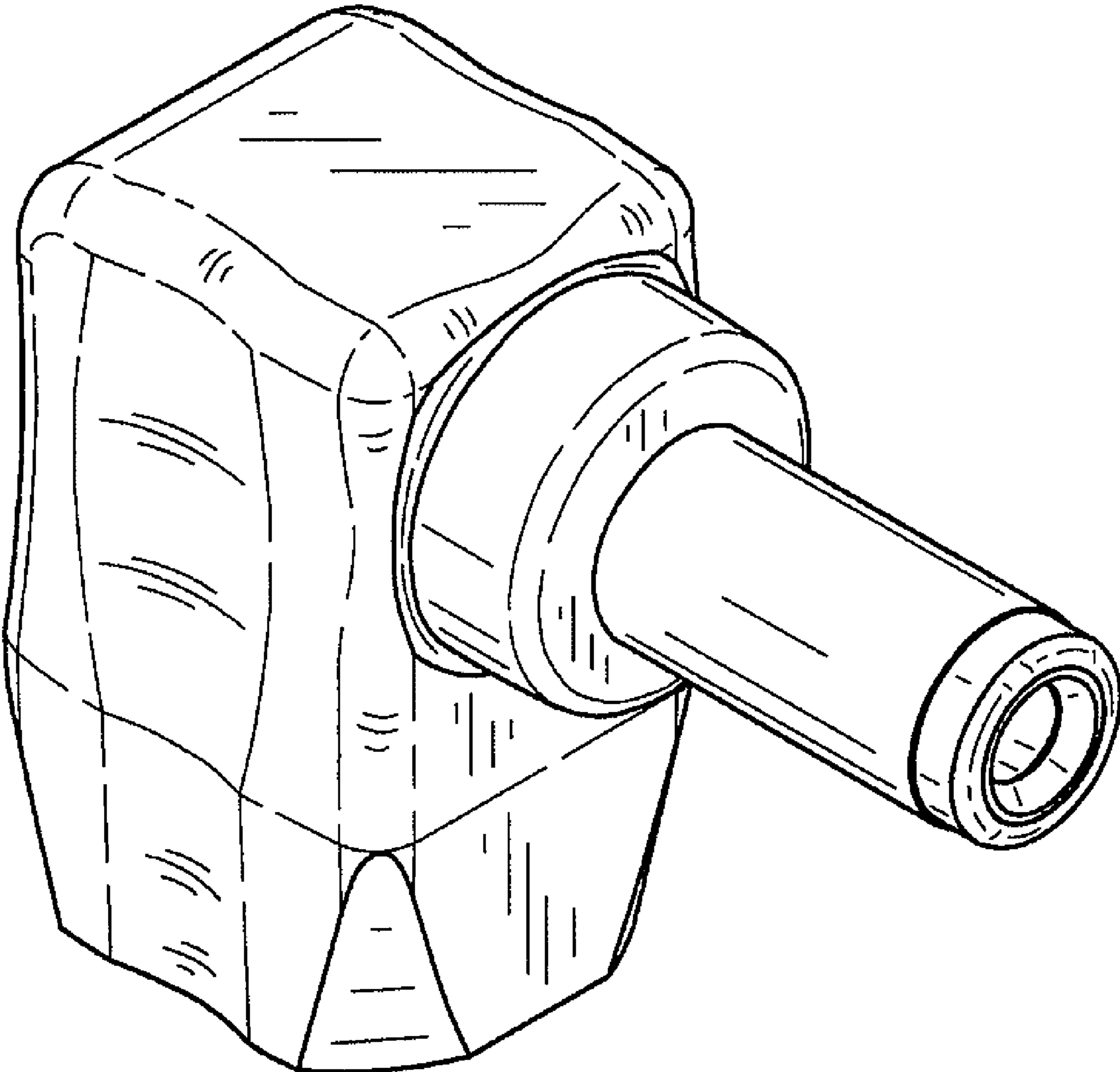


FIG. 1

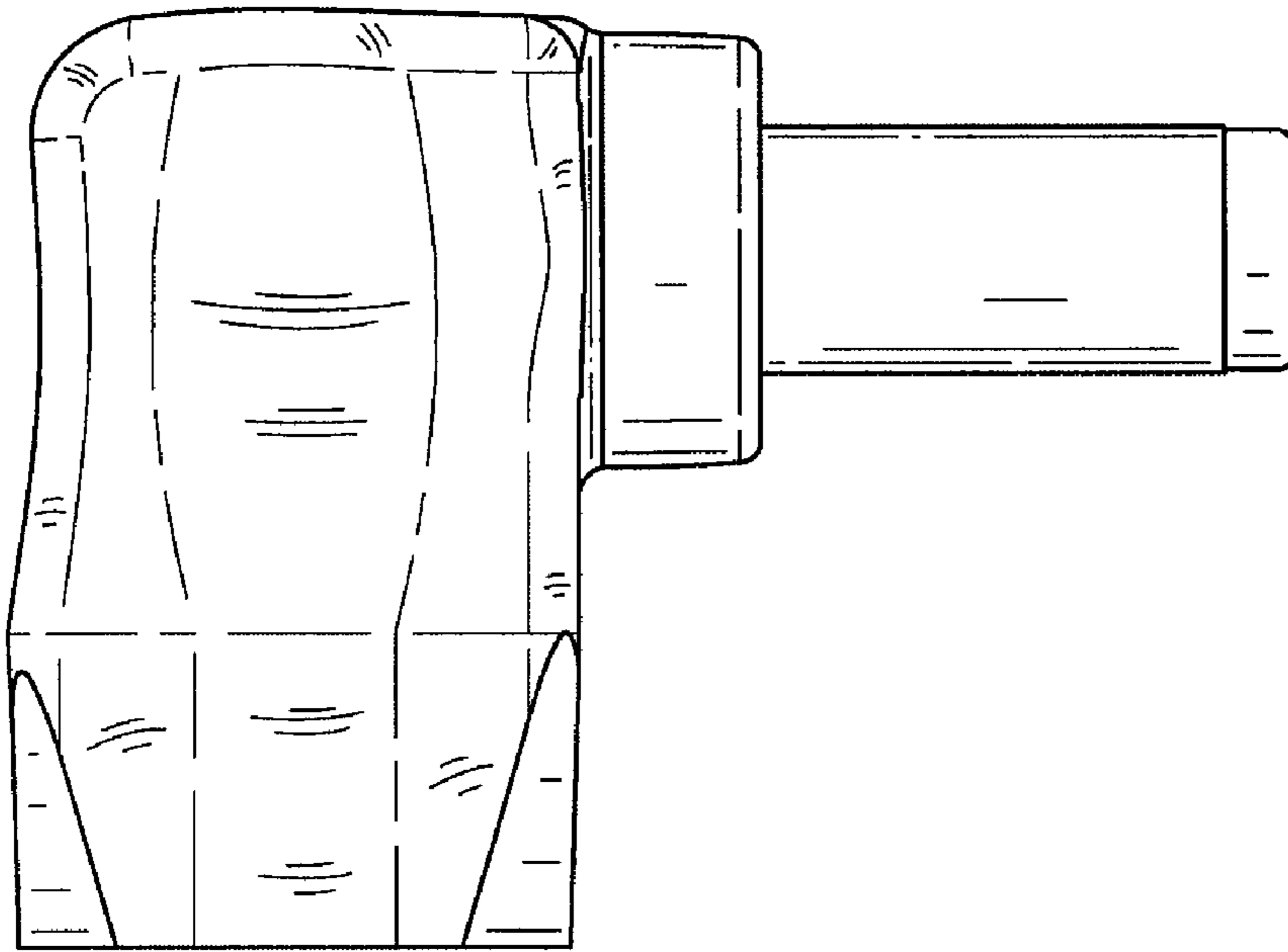


FIG. 2

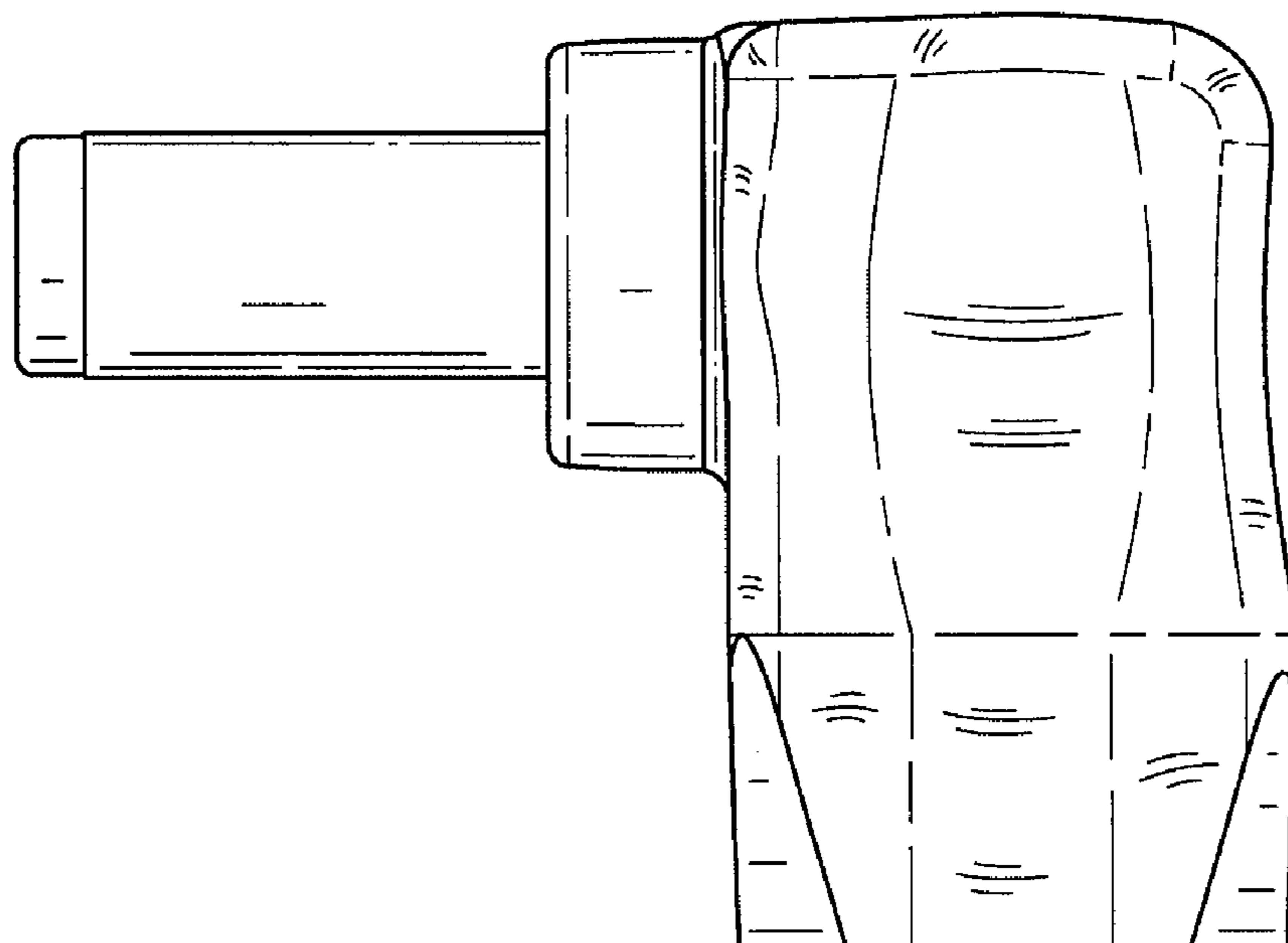


FIG. 3

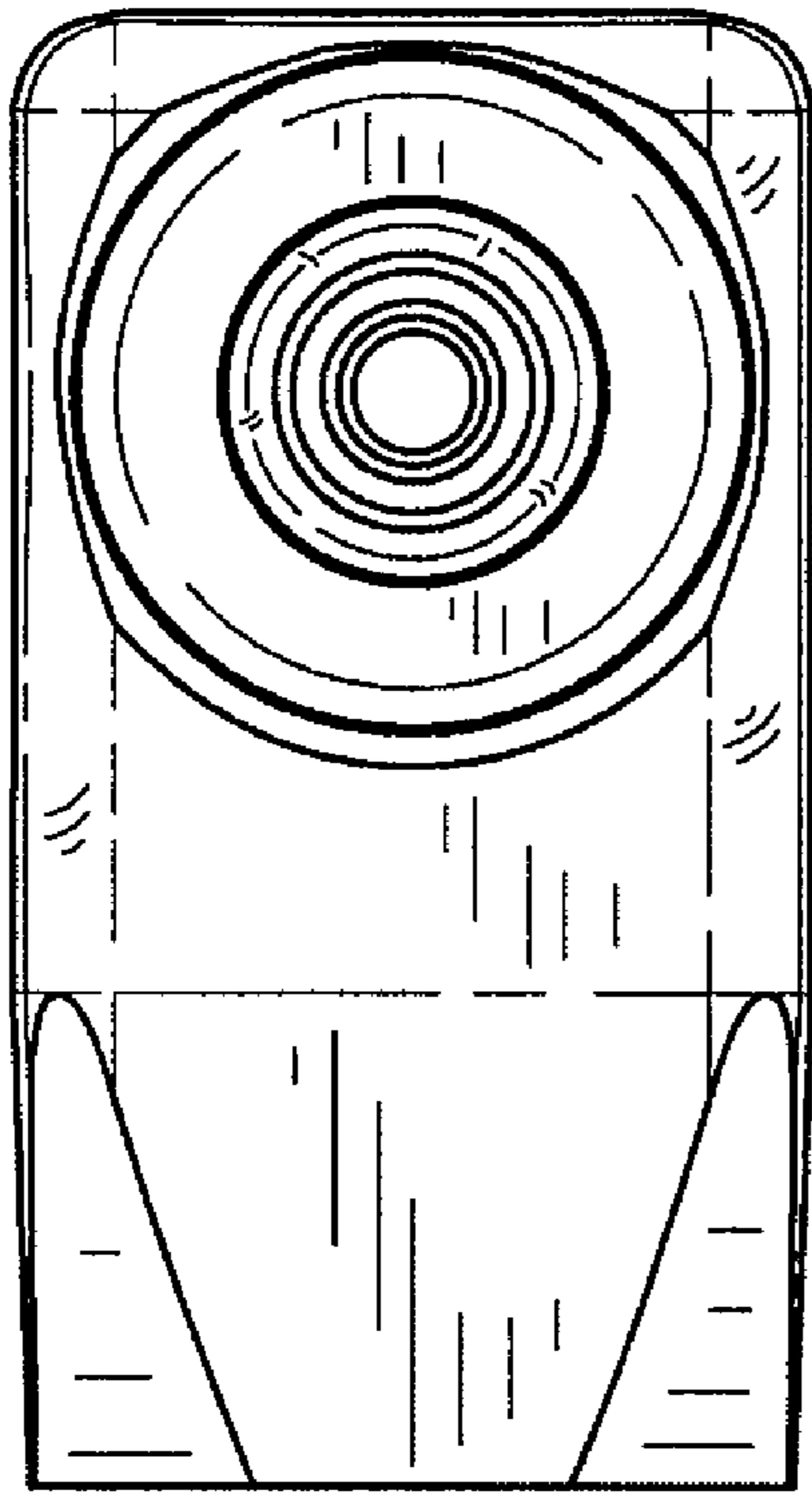


FIG.4

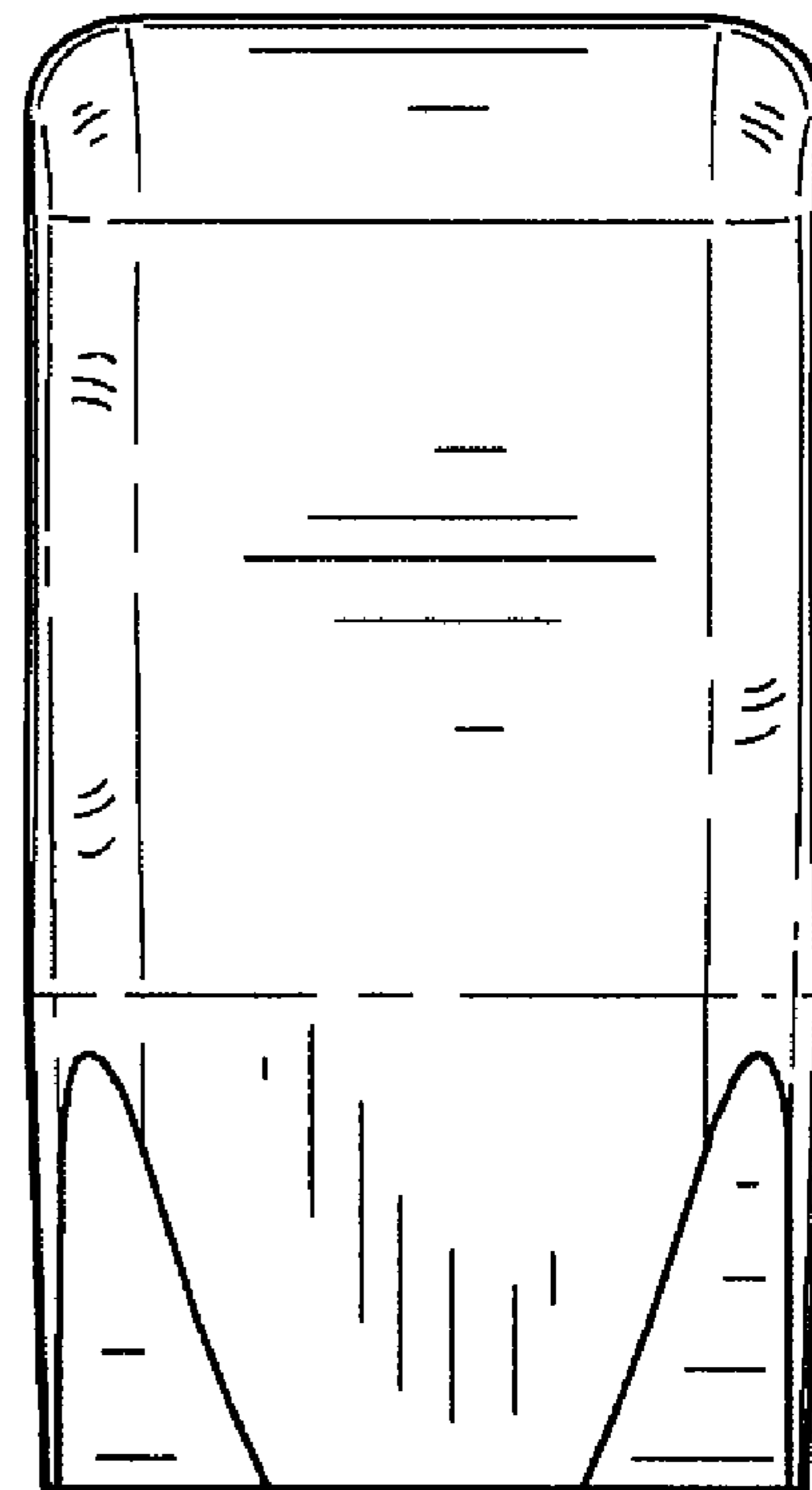


FIG.5

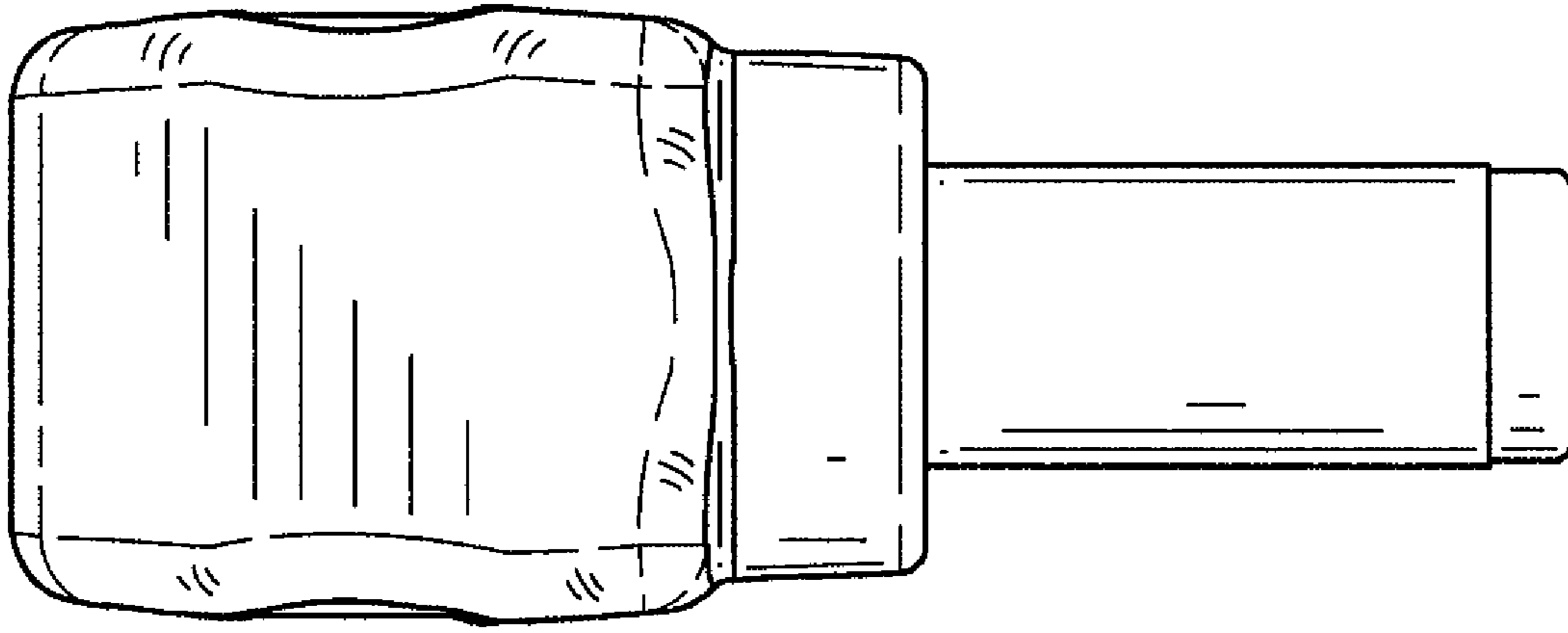


FIG. 6

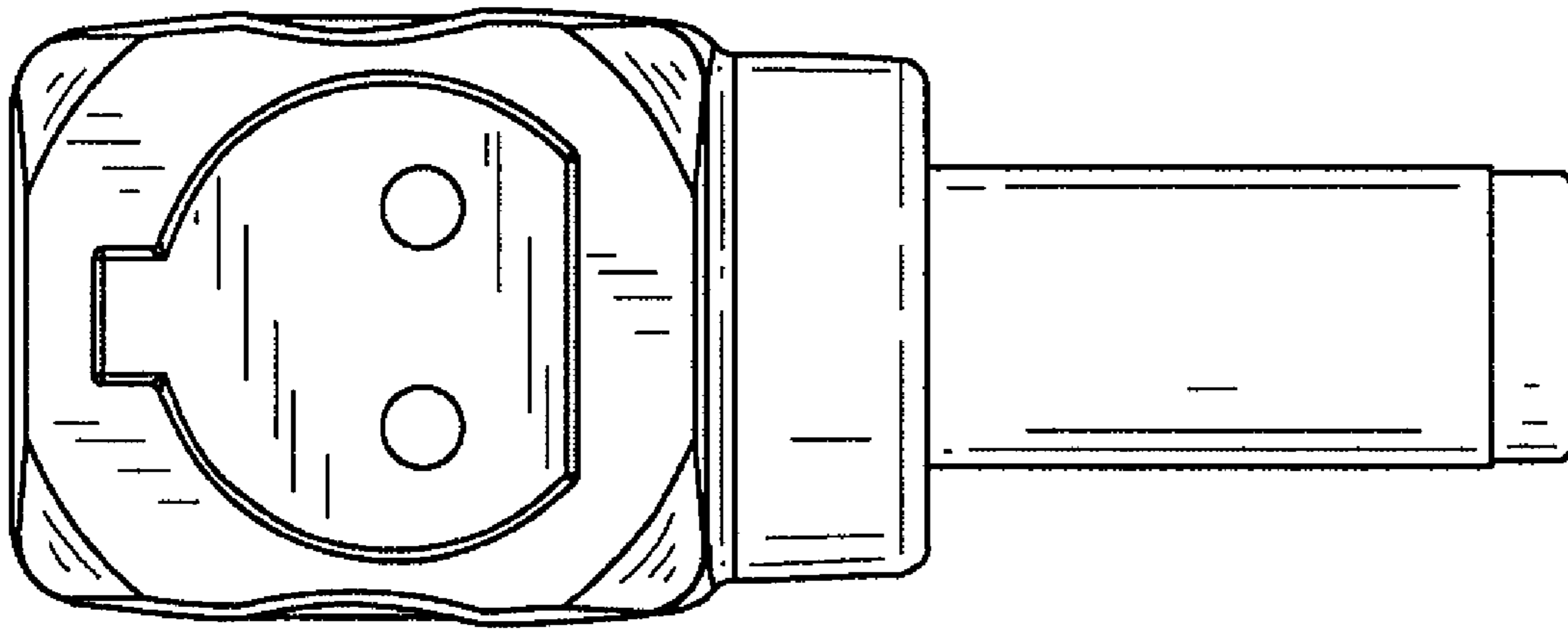


FIG. 7

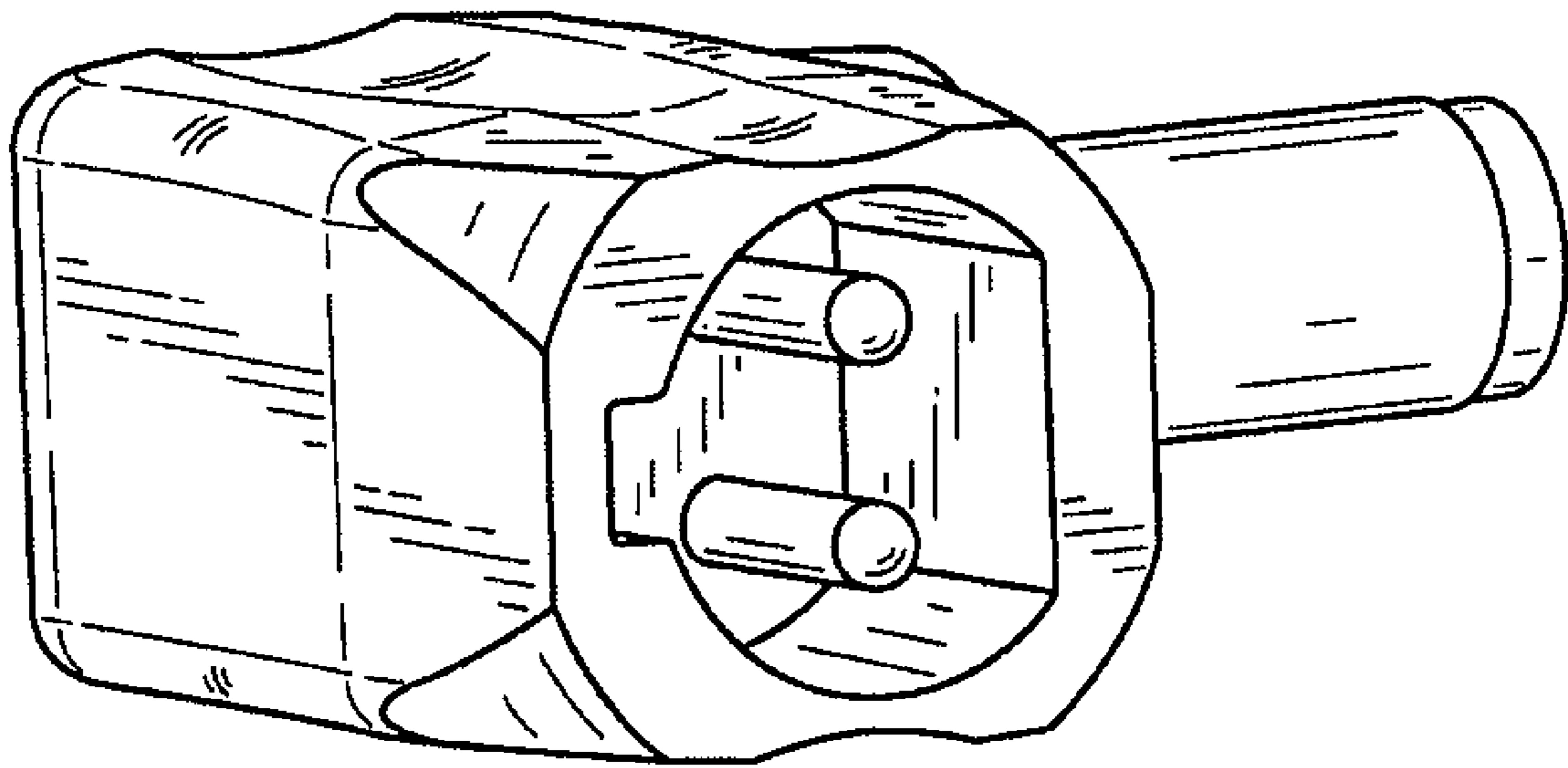


FIG. 8