



US00D616819S

(12) **United States Design Patent**  
**Ohara et al.**

(10) **Patent No.:** **US D616,819 S**  
(45) **Date of Patent:** **\*\* \*Jun. 1, 2010**

(54) **SEPARATOR FOR FUEL CELL**

4,109,434 A 8/1978 Katzin  
D273,860 S 5/1984 Bolt

(75) Inventors: **Hideo Ohara**, Katano (JP); **Masaaki Miyoshi**, Osu (JP); **Hikaru Murakami**, Saijo (JP); **Kazuhito Hatoh**, Osaka (JP)

(Continued)

**FOREIGN PATENT DOCUMENTS**

(73) Assignee: **Panasonic Corporation**, Kadoma-shi (JP)

JP 9-134734 A 5/1997

(\*\*) Term: **14 Years**

(Continued)

**OTHER PUBLICATIONS**

(21) Appl. No.: **29/319,430**

U.S. Office Action dated Jun. 11, 2008, issued in parent U.S. Appl. No. 29/217,516, filed Nov. 17, 2004.

(22) Filed: **Jun. 9, 2008**

(Continued)

**Related U.S. Application Data**

(62) Division of application No. 29/217,516, filed on Nov. 17, 2004, now Pat. No. Des. 585,826.

*Primary Examiner*—Prabhakar Deshmukh

*Assistant Examiner*—Derrick Holland

(74) *Attorney, Agent, or Firm*—Christensen O'Connor Johnson Kindness PLLC

(30) **Foreign Application Priority Data**

Jun. 24, 2004	(JP)	.....	2004-018899
Jun. 24, 2004	(JP)	.....	2004-018900
Jun. 24, 2004	(JP)	.....	2004-018901
Jun. 24, 2004	(JP)	.....	2004-018902
Jun. 24, 2004	(JP)	.....	2004-018903
Jun. 24, 2004	(JP)	.....	2004-018904
Jun. 24, 2004	(JP)	.....	2004-018905
Jun. 24, 2004	(JP)	.....	2004-018906

(57) **CLAIM**

The ornamental design for a separator for fuel cell, as shown and described.

(51) **LOC (9) Cl.** ..... **13-01**

(52) **U.S. Cl.** ..... **D13/122**

(58) **Field of Classification Search** ..... D13/118, D13/100, 101, 103, 199; D21/494; D25/102, D25/113, 118, 138; 29/623, 623.1; 204/242, 204/254–257; 429/19, 30–39, 99, 100

See application file for complete search history.

**DESCRIPTION**

FIG. 1 is a perspective view of top, front and right side of a separator for fuel cell showing our new design;

FIG. 2 is a left side view thereof, the right side view is identical thereof;

FIG. 3 is a front view thereof;

FIG. 4 is a rear view thereof;

FIG. 5 is a top plan view thereof, the bottom view is identical thereof; and,

FIG. 6 is a partially enlarged view thereof.

The portions of the article in broken lines are shown for illustrative purposes only and form no part of the claimed design.

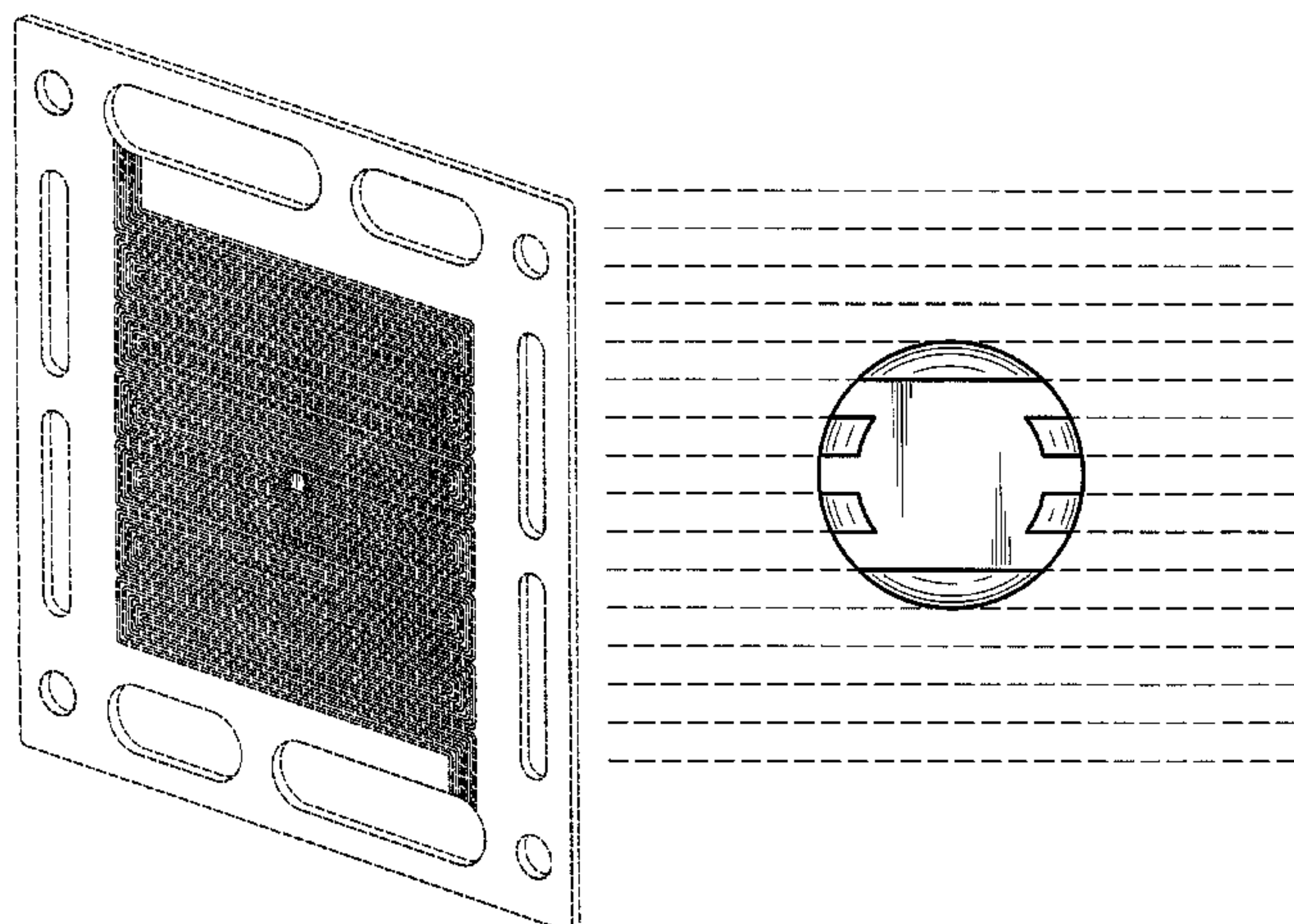
(56) **References Cited**

**U.S. PATENT DOCUMENTS**

3,262,083 A 7/1966 Gooding

3,367,063 A 2/1968 Bondesen

**1 Claim, 4 Drawing Sheets**



# US D616,819 S

Page 2

## U.S. PATENT DOCUMENTS

4,487,989 A 12/1984 Wakefield  
4,609,595 A \* 9/1986 Nickols ..... 429/35  
4,895,774 A 1/1990 Ohzu  
4,910,100 A 3/1990 Nakanishi  
4,977,041 A \* 12/1990 Shiozawa et al. .... 429/26  
D317,210 S 5/1991 Rodriguez  
5,108,849 A 4/1992 Watkins  
5,342,706 A \* 8/1994 Marianowski et al. .... 429/35  
5,399,442 A 3/1995 Shundo  
D373,203 S 8/1996 Kornfalt  
5,563,003 A 10/1996 Suzuki  
5,772,038 A 6/1998 Murata  
5,998,055 A \* 12/1999 Kurita et al. .... 429/34  
D431,524 S 10/2000 Sugita  
D432,495 S 10/2000 Sugita  
6,216,406 B1 4/2001 Hauser  
6,245,453 B1 6/2001 Iwase

D454,215 S 3/2002 Nelson  
6,426,160 B1 7/2002 Hagino  
6,494,926 B1 \* 12/2002 Saito et al. .... 29/623.1  
6,599,651 B1 \* 7/2003 Saitou et al. .... 429/34  
D478,360 S 8/2003 Manville  
6,607,857 B2 8/2003 Blunk  
6,749,959 B2 \* 6/2004 Nakata et al. .... 429/34  
D585,826 S 2/2009 Ohara

## FOREIGN PATENT DOCUMENTS

JP 2000-48849 A 2/2000

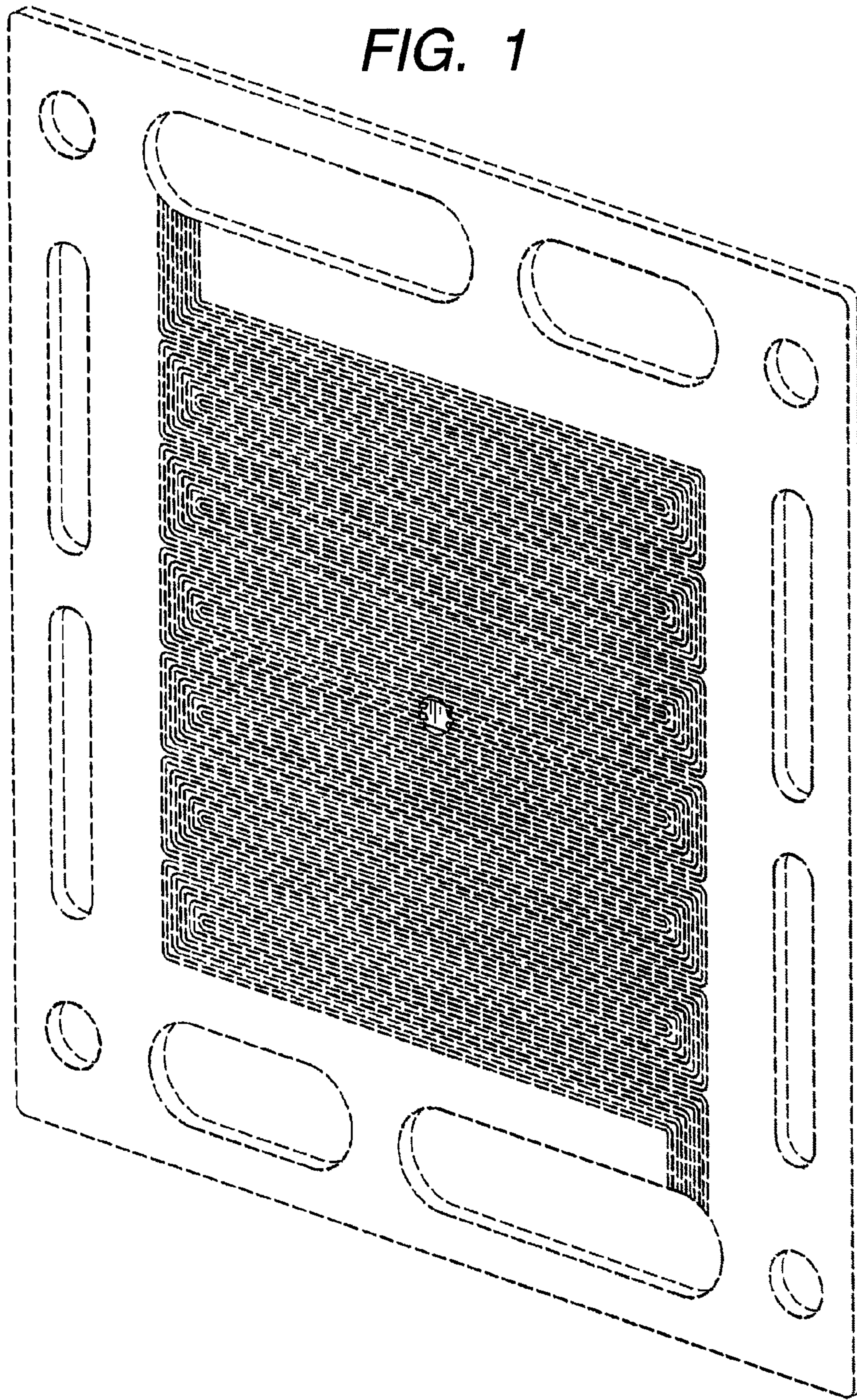
## OTHER PUBLICATIONS

Notice of Allowance dated Jul. 29, 2009, from U.S. Appl. No. 29/319,428, filed Jun. 9, 2008.

Notice of Allowance dated Aug. 6, 2009, from U.S. Appl. No. 29/319,429, filed Jun. 9, 2008.

\* cited by examiner





**FIG. 2**





*FIG. 3*

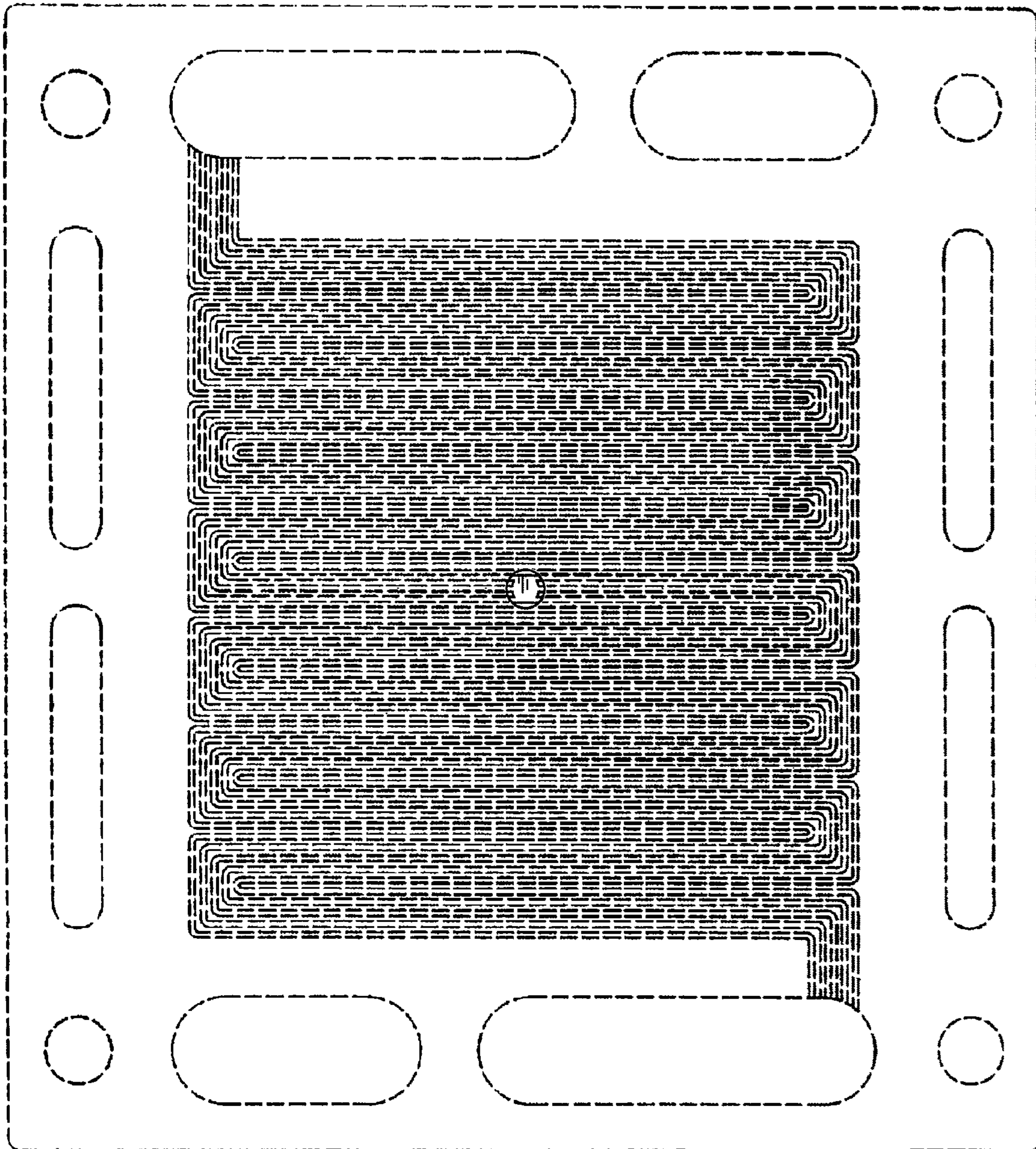
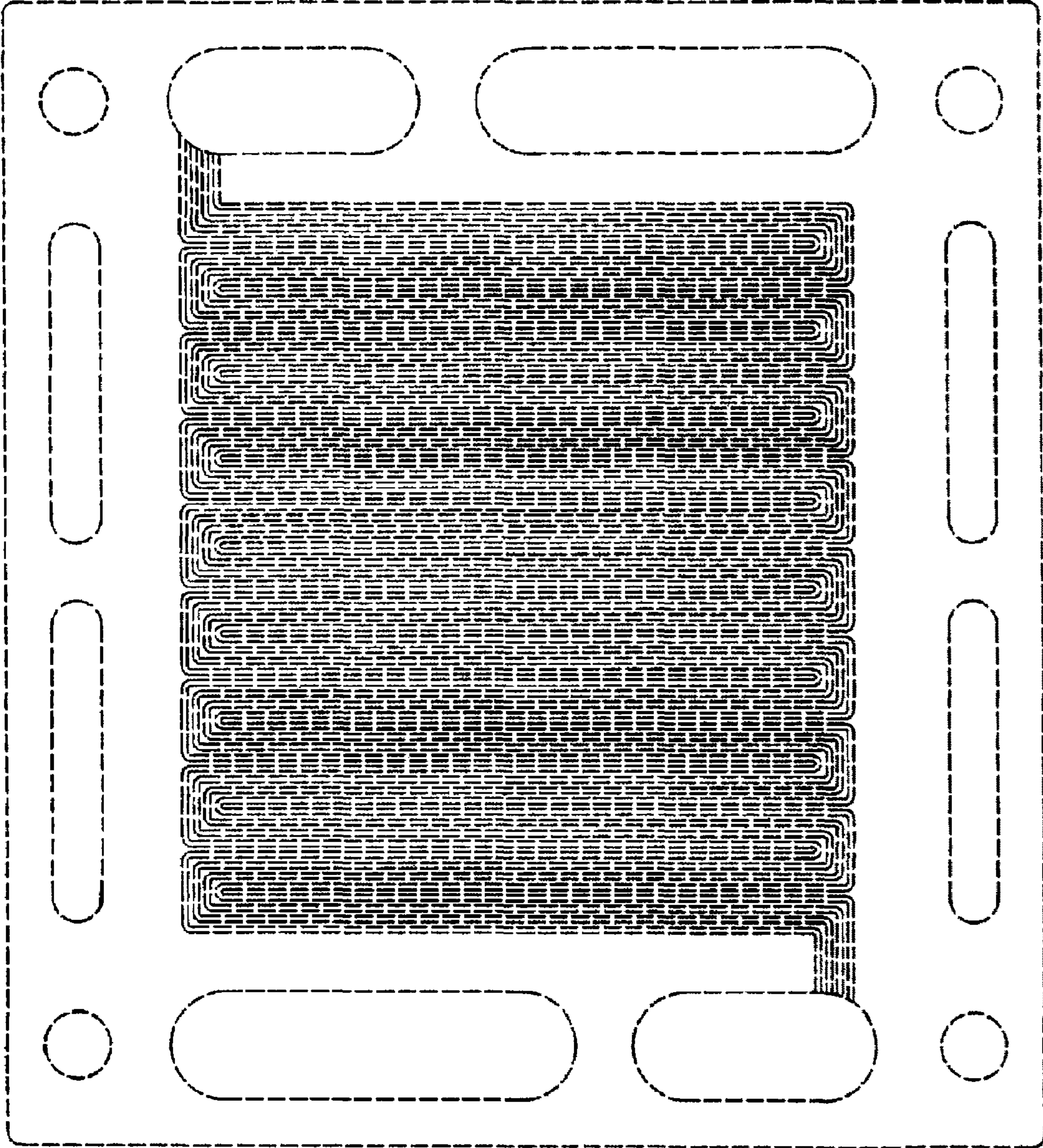
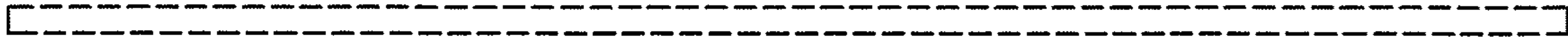


FIG. 4



*FIG. 5*



*FIG. 6*

