



US00D616818S

(12) **United States Design Patent**
Ishizuka et al.

(10) **Patent No.:** **US D616,818 S**
(45) **Date of Patent:** **** Jun. 1, 2010**

(54) **STATOR FOR A VEHICLE ROTARY ELECTRIC MACHINE**

(75) Inventors: **Atsuo Ishizuka**, Nagoya (JP); **Shinji Kouda**, Kariya (JP); **Shinichi Ogawa**, Obu (JP)

(73) Assignee: **DENSO CORPORATION**, Kariya (JP)

(**) Term: **14 Years**

(21) Appl. No.: **29/309,963**

(22) Filed: **Nov. 20, 2008**

(30) **Foreign Application Priority Data**

May 28, 2008	(JP)	2008-013428
May 28, 2008	(JP)	2008-013429
May 28, 2008	(JP)	2008-013430
Jun. 13, 2008	(JP)	2008-015235
Jun. 13, 2008	(JP)	2008-015236

(51) **LOC (9) Cl.** **13-01**

(52) **U.S. Cl.** **D13/122; D13/118**

(58) **Field of Classification Search** D15/5;
D13/122, 118, 199; 29/596, 732, 735, 736;
310/49, 68 B, 201, 263, 264

See application file for complete search history.

(56) **References Cited**

U.S. PATENT DOCUMENTS

4,741,098	A *	5/1988	Barrera	29/736
5,113,573	A *	5/1992	Taji et al.	29/596
D425,857	S *	5/2000	Umeda et al.	D13/118
D448,343	S *	9/2001	Asao et al.	D13/122
D466,477	S *	12/2002	Oohashi et al.	D13/118
D467,870	S *	12/2002	Oohashi et al.	D13/118
D469,740	S *	2/2003	Oohashi et al.	D13/118

D476,295	S *	6/2003	Oohashi et al.	D13/118
7,135,793	B2 *	11/2006	Seguchi et al.	310/71
D596,121	S *	7/2009	Okamoto et al.	D13/122
2006/0103255	A1 *	5/2006	Seguchi et al.	310/201
2007/0018527	A1 *	1/2007	Neet	310/201
2007/0024249	A1 *	2/2007	Dooley	310/201
2009/0096313	A1 *	4/2009	Harada et al.	310/201
2009/0230807	A1 *	9/2009	Fubuki et al.	310/201
2009/0230808	A1 *	9/2009	Tatebe	310/201

* cited by examiner

Primary Examiner—Ian Simmons
Assistant Examiner—Wan Laymon

(74) *Attorney, Agent, or Firm*—Posz Law Group, PLC

(57) **CLAIM**

The ornamental design for a stator for a vehicle rotary electric machine, as shown.

DESCRIPTION

This application is also related to U.S. patent application Ser. No. 29/309,962 filed simultaneously on Nov. 20, 2008 with the present application and entitled “Stator for a Vehicle Rotary Electric Machine”.

FIG. 1 is a front perspective view of a stator for a vehicle rotary electric machine showing our new design;

FIG. 2 is a rear perspective view thereof;

FIG. 3 is a front view thereof;

FIG. 4 is a rear view thereof;

FIG. 5 is a top plan view thereof;

FIG. 6 is a bottom plan view thereof;

FIG. 7 is a right side view thereof; and,

FIG. 8 is a left side view thereof.

1 Claim, 8 Drawing Sheets

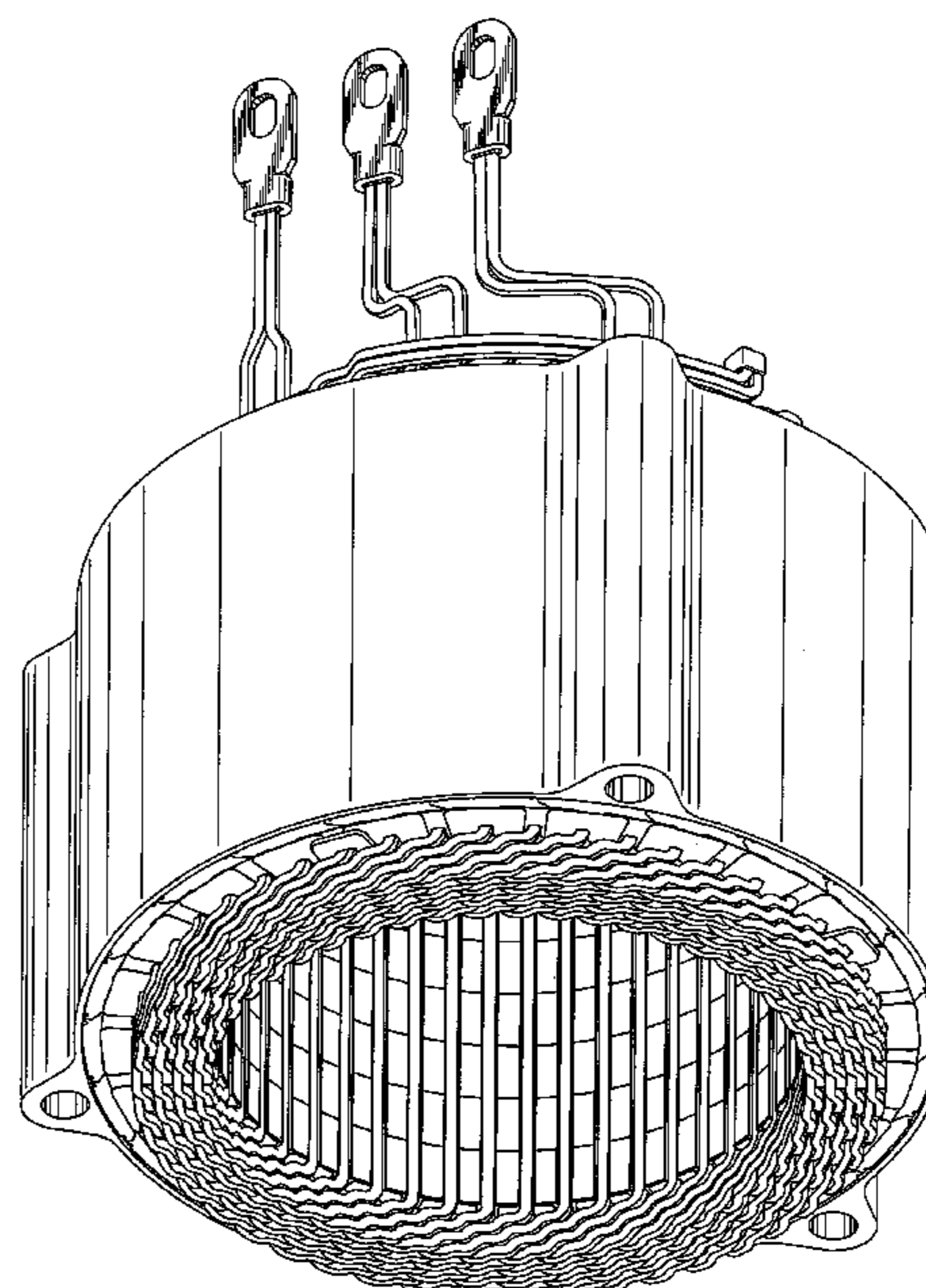
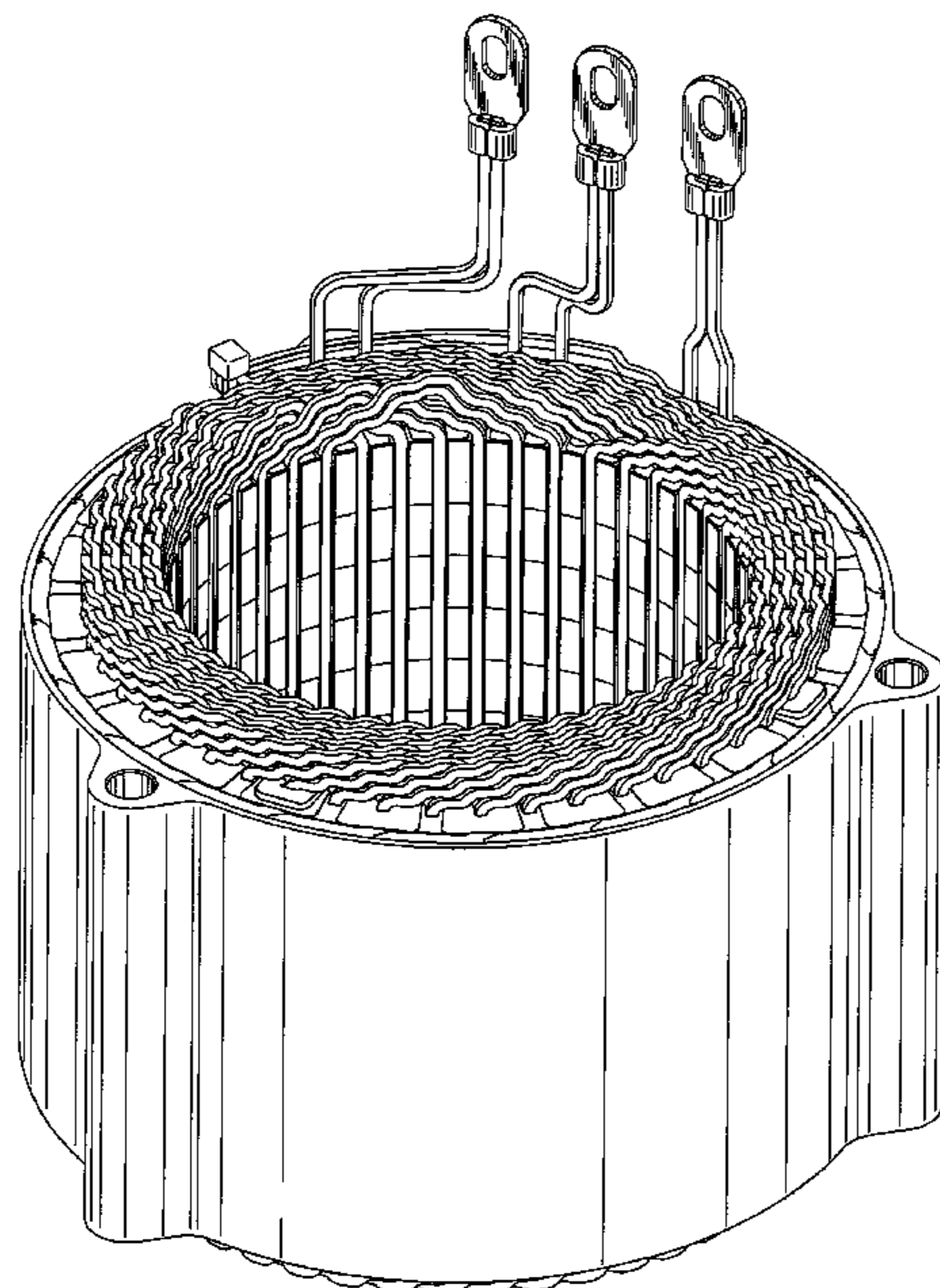


FIG. 1

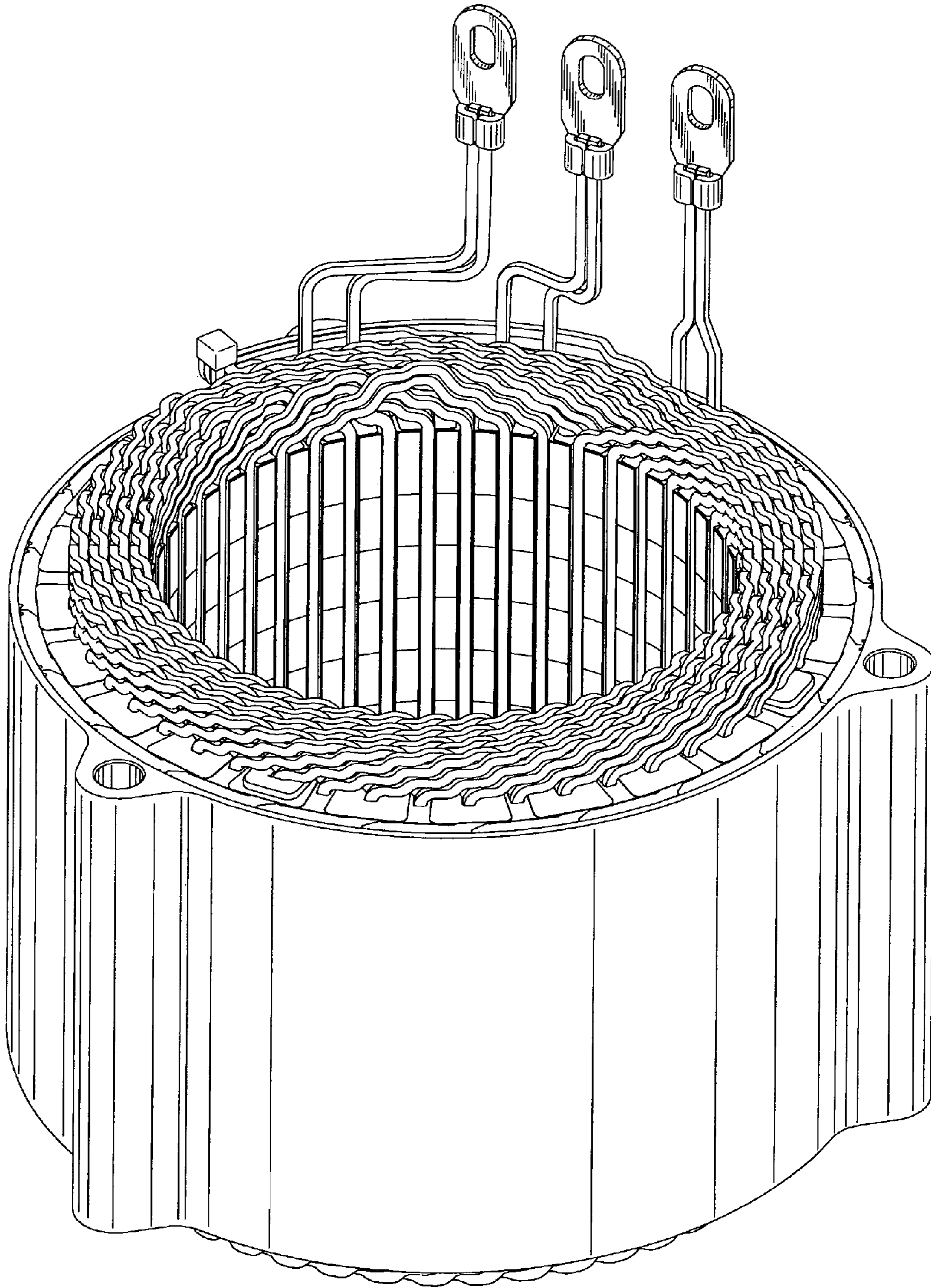


FIG. 2

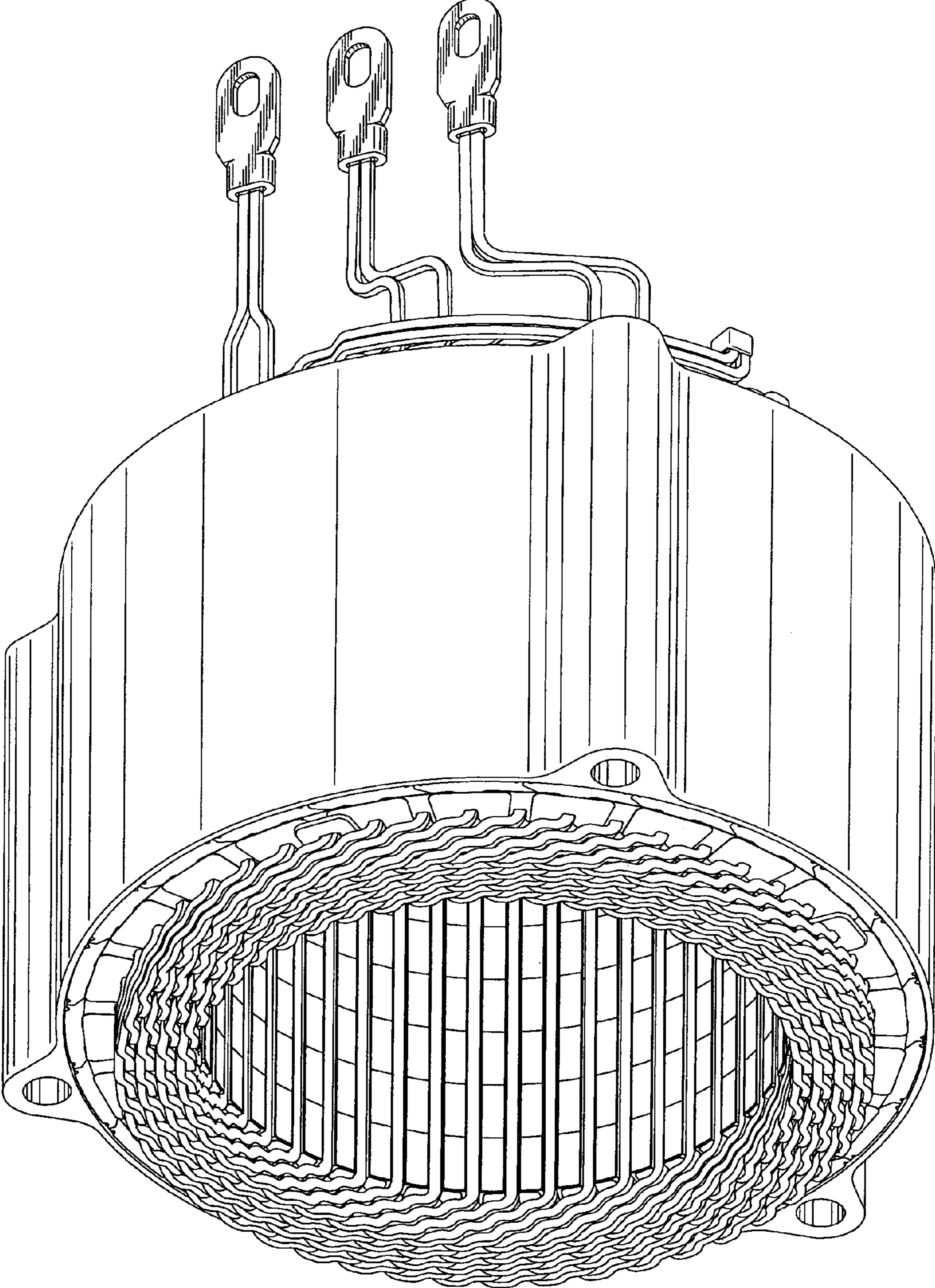


FIG. 3

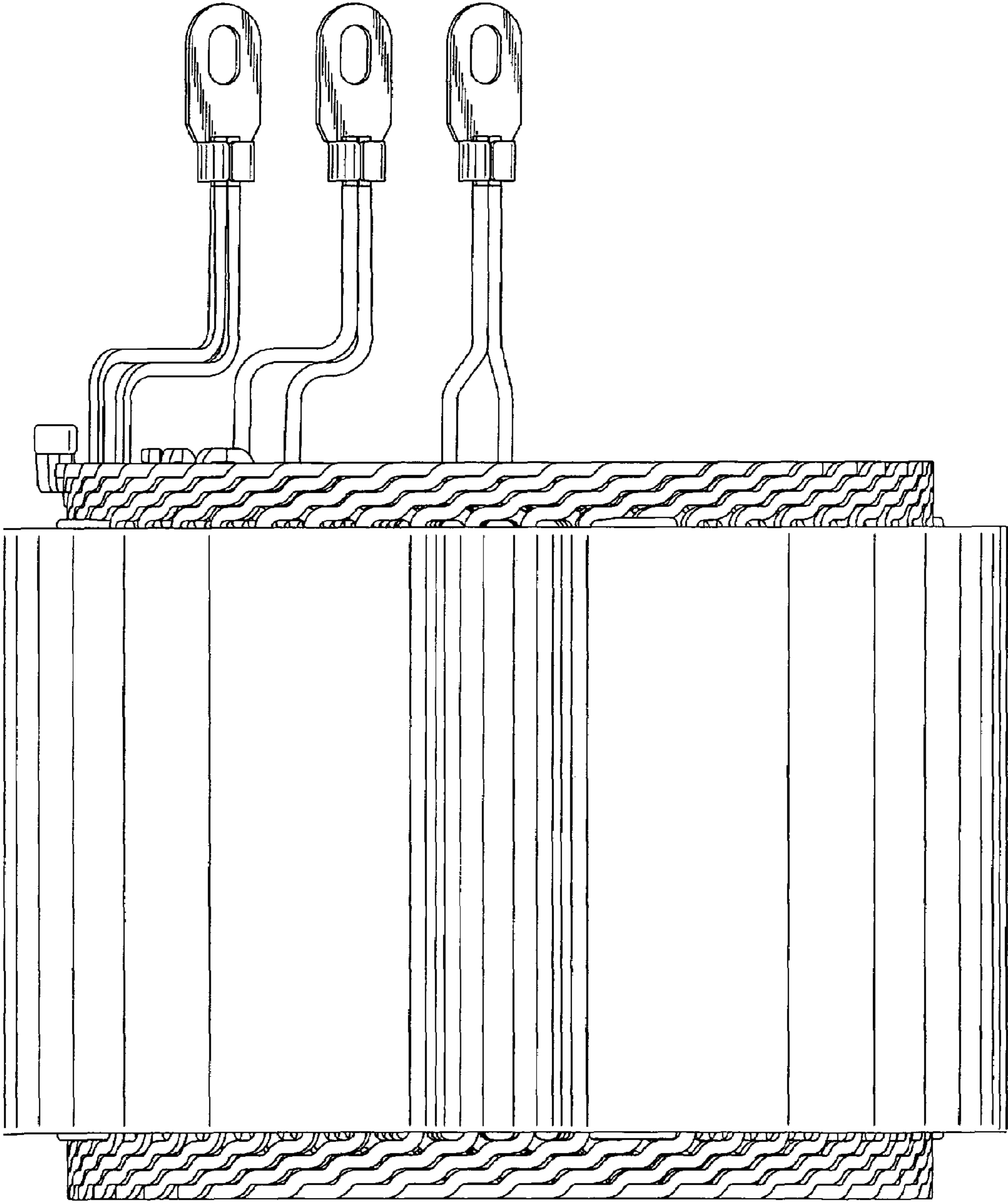


FIG. 4

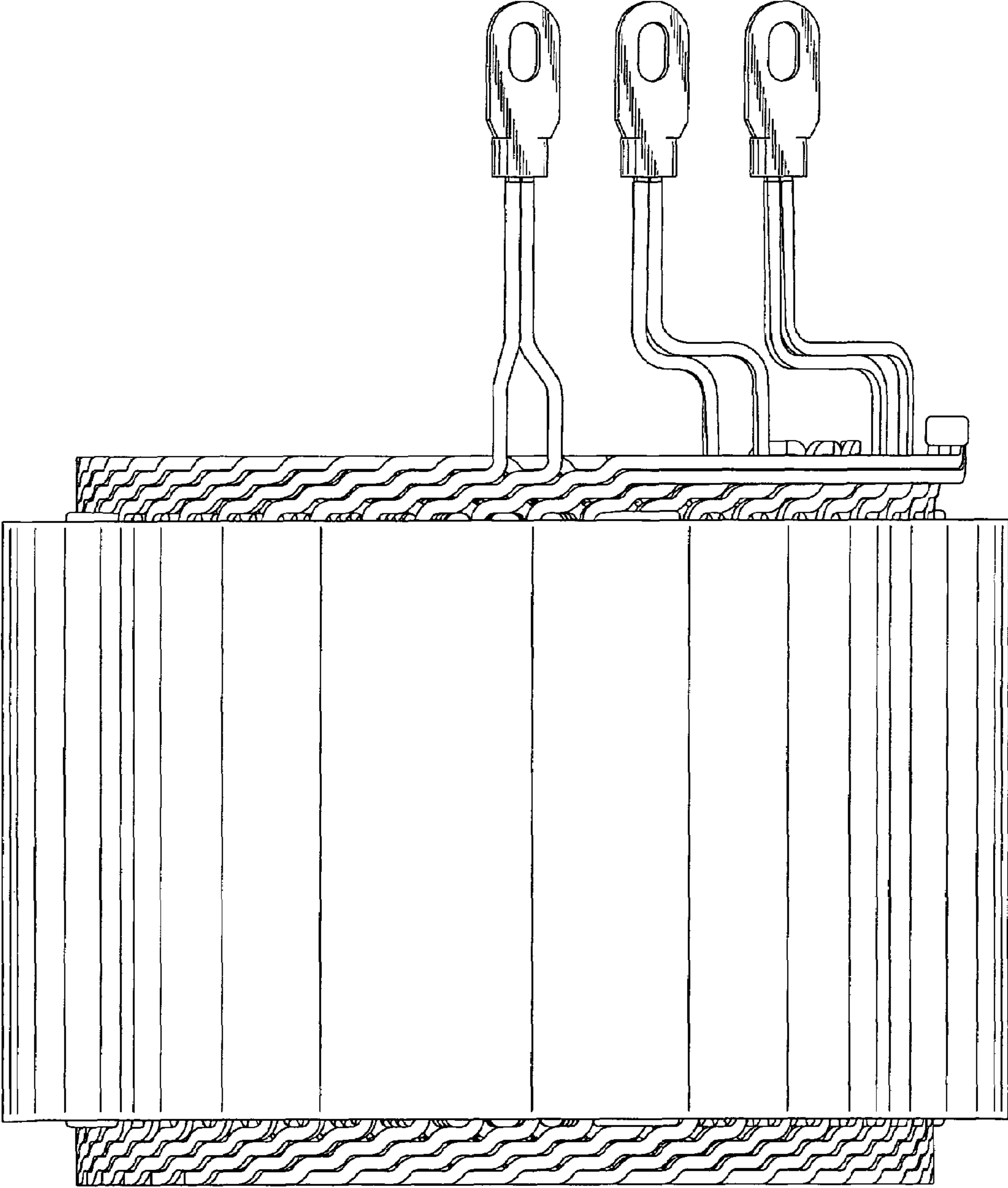


FIG. 5

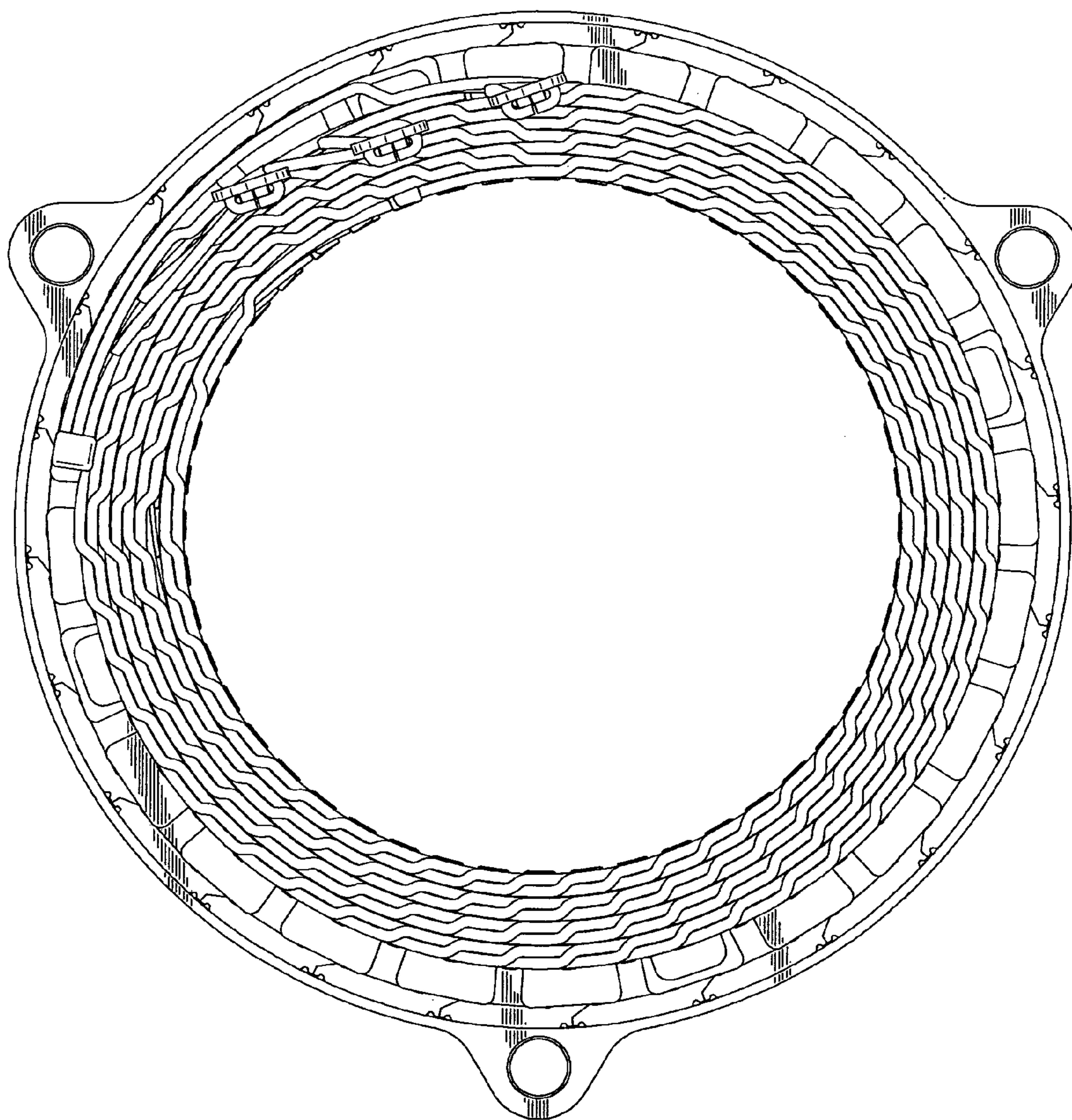


FIG. 6

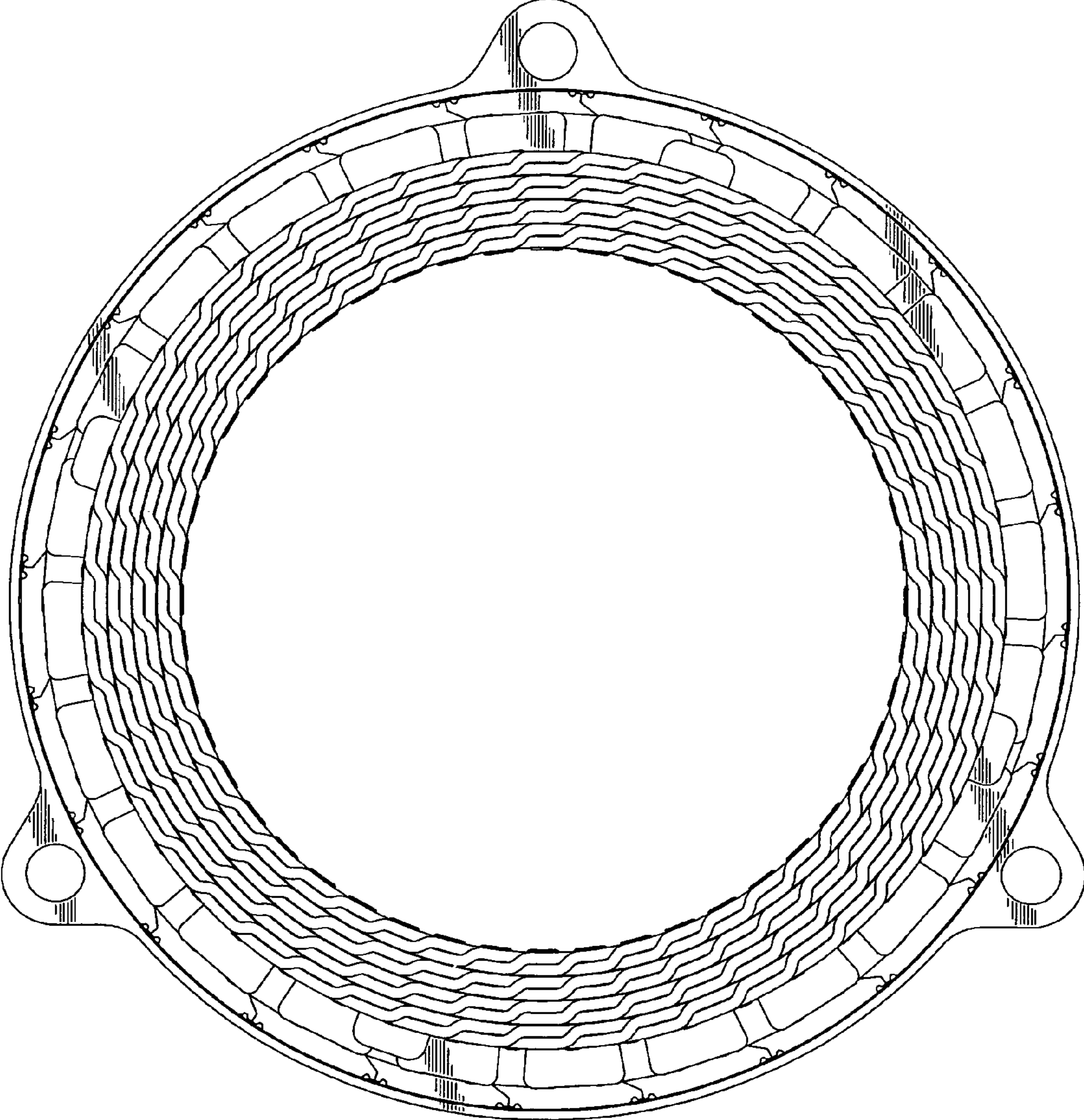


FIG. 7

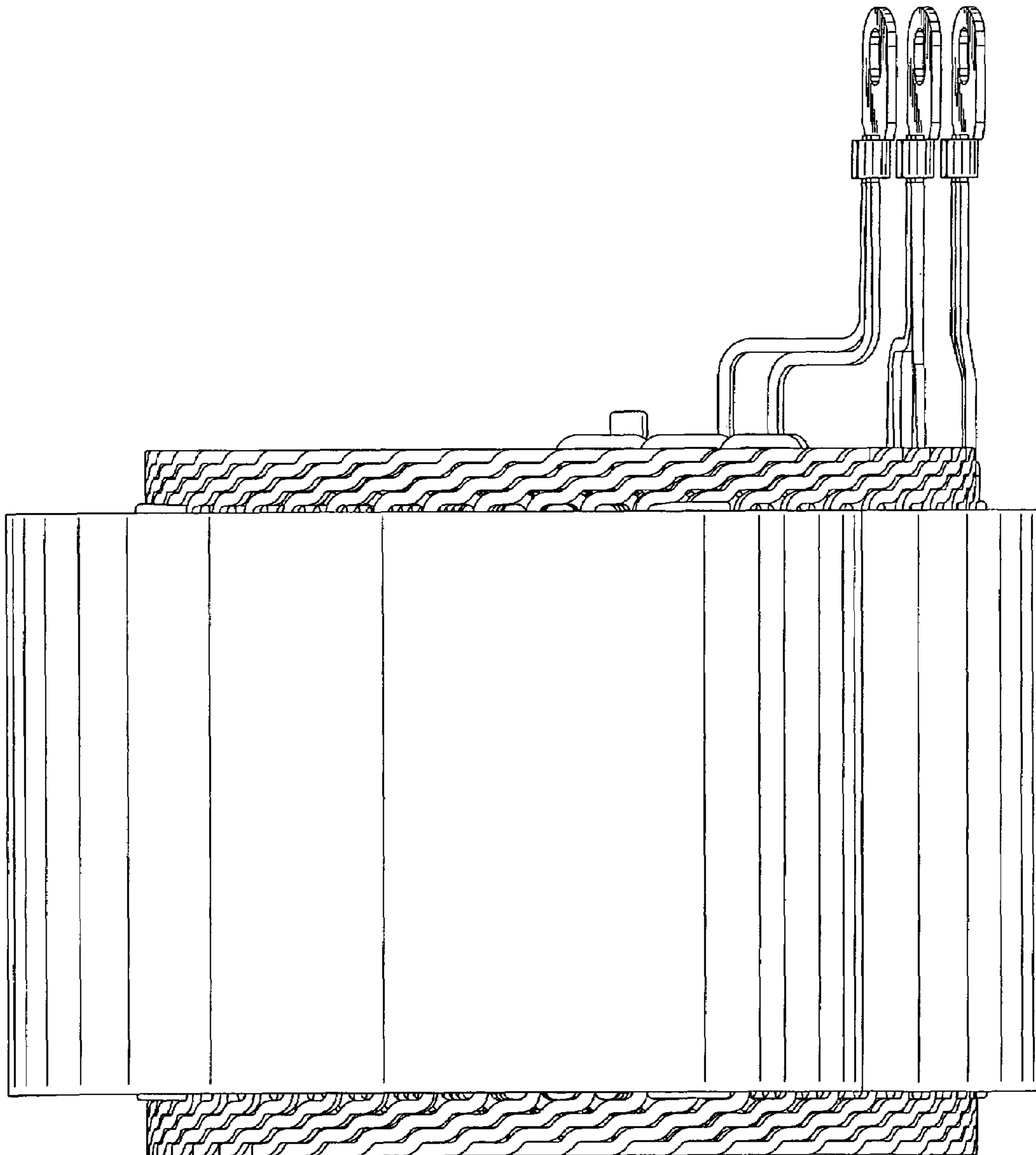


FIG. 8

