



US00D616817S

(12) **United States Design Patent**  
**Walker et al.**

(10) **Patent No.:** **US D616,817 S**  
(45) **Date of Patent:** **\*\* Jun. 1, 2010**

(54) **BATTERY CHARGER ADAPTER**  
(75) Inventors: **Douglas W. Walker**, Ventura, CA (US);  
**Brendalie Acosta**, Ventura, CA (US)  
(73) Assignee: **StrenuMed, Inc.**, Ventura, CA (US)

D383,443 S \* 9/1997 Nelson ..... D13/184  
D384,334 S \* 9/1997 Nelson ..... D13/184  
D384,335 S \* 9/1997 Nelson ..... D13/184  
D574,772 S \* 8/2008 Sutter ..... D13/133  
D585,025 S \* 1/2009 Kudo ..... D13/133  
D585,030 S \* 1/2009 Kudo ..... D13/147

(\*\*) Term: **14 Years**  
(21) Appl. No.: **29/335,074**  
(22) Filed: **Apr. 8, 2009**

\* cited by examiner  
*Primary Examiner*—Rosemary K Tarcza  
(74) *Attorney, Agent, or Firm*—Koppel, Patrick, Heybl &  
Dawson; Michael J. Ram

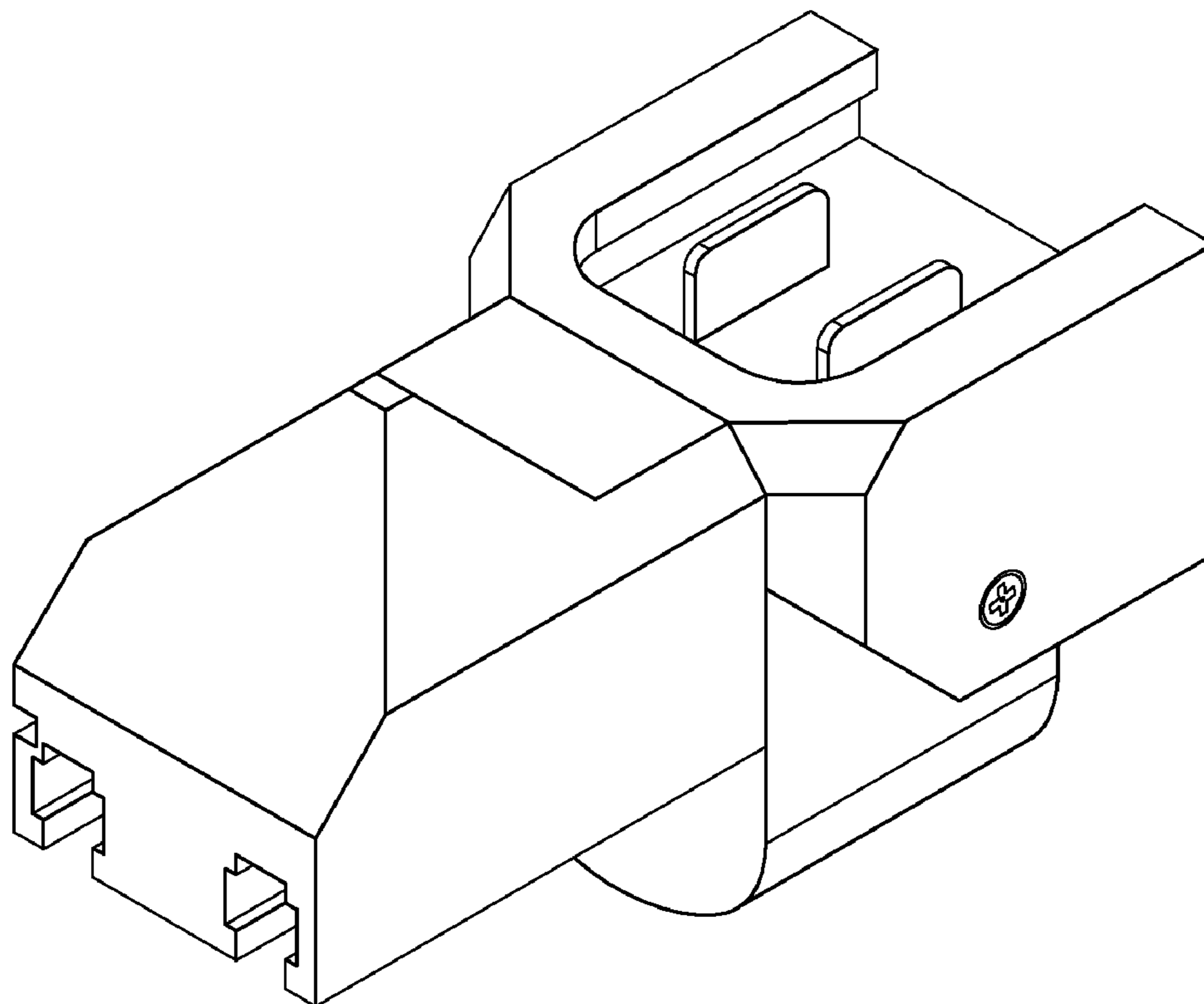
(51) **LOC (9) Cl.** ..... **13-03**  
(52) **U.S. Cl.** ..... **D13/119; D13/108**  
(58) **Field of Classification Search** ..... D13/103–108,  
D13/118–121, 133, 146–147, 184, 199; 439/83,  
439/108, 166, 500, 577, 630, 660, 680, 700,  
439/773.1, 862; D14/251, 253, 432, 434;  
320/107–115  
See application file for complete search history.

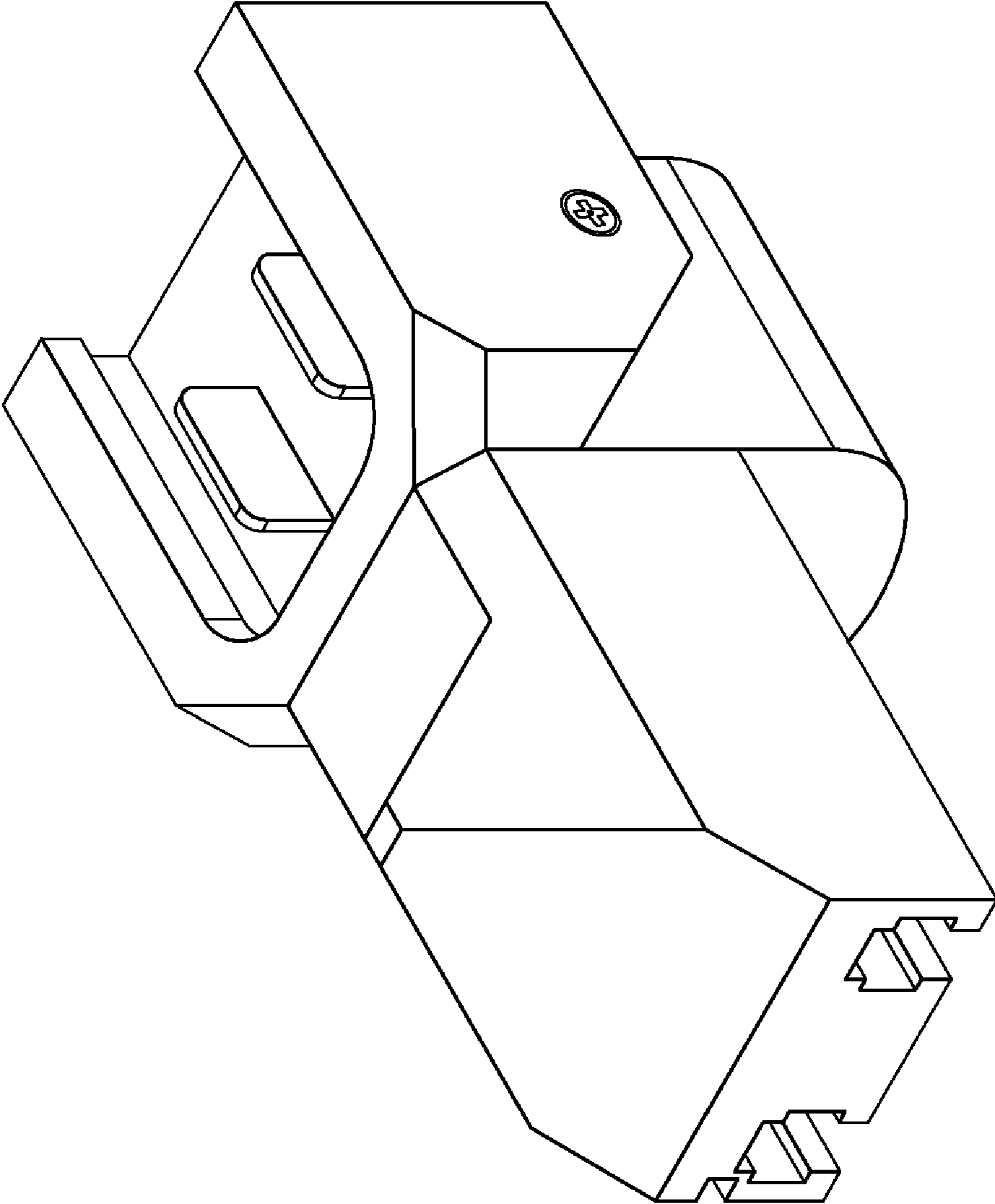
(57) **CLAIM**  
The ornamental design for a battery charger adapter, as shown  
and described.

(56) **References Cited**  
U.S. PATENT DOCUMENTS  
D308,512 S \* 6/1990 Endo et al. .... D13/133  
D316,077 S \* 4/1991 Takenouchi et al. .... D13/133  
D323,142 S \* 1/1992 Nagasaka et al. .... D13/133  
D323,143 S \* 1/1992 Ohkura et al. .... D13/133  
D323,316 S \* 1/1992 Ohkura et al. .... D13/133  
D324,026 S \* 2/1992 Ichida et al. .... D13/133  
D324,027 S \* 2/1992 Sueyoshi et al. .... D13/133  
D324,028 S \* 2/1992 Sueyoshi et al. .... D13/133

**DESCRIPTION**  
FIG. 1 is top perspective view of a battery charger adapter;  
FIG. 2 is a front side view of the battery charger adapter  
shown in FIG. 1, the rear side view being a mirror image  
thereof;  
FIG. 3 is a right end view of the battery charger adapter shown  
in FIG. 1;  
FIG. 4 is a left end view of the battery charger adapter shown  
in FIG. 1; and,  
FIG. 5 is a bottom view of the battery charger adapter shown  
in FIG. 1.

**1 Claim, 5 Drawing Sheets**





*FIG. 1*

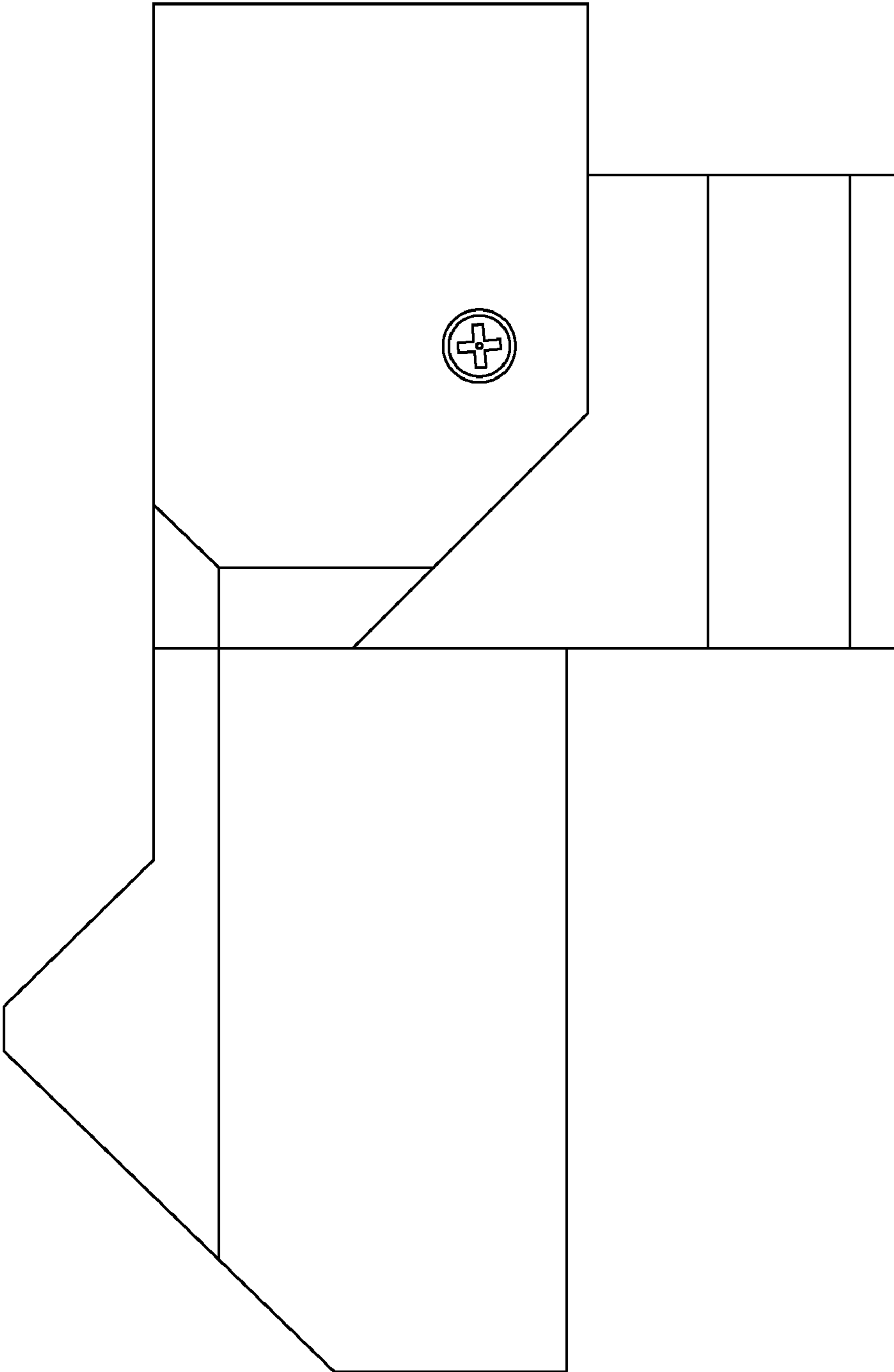
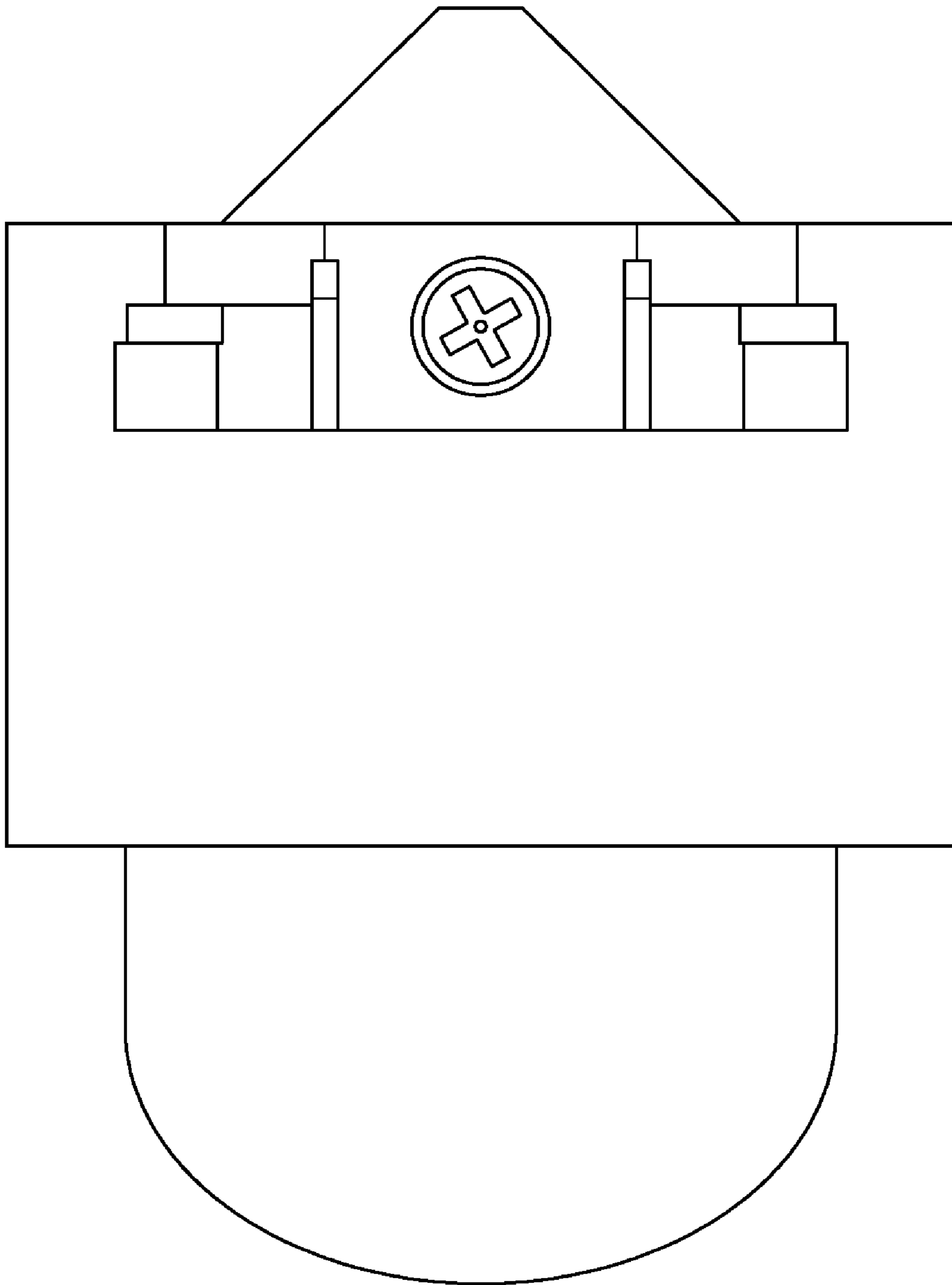
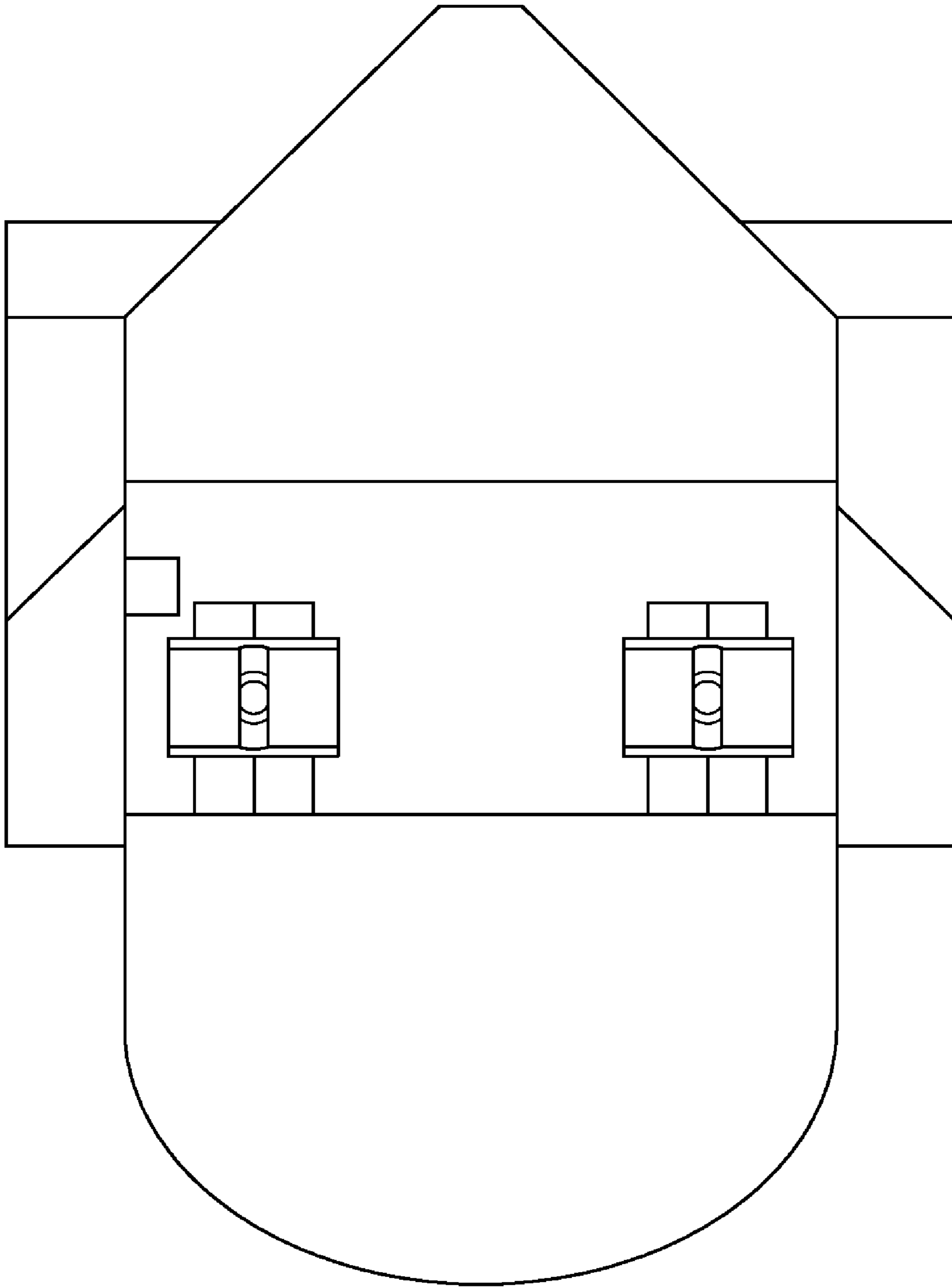


FIG. 2



*FIG. 3*



*FIG. 4*

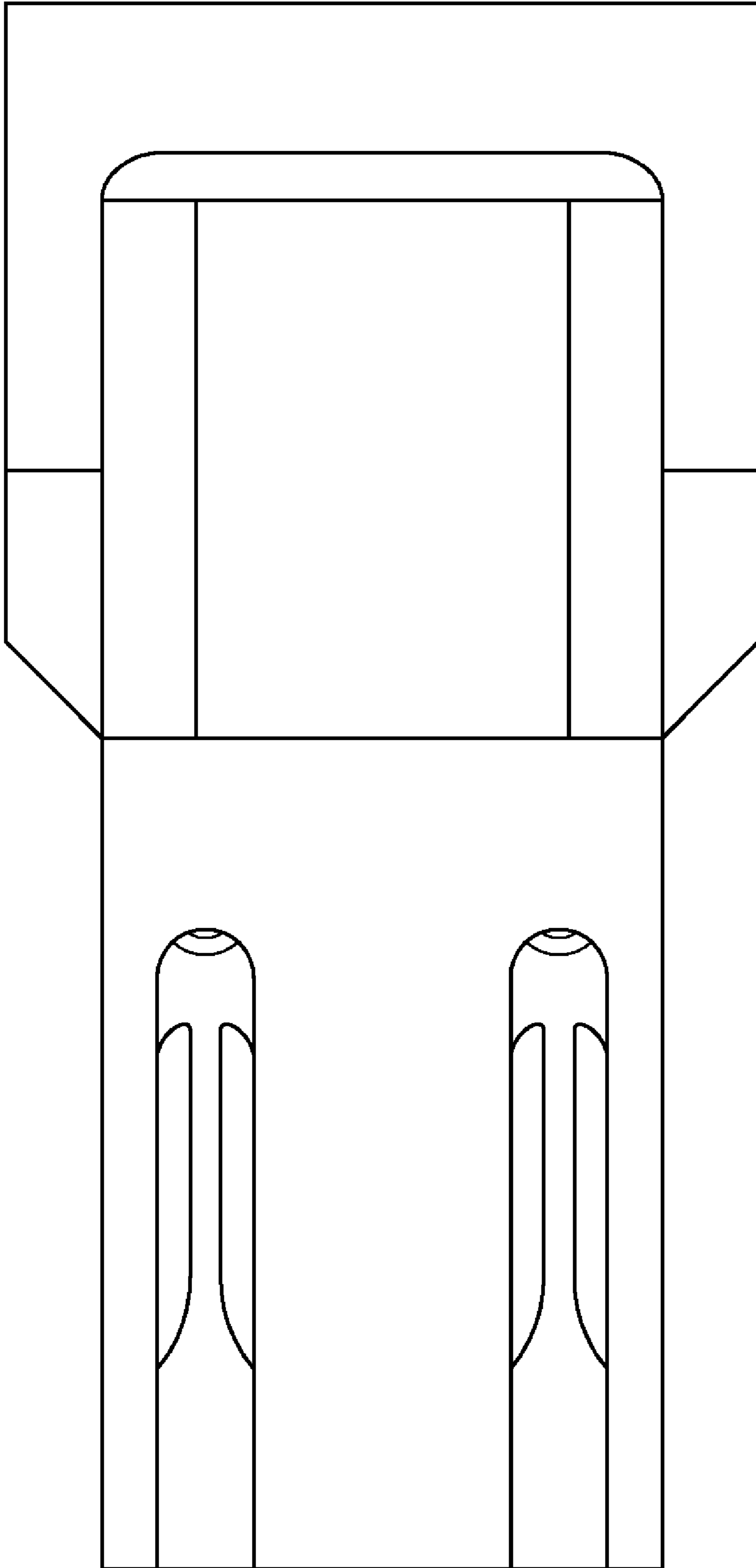


Fig. 5