



US00D616814S

(12) **United States Design Patent**
Weinberg et al.

(10) **Patent No.:** **US D616,814 S**
(45) **Date of Patent:** **** Jun. 1, 2010**

(54) **ACCUMULATOR CHARGER**

(75) Inventors: **Andreas Weinberg**, Stuttgart (DE);
Martin Ruf, Tuebingen (DE)

(73) Assignee: **Metabowerke GmbH**, Nuertingen (DE)

(**) Term: **14 Years**

(21) Appl. No.: **29/273,158**

(22) Filed: **Feb. 28, 2007**

(30) **Foreign Application Priority Data**

Sep. 4, 2006 (EM) 000591003

(51) **LOC (9) Cl.** **13-02**

(52) **U.S. Cl.** **D13/107**

(58) **Field of Classification Search** D13/102,
D13/107-110, 118-119, 184; D14/251,
D14/253, 432, 434; 320/107-115

See application file for complete search history.

(56) **References Cited**

U.S. PATENT DOCUMENTS

D271,391 S *	11/1983	Scheid	D13/107
D298,230 S *	10/1988	Lay	D13/107
D302,808 S *	8/1989	Skuzza et al.	D13/107
D327,669 S *	7/1992	Sakamoto et al.	D13/108
D328,276 S *	7/1992	Koinuma	D13/107
D352,497 S *	11/1994	Scianna et al.	D13/108
D359,474 S *	6/1995	Palatov	D13/108
D367,641 S *	3/1996	Ho	D13/108
D429,211 S *	8/2000	Ohi et al.	D13/107
D440,202 S *	4/2001	Heun	D13/107
D452,213 S *	12/2001	Shindo et al.	D13/108
D452,676 S *	1/2002	Shindo et al.	D13/108

D514,507 S *	2/2006	Cheung et al.	D13/107
D528,979 S *	9/2006	Franck et al.	D13/108
D541,214 S *	4/2007	Ino et al.	D13/107
D583,314 S *	12/2008	Price et al.	D13/107

* cited by examiner

Primary Examiner—Rosemary K Tarcza

(74) *Attorney, Agent, or Firm*—Paul Vincent

(57) **CLAIM**

The ornamental design for an accumulator charger, as shown and described.

DESCRIPTION

FIG. 1 shows a perspective view of the accumulator charger in accordance with the invention;

FIG. 2 shows a front view of the accumulator charger in accordance with the invention;

FIG. 3 shows a rear view of the accumulator charger in accordance with the invention;

FIG. 4 shows a left side view of the accumulator charger in accordance with the invention;

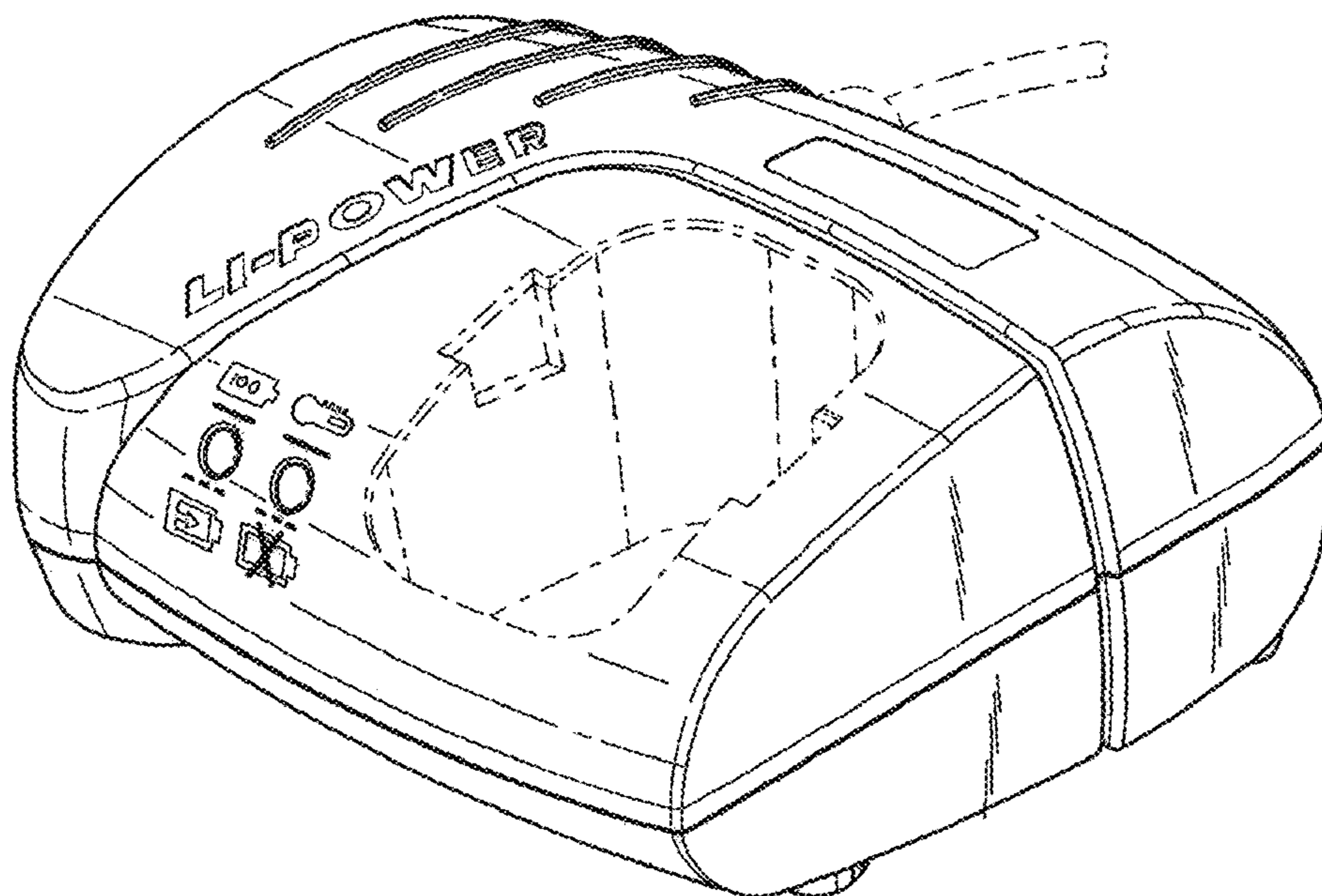
FIG. 5 shows a right side view of the accumulator charger in accordance with the invention;

FIG. 6 shows a top view of the accumulator charger in accordance with the invention; and,

FIG. 7 shows a bottom view of the accumulator charger in accordance with the invention.

The broken lines showing portions of the accumulator charger are included for the purpose of illustrating environmental structure and form no part of the claimed design.

1 Claim, 4 Drawing Sheets



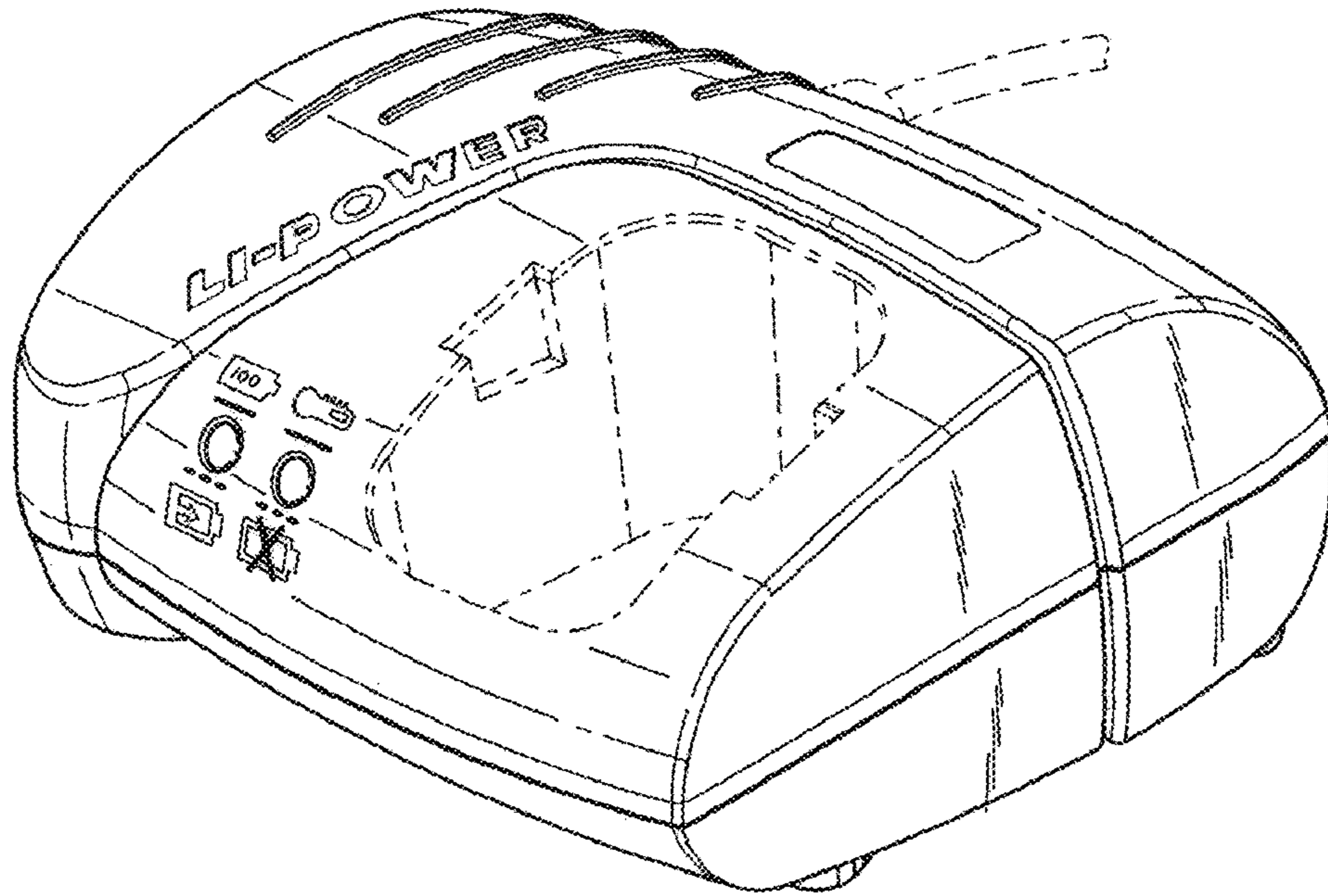


Fig. 1

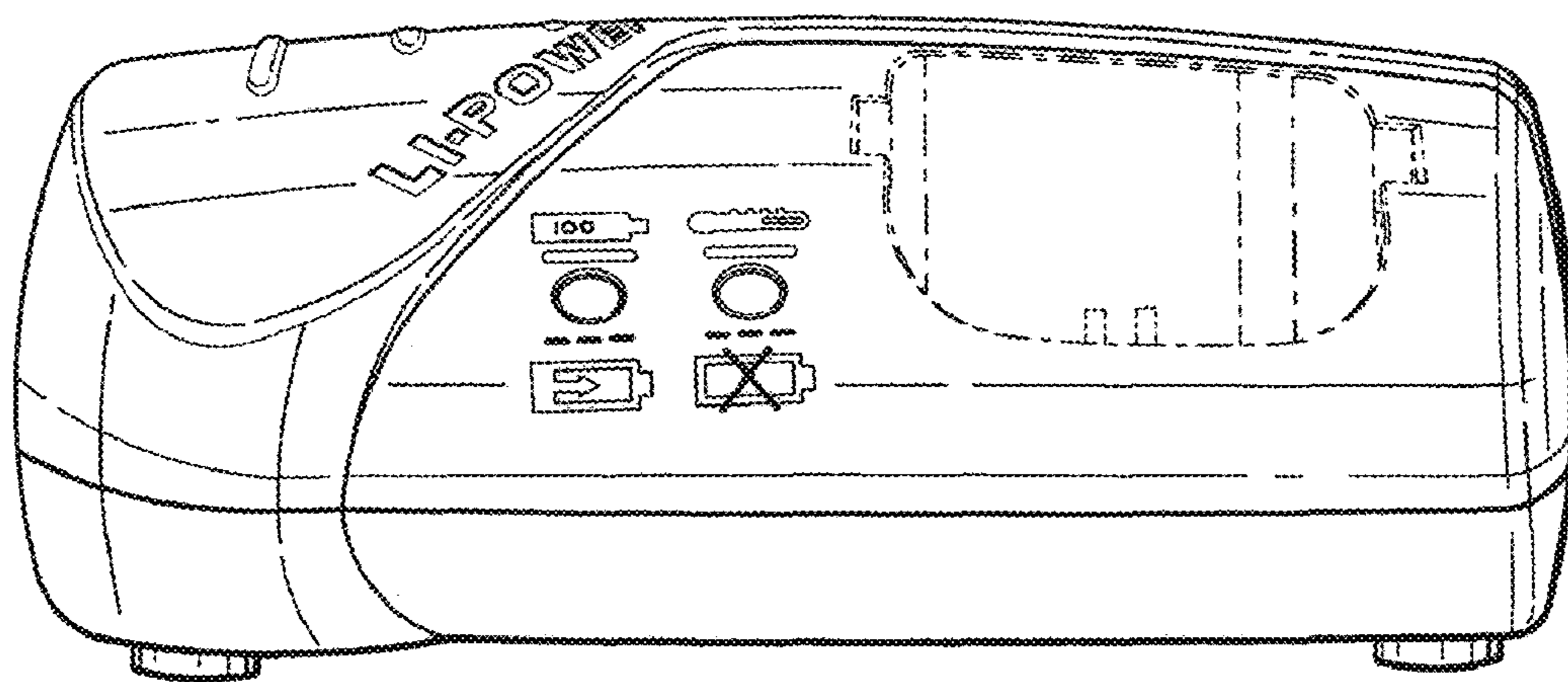


Fig. 2

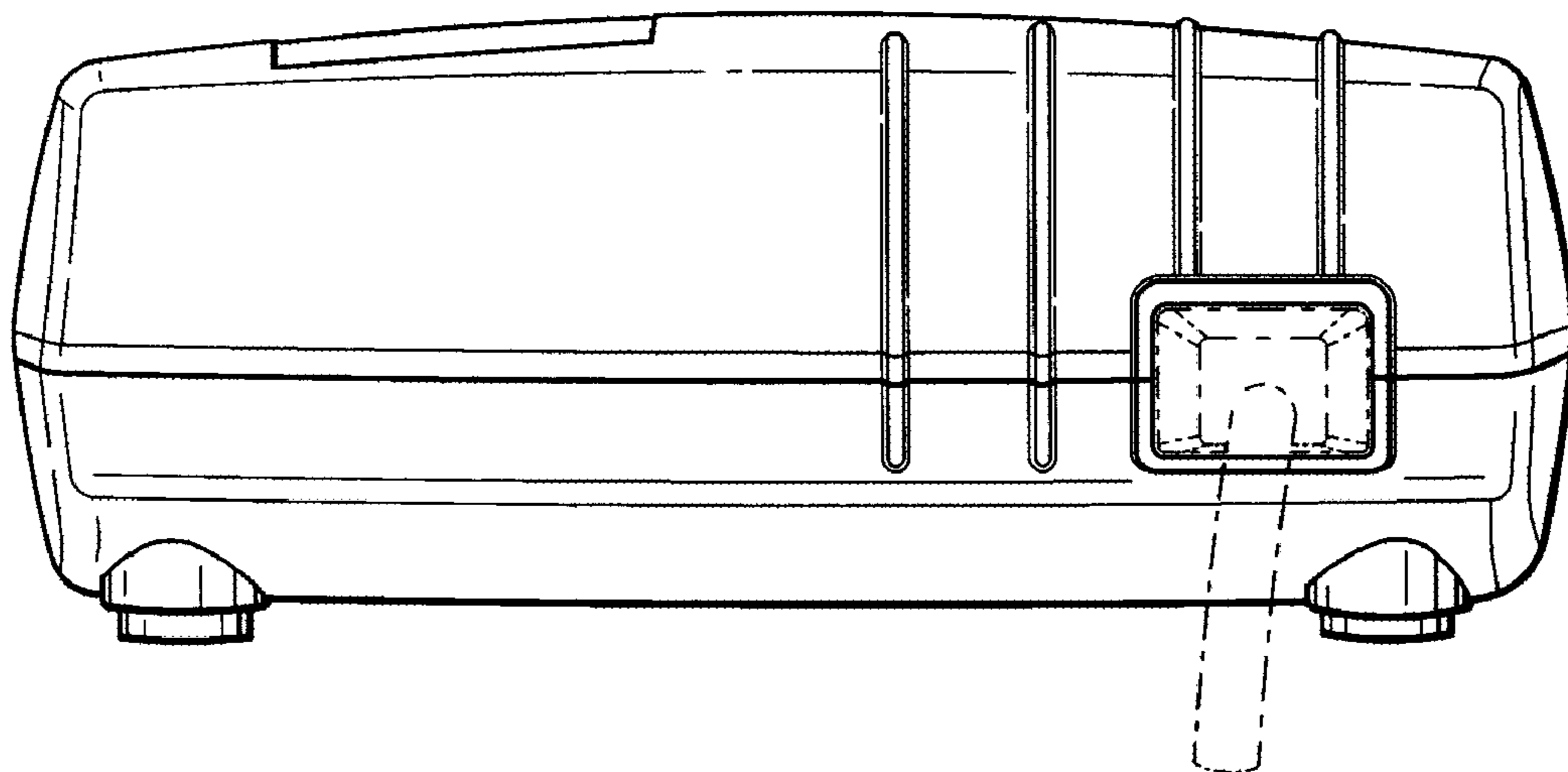


Fig. 3

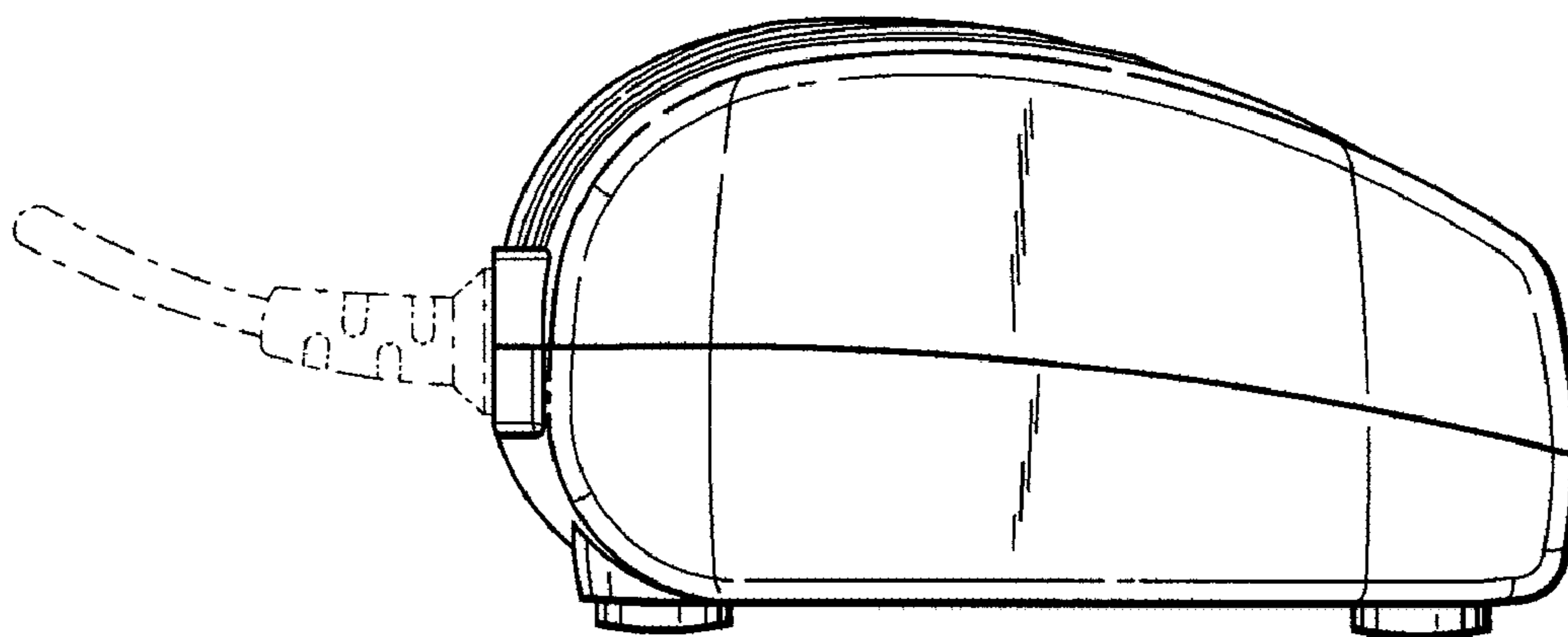


Fig. 4

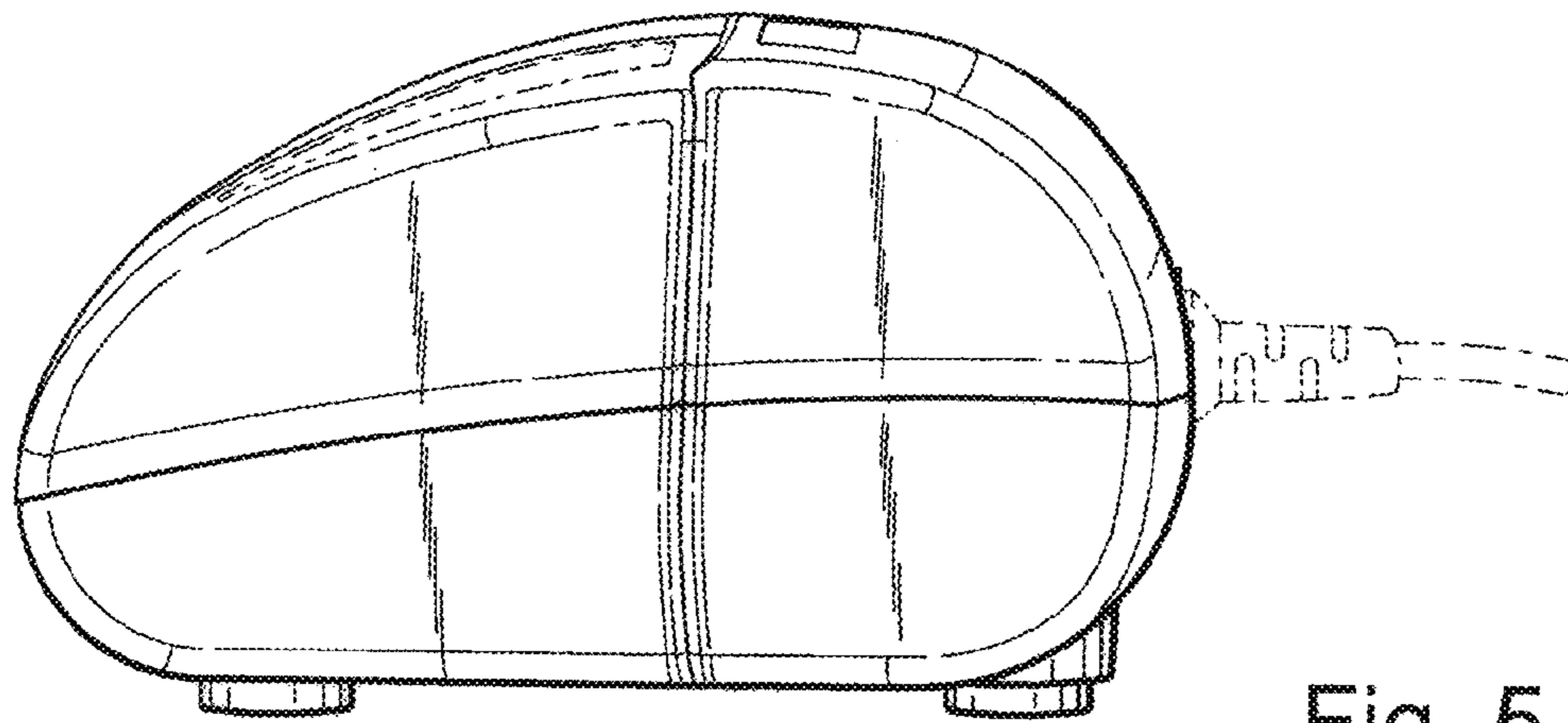


Fig. 5

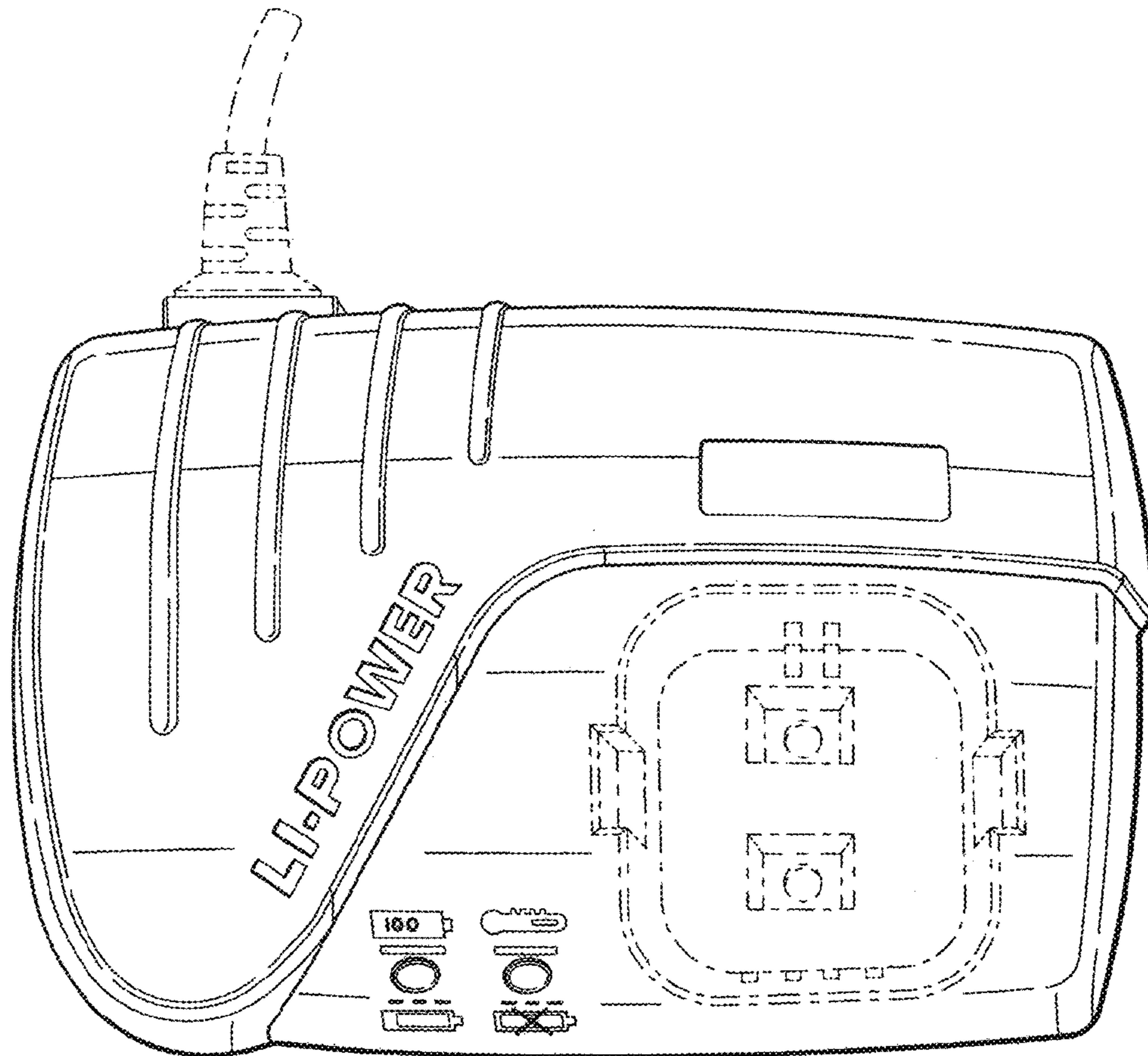


Fig. 6

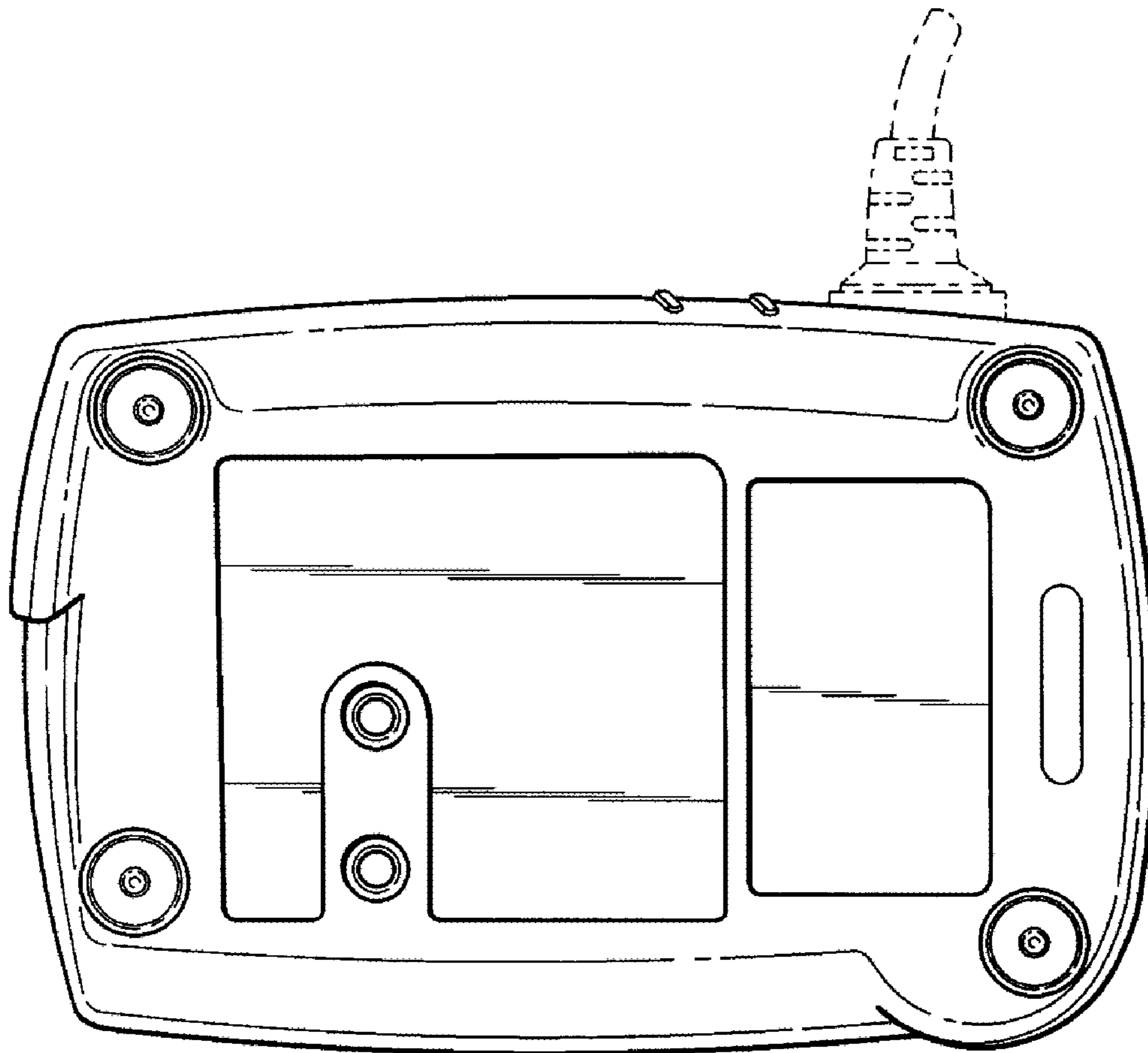


Fig. 7