



US00D616806S

(12) **United States Design Patent**  
**Patterson, Sr. et al.**

(10) **Patent No.:** **US D616,806 S**  
(45) **Date of Patent:** **\*\* Jun. 1, 2010**

(54) **ATV WEATHER SHIELD**

(76) Inventors: **Robert Patterson, Sr.**, 179 9th St.,  
Pasadena, MD (US) 21122; **Richard**  
**Hartman, Sr.**, 179 9th St., Pasadena,  
MD (US) 21122

(\*\*) Term: **14 Years**

(21) Appl. No.: **29/346,690**

(22) Filed: **Nov. 4, 2009**

(51) **LOC (9) Cl.** ..... **12-16**

(52) **U.S. Cl.** ..... **D12/401**

(58) **Field of Classification Search** ..... D12/400,  
D12/401, 404, 406, 412, 414, 222, 223, 86,  
D12/93, 101; 224/923, 924; 211/100, 124,  
211/2, 4, 85.7; D6/552

See application file for complete search history.

(56) **References Cited**

**U.S. PATENT DOCUMENTS**

376,908	A *	1/1888	Norman	.....	12/48
1,918,423	A *	7/1933	Persinger	.....	160/24
2,945,234	A *	7/1960	Driscoll	.....	343/915
3,992,053	A	11/1976	Hrytzak et al.		
4,657,298	A	4/1987	O		
4,825,889	A *	5/1989	Monteith	.....	135/88.07
5,029,933	A *	7/1991	Gillem	.....	296/136.11
5,240,305	A *	8/1993	Trethewey	.....	296/136.11

5,597,196	A *	1/1997	Gibbs	.....	296/98
5,954,388	A *	9/1999	Liggett	.....	296/136.03
6,427,709	B1 *	8/2002	Montes	.....	135/88.07
6,682,123	B2	1/2004	Burks et al.		
7,337,793	B2	3/2008	Chen		
D574,764	S	8/2008	Scheer		
2004/0187991	A1	9/2004	Poe		

\* cited by examiner

*Primary Examiner*—Caron Veynar

*Assistant Examiner*—Katrina A Kile

(74) *Attorney, Agent, or Firm*—Kyle Fletcher

(57) **CLAIM**

The ornamental design for a ATV weather shield, as shown and described.

**DESCRIPTION**

FIG. 1 is a side view of the ATV weather shield.

FIG. 2 is a rear view of the claimed design.

FIG. 3 is a front view of the claimed design.

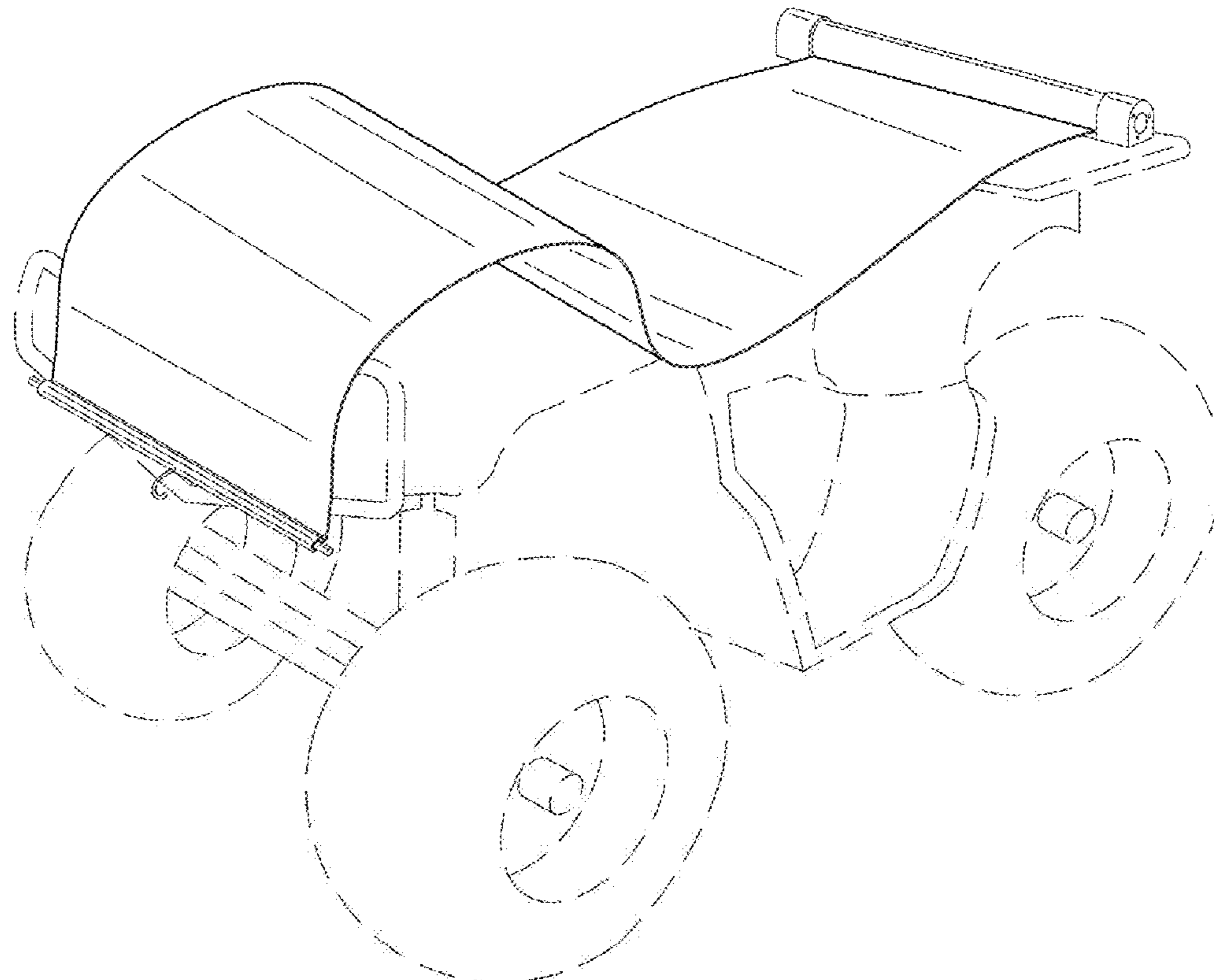
FIG. 4 is a top view of the claimed design.

FIG. 5 is a bottom view of the claimed design; and,

FIG. 6 is a perspective view of the claimed design in an alternate position.

In the drawings, the broken lines in FIG. 6 depict an ATV and form no part of the claimed design.

**1 Claim, 6 Drawing Sheets**



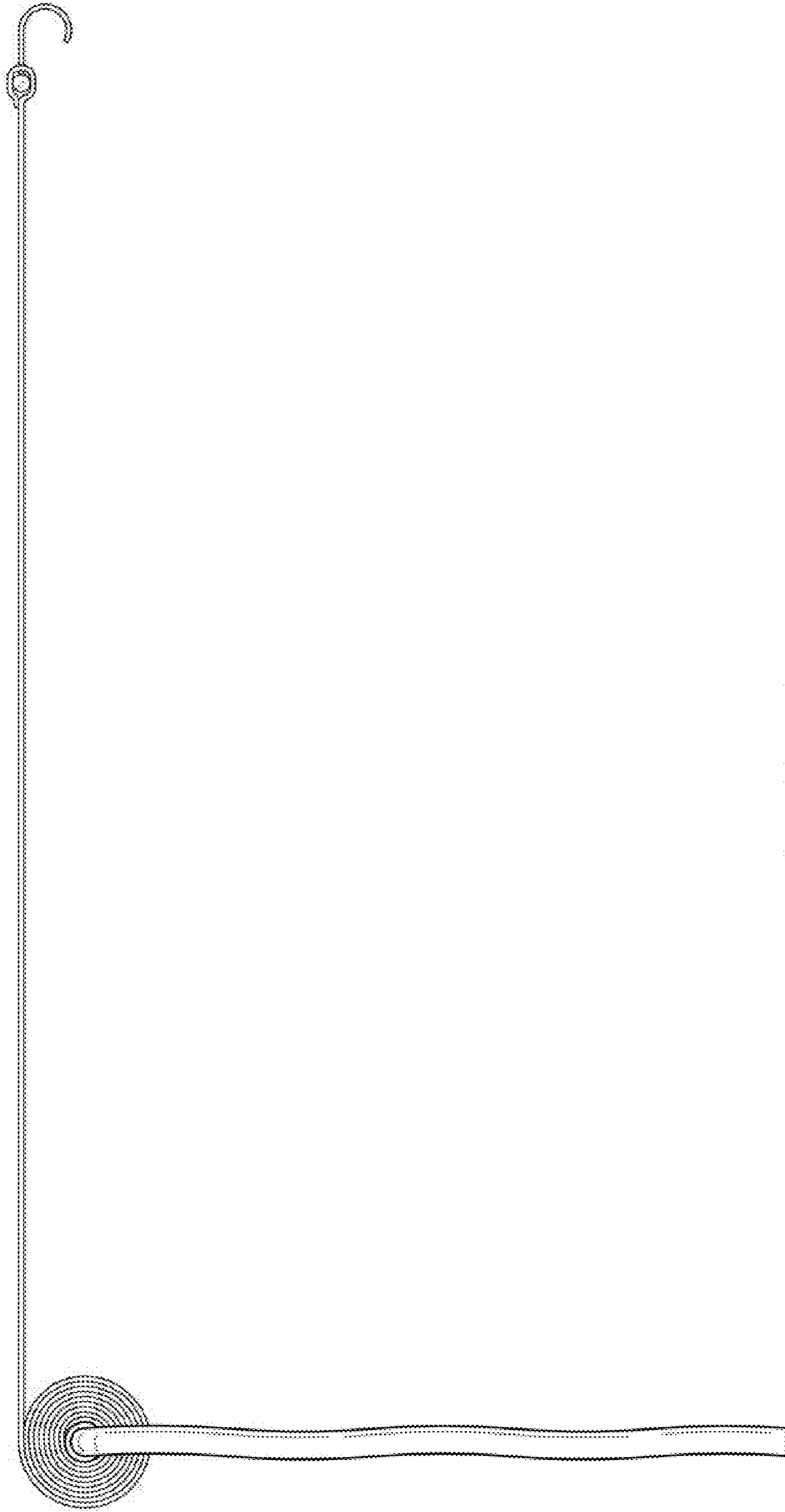


FIG. 1

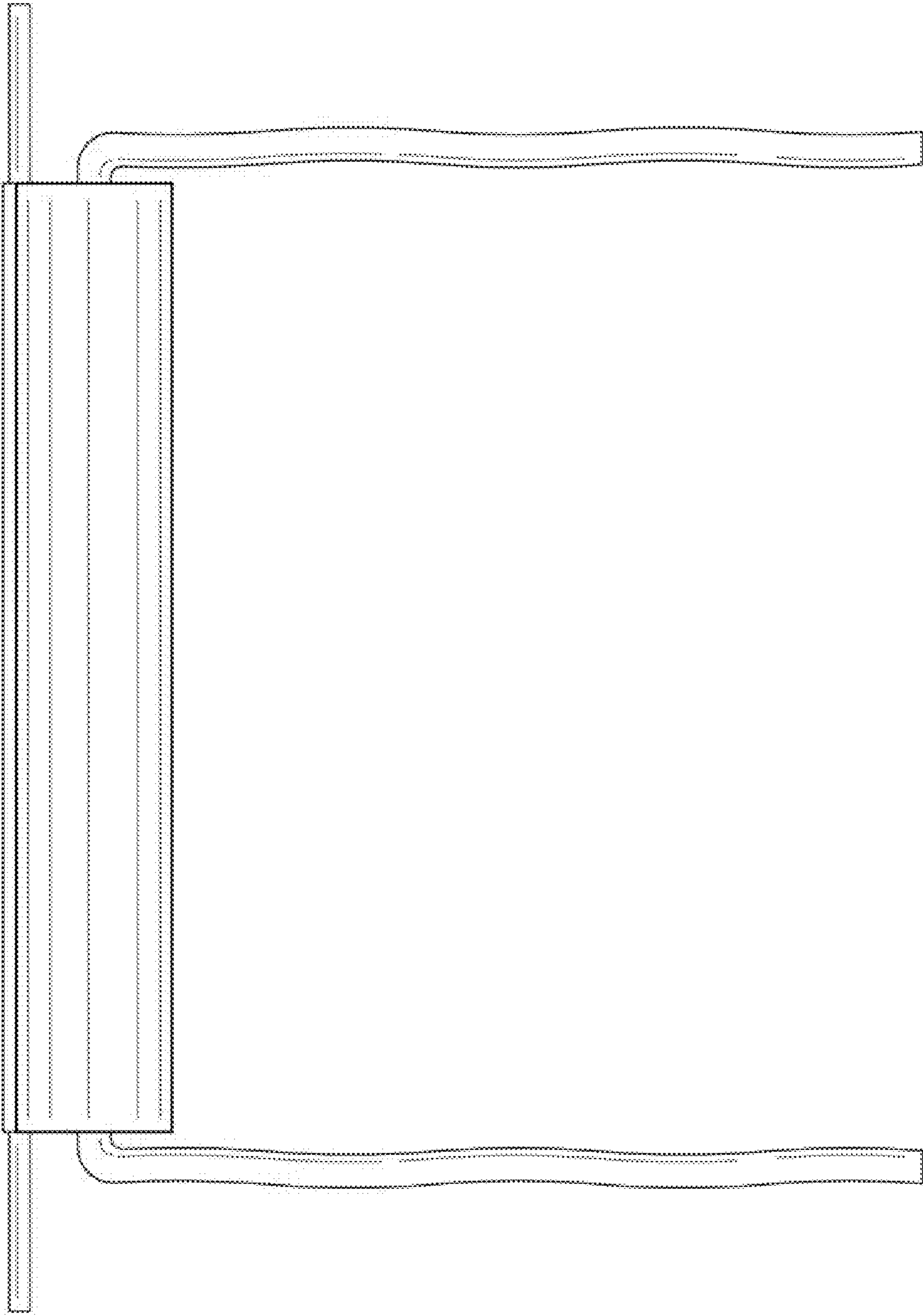


FIG. 2

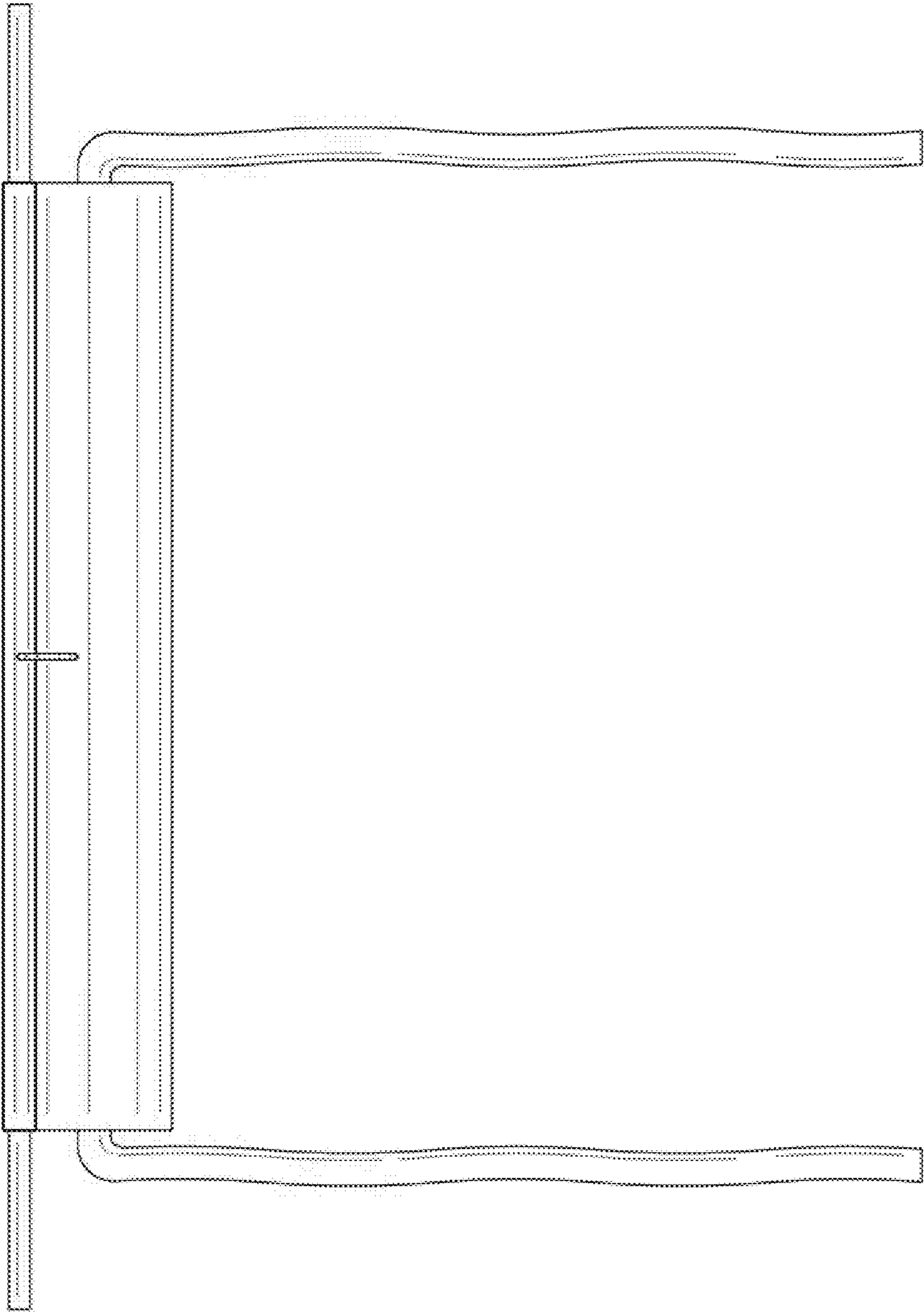


FIG. 3

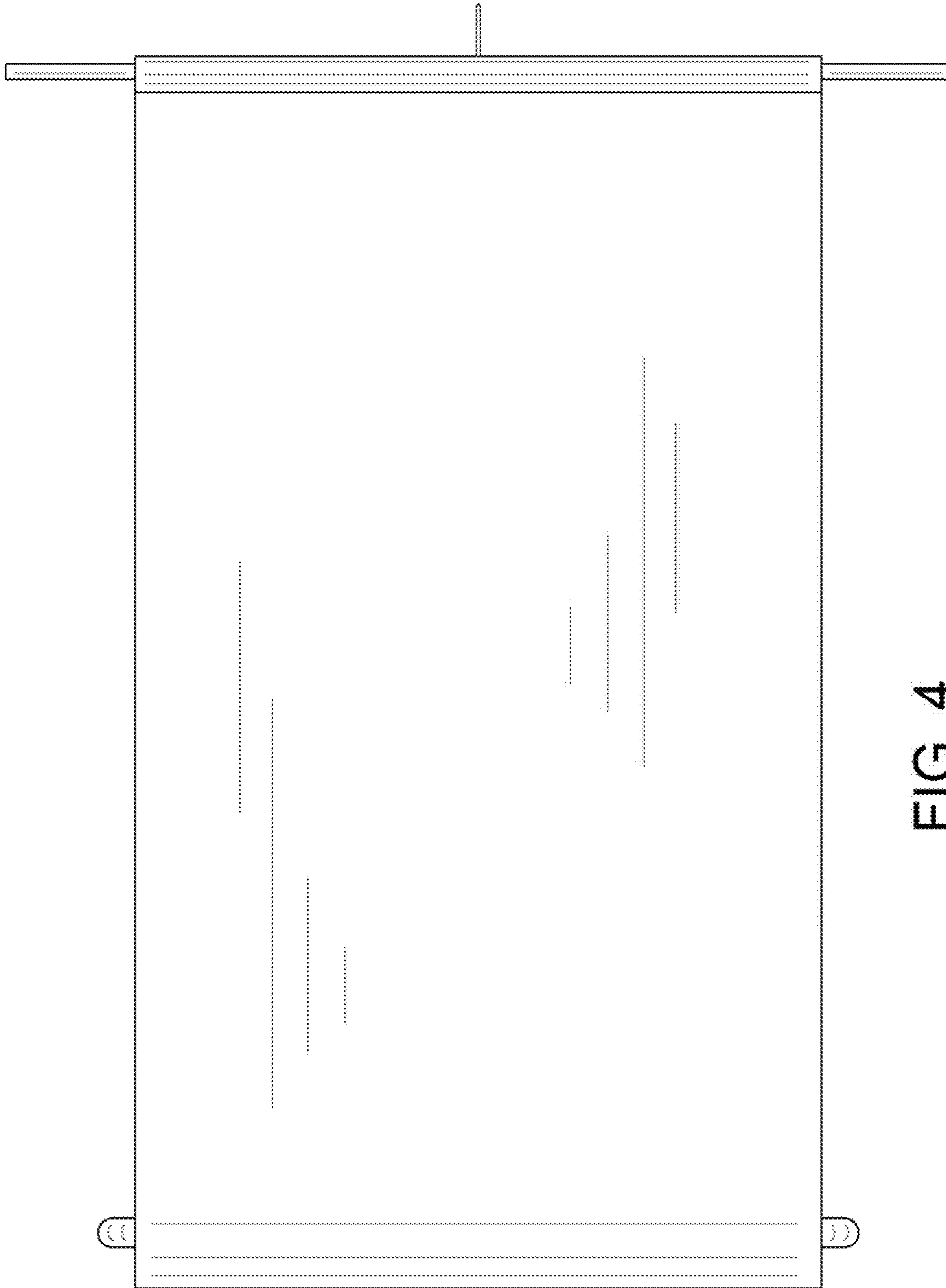


FIG. 4

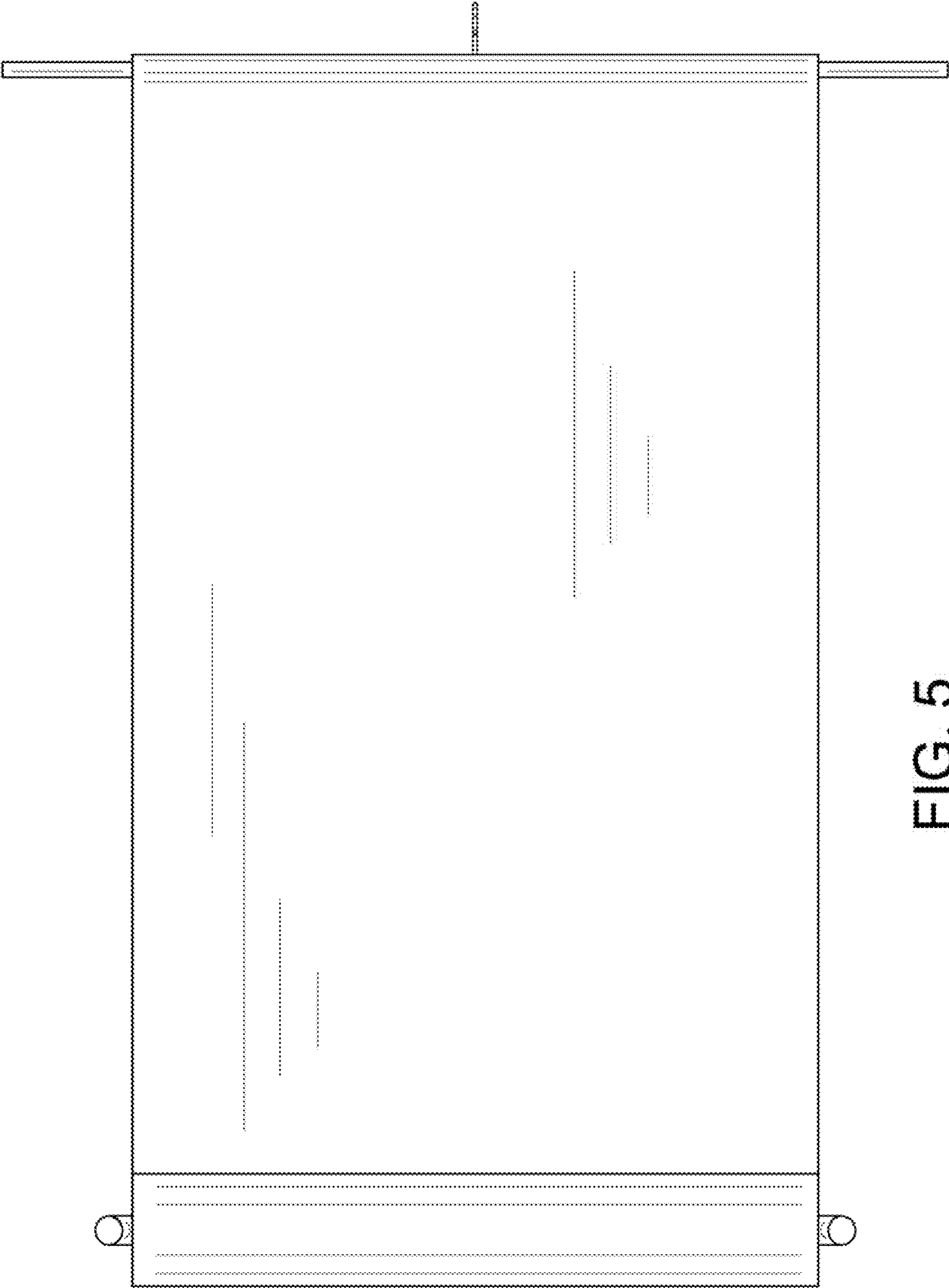


FIG. 5

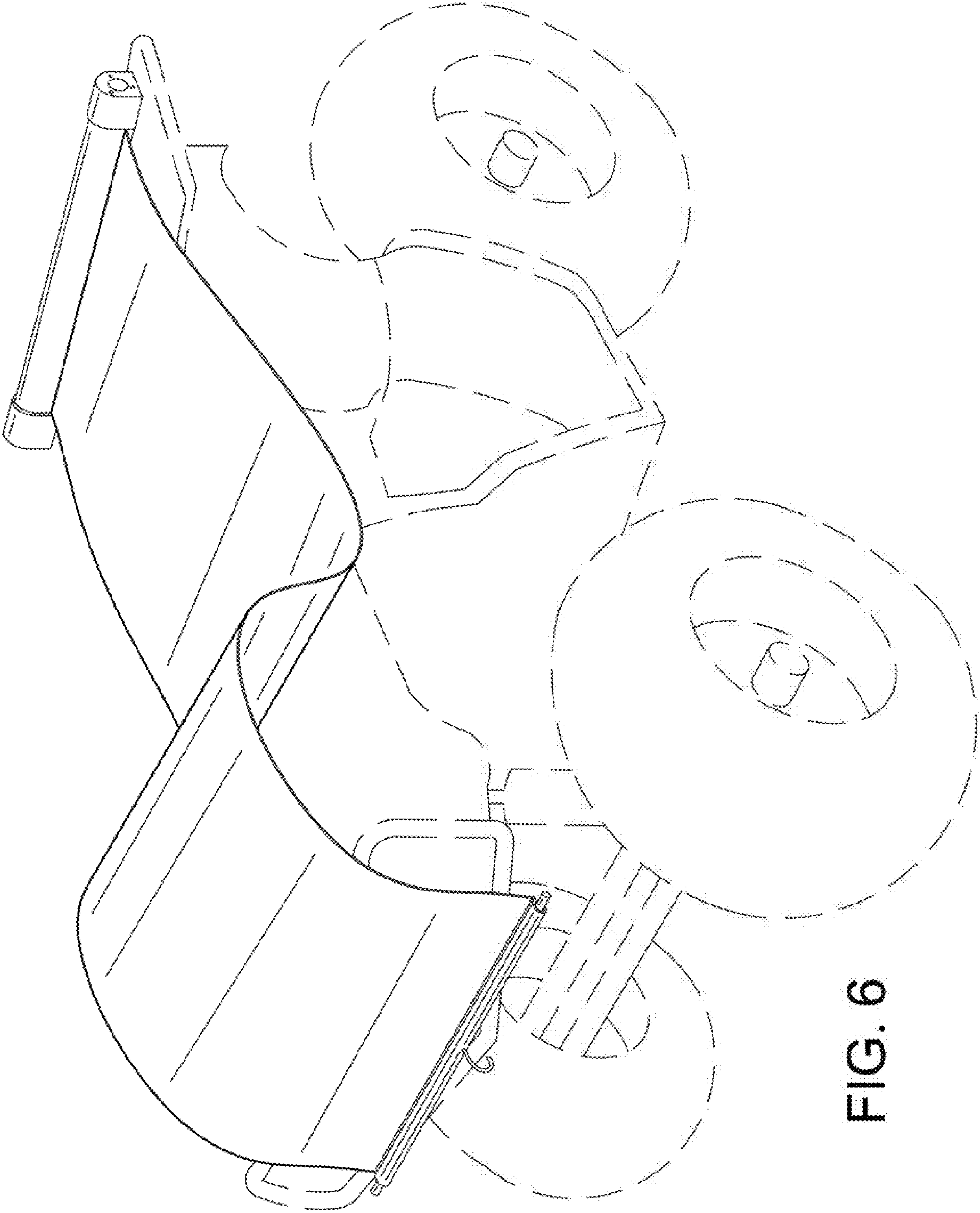


FIG. 6