



US00D616801S

(12) **United States Design Patent**
Zhao

(10) **Patent No.:** **US D616,801 S**
(45) **Date of Patent:** **** Jun. 1, 2010**

(54) **FRONT FACE OF A VEHICLE WHEEL**

(76) Inventor: **John Zhao**, 283 E. Garvey Ave.,
Monterey Park, CA (US) 91766

(**) Term: **14 Years**

(21) Appl. No.: **29/352,233**

(22) Filed: **Dec. 17, 2009**

(51) **LOC (9) Cl.** **12-16**

(52) **U.S. Cl.** **D12/211**

(58) **Field of Classification Search** D12/204-213;
301/37.101, 64.101, 65, 64.201
See application file for complete search history.

(56) **References Cited**

U.S. PATENT DOCUMENTS

D416,849 S	*	11/1999	Weidhase	D12/211
D438,503 S	*	3/2001	Syring	D12/211
D500,005 S	*	12/2004	van Hooydonk	D12/211
D500,726 S	*	1/2005	Hettler	D12/211
D516,989 S	*	3/2006	Baum	D12/211
D516,991 S	*	3/2006	Guevara	D12/211
D546,748 S	*	7/2007	Young	D12/211

D548,162 S	*	8/2007	Baum	D12/211
D549,635 S	*	8/2007	Hernandez	D12/211
D578,455 S	*	10/2008	Pfeiffer	D12/211
D585,352 S	*	1/2009	Scheu	D12/211
D590,317 S	*	4/2009	Chung	D12/211
D596,101 S	*	7/2009	Tant et al.	D12/211

* cited by examiner

Primary Examiner—Stacia Cadmus

(74) *Attorney, Agent, or Firm*—Procopio, Cory,
Hargreaves & Savitch LLP

(57) **CLAIM**

The ornamental design for a front face of a vehicle wheel, as shown and described.

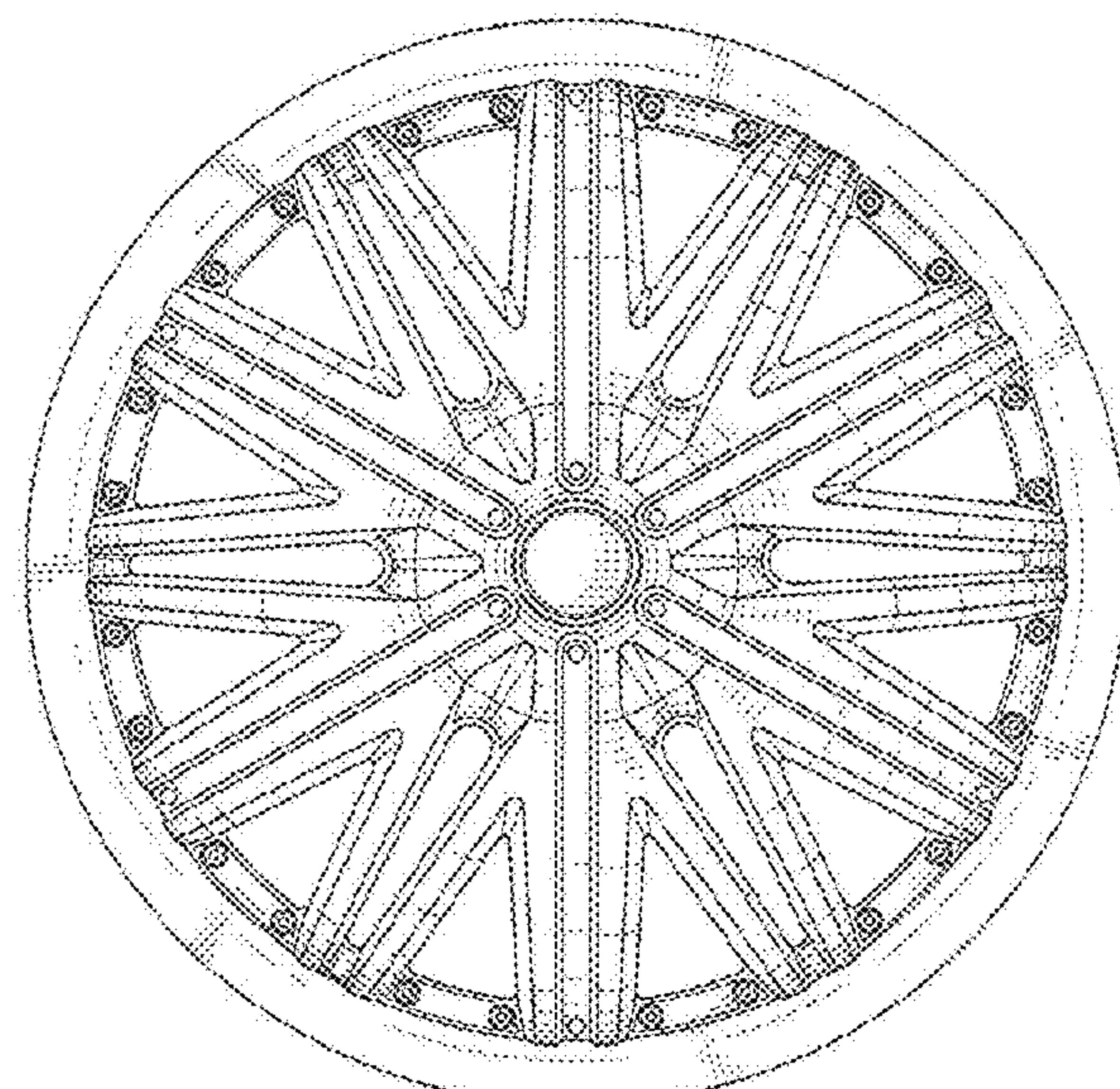
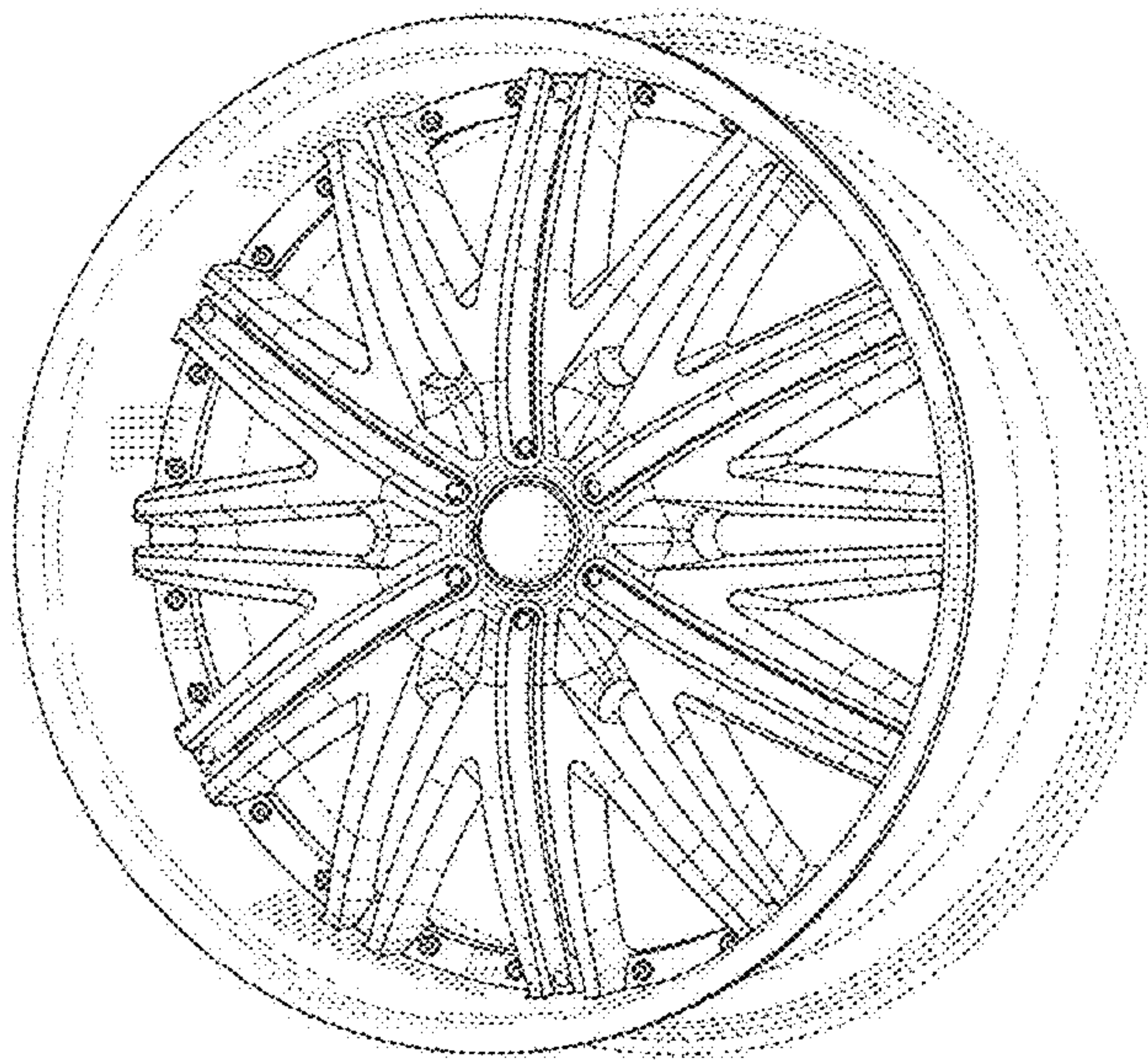
DESCRIPTION

FIG. 1 is a perspective view of a front face of a vehicle wheel embodying my new design; and,

FIG. 2 is a front view thereof.

The broken lines are for illustrative purposes only and form no part of the claimed design.

1 Claim, 2 Drawing Sheets



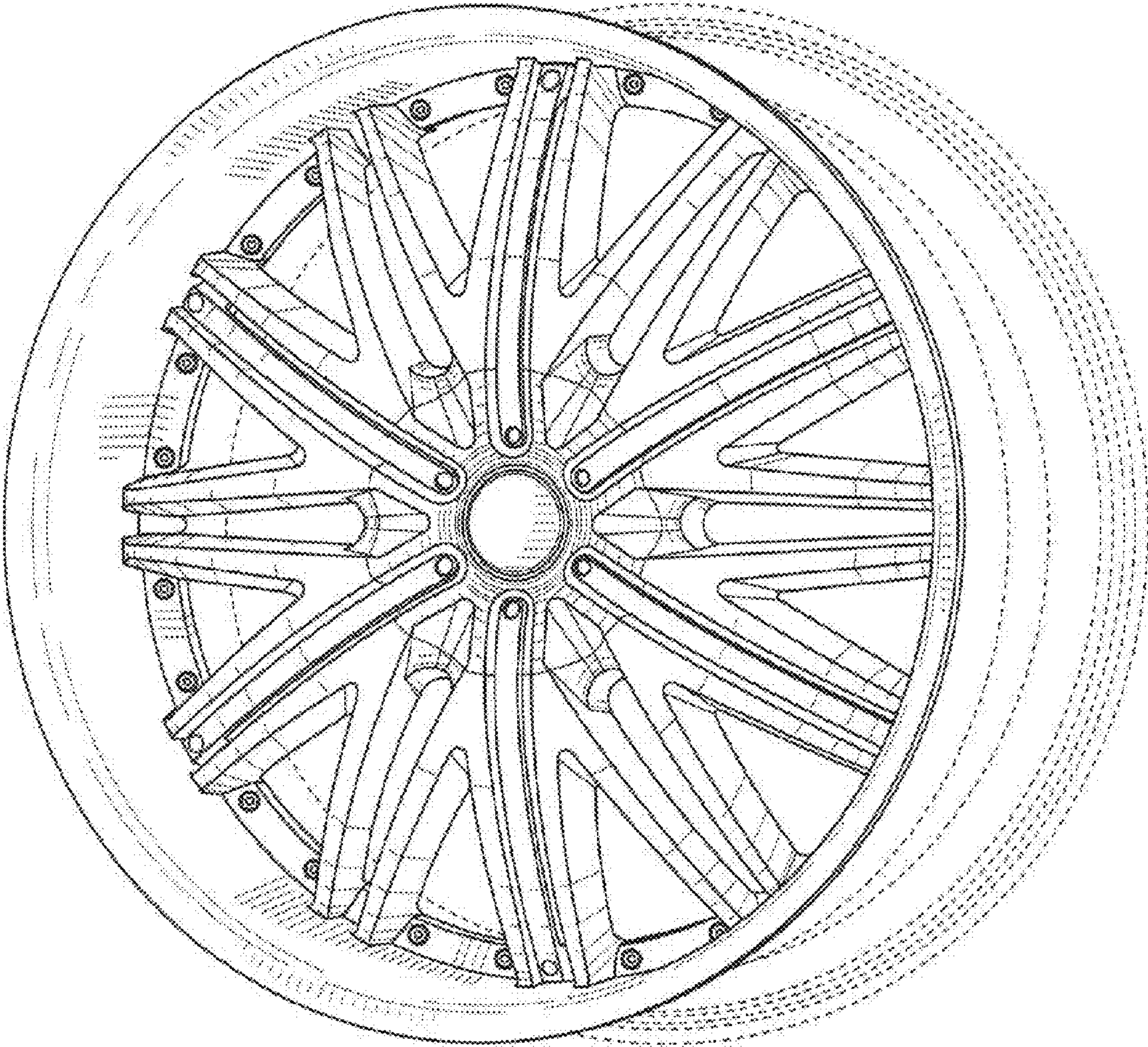


FIG. 1

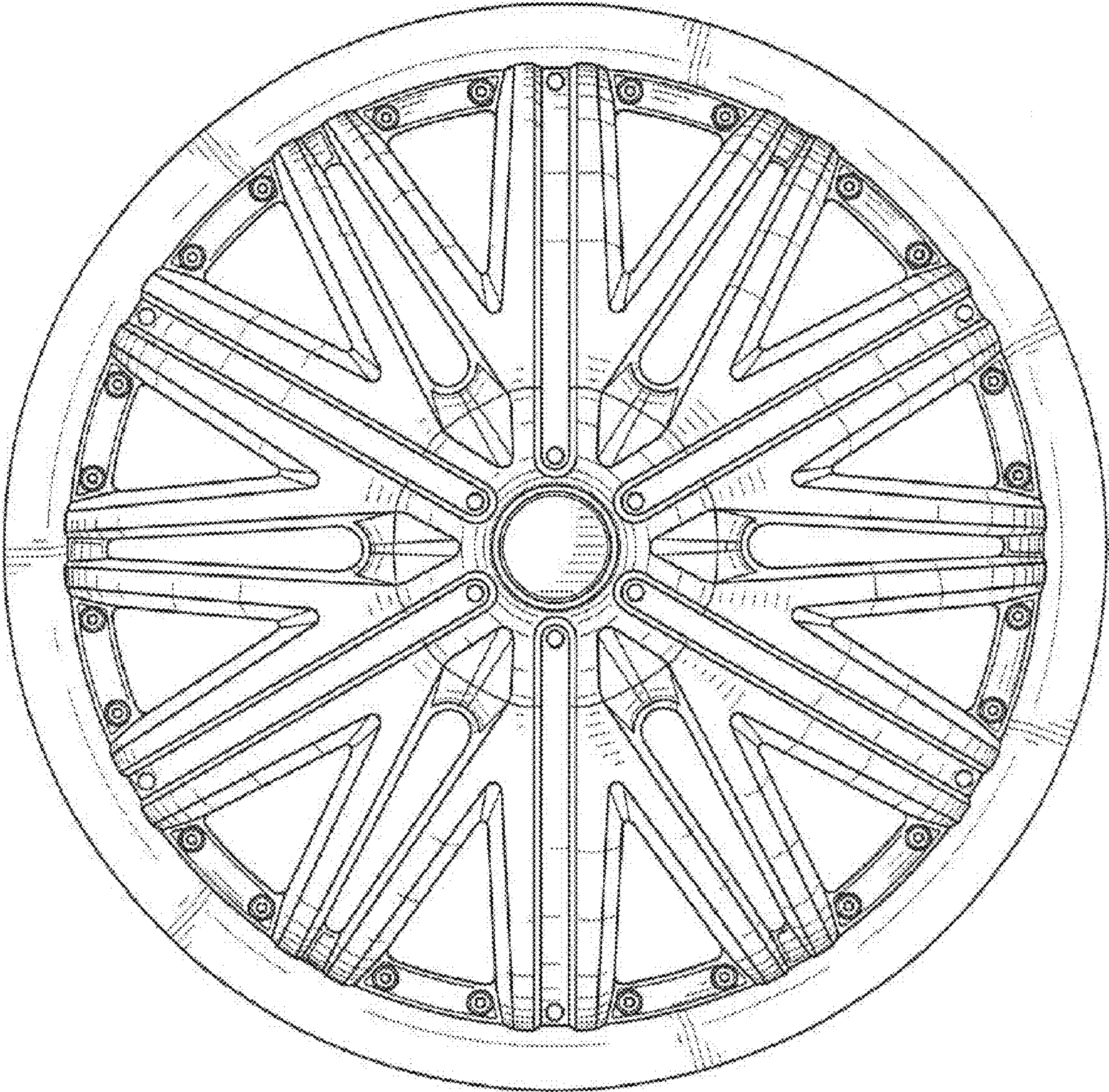


FIG. 2