



US00D616800S

(12) **United States Design Patent**  
**Zhao**

(10) **Patent No.:** **US D616,800 S**  
(45) **Date of Patent:** **\*\* Jun. 1, 2010**

(54) **FRONT FACE OF A VEHICLE WHEEL**

(76) Inventor: **John Zhao**, 283 E. Garvey Ave.,  
Monterey Park, CA (US) 91766

(\*\*) Term: **14 Years**

(21) Appl. No.: **29/352,240**

(22) Filed: **Dec. 17, 2009**

(51) **LOC (9) Cl.** ..... **12-16**

(52) **U.S. Cl.** ..... **D12/209**

(58) **Field of Classification Search** ..... D12/204-213;  
301/37.101, 64.101, 65, 64.201

See application file for complete search history.

(56) **References Cited**

U.S. PATENT DOCUMENTS

D380,431 S *	7/1997	Brown et al. ....	D12/209
D394,838 S *	6/1998	Suprihanto .....	D12/211
D401,206 S *	11/1998	Ivanova .....	D12/209
D405,409 S *	2/1999	Baumgartner .....	D12/211
D416,849 S *	11/1999	Weidhase .....	D12/211
D438,162 S *	2/2001	Syring .....	D12/211
D454,327 S *	3/2002	Bux .....	D12/211
D499,685 S *	12/2004	Schaefers .....	D12/211
D500,978 S *	1/2005	Echazabal .....	D12/209

D516,488 S *	3/2006	Truebsbach .....	D12/209
D527,327 S *	8/2006	Laengerer .....	D12/211
D532,355 S *	11/2006	Baumgartner .....	D12/211
D576,094 S *	9/2008	Bernoni .....	D12/211
D590,313 S *	4/2009	Baum .....	D12/209
D595,632 S *	7/2009	Hernandez .....	D12/211
D597,015 S *	7/2009	Juergens et al. ....	D12/211
D597,464 S *	8/2009	Truebsbach .....	D12/211

\* cited by examiner

*Primary Examiner*—Stacia Cadmus

(74) *Attorney, Agent, or Firm*—Procopio, Cory, Hargreaves  
& Savitch LLP

(57) **CLAIM**

The ornamental design for a front face of a vehicle wheel, as shown and described.

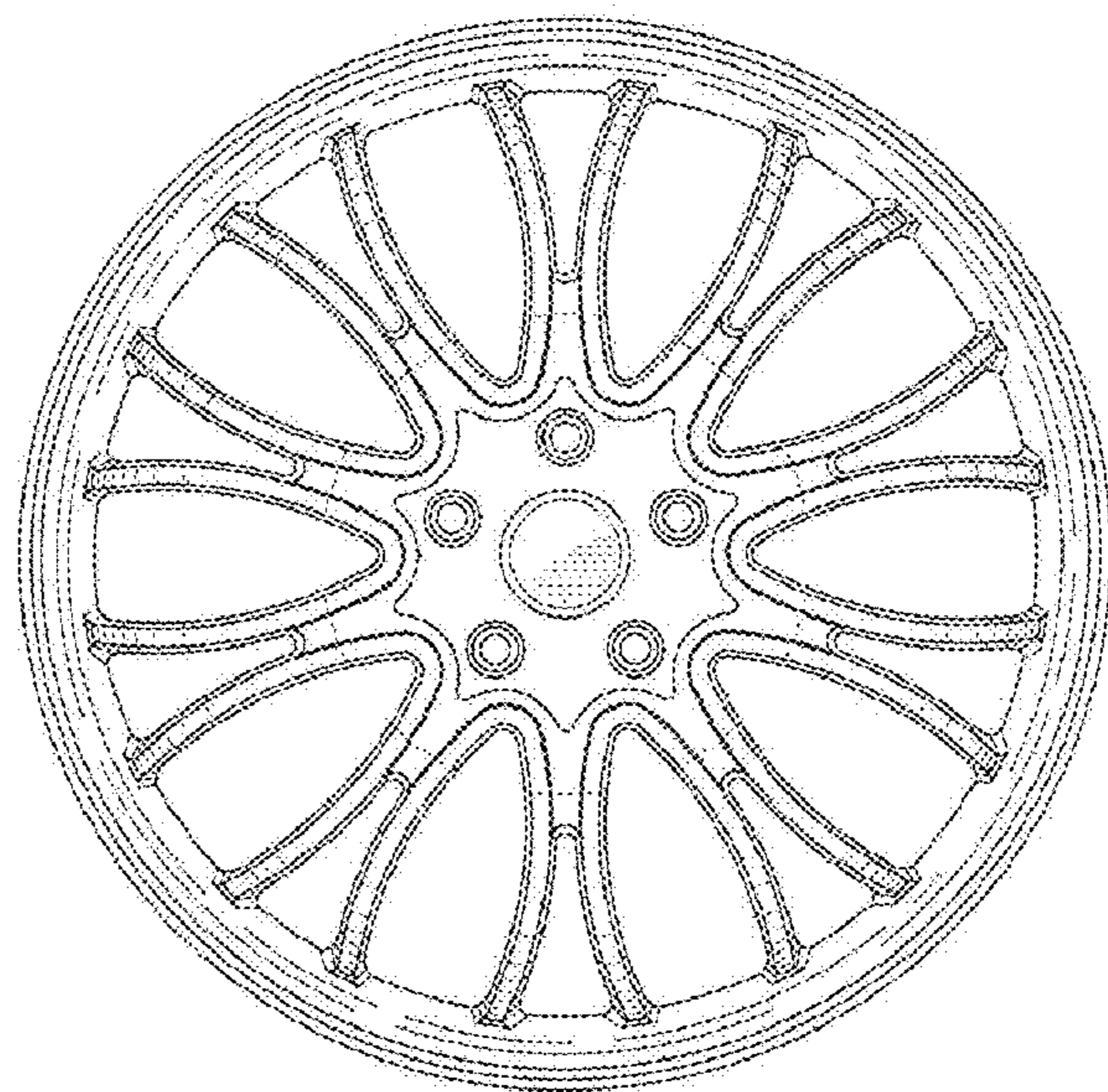
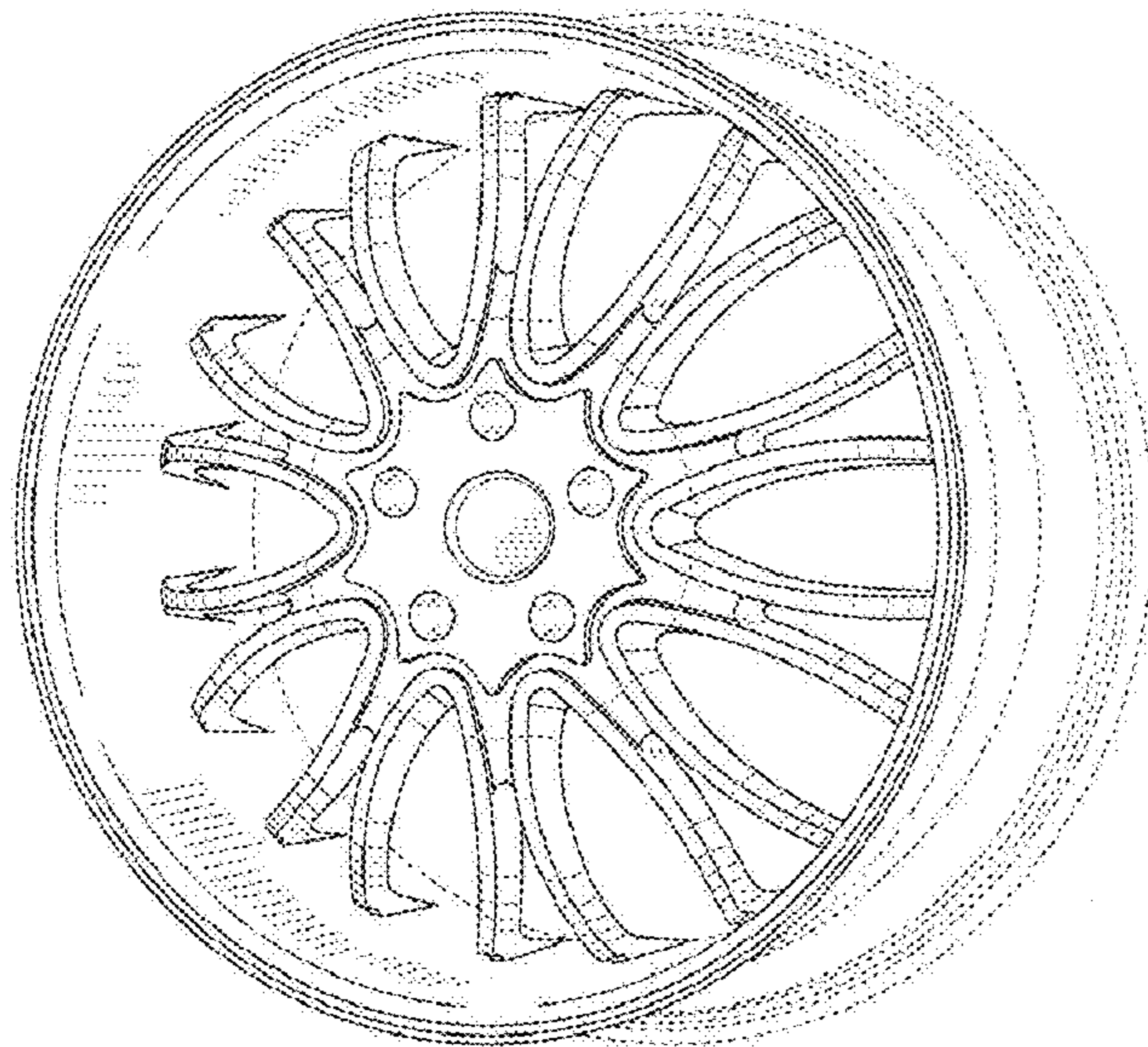
**DESCRIPTION**

FIG. 1 is a perspective view of a front face of a vehicle wheel embodying my new design; and,

FIG. 2 is a front view thereof.

The broken lines are for illustrative purposes only and form no part of the claimed design.

**1 Claim, 2 Drawing Sheets**



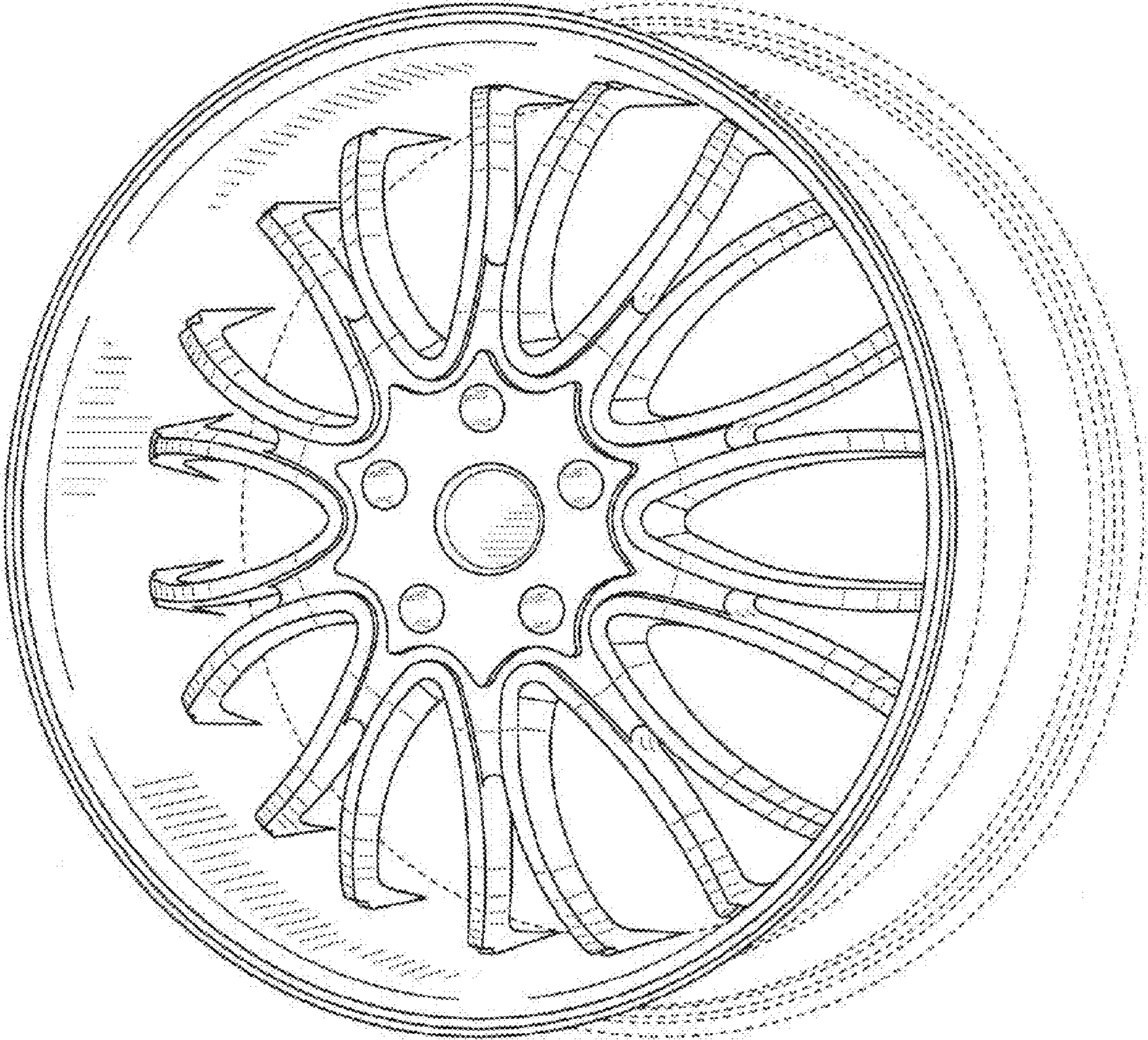


FIG. 1

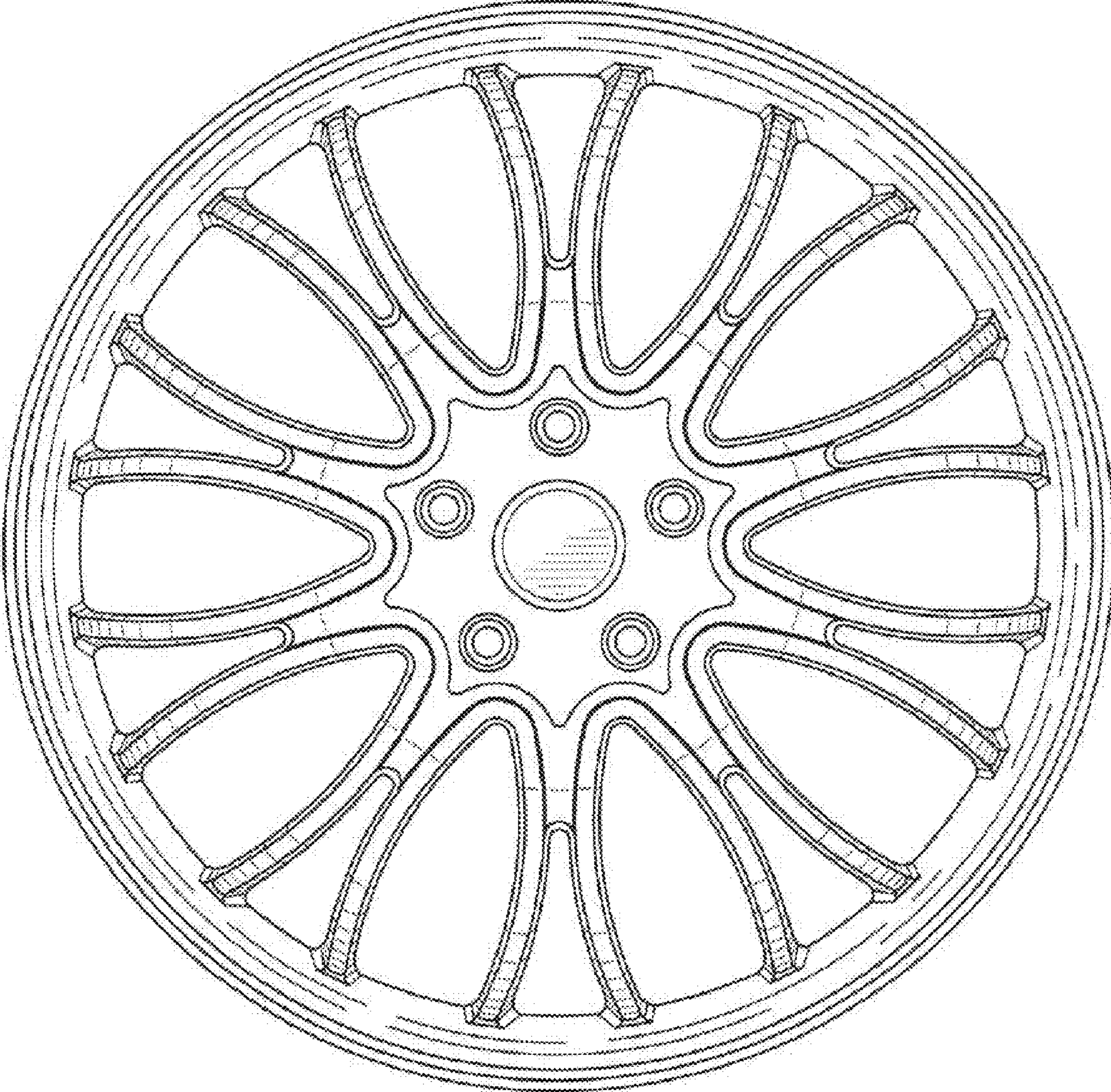


FIG. 2