



US00D616792S

(12) **United States Design Patent**
Jacobs

(10) **Patent No.:** **US D616,792 S**
(45) **Date of Patent:** **** Jun. 1, 2010**

(54) **STROLLER**

(75) Inventor: **Imre Peter Jacobs**, Utrecht (NL)

(73) Assignee: **Wonderland Nurserygoods Hong Kong Company Limited**, Hong Kong (CN)

(**) Term: **14 Years**

(21) Appl. No.: **29/340,432**

(22) Filed: **Jul. 17, 2009**

(51) **LOC (9) Cl.** **12-12**

(52) **U.S. Cl.** **D12/129; D12/133**

(58) **Field of Classification Search** D12/128-133;
D6/360, 367; 280/62, 647-650, 29, 200,
280/47.38, 250.1, 259, 642, 658; 297/DIG. 4;
296/65.03, 65.04; 224/409; D21/425, 426;
D34/17, 18

See application file for complete search history.

(56) **References Cited**

U.S. PATENT DOCUMENTS

5,221,106	A *	6/1993	Shamie	280/644
D396,832	S *	8/1998	Yang	D12/129
D427,550	S *	7/2000	Lee	D12/129
D463,330	S *	9/2002	Yang et al.	D12/129
D486,428	S *	2/2004	Daykin	D12/129
D486,429	S *	2/2004	Daykin	D12/129

6,843,499	B2 *	1/2005	Guo	280/642
D528,948	S *	9/2006	Daykin	D12/129
7,108,275	B2 *	9/2006	Yeh et al.	280/647
7,434,827	B2 *	10/2008	Yeh et al.	280/642

* cited by examiner

Primary Examiner—Charles A Rademaker

Assistant Examiner—Charles D Hanson

(74) *Attorney, Agent, or Firm*—Glenn H. Lenzen; Polsinelli Shughart PC

(57) **CLAIM**

The ornamental design for stroller, as shown and described.

DESCRIPTION

FIG. 1 is a perspective view of stroller showing my new design;

FIG. 2 is a front elevational view thereof;

FIG. 3 is a rear elevational view thereof;

FIG. 4 is a left side elevational view thereof;

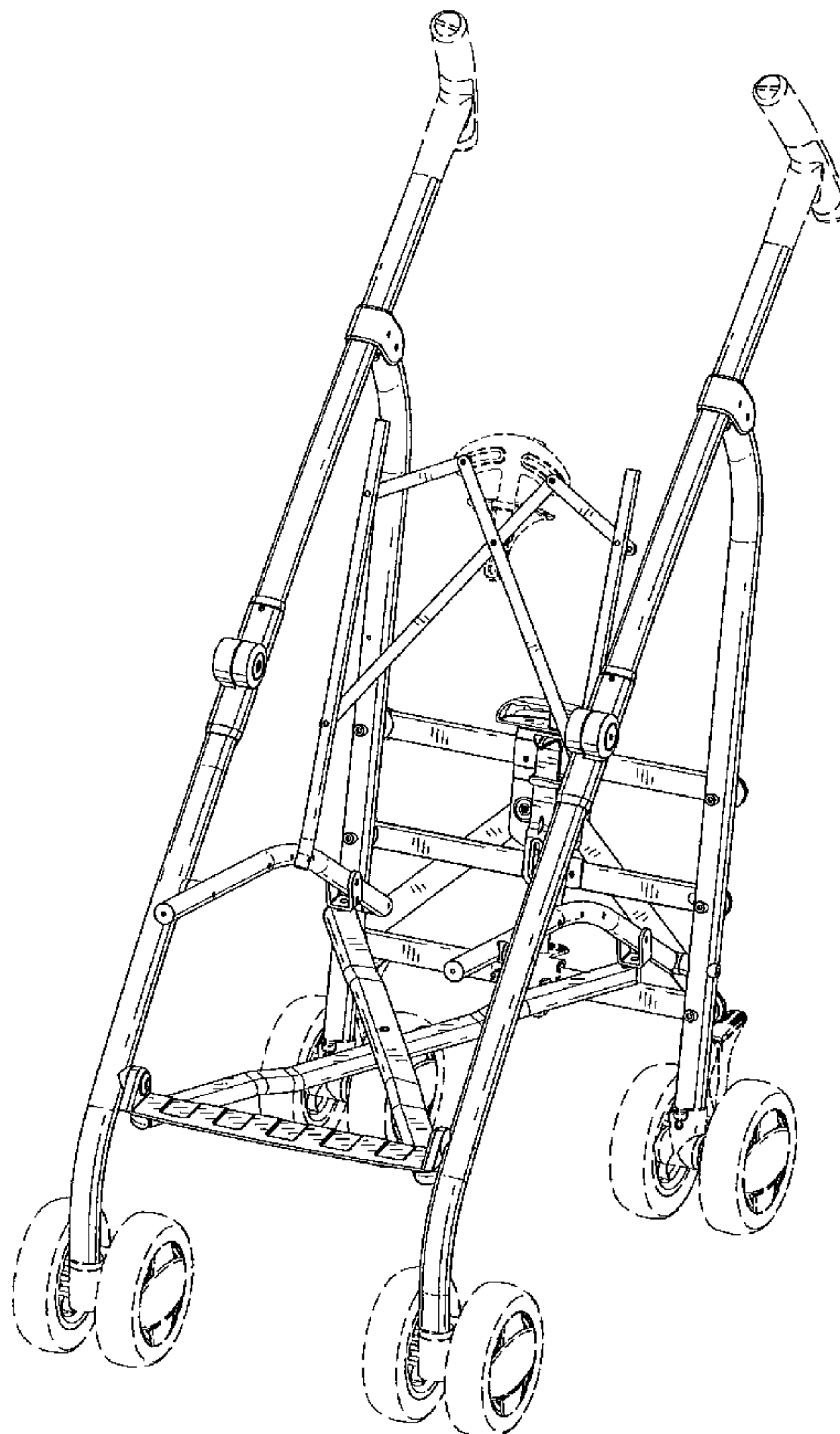
FIG. 5 is a right side elevational view thereof;

FIG. 6 is a top plan view thereof; and,

FIG. 7 is a bottom plan view thereof.

The portions shown in dashed lines in FIGS. 1-7 do not form part of the design.

1 Claim, 5 Drawing Sheets



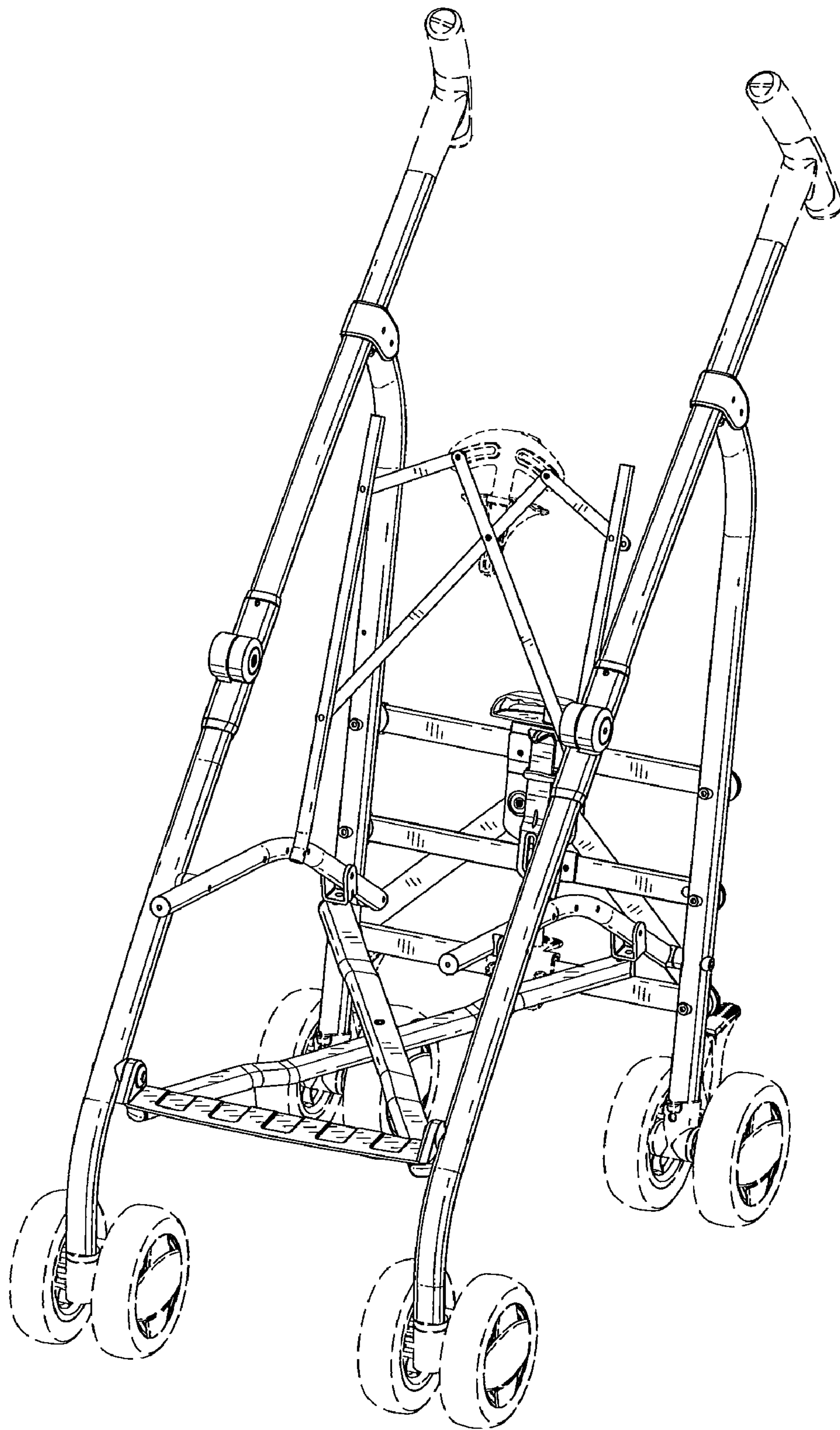


FIG. 1

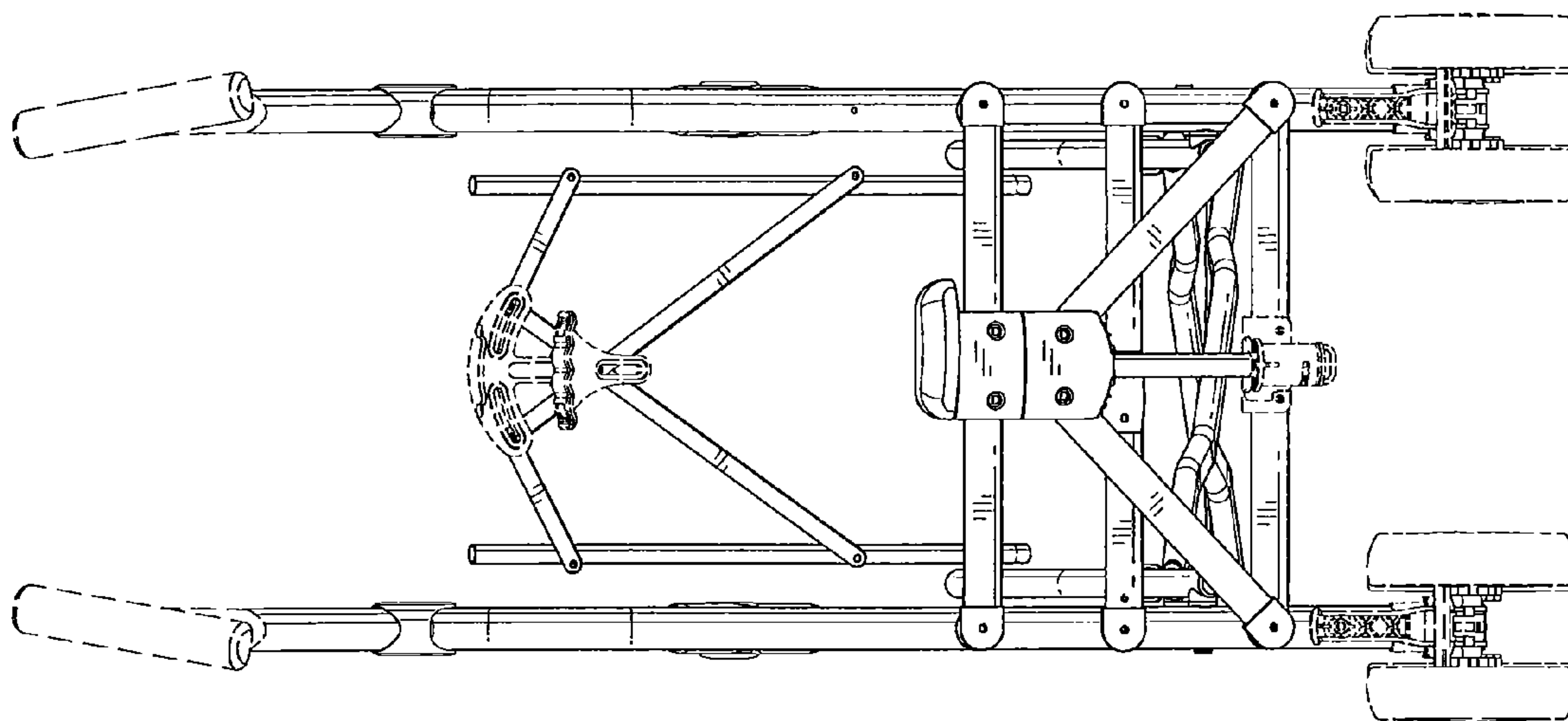


FIG. 3

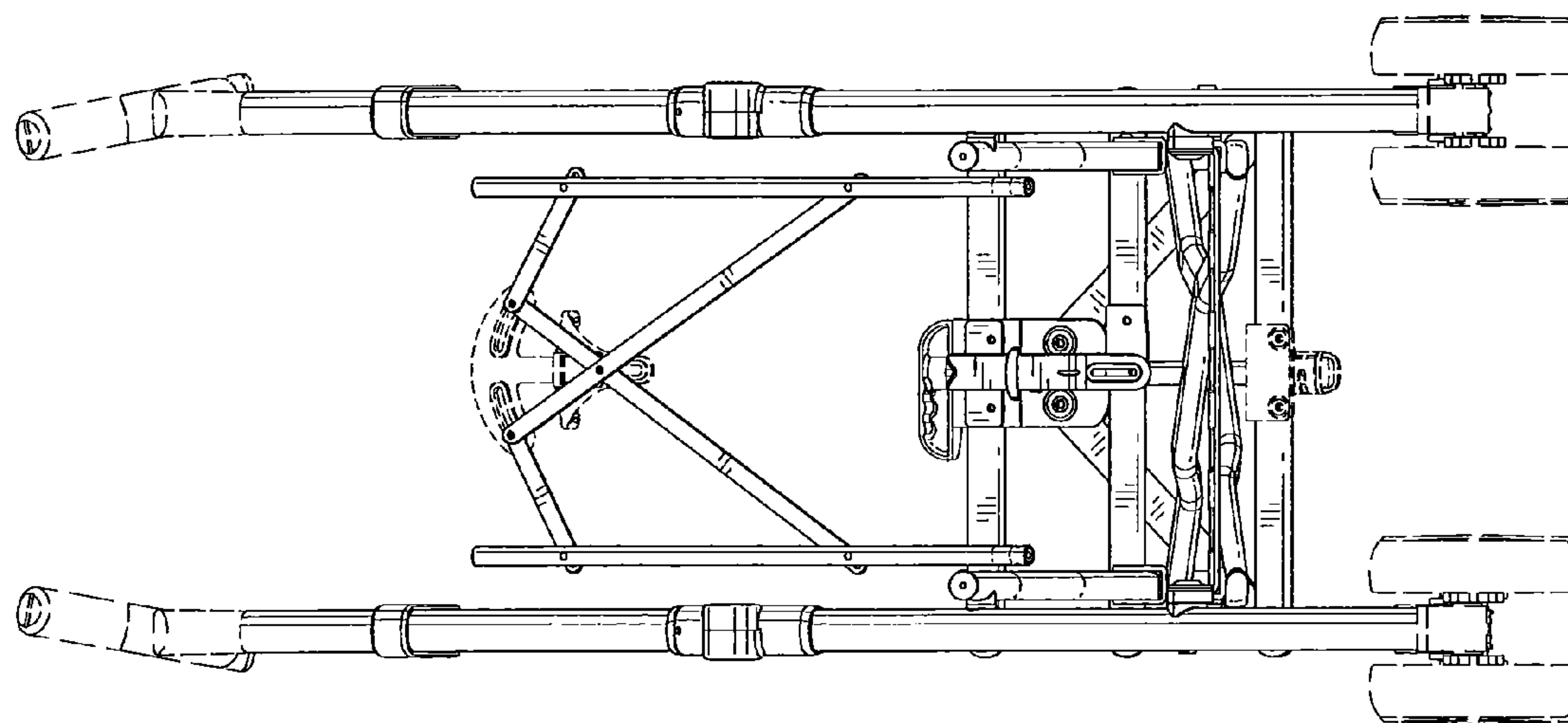


FIG. 2

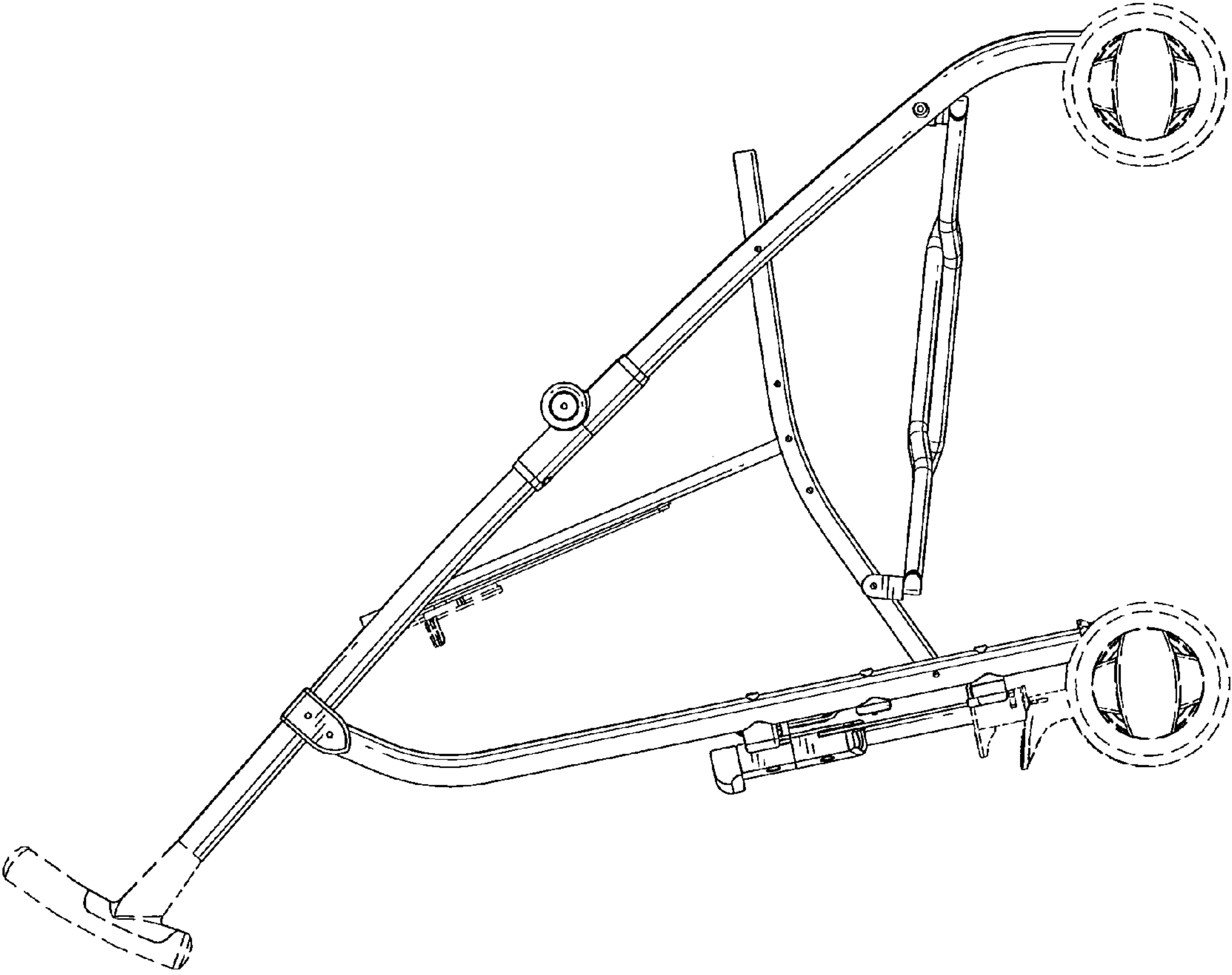


FIG. 4

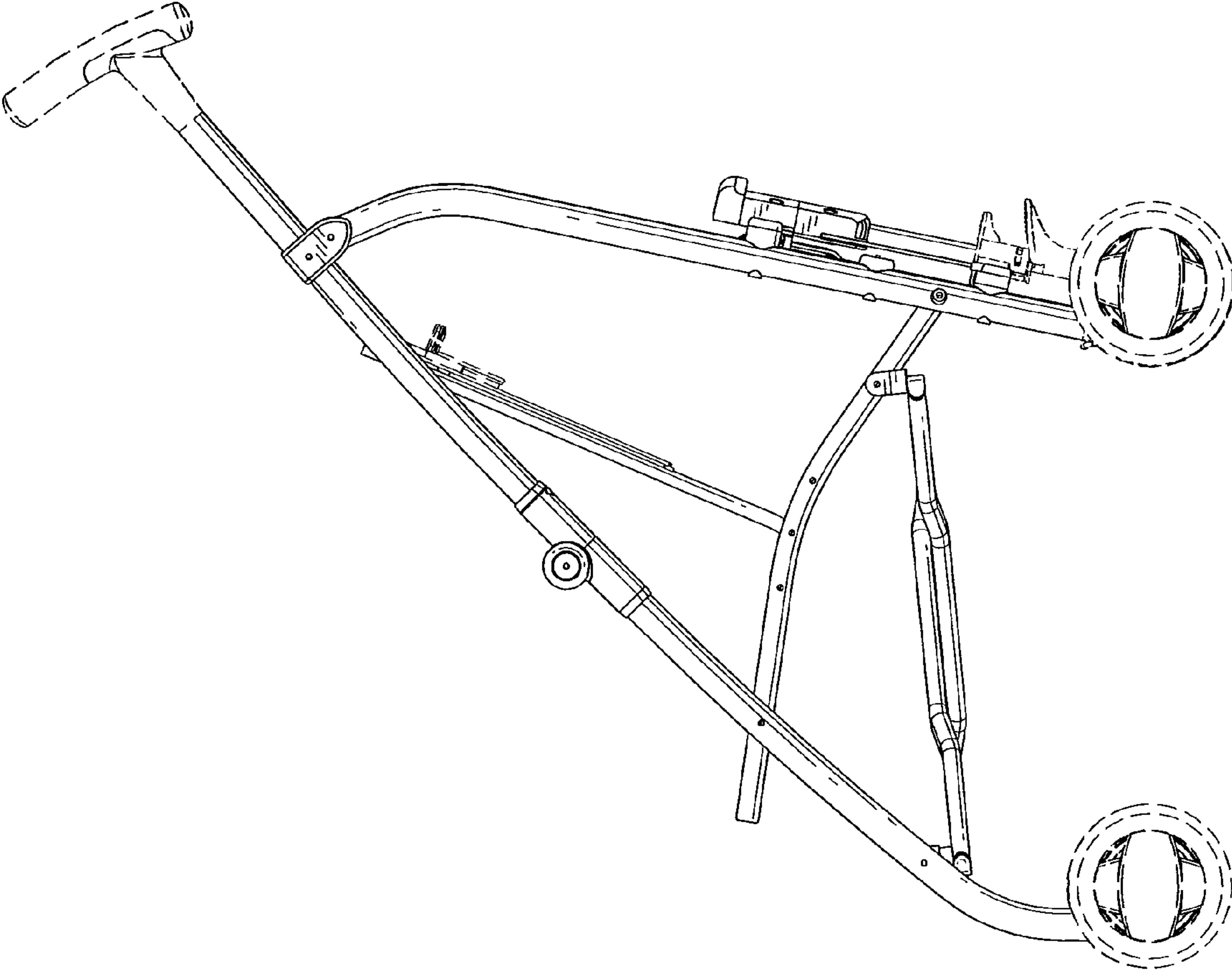


FIG. 5

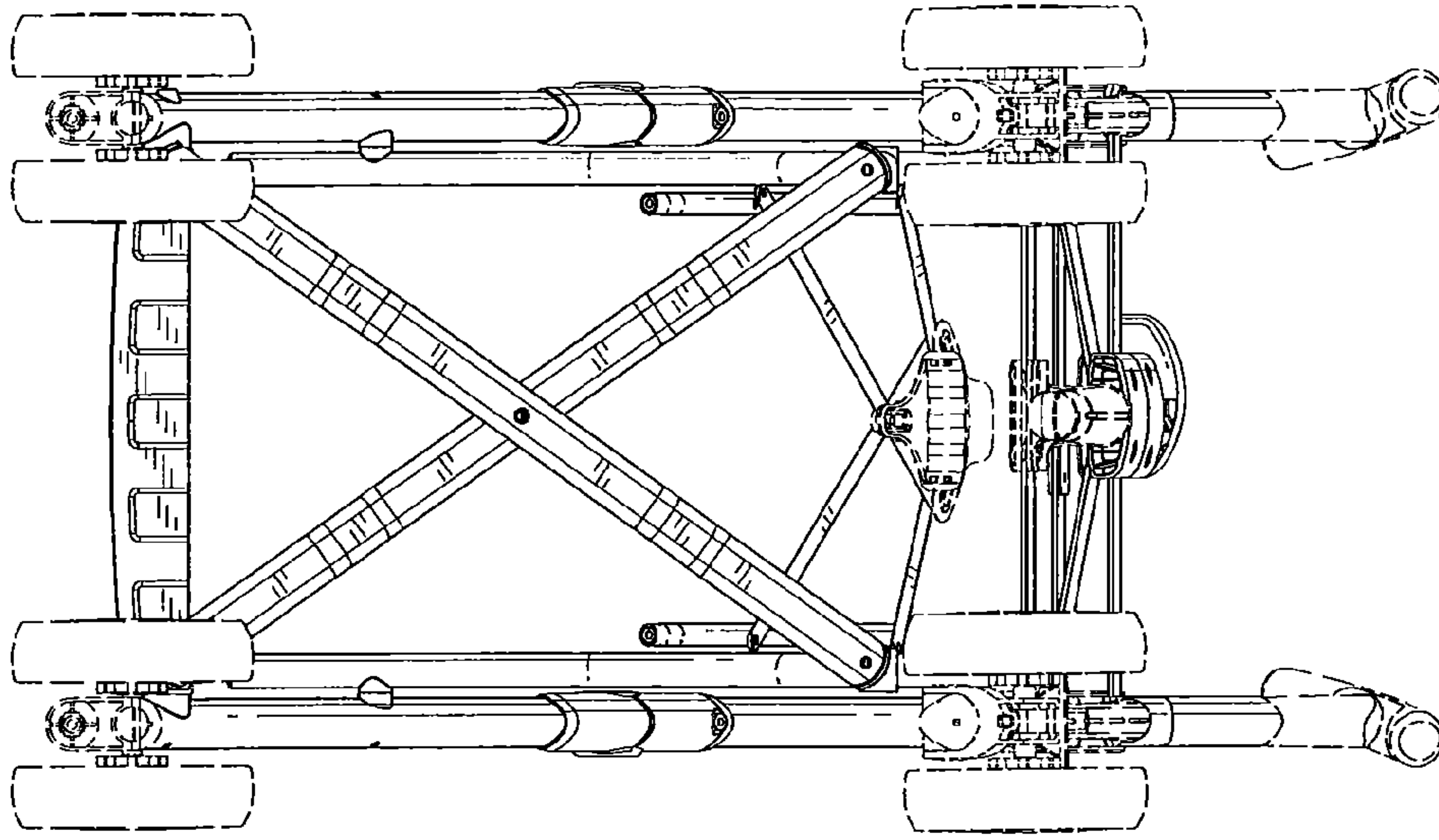


FIG. 7

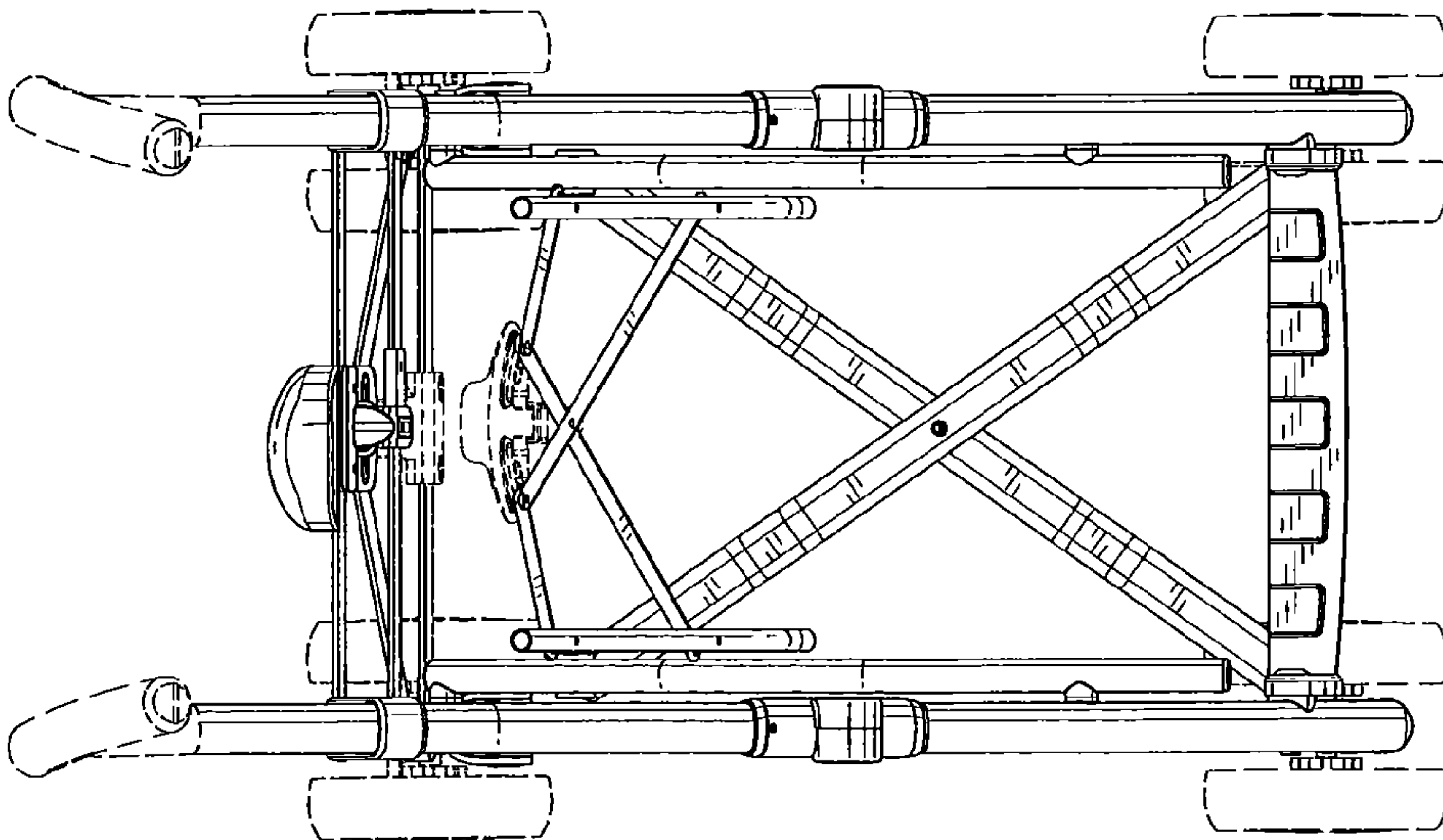


FIG. 6