



US00D616790S

(12) **United States Design Patent**  
**Mear**

(10) **Patent No.:** **US D616,790 S**  
(45) **Date of Patent:** **\*\* Jun. 1, 2010**

(54) **ACCESSORY FOR ATTACHMENT TO A BELT OR STRAP**

(76) Inventor: **Jeffrey Mear**, 605 N. Macquesten Pkwy., Mount Vernon, NY (US) 10552

(\*\*) Term: **14 Years**

(21) Appl. No.: **29/316,666**

(22) Filed: **Oct. 19, 2009**

**Related U.S. Application Data**

(63) Continuation of application No. 11/710,003, filed on Feb. 22, 2007.

(51) **LOC (9) Cl.** ..... **02-07**

(52) **U.S. Cl.** ..... **D11/200**

(58) **Field of Classification Search** ..... D11/1-2, D11/200-201, 206-210, 214-218; 24/163 R, 24/169-171, 173, 177-179, 191, 194-195, 24/197, 200; 280/808; 297/482

See application file for complete search history.

(56) **References Cited**

**U.S. PATENT DOCUMENTS**

D320,110 S \* 9/1991 Hawkins ..... D2/639  
D335,472 S \* 5/1993 Ward ..... D11/201  
D337,075 S \* 7/1993 Powell ..... D11/200  
D343,284 S \* 1/1994 Jaramillo ..... D2/639

D517,946 S \* 3/2006 Berke et al. .... D11/200  
D518,412 S \* 4/2006 Berke et al. .... D11/200  
D518,413 S \* 4/2006 Berke et al. .... D11/200  
D518,756 S \* 4/2006 Berke et al. .... D11/200  
D519,403 S \* 4/2006 Berke et al. .... D11/200  
D519,404 S \* 4/2006 Berke et al. .... D11/200  
D519,405 S \* 4/2006 Berke et al. .... D11/200  
D562,727 S \* 2/2008 Berke et al. .... D11/200

\* cited by examiner

*Primary Examiner*—Ralf Seifert

(74) *Attorney, Agent, or Firm*—Gregory J. Nelson

(57) **CLAIM**

The ornamental design for an accessory for attachment to a belt or strap, as shown and described.

**DESCRIPTION**

FIG. 1 is a perspective view of an accessory for attachment to a belt or strap showing my new design;

FIG. 2 is a top view;

FIG. 3 is a left side view;

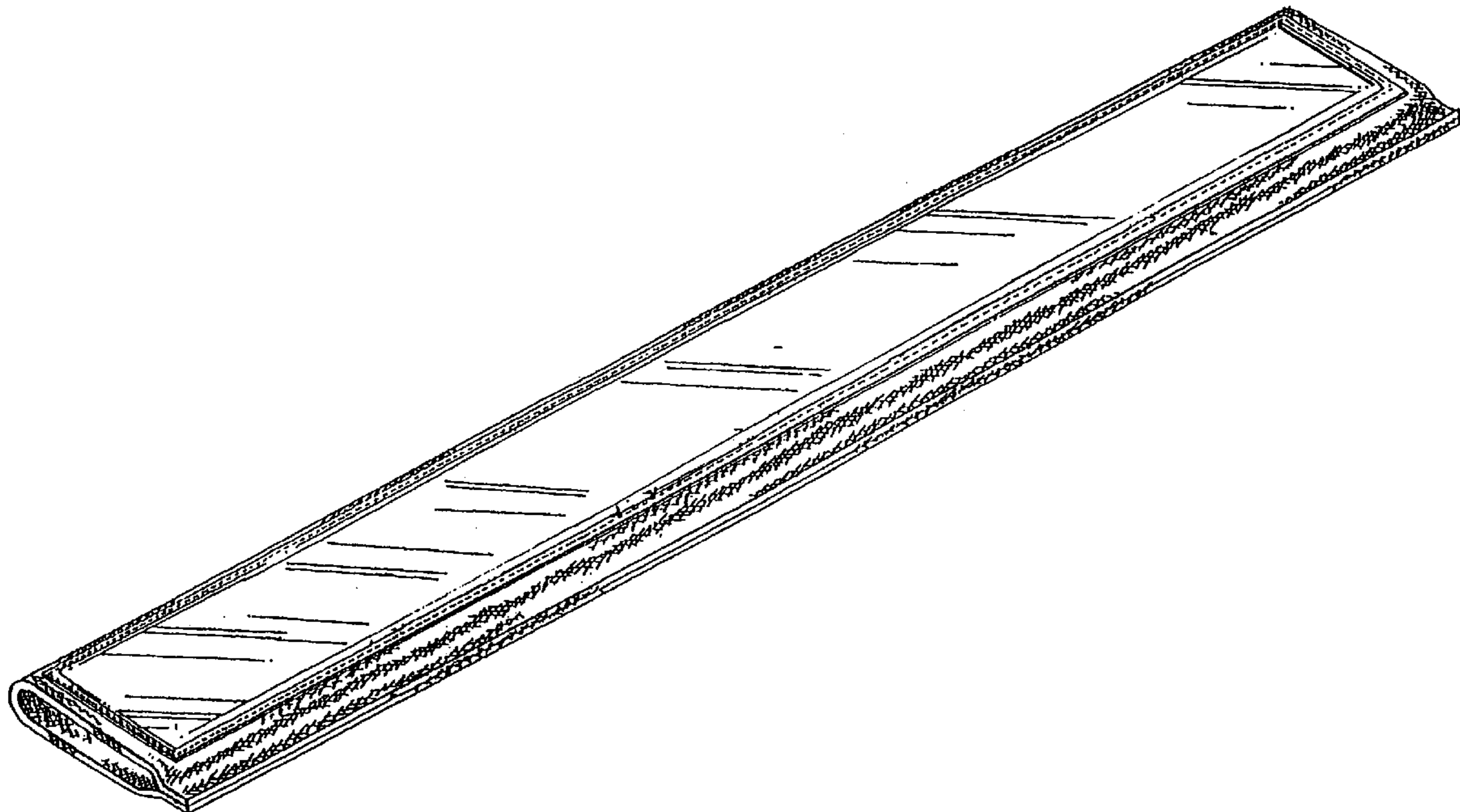
FIG. 4 is a bottom view

FIG. 5 is a right side view;

FIG. 6 is a top end view; and,

FIG. 7 is a bottom end view.

**1 Claim, 2 Drawing Sheets**



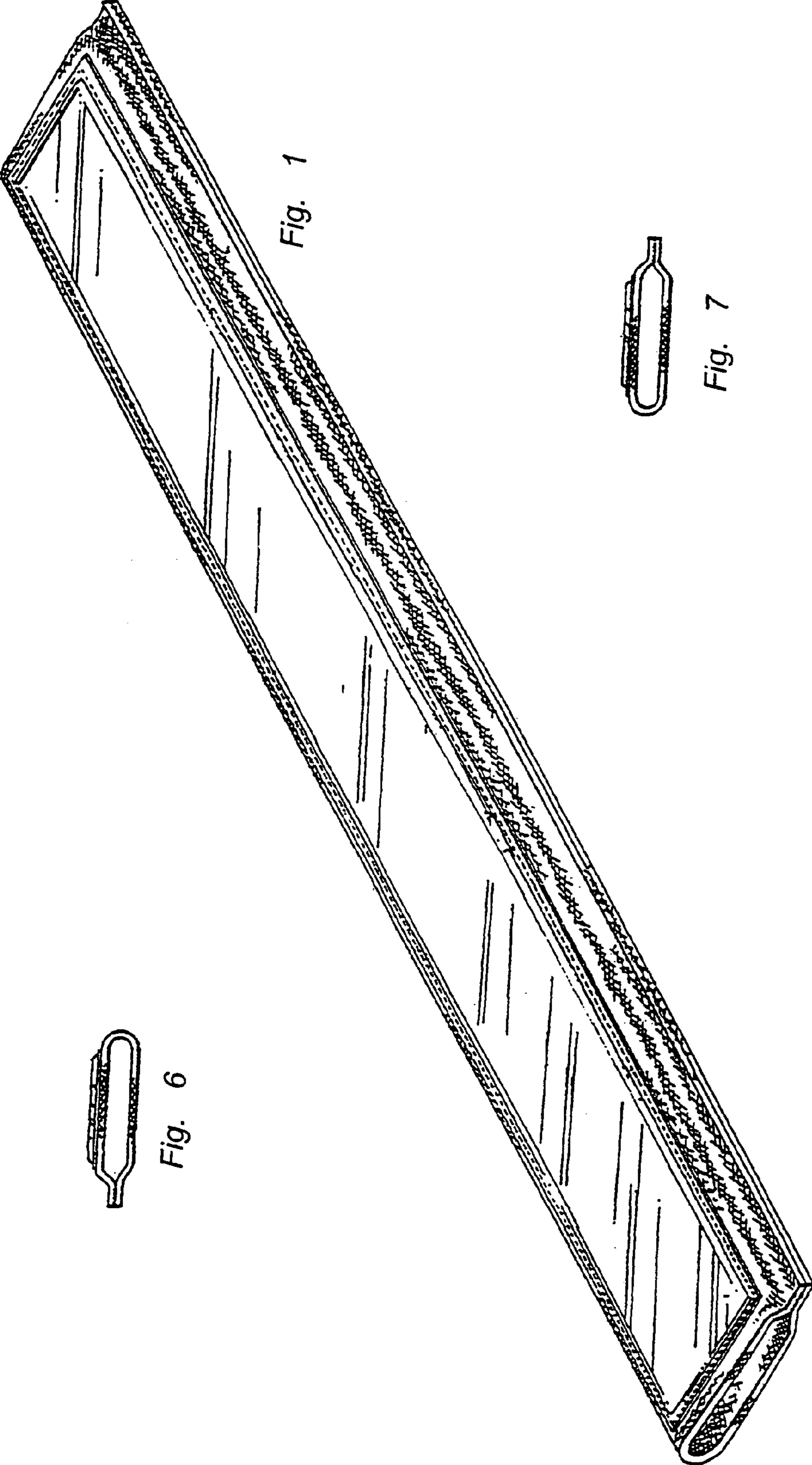


Fig. 1



Fig. 6



Fig. 7



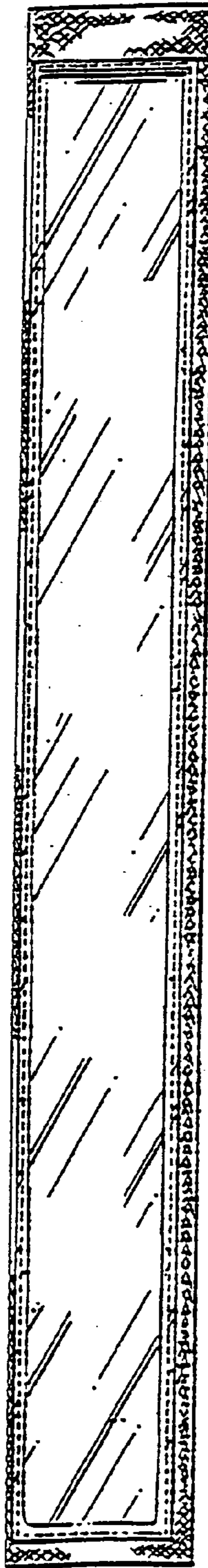


Fig. 2



Fig. 3

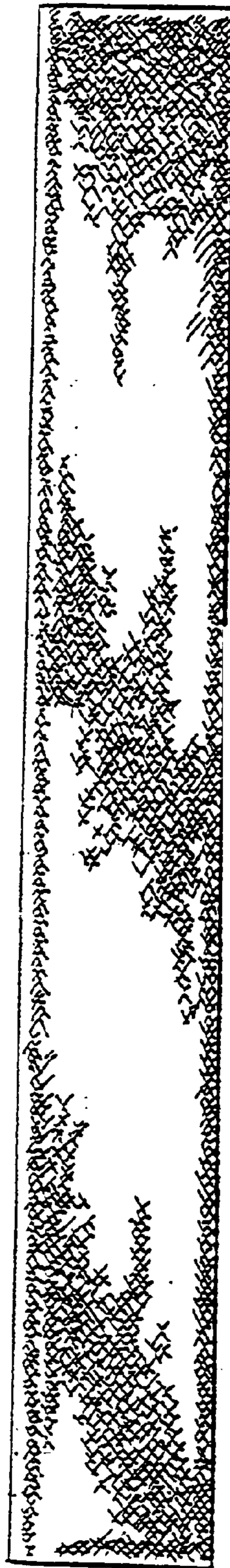


Fig. 4

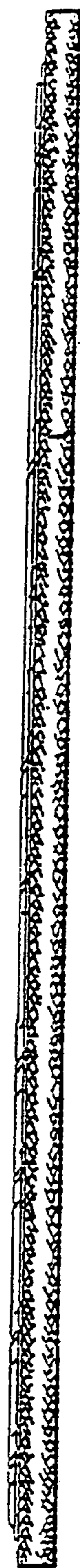


Fig. 5